



PARTS BOOK

- CHASSIS
- BODY

MODEL PD.4104

X-154025

THIS DOCUMENT HAS BEEN PROVIDED IN THE ADOBE PDF FORMAT AS A SERVICE TO THOSE WHO MAY NOT BE ABLE TO LOCATE A HARD COPY OF THIS VINTAGE INFORMATION.

AS COLLECTORS OF ANTIQUE AND CLASSIC CARS, TRUCKS, AND BUSES, WE KNOW THE NEED TO MAKE SURE MANUALS AND OTHER DOCUMENTS ARE READILY AVAILABLE TO COLLECTORS AND RESTORES; HENCE OUR WORK TO MAKE THESE HARD TO FIND DOCUMENTS AVAILBLE AT A REASONABLE PRICE IN THE PDF FORMAT.

ADDITIONAL MANUALS & DOCUMENTS ARE AVAILBLE AT

WWW.DSRWS.COM/CATALOG.ASP

And

WWW.ALFOWNERS.ORG

AND ARE ON OCCASION OFFERED ON EBAY.

MANUALS AND DOCUMENTS ARE ADDED TO OUR LISTING ON A REGULAR BASIS AS THEY BECOME AVAILBLE.

NOTE: WIRING DIAGRAMS AND OTHER CHARTS MAY CONSIST OF 1, 2, OR 3 PAGES IN ORDER TO PUBLISH THEM IN A 8-1/2" x 11" FORMAT.

GM COACH PARTS BOOK

Coach Model
PD-4104

COMMENCING WITH CHASSIS SERIAL No. 001

Replaces X-153002

GMC TRUCK & COACH DIVISION
GENERAL MOTORS CORPORATION
PONTIAC 11, MICHIGAN

TECHNICAL PUBLICATIONS

X-154025

PRINTED IN U. S. A. APRIL 1955
Revised Dec. 1960

Group Index

Front Axle	1
Rear Axle	2
Brakes	4
Clutch	5
Cooling	6
Electrical	7
Engine	8
Frame	11
Fuel	12
Air Suspension	14
Steering	16
Transmission	17
Propeller Shaft	18
Wheels-Bearings	19
Standard Parts	20
Tools	22
Body	25
Air Conditioning	26
Numerical Index	
Alphabetical Index	

GENERAL INFORMATION

This Parts Book contains service parts for the following models.

Model	No. Passengers	Engine Type	Engine Location	Transmission	Wheel-Base (Inches)	Width (Inches)	Year Built	Chassis Numbers	Previous Parts Book
PD 4104	41	6-71 Diesel	Rear Cross	Mechanical	261	96	1953/55	001/	153002

Book is arranged as follows:

Description	Page	Description	Page
Major Group Index.....	1	Replacement Page Service.....	5
General Information.....	2	Illustration Index.....	6
Model Information.....	2	Text.....	7
To Locate Parts Information.....	3	Numerical Index.....	337
Decimal Equivalents & Abbreviations... 4		Alphabetical Index.....	355

Major grouping is the same in all Parts Books, Group Index on page 1 shows sequence of these groups. First page of each group has a black tab for quick reference.

Each major group is divided into subgroups of related parts. Parts in a subgroup are arranged alphabetically with a detail group number for each description. Main part in subgroup also kits or sets appear first and are not arranged alphabetically.

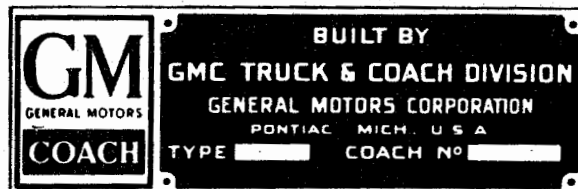
After the detail group number is determined by reference to the illustrations or indexes, the part can be located quickly. The group number is a positive reference—it pinpoints the location of the part.

SPECIAL EQUIPMENT: Most SL information must be determined from loose leaf SL releases. Exceptions are:

- (a) SL's such as Power Steering, Reflectors, etc., which are more or less standard—these parts are listed.
- (b) Parts which normally would not be expected to change with an SL installation, also are listed.

It is important that you have all of the SL's applying to your coach. If you do not have the SL lists shown on your Final Vehicle Record, order them from your Zone or from the factory.

SERIAL NUMBERS: It is important to always specify serial numbers of vehicles when ordering parts. This serial number information is shown on the plate illustrated. The plate is mounted on R. H. side of dash.



(Blank Plates are available - Part of #2204433)

TO LOCATE PARTS INFORMATION

If Noun Name Is Known

Refer to Alphabetical Index in back of book. This index lists all parts in alphabetical sequence by the noun name followed by location or application description.

After the correct noun name is located, turn to the group. For example, Shaft—rear axle, “group 2.0170”. With model and identification information select the part number required.

If the subgroup is known it is not necessary to refer to the Alphabetical Index, it is merely a matter of finding the part alphabetically in the subgroup.

If Noun Name Is Not Known

- (a) Refer to Major Group Index on the first page of book, keeping in mind the assembly for which the part is required, and determine the major group number. For example, if an Axle Shaft is required, the major group number is 2, covering Rear Axle—if a Main Drive Gear is required, the major group is 17, covering Transmission.
- (b) Refer to illustration of the assembly for your particular model. Locate the group in illustration for part required.
- (c) Turn to the group indicated and locate the part required.

If Part Number Is Known

Refer to numerical index which indicates the group in which part appears.

Instructions for Ordering Parts

1. Always show correct part number and name of part.
2. Always show street address and full instructions for shipment.
3. Do not designate quantity by “sets”. State specifically how many parts are wanted.
4. Specify, when necessary, whether parts are right or left handed; painted or unpainted; front or rear. Left and right are determined by facing the same direction as driver. Any part which is designated “Front” is always nearest the front of the vehicle.

Decimal Equivalents

1/64..... .015625	11/32..... .34375	43/64..... .671875
1/32..... .03125	23/64..... .359375	11/16..... .6875
3/64..... .046875	3/8..... .375	45/64..... .703125
1/16..... .0625	25/64..... .390625	23/32..... .71875
5/64..... .078125	13/32..... .40625	47/64..... .734375
3/32..... .09375	27/64..... .421875	3/4..... .750
7/64..... .109375	7/16..... .4375	49/64..... .765625
1/8..... .125	29/64..... .453125	25/32..... .78125
9/64..... .140625	15/32..... .46875	51/64..... .796875
5/32..... .15625	31/64..... .484375	13/16..... .8125
11/64..... .171875	1/2..... .500	53/64..... .828125
3/16..... .1875	33/64..... .515625	27/32..... .84375
13/64..... .203125	17/32..... .53125	55/64..... .859375
7/32..... .21875	35/64..... .546875	7/8..... .875
15/64..... .234375	9/16..... .5625	57/64..... .890625
1/4..... .250	37/64..... .578125	29/32..... .90625
17/64..... .265625	19/32..... .59375	59/64..... .921875
9/32..... .28125	39/64..... .609375	15/16..... .9375
19/64..... .296875	5/8..... .625	61/64..... .953125
5/16..... .3125	41/64..... .640625	31/32..... .96875
21/64..... .328125	21/32..... .65625	63/64..... .984375

Abbreviations

For simplicity of listing, the following abbreviations are used.

<i>Adj.</i>	Adjusting
<i>AR.</i>	As Required
<i>Brg.</i>	Bearing
<i>Blk'hd.</i>	Bulkhead
<i>C.E.</i>	Commutator End
<i>C.L.</i>	Center Line
<i>C.P.</i>	Candle Power
<i>Cond.</i>	Conditioning
<i>Cont'd.</i>	Continued
<i>CTL.</i>	Cut to Length
<i>D.C.</i>	Double Contact
<i>D.E.</i>	Drive End
<i>Dia.</i>	Diameter
<i>D.P.</i>	Dual Performance
<i>D.R.</i>	Double Reduction
<i>Eff.</i>	Effective
<i>Frnt.</i>	Front
<i>Ft.</i>	Foot or Feet
<i>Gal.</i>	Gallon
<i>Hd.</i>	Head
<i>H.D.</i>	Heavy Duty
<i>Hsg.</i>	Housing

<i>Hyd.</i>	Hydraulic
<i>I.D.</i>	Inside Diameter
<i>In.</i>	Inch
<i>Incl.</i>	Includes
<i>L.H.</i>	Left Hand
<i>O.C.</i>	Outside Circumference
<i>O.D.</i>	Outside Diameter
<i>O.S.</i>	Oversize
<i>Pro. Loc.</i>	Procure Locally
<i>Req'd.</i>	Required
<i>R.H.</i>	Right Hand
<i>SBF.</i>	Sold by the Foot
<i>S.C.</i>	Single Contact
<i>S.L.</i>	Special List
<i>Sp.</i>	Speed
<i>Stpd.</i>	Stamped
<i>U.S.</i>	Undersize
<i>V.</i>	Volt
<i>W/</i>	With
<i>W/S.</i>	Windshield
<i>X Mbr.</i>	Crossmember
<i>Yd.</i>	Yard

GM COACH PARTS BOOK

REPLACEMENT PAGE SERVICE

To Keep It Up to Date

The GM Coach parts book replacement page service is designed to help obtain maximum usefulness from your parts book. These replacement pages are released as necessary to keep your Part Book accurate and up to date.

The service is easy to use. Merely remove and destroy the old pages and insert the new ones. A check list is provided to indicate the latest pages.

If Your Parts Book Is Not Up to Date

You will not have all of the new items listed for service.

You may be ordering an old type part on which a new type part is released and will be receiving incorrect material resulting in reordering, returning and delay.

You may delay repair of a vehicle by waiting for parts which you may have in stock under a different part number.

TELEGRAPHIC CODE

Revised telegraph regulations make it possible to specify actual part number digits at code word cost when ordering parts by telegram. Therefore, it is not necessary to use Telegraphic Code when sending part numbers in telegrams.

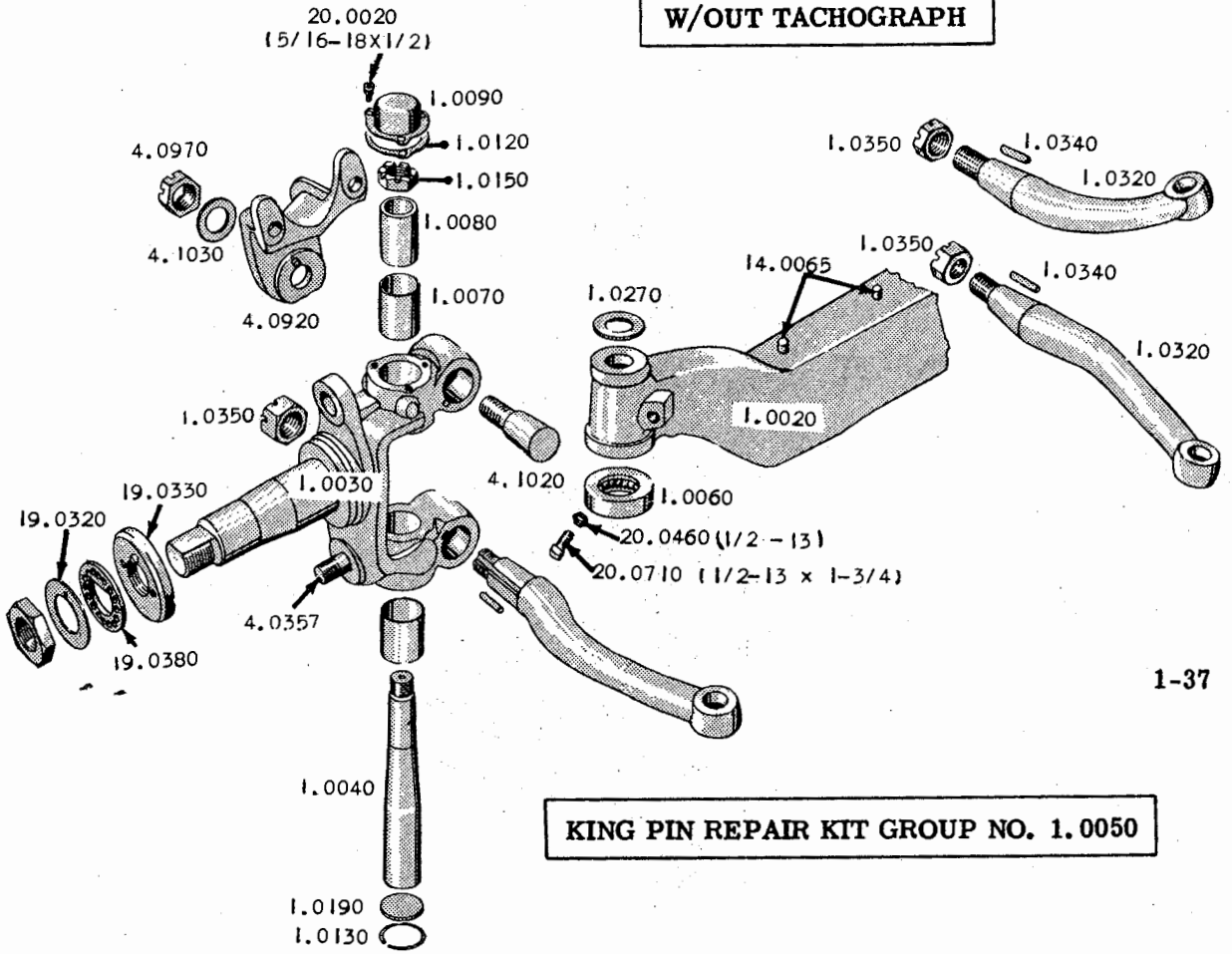
The Code Words for Phrases and Sentences should be used for sending or decoding telegrams.

Code Words for Phrases and Sentences

<i>ansarion</i>	answer by telegram	<i>ornament</i>	increase order to
<i>anserated</i>	answer by mail	<i>ornamental</i>	add to our order
<i>anserine</i>	answer our letter of	<i>ordurous</i>	order was shipped
<i>anserous</i>	answer our telegram of	<i>shagging</i>	what route did you ship
<i>datable</i>	telegram shipping date	<i>shagbard</i>	when and what route did you ship
<i>datary</i>	advise shipping date by return mail	<i>shagged</i>	trace shipment of
<i>duplicative</i>	ship duplicate parts we are returning to you	<i>shallowness</i>	shall we ship by express
<i>furnishment</i>	we can furnish	<i>shamanic</i>	shall we ship by freight
<i>furnishless</i>	we cannot furnish	<i>shampoo</i>	ship by express
<i>furnisher</i>	can you furnish	<i>sharehold</i>	ship by freight
<i>holoblast</i>	hold for instructions our order	<i>sheathless</i>	shipped by freight
<i>infinitant</i>	complete information will be forwarded (by)	<i>sheepfold</i>	shipped express
<i>lethal</i>	refer to our letter of	<i>sheepish</i>	shipped parcel post
<i>lethargic</i>	refer to your letter of	<i>sheepshank</i>	we expect to ship
<i>lethean</i>	disregard our letter of	<i>sheepshead</i>	We expect to ship today or tomorrow
<i>lettsonite</i>	can find no record of letter referred to; send duplicate	<i>shellack</i>	ship parcel post, special delivery
<i>lettuce</i>	see letter following	<i>shellbark</i>	ship parcel post, special handling
<i>mainroyal</i>	quote by mail price on	<i>shelterless</i>	ship first class mail
<i>orator</i>	telegraphic order and confirming order do not agree; which is correct	<i>shemite</i>	air mail
<i>oratorial</i>	telegraphic order is correct	<i>shumal</i>	ship parcel post
<i>oratorio</i>	your order not clear; refer to parts list and telegraph corrected order	<i>telegony</i>	telegraph your answer to our letter of
<i>oratrix</i>	confirming order is correct	<i>teleostean</i>	this answers your telegram of
<i>ormonde</i>	enter order for	<i>tellurate</i>	disregard our telegram of
		<i>telescope</i>	confirming our telephone conversation

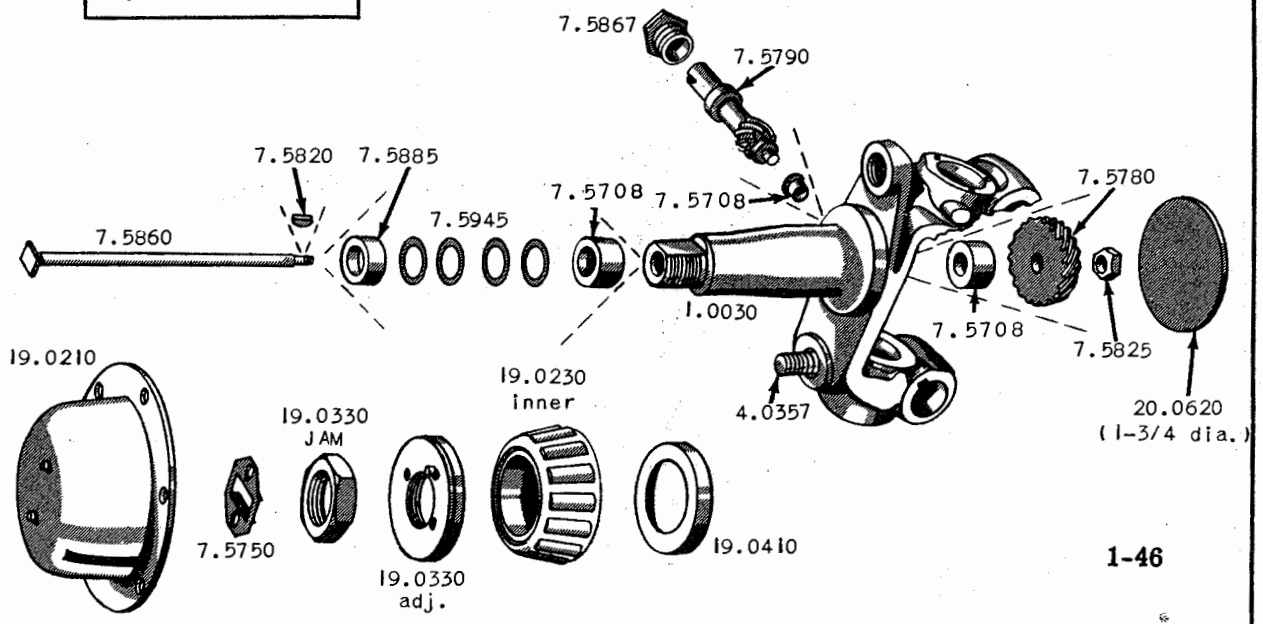
FRONT AXLE

W/OUT TACHOGRAPH

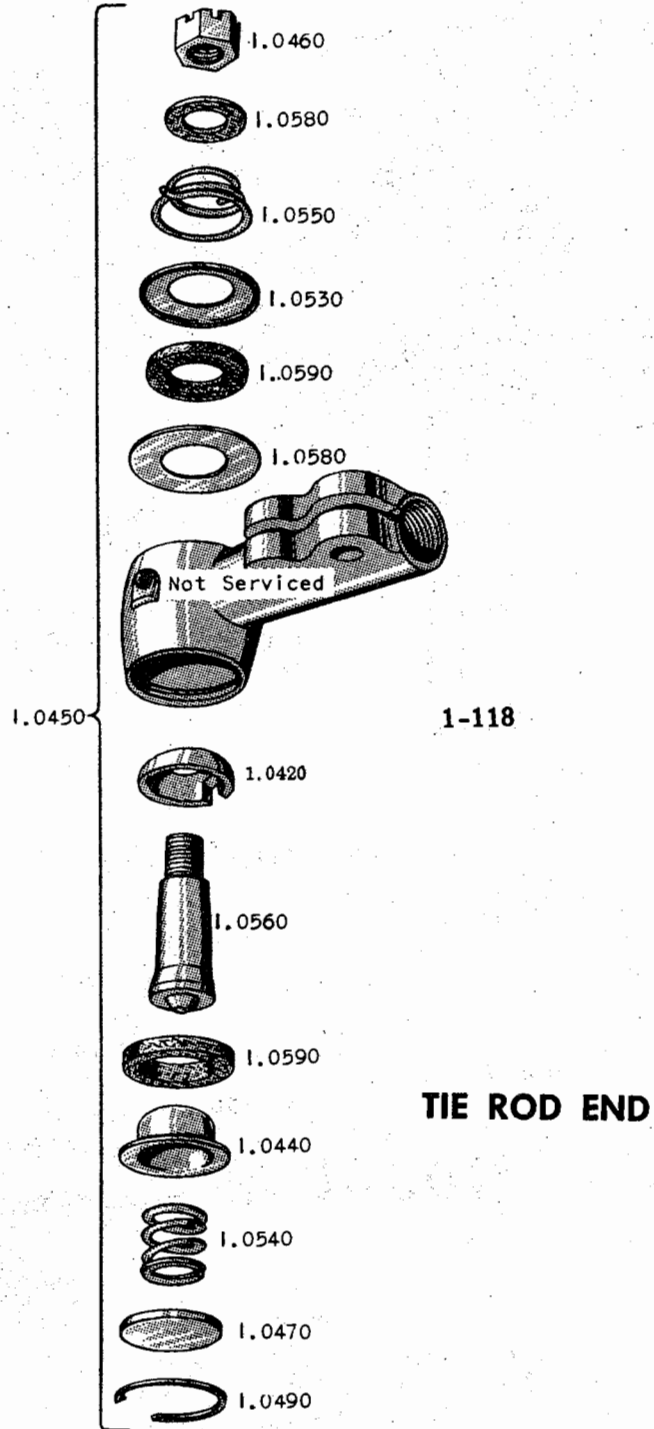


FRONT AXLE

W/TACHOGRAPH



FRONT AXLE



FRONT AXLE ASSEMBLY

NOTE: Front axle assemblies are available for service while in current production, if not available it is necessary to use component parts. Axle assemblies include brakes, hubs and drums unless otherwise indicated.

1.0010	1	2292044	AXLE-front-16910-W-X-1. W/Budd hubs, has king pin incline of 5-1/2 degree and thermoid linings. W/alum shoes.
1.0010	1	2299435	AXLE-front-16910-W-X-2. W/Budd hubs, has king pin incline of 5-1/2 degree and ABB #80 linings. W/alum shoes.
1.0010	1	2299437	AXLE-front-16910-W-X-3. W/Budd hubs, has king pin incline of 5-1/2 degree and Johns-Manville linings. W/alum shoes.
1.0010	1	2306453	AXLE-front-16910-W-X-8. W/Budd hubs, has king pin incline of 8 degree and thermoid linings. W/alum shoes.
1.0010	1	2302113	AXLE-front-16910-W-X-4. W/Budd hubs, has king pin incline of 8 degree and thermoid linings. W/alum shoes. Use w/power strg. SL-11797 Div D.
1.0010	1	2305143	AXLE-front-16910-W-X-6. W/Budd hubs, has king pin incline of 8 degree and ABB linings. W/alum shoes. Use w/power strg. SL-11797 Div. F.
1.0010	1	2305142	AXLE-front-16910-W-X-7. W/Budd hubs, has king pin incline of 8 degree and Johns-Manville linings. W/alum shoes. Use w/power strg. SL-11797 Div. E.
1.0010	1	2342471	AXLE-front-16910-W-X-15. W/Budd hubs, has king pin incline of 8 degree and ABB linings. W/alum shoes. SL-11797 Div. L.
1.0010	1	2343344	AXLE-front-16910-W-X-16. W/Budd hubs, has king pin incline of 8 degree and thermoid linings. W/alum shoes. SL-11797 Div. M.

NOTE: The preceding 9 axles are used prior to Chassis 1759.

1.0010	1	2352770	AXLE-front-16910-W-X-9. W/Budd hubs, has king pin incline of 8 degrees and thermoid linings & steel brake shoes. Eff w/chassis 1759.
1.0010	1	2352769	AXLE-front-16910-W-X. W/Budd hubs, has king pin incline of 8 degrees and thermoid linings & steel brake shoes. For use w/o tachograph & w/power steering. SL-12448-Div. E.
1.0010	1	2358824	AXLE-front-16910-W-X. W/Budd hubs, has king pin incline of 8 degrees and thermoid linings & steel shoes. For use w/tachograph & w/power steering. SL-12448-Div. F.
1.0010	1	2360314	AXLE-front-16910-W-X. W/Budd hubs & Tyson brgs. Has king pin incline of 8 degrees. W/Johns Manville #1112 linings & steel brake shoes. For use w/o tachograph & w/power steering. SL-12448-Div. G.
1.0010	1	2360315	AXLE-front-16910-W-X. W/Budd & Tyson brgs. Has king pin incline of 8 degrees. W/Johns Manville linings #1112 & steel brake shoes. For use w/tachograph & power steering. SL-12448-Div. H.
1.0010	1	2360346	AXLE-front-16910-W-X. W/Budd hubs, has king pin incline of 8 degrees. W/Johns-Manville #1250 linings & steel brake shoes. For use w/tachograph & power steering. SL-12448-Div. J.
1.0010	1	2360875	AXLE-front-16910-W-X. W/Budd hubs, has king pin incline of 8 degrees. W/ABB693-9 linings & steel brake shoes. For use w/tachograph & power steering. SL-12448-Div. K.
1.0010	1	2373690	AXLE-front-16910-W-X-34. W/Budd hubs, has king pin incline of 8 degrees. W/Johns Manville #1250 brake lining & steel brake shoes. For use w/tachograph & power steering. SL-12448. Div. L.
1.0010	1	2374410	AXLE-front-16910-W-X-35. W/Budd hubs, has king pin incline of 8 degrees. W/ABB693-9 lining & steel brake shoes.
1.0010	1	2406478	AXLE-front-16910-W-X-37, has king pin incline of 8 degrees. W/Johns-Manville #1112 brake linings and steel brake shoes. For use w/o tachograph but w/power steering. SL-12898-Div. A.

FRONT AXLE CENTER

1.0020	1	2298251	CENTER-front axle-tubular. Incl. dowel pin. W/axles having king pin incline of 5-1/2 degree.
1.0020	1	2303351	CENTER-front axle-tubular. Incl. dowel pin. W/axles having king pin incline of 8 degree. Std. & SL-11797-Div. D-E-F.

STEERING KNUCKLENOTE: Steering knuckles incl. wheel brg. nut & bushings.

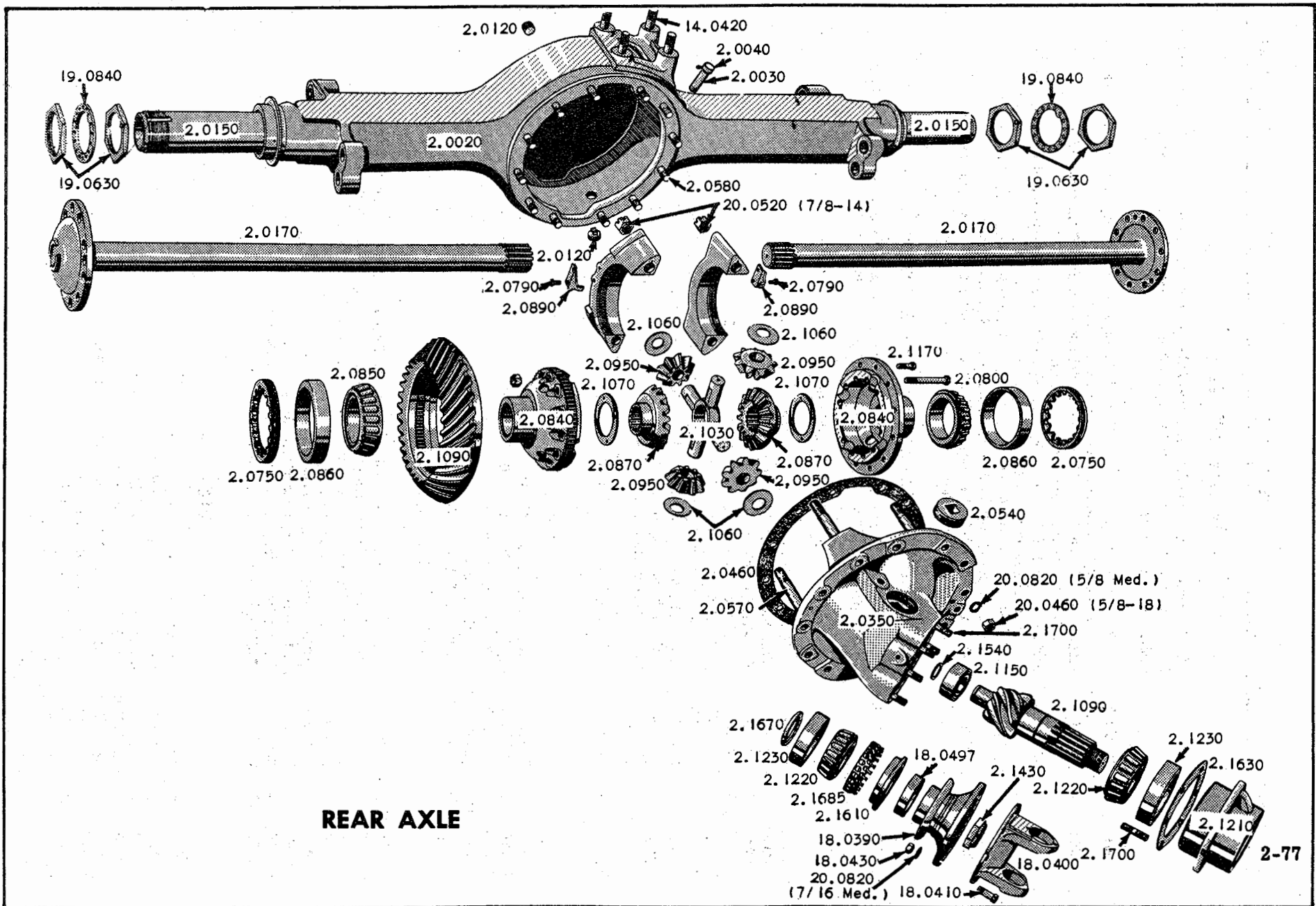
1.0030	1	2298252	KNUCKLE-steering-RH. W/axles having king pin incline of 5-1/2 degree.
1.0030	1	2298253	KNUCKLE-steering-LH. W/axles having king pin incline of 5-1/2 degree.
1.0030	1	2303352	KNUCKLE-steering-RH. W/axles having king pin incline of 8 degree. Std. & SL-11797-Div. D-E-F, 12448-Div. F.
1.0030	1	2303353	KNUCKLE-steering-LH. W/axles having king pin incline of 8 degree. Std. & SL-11797-Div. D-E-F.
1.0030	1	2339908	KNUCKLE-steering-LH. Includes tachometer drive bushing, shown in Group 7.5708 w/axle having king pin incline of 8 degree-SL-11797-Div. L-M, SL-12448-Div. F.
1.0040	2	2253219	PIN-king steering knuckle-used w/plug
1.0050	1	2254366	KIT-repair steering knuckle king pin-used w/plug in knuckle.
1.0060	2	445655	BEARING-thrust steering knuckle-stpd. #182.
1.0070	4	2265810	BUSHING-steering knuckle.
1.0080	2	2253220	BUSHING-steering knuckle king pin.
1.0090	2	2237499	CAP-steering knuckle.
1.0120	2	2303371	GASKET-steering knuckle cap-repl. 2237500, 2270710.
1.0130	2	274867	LOCK-steering knuckle expansion plug-repl. 2270710.
1.0150	2	2311251	NUT-steering knuckle king pin-1-1/8-12. Repl. 666426.
1.0190	2	2270709	PLUG-expansion steering knuckle-used w/lock ring.
1.0240	2	2217215	SHIM-steering knuckle.
1.0270	AR	2217223	WASHER-steering knuckle spacing-.093.
1.0270	AR	2217222	WASHER-steering knuckle spacing-.125.
1.0270	AR	2217221	WASHER-steering knuckle spacing-.156.

STEERING ARM

1.0320	1	2298266	ARM-steering-w/power strg.
1.0320	1	2301828	ARM-steering-w/2306453, 2352770 axles. W/o power steering.
1.0320	1	2298268	ARM-steering-RH. Tie rod.
1.0320	1	2298269	ARM-steering-LH. Tie rod.
1.0340	3	2357978	KEY-steering arm-w/drag link & tie rod arms.
1.0350	2	249127	NUT-steering arm-w/tie rod arm.
1.0350	1	2298267	NUT-steering arm-w/drag link arm.
1.0395	1	2053010	WASHER-steering arm nut.

STEERING TIE ROD

1.0400	1	2299424	ROD-tie steering less ends.
1.0420	2	9040420	BEARING-tie rod end ball stud.
1.0425	4	271749	BOLT-steering tie rod clamp
1.0440	2	2175231	CUP-tie rod end ball stud spring.
1.0450	1	2175225	END-tie rod-RH. Incl. stud, seat, springs, washers etc. Repl. 2333551.
1.0450	1	2175226	END-tie rod-LH. Incl. stud, seat, springs, washers etc. Repl. 2333552.
1.0460	2	427646	NUT-tie rod end ball stud-7/8-14. Sstd.
1.0470	2	2175233	PLUG-tie rod end.
1.0490	2	2175234	RING-lock, tie rod end plug.
1.0530	2	648190	SHIELD-tie rod end dust cover-incl. spring.
1.0540	2	2175230	SPRING-tie rod end ball stud adjusting.
1.0550	2	648189	SPRING-tie rod end cover.
1.0560	2	9040419	STUD-ball, tie rod end.
1.0580	2	2175235	WASHER-tie rod end dust cover-rubber.
1.0580	2	2175236	WASHER-tie rod end dust cover-steel.
1.0590	2	2175232	WASHER-tie rod end oil retaining-felt.



REAR AXLE

REAR AXLE

REAR AXLE ASSEMBLY

NOTE: Rear axle assemblies are available for service while in current production, If not available it is necessary to use component parts. All axle assemblies incl. brakes, hubs & drums.

2.0010	1	2292045	AXLE-rear-4-1/8-1. 59600-W-X-1. W/Budd hubs & thermoid linings-less brake chambers & slack adjusters. W/alum. shoes.
2.0010	1	2299436	AXLE-rear-4-1/8-1. 59600-W-X-2. W/Budd hubs & ABB linings-less brake chambers & slack adjusters. W/alum. shoes.
2.0010	1	2299438	AXLE-rear-4-1/8-1. 59600-W-X-3. W/Budd hubs & Johns-Manville linings-less brake chambers & slack adjusters. W/alum. shoes.
2.0010	1	2306424	AXLE-rear-3-5/9-1. 59600-W-X-3. W/Budd hubs & Johns-Manville linings-less brake chambers & slack adjusters. W/alum. shoes.
2.0010	1	2292046	AXLE-rear-3-5/9-1. 59600-W-X-1. W/Budd hubs & thermoid linings-less brake chambers w/alum. shoes.

NOTE: The preceding 5 axles are used prior to chassis 1759.

2.0010	1	2351132	AXLE-rear-4-1/8-1. 59600-W-X-6. W/Budd hubs & thermoid lining. Less brake chambers. W/fabricated steel shoes. Eff. w/1759.
--------	---	---------	--

REAR AXLE HOUSING

2.0020	1	2298283	HOUSING-rear axle-59600-w/axles prior to 1759.
2.0020	1	2358223	HOUSING-rear axle. Eff. w/1759.
2.0030	1	2267165	BREATHER-axle housing.
2.0110	2	3714775	GASKET-axle housing plug-leather.
2.0110	2	286089	GASKET-axle housing plug-copper.
2.0115	1	2217875	NIPPLE-axle housing breather-3/8 pipe thd. W/3/8 ID. In housing.
2.0120	1	2309473	PLUG-axle housing-drain. 3/4-14. Repl. 2256911.
2.0120	1	143968	PLUG-axle housing-filler. 3/4-14.
2.0150	2	2238505	SLEEVE-axle housing-58470-W-58460-W-58473-W-58464-W-59039-W axles 59146 W axles.
2.0160	1	649329	SPRING-axle housing breather.

REAR AXLE SHAFT

2.0170	1	2301848	SHAFT-rear axle-RH. 59600-W/axles.
2.0170	1	2301849	SHAFT-rear axle-LH. 59600-W/axles.
2.0220	4	2322610	GASKET-axle shaft.
2.0310	20	2298304	STUD-axle shaft.
2.0330	8	2161708	WEDGE-dowel, axle shaft flange

DIFFERENTIAL CARRIER

2.0340	1	2283043	CARRIER-differential-complete-4-1/8-1. 59600-W/axles. Repl. 2298281.
2.0340	1	2283041	CARRIER-differential-complete-3-5/9-1. 59600-W/axles. Repl. 2298282.
2.0350	1	2220877	CARRIER-differential, less diff.-Incl. caps. 59600-W/axles.
2.0430	4	3686580	DOWEL-differential brg. cap.
2.0460	1	2220866	GASKET-differential carrier-to housing.
2.0540	1	2220888	PLUG-diff. carrier-inspection hole. 2-1/2-16.
2.0570	4	2221224	STUD-differential brg. cap-7/8-14-1-14 x 6-7/8.
2.0580	12	2269448	STUD-differential carrier-short.

DIFFERENTIAL

2.0750	2	2030173	ADJUSTER-differential bearing.
2.0790	4	301257	BOLT-diff. brg. adjuster lock.
2.0800	12	2277311	BOLT-differential case-5/8-18 x 4-25/32.
2.0810	4	2221238	BUSHING-differential pinion.
2.0840	1	2277310	CASE-differential-less gears-repl. 2221235.
2.0850	2	144489	CONE-differential bearing-stpd. #687.
2.0860	2	106701	CUP-differential bearing-stpd. #672.
2.0870	2	2208992	GEAR-side, differential.
2.0890	2	2166092	LOCK-diff. brg. adjuster.

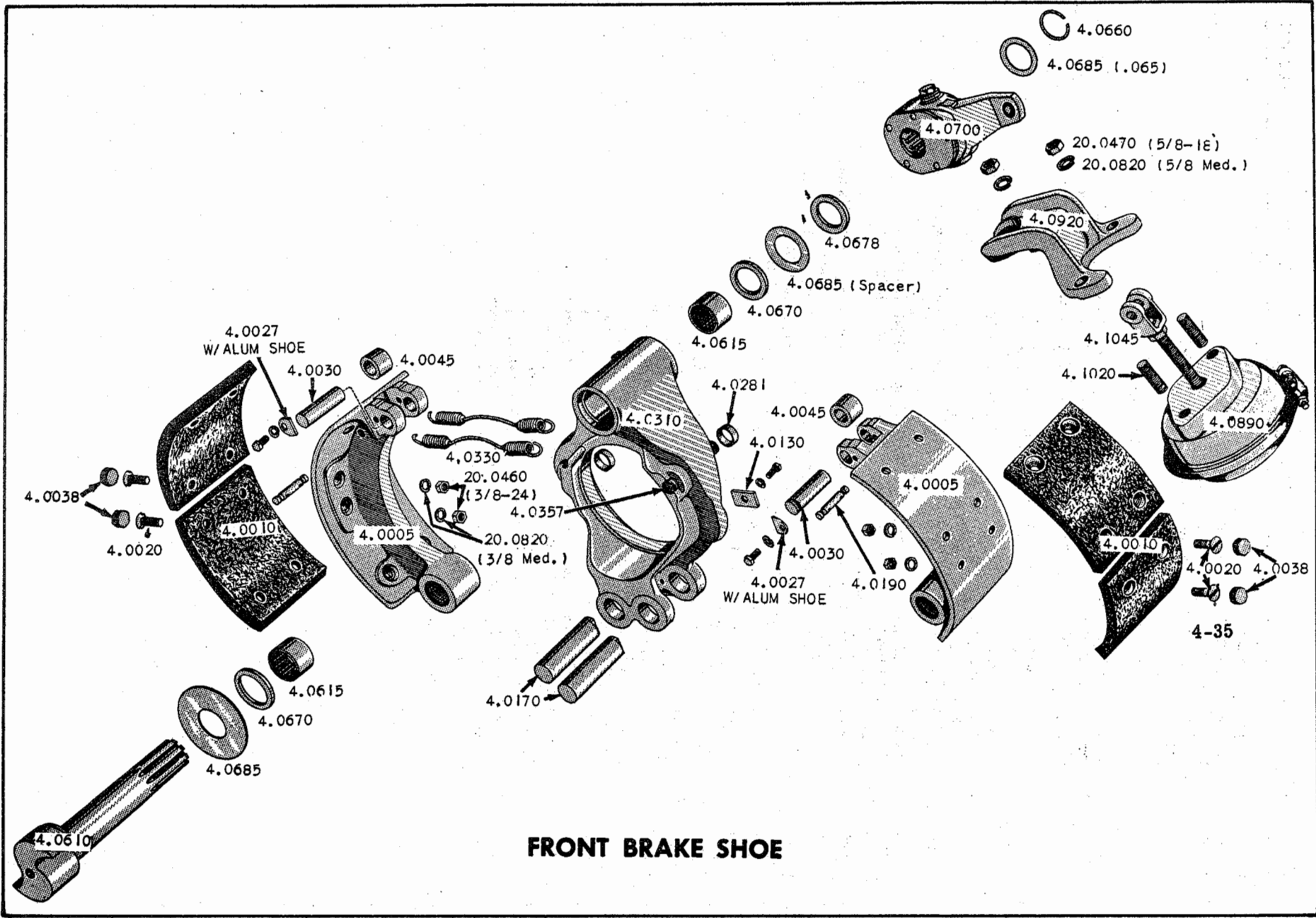
2.0950	4	2221236	PINION-differential-incl. bushing.
2.1030	1	2208989	SPIDER-differential.
2.1060	4	2208991	WASHER-thrust, diff. pinion.
2.1070	2	2306496	WASHER-thrust, diff. side gear-repl. 2208993.

DRIVE GEAR AND PINION

2.1090	1	2266469	GEAR-bevel drive w/pinion-4-1/8-1. 59039-W, 59600-W/axles.
2.1090	1	2266467	GEAR-bevel drive w/pinion-3-5/9-1. 59039-W, 59600-W/axles.
2.1090	1	2266468	GEAR-bevel drive w/pinion-3-7/8-1. 59600/W axles.

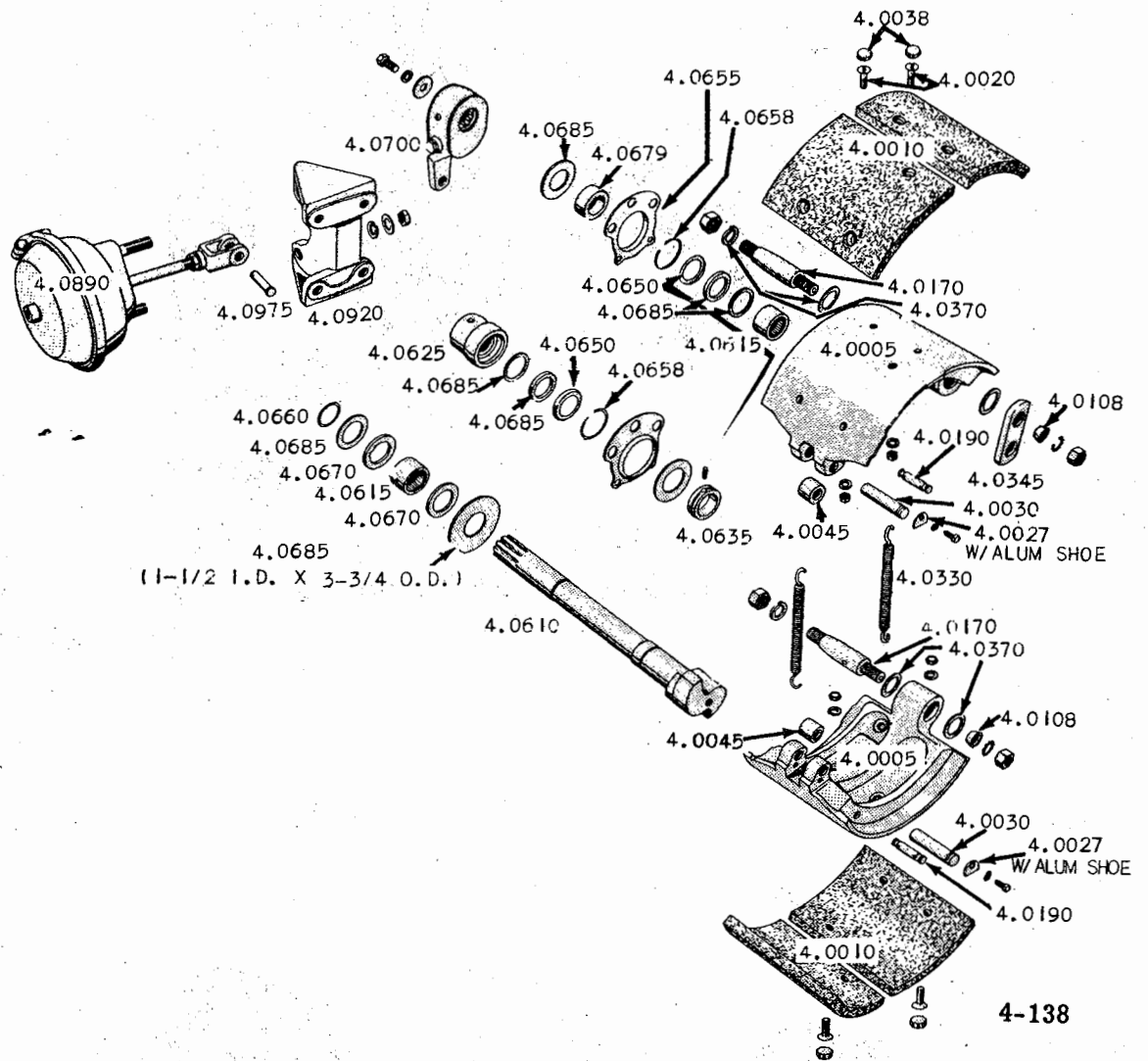
NOTE: See Group 2.1495 for pinion-less gear.

2.1150	1	7450004	BEARING-pinion shaft-rear, stpd. #U-5208-TM.
2.1170	12	2030180	BOLT-drive gear.
2.1210	1	2232424	CAGE-pinion shaft brg.-Incl. cups.
2.1220	1	443593	CONE-pinion shaft bearing-forward-inner. Stpd. #H-414242.
2.1220	1	113249	CONE-pinion shaft bearing-forward-outer. Stpd. #641.
2.1230	1	443594	CUP-pinion shaft bearing-forward-inner. Stpd. #H-414210.
2.1230	1	145403	CUP-pinion shaft bearing-forward-outer. Stpd. #633.
2.1430	1	2221248	NUT-pinion shaft.
2.1495	1	2266472	PINION-bevel drive-less gear. 3-5/9-1. 59039-W, 59600-W/axles.
2.1495	1	2266473	PINION-bevel drive-less gear. 3-7/8-1. 59600-W/axle.
2.1495	1	2266474	PINION-bevel drive-less gear. 4-1/8-1. 59039-W, 59600-W/axle.
2.1540	1	2303305	RING-lock pinion shaft brg.-W/rear brg. Repl. 2266481.
2.1610	1	2317696	SEAL-oil, pinion shaft brg.-for wiper see Group 18.0497.
2.1630	AR	2232426	SHIM-pinion shaft brg. cage-.005.
2.1630	AR	2232427	SHIM-pinion shaft brg. cage-.010.
2.1630	AR	2232428	SHIM-pinion shaft brg. cage-.020.
2.1670	AR	2243602	SPACER-pinion shaft brg.-.187. W/forward brg.
2.1670	AR	2243603	SPACER-pinion shaft brg.-.188. W/forward brg.
2.1670	AR	2243604	SPACER-pinion shaft brg.-.190. W/forward brg.
2.1670	AR	2243605	SPACER-pinion shaft brg.-.192. W/forward brg.
2.1670	AR	2243606	SPACER-pinion shaft brg.-.194. W/forward brg.
2.1670	AR	2243607	SPACER-pinion shaft brg.-.196. W/forward brg.
2.1670	AR	2243608	SPACER-pinion shaft brg.-.198. W/forward brg.
2.1670	AR	2243609	SPACER-pinion shaft brg.-.200. W/forward brg.
2.1670	AR	2243610	SPACER-pinion shaft brg.-.201. W/forward brg.
2.1670	AR	2243611	SPACER-pinion shaft brg.-.215. W/forward brg.
2.1670	AR	2243612	SPACER-pinion shaft brg.-.229. W/forward brg.
2.1685	1	2249452	SPACER-pinion shaft brg. oil seal-perforated-steel.
2.1700	8	2230675	STUD-pinion shaft brg. cage-1/2-13-20 x 2-1/4.
2.1760	1	2068673	WASHER-pinion shaft nut.



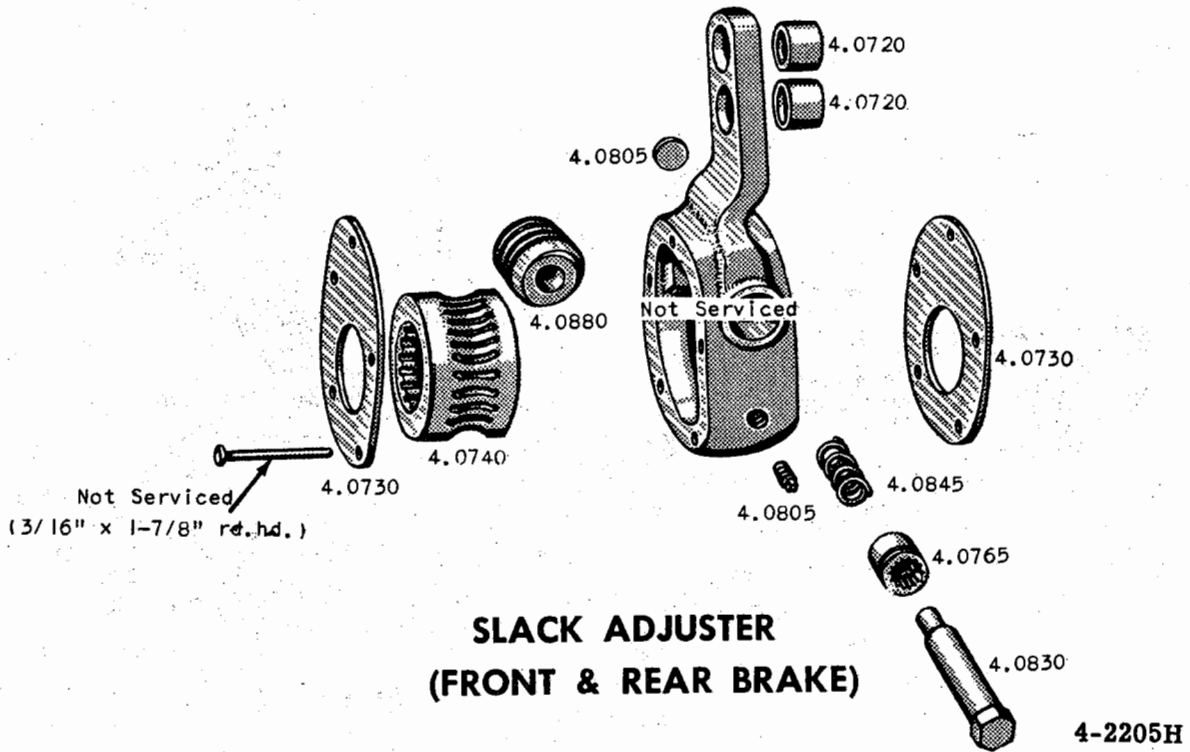
FRONT BRAKE SHOE

BRAKES

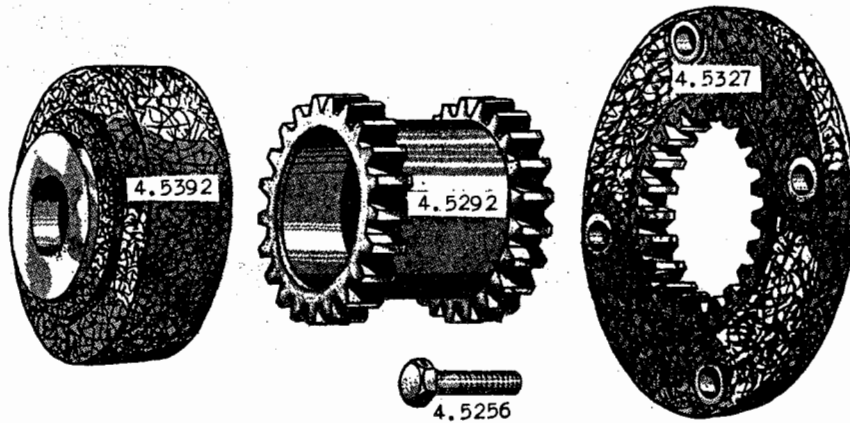


REAR BRAKE SHOE & LINING

BRAKES

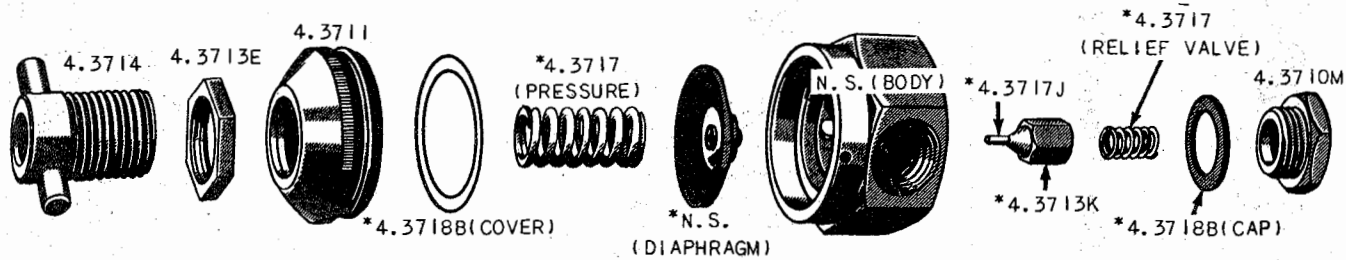


**SLACK ADJUSTER
(FRONT & REAR BRAKE)**



AIR COMPRESSOR DRIVE

4-1112

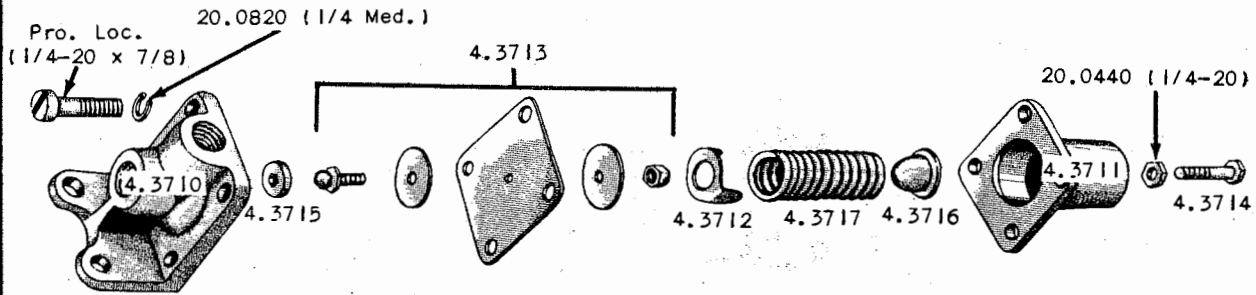


4-1804

NOTE: ALL PARTS DESIGNATED W (*) ASTERISK ARE
PART OF REPAIR KIT SHOWN IN GROUP 4.3713D.

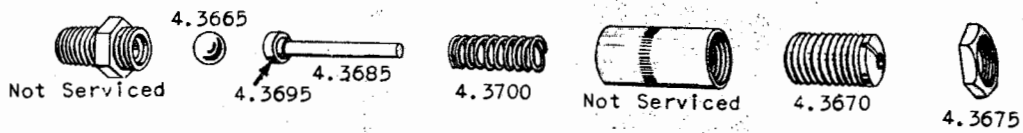
PRESSURE REGULATOR
(2333539)

BRAKES



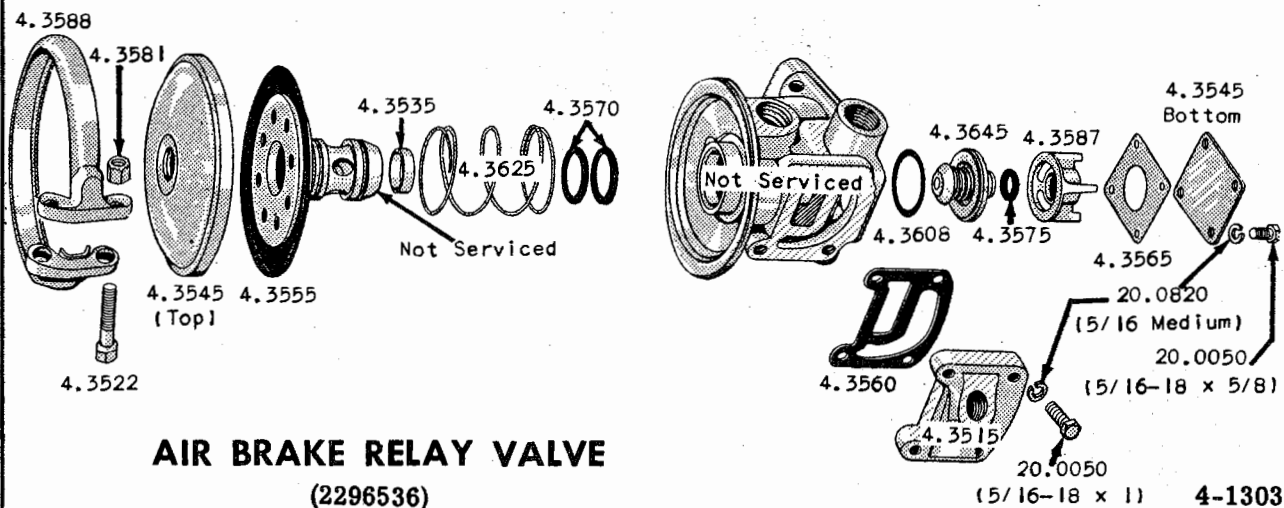
4-1801

PRESSURE REGULATOR (2083515)



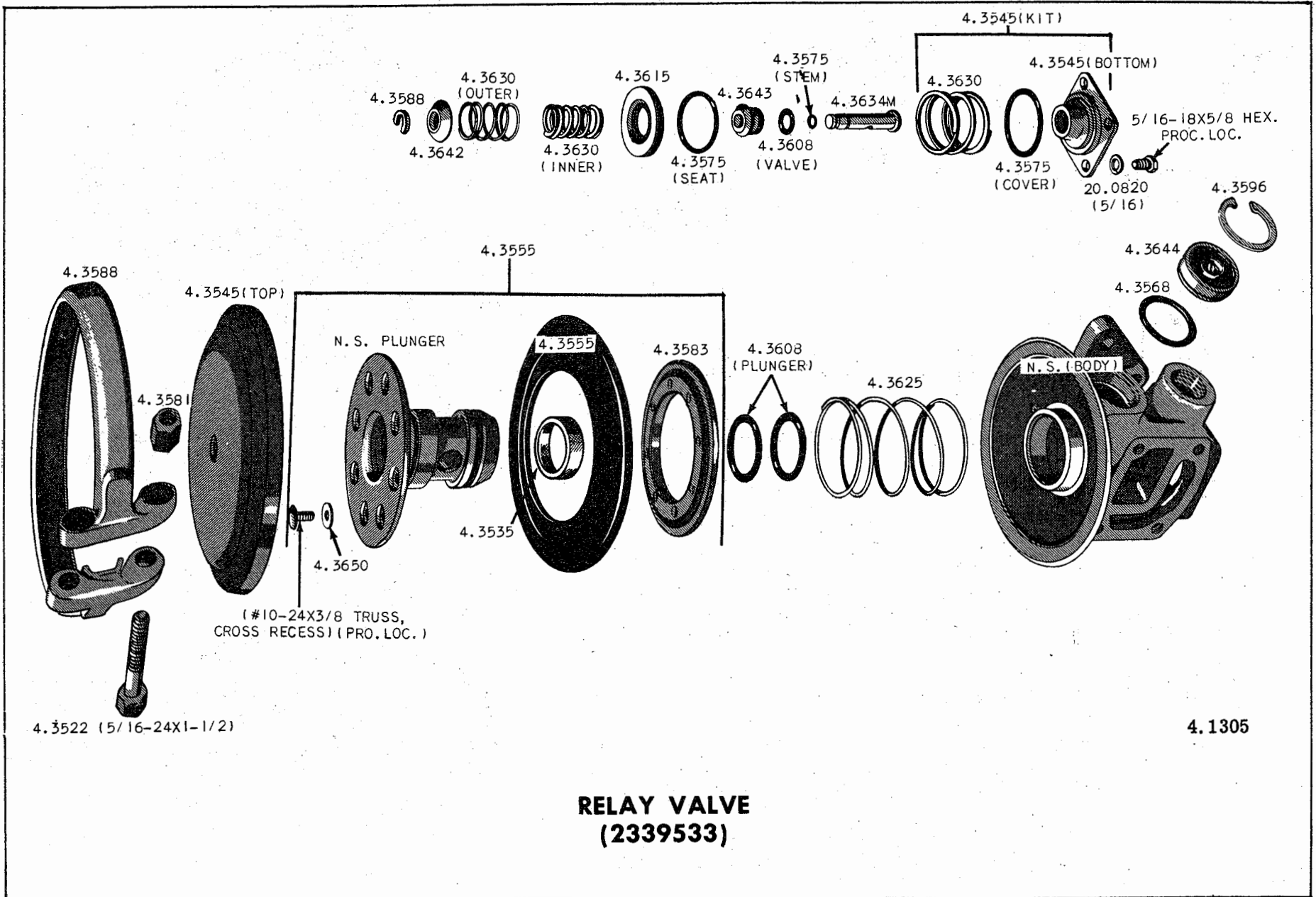
4-901

SAFETY VALVE (2255197)



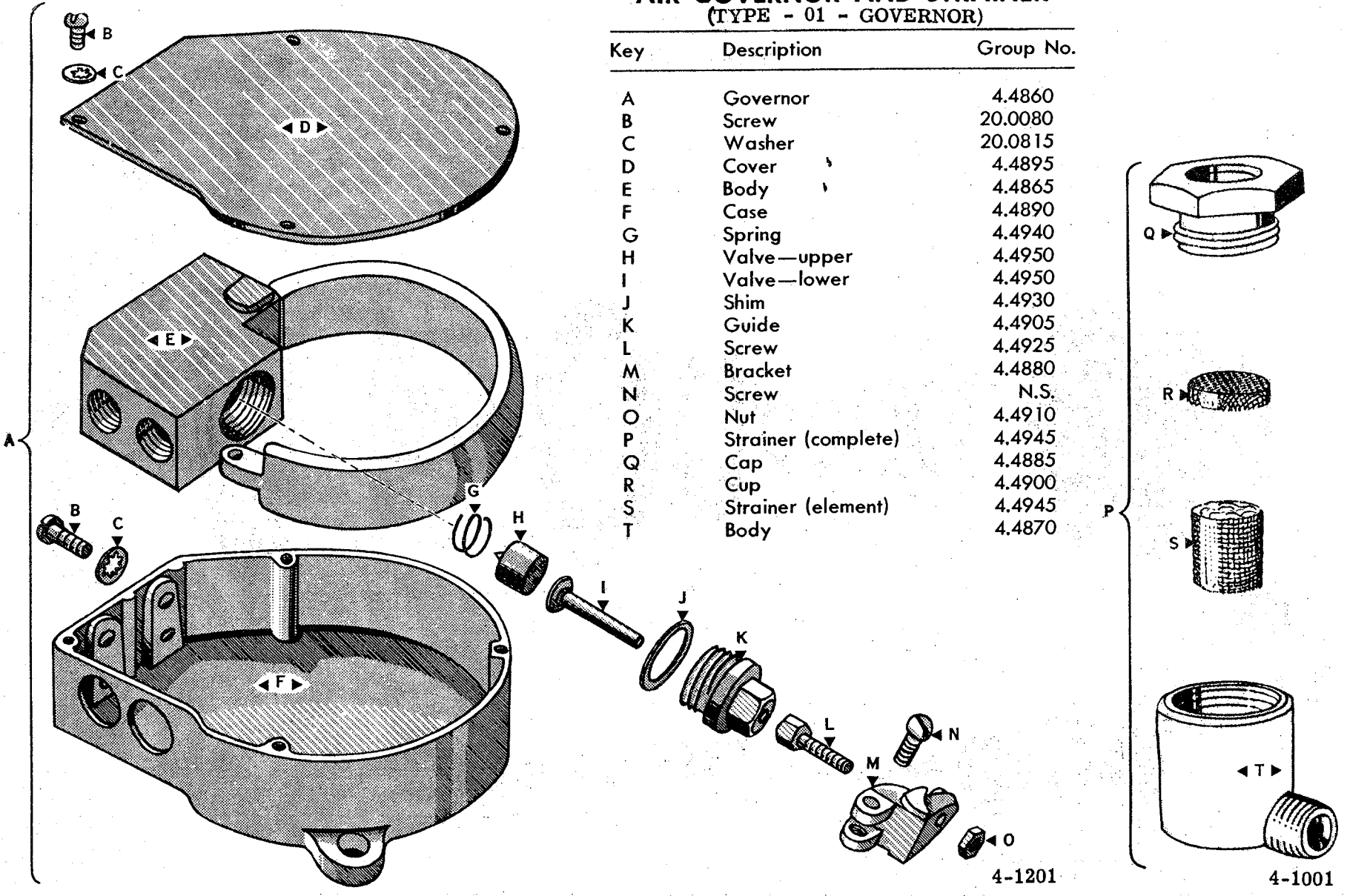
**AIR BRAKE RELAY VALVE
(2296536)**

4-1303



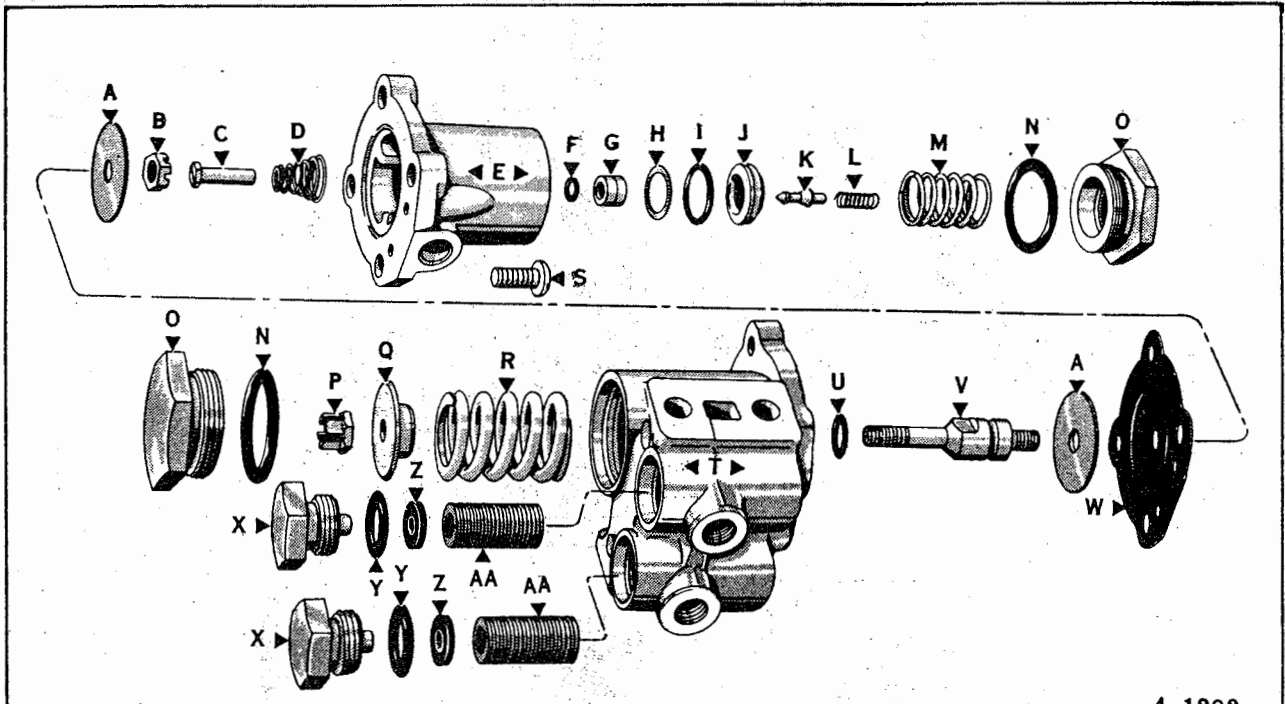
AIR GOVERNOR AND STRAINER (TYPE - 01 - GOVERNOR)

Key	Description	Group No.
A	Governor	4.4860
B	Screw	20.0080
C	Washer	20.0815
D	Cover	4.4895
E	Body	4.4865
F	Case	4.4890
G	Spring	4.4940
H	Valve—upper	4.4950
I	Valve—lower	4.4950
J	Shim	4.4930
K	Guide	4.4905
L	Screw	4.4925
M	Bracket	4.4880
N	Screw	N.S.
O	Nut	4.4910
P	Strainer (complete)	4.4945
Q	Cap	4.4885
R	Cup	4.4900
S	Strainer (element)	4.4945
T	Body	4.4870



BRAKES

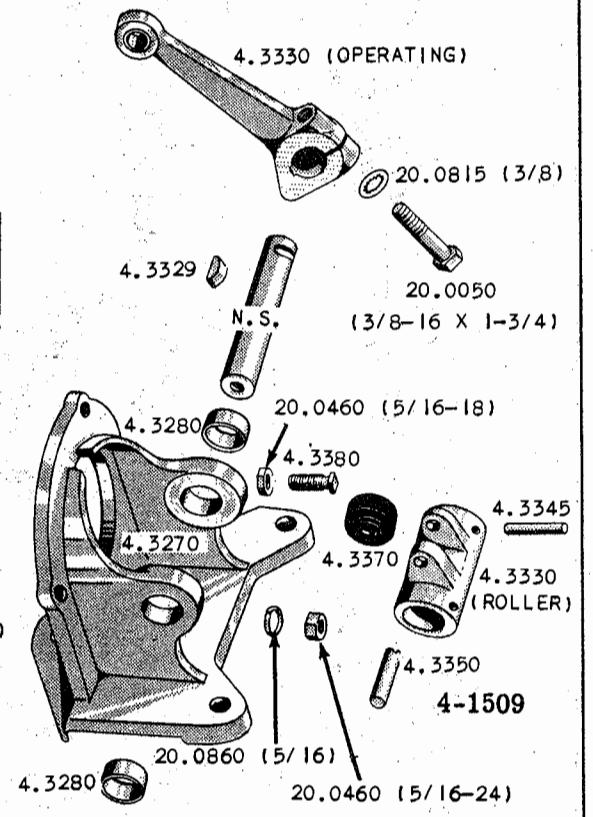
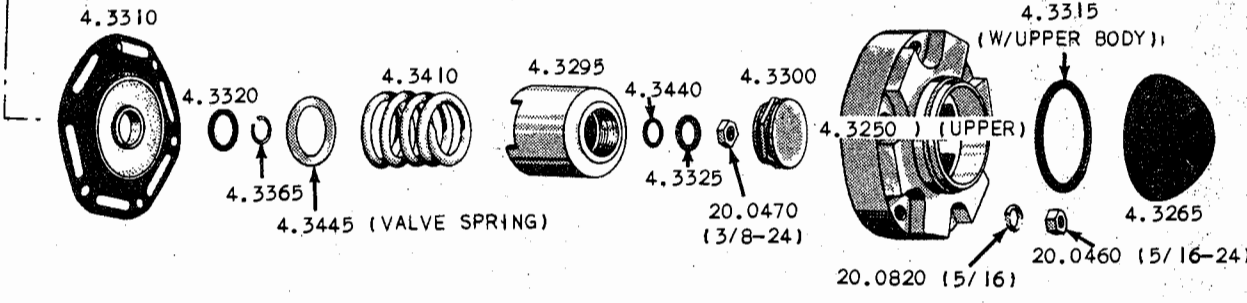
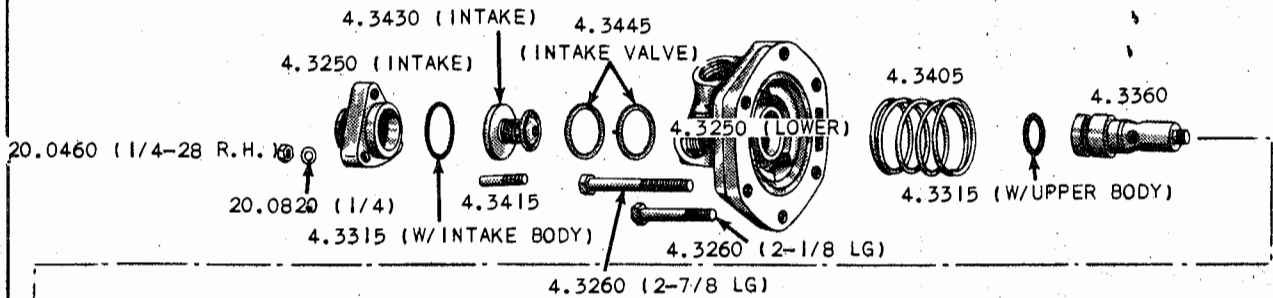
BRAKES



4-1203

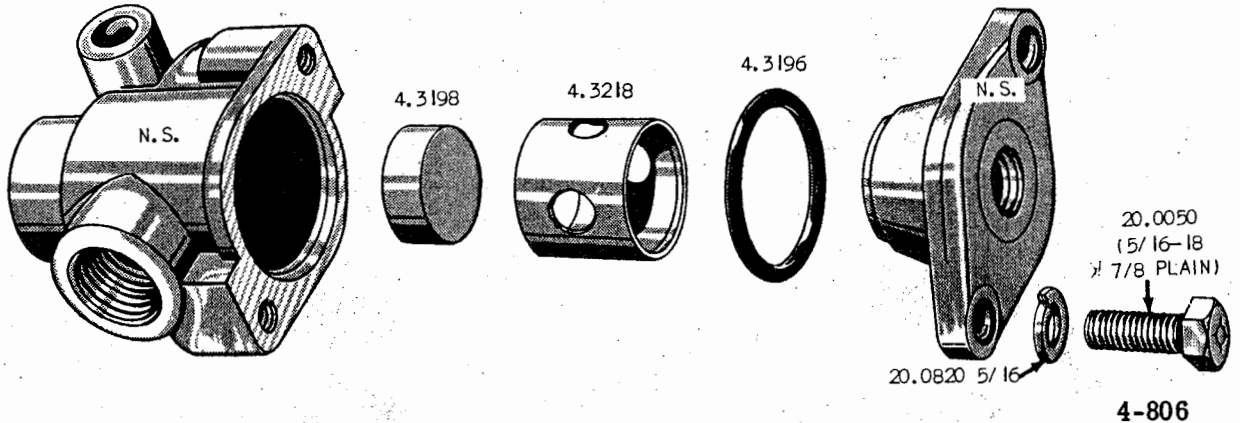
AIR GOVERNOR
(TYPE D CYLINDRICAL)

Key	Description	Group No.
A	Follower	4. 4903F
B	Nut (1/4"-28)	20. 0510
C	Stem	4. 4942
D	Spring - exhaust stem	4. 4940
E	Body	4. 4865
F	Grommet	4. 4904J
G	Bushing	4. 4881
H	Shim	4. 4930
I	Grommet	4. 4904H
J	Seat	4. 4928
K	Valve - inlet exhaust	4. 4950
L	Spring - inlet valve	4. 4940
M	Spring - retaining, inlet valve	4. 4940
N	Grommet	4. 4904F
O	Cap	4. 4883
P	Nut	4. 4908
Q	Seat	4. 4927
R	Spring - pressure setting	4. 4940
S	Screw - (1/4-20 x 3/4)	20. 0080
T	Cage	4. 4882
U	Grommet	4. 4904G
V	Stem	4. 4941
W	Diaphragm	4. 4902
X	Cap	4. 4884
Y	Grommet	4. 4904E
Z	Washer	4. 4955
AA	Filter (Cylinder only)	4. 4903E

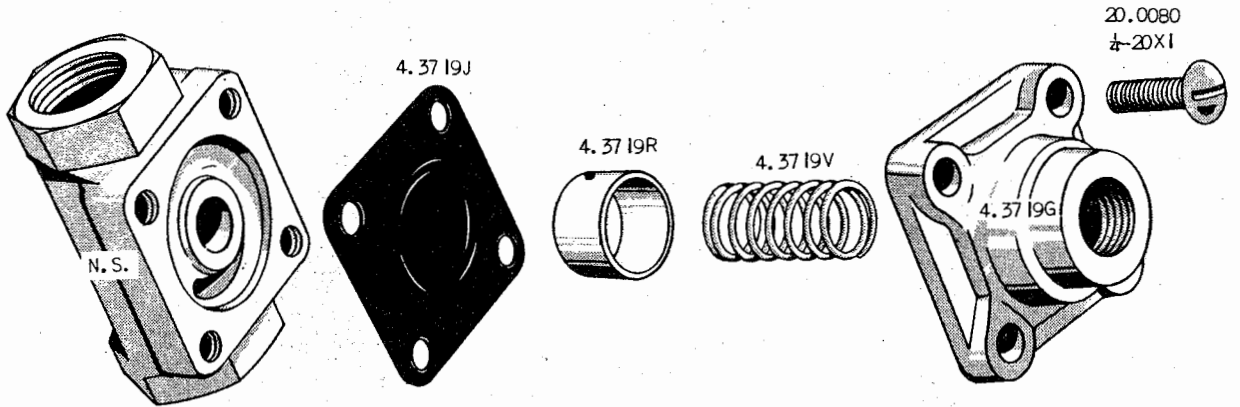


BRAKE APPLICATION VALVE (2296485)

BRAKES

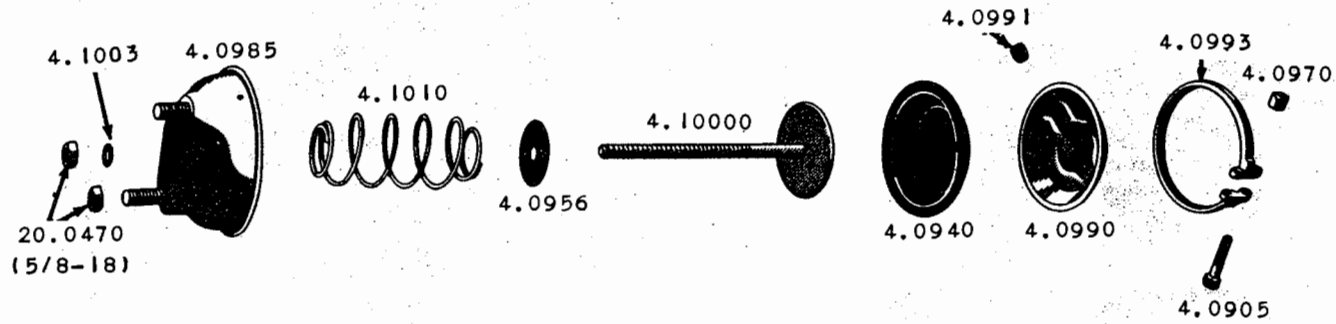


CHECK VALVE (2262472)



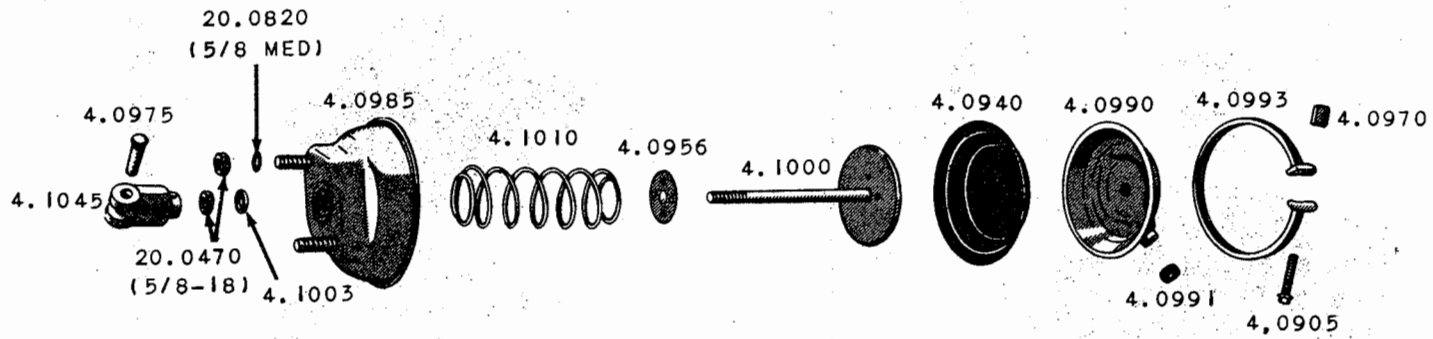
4-808

AIR PRESSURE CUT-OFF VALVE (2322807)



4-2133

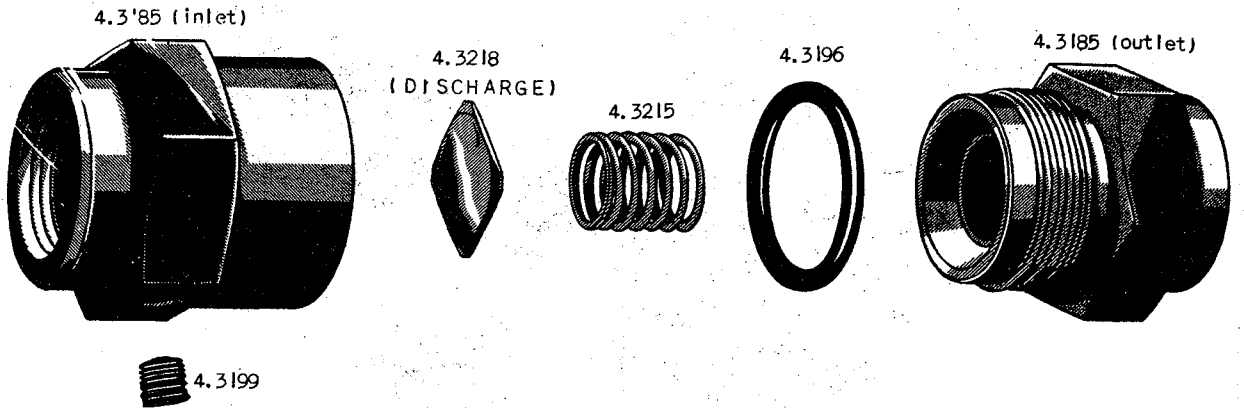
FRONT BRAKE CHAMBER



4-2132

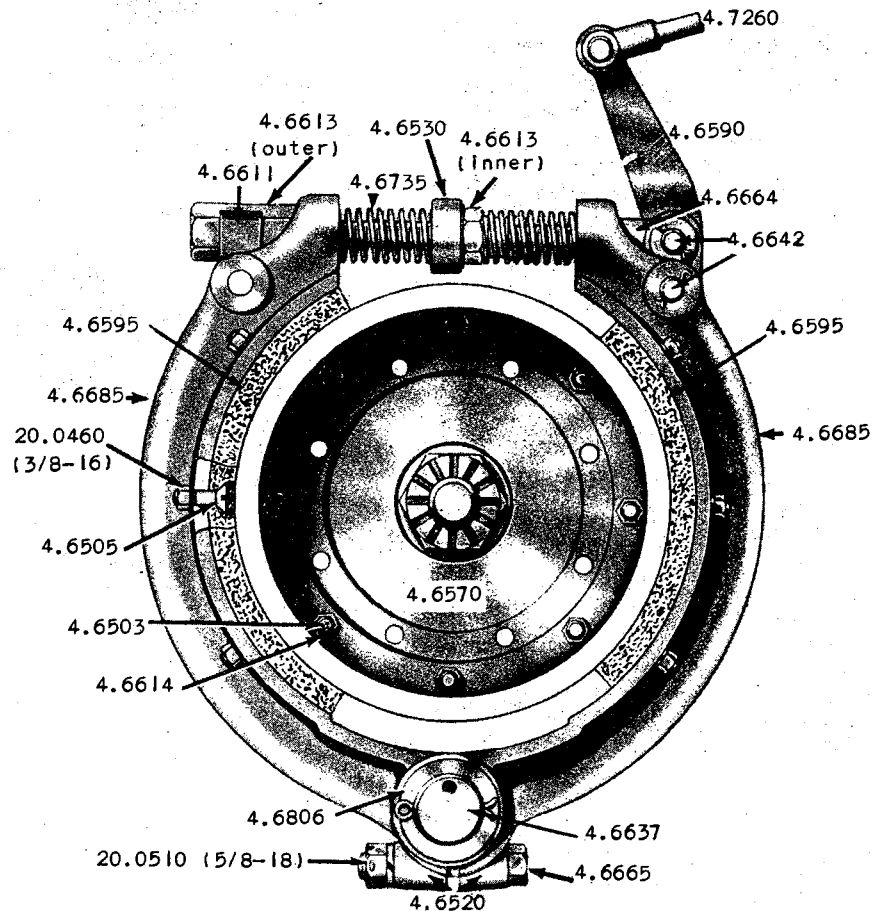
**REAR BRAKE CHAMBER
(SEAL TYPE)**

BRAKES



4-809

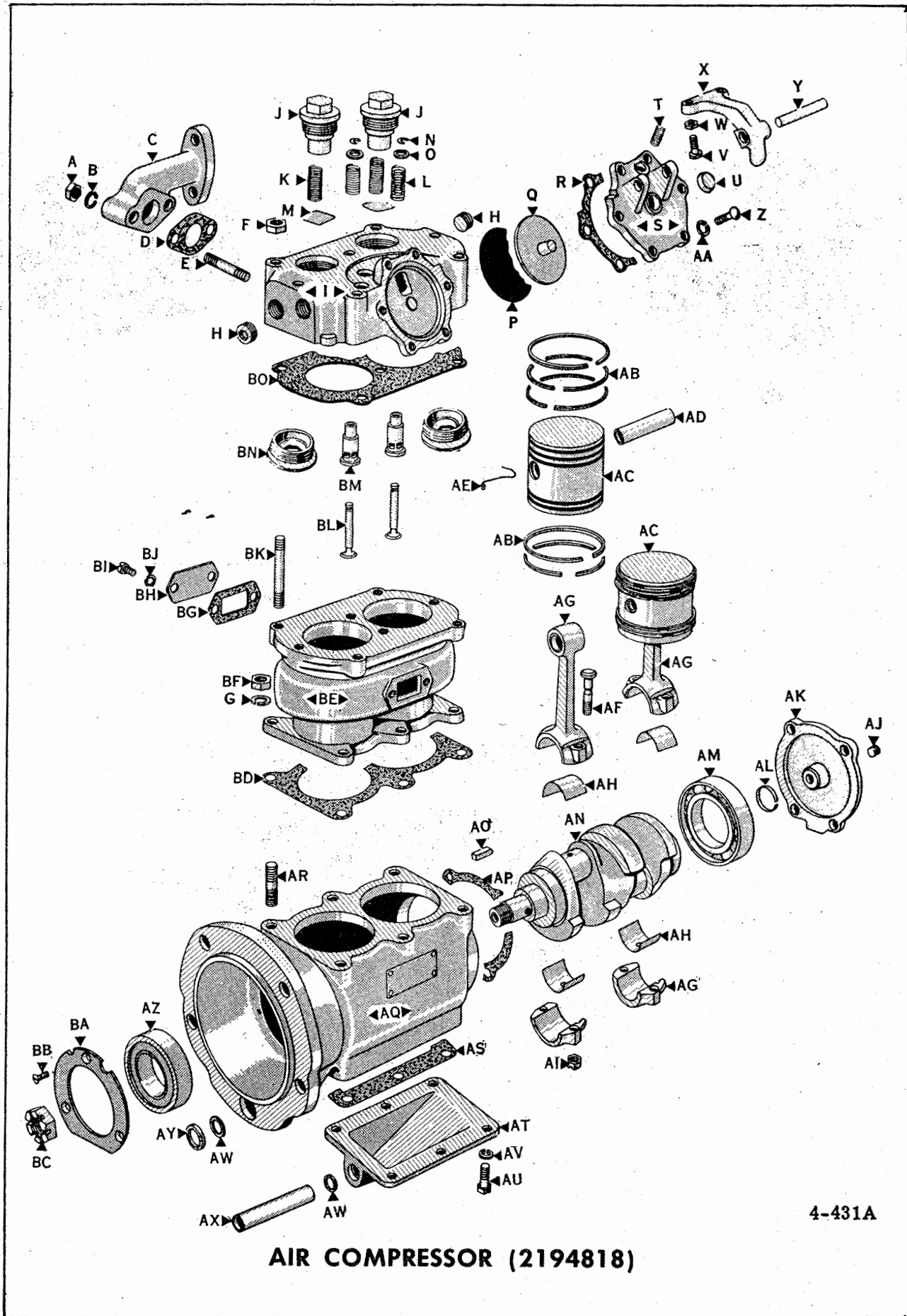
CHECK VALVE
(2260858)



HAND BRAKE
(EXTERNAL SHOE TYPE—Typical)

TP-3326

BRAKES



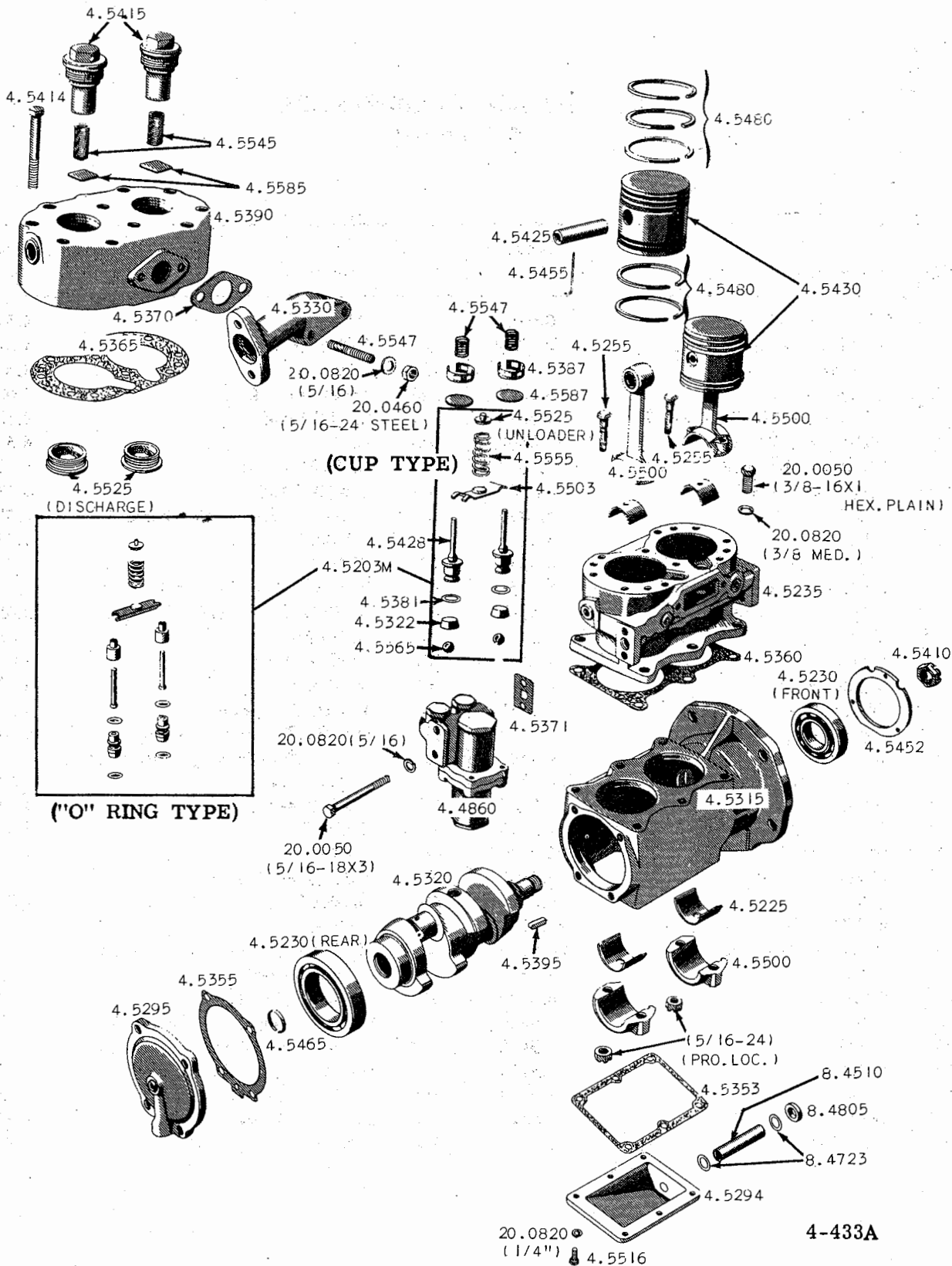
AIR COMPRESSOR (2194818)

4-431A

KEY TO AIR COMPRESSOR (2194818)

Key	Description	Group No.	Key	Description	Group No.
A	NUT (5/16-24 Steel)	20.0460	AJ	PLUG	4.5435
B	WASHER (5/16 in. lock)	20.0820	AK	COVER - Rear	4.5295
C	ELBOW	4.5330	AL	RING	4.5465
D	GASKET	4.5370	AM	BEARING - Rear	4.5230
E	STUD (5/16-18-24 x 2-1/8)	4.5576	AN	CRANKSHAFT	4.5320
F	NUT (5/16-24 Steel)	20.0460	AO	KEY	4.5395
G	WASHER (3/8 med. lock)	20.0820	AP	GASKET - Rear	4.5355
H	PLUG (3/8 Pipe)	4.5445	AQ	CRANKCASE	4.5315
I	HEAD	4.5390	AR	STUD - Block to Crankcase	4.5573
J	NUT	4.5415	AS	GASKET	4.5353
K	SPRING (1-7/64 in. long)	4.5545	AT	COVER	4.5294
L	SPRING (1-3/64 in. long)	4.5555	AU	SCREW (1/4-20 x 3/4 in.)	4.5516
M	VALVE - Discharge	4.5585	AV	WASHER (1/4 lock)	20.0820
N	STOP	4.5565	AW	GROMMET	4.4723B
O	RING	4.5495	AX	LINE - Outlet	8.4510B
P	DIAPHRAGM	4.5325	AY	RETAINER	8.4805B
Q	FOLLOWER	4.5335	AZ	BEARING - Front	4.5230
R	GASKET	4.5367	BA	RETAINER - Front bearing	4.5452
S	COVER	4.5300	BB	SCREW (#10-24 x 1/2 fil. head cross recess)	N.S.
T	SPRING (27/32 in. long)	4.5560	BC	NUT (3/4-16)	4.5410
U	GUARD	4.5385	BD	GASKET	4.5360
V	SCREW (1/4 in.-20 x 3/4 in.)	4.5510	BE	BLOCK	4.5235
W	NUT (1/4-20)	20.0440	BF	NUT (3/8-24 Steel)	20.0460
X	LEVER	4.5400	BG	GASKET	4.5375
Y	PIN	4.5420	BH	COVER	4.5310
Z	BOLT (1/4-20 x 1 in. pan hd.)	20.0080	BI	SCREW - (1/4-20 x 1/2 fil. hd. cross recess)	N.S.
AA	WASHER (1/4 lock)	20.0820	BJ	WASHER (1/4 lock)	20.0820
AB	RING SET	4.5480	BK	STUD - Head to block (5/16 thd. x 2-5/8 hsg.)	N.S.
AC	PISTON	4.5430	BL	VALVE - Unloader	4.5590
AD	PIN	4.5425	BM	SEAT - Unloader	4.5525
AE	RETAINER	4.5455	BN	SEAT - Discharge	4.5525
AF	BOLT	4.5255	BO	GASKET	4.5365
AG	ROD	4.5500			
AH	BEARING	4.5225			
AI	NUT (5/16-24 hex. thk. sl.)	N.S.			

BRAKES



**AIR COMPRESSOR
(2336114-2370586)**

BRAKE SHOE AND LINING

4.0005	4	2298280	SHOE-brake-front. Incl. bushing. 5 in. wide aluminum. Std. & SL-11797.
4.0005	4	2385288	SHOE-brake-front. Incl. bushing. 5 in. wide steel. Std. & SL-12448.
4.0005	4	2385303	SHOE-brake-rear. Incl. bushing. 8 in. wide steel.
4.0005	4	2298297	SHOE-brake-rear. Incl. bushing. 8 in. wide aluminum.
4.0010	6	2165391	LINING-brake shoe-front. Thermoid. Use W/aluminum shoe. Stpd. 2240-T-878. 5 in. wide. Std. & SL-11797, Div. D. Repl 2302097. 4 holes.
4.0010	4	2165391	LINING-brake shoe-front, anchor ends thermoid use W/steel shoe. Stpd. 2240-T-878. 5 in. wide. Std. & SL-12448, Div. E-F.
4.0010	2	2283037	LINING-brake shoe-front. Thermoid. Use W/aluminum shoe. Stpd. 2240-Q-1421. 5 in. wide. Std. & SL-11797, Div. D. Repl. 2302098, 6 holes.
4.0010	4	2358228	LINING-brake shoe-front, cam end. Thermoid. Use W/steel shoe. Stpd. 2740-G-423. Std. & SL-12448, Div. E-F-K-M.
4.0010	6	2207086	LINING-brake shoe-front. Abb. Stpd. 2240-A-1015. 5 in. wide. Std. & SL-11797, Div. F.
4.0010	2	2287150	LINING-brake shoe-front. ABB Stpd. 2240-D-576. 5 in. wide. Std. & SL-11797, Div. F.
4.0010	8	2287150	LINING-brake shoe-front. ABB #693-9. Stpd. 2240-D-576. 5 in. wide. Repl. 2258706 Std. & SL-11797, Div. E. Repl. 2258705.
4.0010	4	2359272	LINING-brake shoe-front brake. Cam end. Johns-Manville. Stpd. 2740-J-426. 5 in. wide. SL-12448, Div. G-H. SL-12898, Div. A.
4.0010	4	2263329	LINING-brake shoe-front brakes. Anchor end. ABB #693-9. Stpd. 2240-W-1349. 5 in. wide. SL-12448, Div. G-H, SL-12898, Div. A.
4.0010	4	2361583	LINING-brake shoe-front brake. Cam end. Johns-Manville, Stpd. 2740-G-553. 5 in. wide. SL-12448, Div. J-L.
4.0010	4	2361584	LINING-brake shoe-front brake anchor end. Johns-Manville. Stpd. 2240-N-1704. 5 in. wide. SL-12448, Div. J-L.
4.0010	4	2287150	LINING-brake shoe-front brake anchor end. ABB #693-9. Stpd. 2240-D-576. 5 in. wide. SL-12448, Div. K-M. Repl. 2258706.
4.0010	6	2298299	LINING-brake shoe-rear. Thermoid. Stpd. 2240-V-1634. 8 in. wide. W/4 holes.
4.0010	2	2298298	LINING-brake shoe-rear. Thermoid. Stpd. 2240-H-1594. 8 in. wide. W/6 holes.
4.0010	6	2302073	LINING-brake shoe-rear. ABB. Stpd. 2240-Y-1637. 8 in. wide.
4.0010	2	2302072	LINING-brake shoe-rear. ABB. Stpd. 2240-K-1597. 8 in. wide.
4.0010	6	2298299	LINING-brake shoe-rear. Thermoid. Stpd. 2240-V-1634. 8 in. wide. Repl. 2302058.
4.0010	2	2298299	LINING-brake shoe-rear. Thermoid. Stpd. 2240-V-1634. 8 in. wide W/4 holes. Repl. 2302057.
4.0010	4	2358231	LINING-brake shoe-rear. Cam end. Thermoid. Use W/steel shoe. Stpd. A3-3722- F-240. 8 in. wide.
4.0010	4	2358232	LINING-brake shoe-rear. Anchor end. Thermoid. Use W/steel shoe. Stpd. A3- 3722-F-240. 8 in. wide.
4.0020	96	2280025	BOLT-brake shoe lining-front & rear brake 3/8-24 x 1-5/16 W/alum. shoes Std. & SL-12448, Div. E-F.
4.0020	96	2356110	BOLT-brake shoe lining. Front & rear brake. 3/8-24 x 1 W/steel shoes. Std. & SL-12448
4.0025	8	676897	BUSHING-brake shoe-front & rear brake shoe W/alum shoe.
4.0025	8	2382493	BUSHING-brake shoe-front & rear brake shoe. W/steel shoes.
4.0027	12	2270743	LOCK-brake shoe roller pin-front & rear brake
4.0030	4	2270742	PIN-brake shoe roller-front brake
4.0030	8	2298300	PIN-brake shoe roller-rear brake
4.0038	96	2046751	PLUG-brake shoe lining-W/bolt hole
4.0045	12	2009342	ROLLER-brake shoe-front & rear brake. .773 I.D. 1-1/4 O.D. x .937 in. long. Std. W/alum. shoes.
4.0045	12	2095075	ROLLER-brake shoe-front & rear brake. .773 I.D. 1-3/8 O.D. x .937 in. long. O.S. W/alum. shoes.
4.0045	12	2250099	ROLLER-brake shoe-front and brake shoe. .773 I.D. 1-1/2 O.D x .937 in. long. O.S. W/alum shoes.
4.0045	12	2034977	ROLLER-brake shoe-front and rear brakes. .773 I.D. 1-3/4 O.D x .937 in. long. O.S. W/alum. shoes.
4.0045	4	2356115	ROLLER-brake shoe-front W/steel shoe. Std. & SL-12448, Div. E-F.
4.0045	8	2356111	ROLLER-brake shoe-rear. W/steel shoe.

BRAKE SHOE MOUNTING

4.0108	4	2259327	DOWEL-brake shoe anchor pin-rear brake.
4.0130	2	305579	LOCK-brake shoe anchor pin-front brake.
4.0130	8	677112	LOCK-brake shoe anchor pin-rear brake.
4.0156	2	2256378	NUT-brake spider stud-front. W/upper stud.

4.0156	2	682857	NUT-brake spider stud-front. W/lower stud
4.0170	4	2030115	PIN-brake shoe anchor-front brake. Prior to 1966.
4.0170	4	2382490	PIN-brake shoe anchor-front brake. Eff. W/1966. Repl. 2359885.
4.0170	4	2259328	PIN-brake shoe anchor-rear brake TDH. Use W/lock strap & dowel. Prior to 1966
4.0170	4	2381265	PIN-brake shoe anchor-rear brake. Eff W/1966.
4.0190	4	2298273	PIN-brake shoe return spring-front brake
4.0190	8	2207838	PIN-brake shoe return spring-rear brake
4.0190	4	2363519	PIN-brake shoe return spring-front brake. W/5 in. wide steel shoe Std. & SL-12448, Div. E-F.
4.0190	4	2374466	PIN-brake shoe return spring-rear brake. W/8 in. wide steel shoes.
4.0281	4	2275647	SLEEVE-brake spider stud-dowel sleeve.
4.0310	1	2298255	SPIDER-brake-RH front brake
4.0310	1	2298256	SPIDER-brake-LH front brake
4.0310	1	2299459	SPIDER-brake-RH front brake. SL-11797, Div. L-M, SL-12448, Div. F-H-J-K.
4.0310	1	2339909	SPIDER-brake-LH front brake. SL-11797, Div. L-M, SL-12448, Div. F-H-J-K.
4.0315	4	2416451	SPRING-brake shoe anchor pin-front brake.
4.0330	4	2030114	SPRING-brake shoe return-front brake prior to 1966.
4.0330	4	2377712	SPRING-brake shoe return-front brake. Eff W/1966.
4.0330	2	2030167	SPRING-brake shoe return-rear brake prior to 1966.
4.0330	4	2371499	SPRING-brake shoe return-rear brake. Eff. W/1966
4.0345	4	2259326	STRAP-brake shoe anchor pin-rear brake. Use W/dowel.
4.0357	2	2289529	STUD-brake spider-front brake. Lower, in knuckle
4.0357	2	2279082	STUD-brake spider-front brake. 7/8-14 x 3-13/16.
4.0370	4	2385276	WASHER-brake shoe anchor pin-spacing 1/32.
4.0370	AR	2385278	WASHER-brake shoe anchor pin-spacing 3/32.
4.0370	AR	2385277	WASHER-brake shoe anchor pin-spacing 1/16.
4.0370	AR	2385280	WASHER-brake shoe anchor pin-spacing 5/32.

BRAKE CAMSHAFT

4.0610	1	2298270	CAMSHAFT-wheel brake-LH front brake
4.0610	1	2298271	CAMSHAFT-wheel brake-RH front brake
4.0610	1	2336743	CAMSHAFT-wheel brake-RH rear brake. Repl. 2298294.
4.0610	1	2336744	CAMSHAFT-wheel brake-LH rear brake. Repl. 2298295.
4.0615	4	127767	BEARING-wheel brake camshaft-rear brake. Stpd. #B-2420.
4.0615	4	127767	BEARING-wheel brake camshaft-front brake. Stpd. #B-2420.
4.0615	2	127767	BEARING-brake camshaft and spider-front LH brake. SL-11797, Div. L & M. SL-12448, Div. F.
4.0625	2	2208916	BRACKET-wheel brake camshaft-rear brake. Incl. brg., seal and washer. Repl. 2220861. Prior to 1966.
4.0625	2	2355873	BRACKET-wheel brake camshaft-rear brake. Incl. brg. & seal. Eff W/1759.
4.0633	2	074453	CAP-brake camshaft bushing-rear brake.
4.0650	4	679530	RETAINER-wheel brake camshaft seal washer-rear brake.
4.0655	4	2242823	RETAINER-wheel brake camshaft bracket-rear brake.
4.0658	4	2284330	RING-lock, brake camshaft oil seal-rear brake. Repl. 2284331 & 2285855.
4.0660	AR	2221296	RING-snap, wheel brake camshaft washer-rear brake. Repl. 2299413.
4.0670	4	244531	SEAL-wheel brake camshaft brg-oil. Front brake.
4.0670	4	244531	SEAL-wheel brake camshaft brg-oil. Rear brake.
4.0670	2	2355896	SEAL-wheel brake camshaft brg. rear brake. O ring type. Part of 2355873 brkt. Eff W/1759.
4.0670	2	2122075	SEAL-wheel brake camshaft brg.-front brake. SL-11797, Div. L-M.
4.0678	2	2298272	SPACER-wheel brake camshaft brg.-front brake.
4.0678	2	2294168	SPACER-wheel brake camshaft brg-rear brake prior to 1759.
4.0678	2	2360889	SPACER-wheel brake camshaft brg-rear brake. Eff W/1966.
4.0678	2	2122076	SPACER-wheel brake camshaft brg-front brake. SL-11797, Div. L & M.
4.0685	4	2012242	WASHER-wheel brake camshaft-spacer-front brake. 1-9/16 ID x 2-3/4 OD
4.0685	4	658049	WASHER-wheel brake camshaft-spacer. Rear brake. 1-17/32 ID x 2-1/4 OD x .065 thk.
4.0685	2	2220873	WASHER-wheel brake camshaft-locking. Rear brake. 17/32 ID x 1-1/2 OD x 1/8 thk.
4.0685	4	2101126	WASHER-wheel brake camshaft-W/oil seal. Rear brake. 1-33/64 ID x 2 OD x 3/16 thk.
4.0685	4	679526	WASHER-wheel brake camshaft-felt seal. Rear brake. 1.33 ID x 1-27/32 OD x 3/16 thk.
4.0685	4	2012242	WASHER-wheel brake camshaft-spacer. Rear brake. 1-9/16 ID x 2-3/4 OD.
4.0685	2	2030165	WASHER-wheel brake camshaft-1-1/2 ID x 3-3/4 OD.

BRAKE SLACK ADJUSTER

4. 0700	1	2298258	ADJUSTER-slack, wheel brake-RH front brake.
4. 0700	1	2298259	ADJUSTER-slack, wheel brake-LH front brake.
4. 0700	1	2246392	ADJUSTER-slack, wheel brake-RH rear brake.
4. 0700	1	2246393	ADJUSTER-slack, wheel brake-LH rear brake.
4. 0720	4	238385	BUSHING-slack adjuster-front & rear brake.
4. 0730	8	2247125	COVER-slack adjuster body-front and rear brake.
4. 0740	4	2247121	GEAR-slack adjuster worm-front & rear brake.
4. 0765	4	2247123	LOCK-slack adjuster worm-front & rear brake.
4. 0775	4	2247119	PIN-dowel, slack adjuster worm lock spring-front & rear brake.
4. 0805	2	118831	PLUG-slack adjuster body-front brake. 1/8-27 rd. sltd. hdls.
4. 0805	4	103892	PLUG-slack adjuster body-front & rear brake. 3/4 exp.
4. 0825	2	2221296	RING-lock, slack adjuster-W/retaining washer. Front brake. Repl. 2268884.
4. 0830	4	2285878	SHAFT-slack adjuster worm-front & rear brake.
4. 0833	2	2355897	SPACER-slack adjuster-rear brake. Eff W/1759.
4. 0845	4	2247124	SPRING-slack adjuster worm shaft lock-front & rear brake.
4. 0860	4	658049	WASHER-slack adjuster-retainer washer. Front brake. .065.
4. 0860	2	2101123	WASHER-slack adjuster-retainer washer. Front brake. .032.
4. 0880	4	2247120	WORM-slack adjuster-front and rear brake.

BRAKE CHAMBER

4. 0890	2	2341399	CHAMBER-brake-front brake. Repl. 2290528, 2308265, 2335443.
4. 0890	2	2341403	CHAMBER-brake-rear brake. Repl. 2294599 & 2335447. Prior to 1966 W/alum suspension.
4. 0890	2	2389831	CHAMBER-brake-rear brake W/11-9/16 in. long. Push rod and W/steel susp. Boot type. Repl. 2363514 seal type chamber having 11-9/16 in. long push rod.
4. 0890	2	2394057	CHAMBER ASSY-brake-rear brake. Boot type W/push rod 12-9/16 in. long. Repl. 2354376 seal type chamber W/12-9/16 in. long push rod.
4. 0905	8	2284306	BOLT-brake chamber-front & rear brake. W/clamping ring prior to 1966.
4. 0915	2	2410534	BOOT-brake chamber push rod-rear brake.
4. 0920	1	2298260	BRACKET-brake chamber-RH front brake.
4. 0920	1	2298261	BRACKET-brake chamber-LH front brake.
4. 0920	2	2292185	BRACKET-brake chamber-rear brake. Support prior to 1966.
4. 0940	1	2329244	DIAPHRAGM-brake chamber-front brake. Stpd. 23667. Repl. 2284313 & 2330400.
4. 0940	2	2329245	DIAPHRAGM-brake chamber-rear brake. Repl. 2287591 & 2329282.
4. 0956	1	2308201	GUIDE-brake chamber push rod spring. Part of 2294599 rear chamber.
4. 0956	1	2308202	GUIDE-brake chamber push rod spring. Part of 2308265 frt. chamber.
4. 0956	1	2338854	GUIDE-brake chamber push rod spring. Part of 2341403, 2335447, 2354376, 2363514, 2389831 rear chambers.
4. 0956	1	2338853	GUIDE-brake chamber push rod spring. Part of 2341399 & 2335443 frt. chambers.
4. 0970	8	2284307	NUT-brake chamber bolt or stud- front and rear brake W/clamping ring bolt prior to chassis 1966.
4. 0970	1	2298267	NUT-brake chamber bolt or stud-front brake. W/bracket stud.
4. 0975	4	2052020	PIN-brake chamber push rod yoke-front & rear brake. 1/2 in. dia. x 2 in. long.
4. 0977	2	2030121	PIN-dowel, brake chamber bracket.
4. 0985	2	2284317	PLATE-non-pressure, brake chamber-front brake. Part of 2290528.
4. 0985	2	2394060	PLATE-non-pressure, brake chamber-rear brake. Repl. 2338851.
NOTE: When replacing 2338851 plate by 2394060 it is also necessary to order 2-2410534 boot.			
4. 0985	2	2338849	PLATE-non-pressure, brake chamber-front brake. Part of 2341399 & 2335443 front chambers.
4. 0990	2	2306490	PLATE-pressure, brake chamber-front brake. Repl. 2284312.
4. 0990	2	2297495	PLATE-pressure, brake chamber-rear brake.
4. 0991	2	147863	PLUG-brake chamber pressure plate-inlet, rear brake.
4. 0991	2	117244	PLUG-brake chamber pressure plate-inlet-front brake.
4. 0993	2	2355080	RING-clamping, brake chamber-front brake W/2355084 bolt & 2355085 nut.
4. 0993	2	2355081	RING-clamping, brake chamber-rear brake. W/2355084 bolt & 2355085 nut. Repl. 2287589.
4. 1000	2	2284315	ROD-push, brake chamber-front brake.
4. 1000	2	2295614	ROD-push, brake chamber-rear brake prior to 1759.
4. 1000	2	2366074	ROD-push, brake chamber-rear brake. 5/8-18 x 12-9/16. Part of 2354376 chamber.
4. 1000	2	2366076	ROD-push, brake chamber-rear brake. 5/8-18 x 11-9/16. Part of 2363514, 2389831 chambers.
4. 1003	4	2284310	SEAL-brake chamber push rod-front & rear brake part of 2294599 rear chamber & 2308265 & 2290528 front chambers.

4.1003	1	2332391	SEAL-brake chamber push rod-frt & rear brake, part of 2341399 & 2335443 frt. chamber, 2341403, 2335447, 2354376, 2363514. Rear chamber.
4.1010	2	2284314	SPRING-brake chamber push rod-front brake.
4.1010	2	2287592	SPRING-brake chamber push rod-rear brake.
4.1015	4	2284304	SPRING-brake chamber seal or seal washer-front and rear brake.
4.1020	2	2285899	STUD-brake chamber-front brake. In chamber. 5/8-11, 5/8-18 x 2-1/16. Part of 2290528, 2308265 chambers.
4.1020	2	2312335	STUD-brake chamber-front brake. In chamber. Mtg. stud-also breather. 5/8-11, 5/8-18 x 2-9/16. Part of 2290528, 2308265 chambers.
4.1020	1	2298274	STUD-brake chamber-front brake. W/bracket. 1-1/8-12 x 4-1/4 tapered.
4.1020	2	2295615	STUD-brake chamber-rear brake. In chamber. 5/8-11, 5/8-18 x 2-7/16. Part of 2294599 chamber.
4.1020	2	2295616	STUD-brake chamber-rear brake. In chamber. Mtg. stud-also breather. 5/8-11, 5/8-18 x 2-13/16. Part of 2294599 chamber.
4.1030	1	2053010	WASHER-brake chamber stud-front brake. W/bracket stud.
4.1045	2	2283881	YOKE-brake chamber push rod-front brake.
4.1045	2	2273729	YOKE-brake chamber push rod-rear brake. Repl. 2119029.

BRAKE CHECK VALVE

4.3180	1	2260858	VALVE-check, brake-at air muffler nipple 2-15/16 in. long. Repl. 714274.
4.3180	1	2262472	VALVE-check, brake-aux. brake control. At front blkhd. Incl. bolt, grommet, guide and valve.
4.3185	1	2338102	BODY-brake check valve outlet. W/bushing.
4.3185	1	2338103	BODY-brake check valve inlet.
4.3187	2	179817	BOLT-brake check valve cover-aux. control check valve. 5/16-18 x 7/8 hex.
4.3189	1	2336800	BUSHING-brake check valve
4.3196	2	2276339	GROMMET-brake check valve-part of 2260858, 2262472.
4.3198	1	2405307	GUIDE-brake check valve-aux. control check valve.
4.3199	1	2260821	PLUG-brake check valve, pipe
4.3215	1	9024226	SPRING-discharge valve, brake check valve
4.3216M	1	710906	STUD-brake check valve-mtg. 3/8-24-3/8-24 x 3-3/4. aux. control check valve.
4.3218	1	2227143	VALVE-discharge, brake check valve.
4.3218	1	2408264	VALVE-brake check valve-part of aux. control check valve.

BRAKE APPLICATION VALVE

4.3230	1	2296485	VALVE-air brake application-Incl. mtg. bracket bolt 3/8-24 x 1-3/8-24 x 1-5/8.
4.3250	1	2214325	BODY-air application valve-lower. Incl. stud.
4.3250	1	2214333	BODY-air application valve-upper.
4.3250	1	2214328	BODY-air application valve-intake.
4.3260	3	2214336	BOLT-air application valve body-5/16-24 x 2-1/8.
4.3260	3	2214337	BOLT-air application valve body-5/16-24 x 2-7/8.
4.3265	1	2214338	BOOT-air application valve body.
4.3270	1	2298561	BRACKET-air application valve-mounting. Incl. bushing.
4.3280	2	2298567	BUSHING-air application valve bracket.
4.3285	1	238385	BUSHING-air application valve lever.
4.3295	1	2254419	CAGE-air application valve spring-W/plunger or regulating spring.
4.3300	1	2214951	CAP-air application valve-W/spring cage.
4.3310	1	2246245	DIAPHRAGM-air application valve-Incl. plunger spring, cage, cap & washers.
4.3310	1	2214341	DIAPHRAGM-air application valve-diaphragm only.
4.3315	1	2214329	GROMMET-air application valve body-W/intake body.
4.3315	1	2214334	GROMMET-air application valve body-W/upper body.
4.3320	1	2214342	GROMMET-air application valve diaphragm.
4.3325	1	2214335	GROMMET-air application valve plunger.
4.3329	1	2311247	KEY-air application valve lever-to shaft.
4.3330	1	2315544	LEVER-air application valve-Incl. bushing. Operating lever.
4.3330	1	2315543	LEVER-air application valve-roller lever.
4.3345	2	N. P. N.	PIN-air application valve lever-lock pin-roller lever to pivot pin-Procure locally.
4.3350	1	2368954	PIN-air application valve roller-Repl. 2222122.
4.3358	1	118831	PLUG-air application valve-1/8 SL. hdls. pipe
4.3358	1	143935	PLUG-air application valve-1/2 sq. hd. pipe
4.3360	1	2214340	PLUNGER-air application valve.
4.3365	1	2072359	RING-air application valve diaphragm-snap ring.
4.3370	1	2054524	ROLLER-air application valve-W/operating lever.
4.3380	1	2315419	SCREW-adj. air application valve lever.
4.3381	1	2358815	SCREW-air application valve lever-cap
4.3405	1	2214332	SPRING-air application valve diaphragm return.
4.3410	1	2246247	SPRING-air application valve plunger-pressure regulating

4. 3415	3	2214339	STUD-air application valve body
4. 3430	1	2214326	VALVE-intake, air application valve.
4. 3440	1	2214347	WASHER-air application valve plunger nut
4. 3445	AR	2214345	WASHER-shim, air application valve-valve spring. .010 steel.
4. 3445	AR	2214346	WASHER-shim, air application valve-valve spring. .0031 brass.
4. 3445	AR	2214348	WASHER-shim, air application valve-plunger. .010 steel.
4. 3445	AR	2214349	WASHER-shim, air application valve-plunger. .0031 brass.
4. 3445	AR	2214330	WASHER-shim, air application valve-intake valve. .010 steel.
4. 3445	AR	2214331	WASHER-shim, air application valve-intake valve. .0031 brass.

AIR BRAKE RELAY AND SUPPLY VALVE

4. 3500	1	2339533	VALVE-brake relay-rear brake. R-3 type having round type top cover. Repl. 2296536.
4. 3500	1	2390014	VALVE-brake relay-rear brake. R-5 type having hex. type top cover.
4. 3505	1	2214695	VALVE-brake supply.
4. 3508	1	2377774	KIT-relay valve exhaust check valve-consist of 1 check valve, 1 check valve grommet & 1 check valve ring. W/2339533 valve.
4. 3515	1	2296445	ADAPTER-relay valve-W/2339533 valve.
4. 3522	2	2284306	BOLT-relay valve-W/clamping ring. 5/16-24 x 2-3/32 hex. hd. for use W/2296435 clamp ring.
4. 3522	2	2355084	BOLT-relay valve-clamp ring. 5/16-24 x 1-1/2 W/12 pt. serrated hd. Part of 2356198 ring. Part of 2339533 valve.
4. 3535	1	2297966	BUSHING-relay valve supply valve-exhaust valve seat. Part of 2339533 valve.
4. 3537	1	2401698	CAP-relay valve-guide. Inlet valve. Part of 2390014 valve.
4. 3545	1	2296439	COVER-relay valve-top-at diaphragm end. Round. Part of 2339533 valve.
4. 3545	1	2400201	COVER-relay valve-top. hex. shaped. Part of 2390014 valve.
4. 3545	1	2296442	COVER-relay valve-bottom cover plate. W/retainer. Early type W/gasket. Part of 2339533 valve.
4. 3545	1	2325926	COVER-relay valve-bottom cover plate. W/relay valve spring. W/O gasket. Later type. Part of 2339533 valve.
4. 3545	1	2363583	COVER-relay valve-kit. Bottom W/bottom cover, grommet & spring. Part of 2339533 valve.
4. 3555	1	2296433	DIAPHRAGM-relay valve-incl. plunger, bushing, plate and pad. Part of 2339533 valve.
4. 3555	1	2303900	DIAPHRAGM-relay valve-diaphragm only. Part of 2339533 valve.
4. 3555	1	2271617	DIAPHRAGM-relay valve-inlet. Part of 2390014 valve.
4. 3555	1	2405340	DIAPHRAGM-relay valve-exhaust. Part of 2390014 valve.
4. 3556	1	2373085	DIAPHRAGM-relay valve check valve. Part of 2339533 valve.
4. 3560	1	2296444	GASKET-relay valve adapter W/2339533 valve.
4. 3565	1	2296443	GASKET-relay valve cover-- W/bottom cover plate. W/retainer. Later type. Part of 2339533 valve.
4. 3568	1	2214329	GROMMET-relay valve. Exhaust check valve.
4. 3569	1	2400202	GUIDE-relay valve-inlet diaphragm. Part of 2390014 valve.
4. 3575	2	2312313	GROMMET-relay valve supply valve-W/inlet valve seat & bottom cover. Part of 2339533 valve.
4. 3575	1	2324947	GROMMET-relay valve supply valve-inlet & exhaust valve stem. Part of 2339533 valve.
4. 3575	1	2402201	GROMMET-relay valve supply valve-inlet valve. 1.112" ID x 1.318" rubber. Part of 2390014 valve.
4. 3575	1	2294807	GROMMET-relay valve supply valve-inlet valve. .739" ID x .889 OD rubber. Part of 2390014 valve.
4. 3581	1	2284307	NUT-relay bolt-clamp ring. 9/16 in. long. Used W/hex. hd. bolt. For use W/2296435 ring.
4. 3581	2	2355085	NUT-relay bolt-clamp ring 3/4 in. long. Used W/serrated hd. bolt. Part of 2356198 ring. Part of 2339533 valve.
4. 3583	1	2303901	PLATE-relay valve diaphragm-clamping plate.
4. 3585	1	2296447	PLUG-relay valve-restriction plug-in body. Part of 2339533 valve.
4. 3585	1	2213618	PLUG-relay valve-inlet valve. 1/4 pipe thd., 1/2" long rd. soc. hd. Part of 2390014 valve.
4. 3585	2	N. P. N.	PLUG-relay valve-3/8" hex. hd. plain brass. Procure locally. Part of 2390014 valve.
4. 3585	1	N. P. N.	PLUG-relay valve-1/2 hex. hd. plain brass. Procure locally. Part of 2390014 valve.
4. 3585	1	117244	PLUG-relay valve-1/4-18 sw. hd. steel. Part of 2390014 valve.
4. 3588	1	2356198	RING-clamping, relay valve-incl. 12 pt. serrated hd. bolt and nut. Repl. 2296435. Part of 2339533 valve.
4. 3588	1	2364459	RING-clamping, relay valve-exhaust valve. Part of 2339533 valve.

4. 3590	1	2252862	RING-relay valve-inlet diaphragm. Part of 2390014 valve.
4. 3590	1	2401700	RING-relay valve-retaining-inlet valve. Part of 2390014 valve.
4. 3595	1	274947	RING-snap-relay valve strainer plate.
4. 3596	1	9411542	RING-retaining, check valve. Part of 2339533 valve.
4. 3598	1	2405341	SCREW-relay valve-retaining. exhaust diaphragm washer. #10-32 x 9/16" rd. cross recessed. W/int. tooth lkwsr. Part of 2390014 valve.
4. 3598	2	2400206	SCREW-relay valve-inlet valve to body. #10-32 x 9/16 rd. hd. cross recessed. W/int. tooth lkwsr. Part of 2390014 valve.
4. 3608	2	2264298	SEAL-relay valve-W/diaphragm plunger. Cup ring. Part of 2339533 valve.
4. 3608	1	2206727	SEAL-relay valve intake valve cup ring. Repl. 2296440. Part of 2339533 valve.
4. 3615	1	2309276	SEAT-relay valve intake valve. Part of 2339533 valve.
4. 3625	1	2296437	SPRING-relay valve diaphragm-diaphragm & plunger return. Part of 2339533 valve.
4. 3630	1	2325927	SPRING-relay valve. Part of 2339533 valve.
4. 3630	1	2324948	SPRING-relay valve-inlet & exhaust valve-inner. Part of 2339533 valve.
4. 3630	1	2401699	SPRING-relay valve-inlet valve-Part of 2390014 valve.
4. 3630	1	2296450	SPRING-relay valve, inlet & exhaust. - Outer. Part of 2339533 valve.
4. 3633	1	2315883	STRAINER-relay valve-exhaust. Part of 2296536.
4. 3634M	1	2324946	STEM-relay valve intake valve. Part of 2339533 valve.
4. 3642	1	2324944	VALVE-relay valve exhaust. Part of 2339533 valve.
4. 3643	1	2324945	VALVE-relay valve intake. Part of 2339533 valve.
4. 3643	1	2399499	VALVE-relay valve intake-inlet complete W/spring, cap valve only, ring, grommet and plug. Part of 2390014 valve.
4. 3643	1	2402203	VALVE-relay valve intake-inlet. valve only. Part of 2390014 valve.
4. 3644	1	N. P. N.	VALVE-check, relay valve-exhaust valve. Incl. diaphragm and washers. Use kit 2377774. Part of 2339533 valve.
4. 3645	1	2339536	VALVE-relay valve intake & exhaust. Incl. spring, ring & grommet. Repl. 2296434. Part of 2339533 valve.
4. 3648	1	2294829	WASHER-relay valve-check valve diaphragm.
4. 3648	1	2294830	WASHER-relay valve-check valve screw. Part of 2339533 valve.
4. 3648	1	2275913	WASHER-relay valve-cover bolt. Part of 2390014 valve.
4. 3650	8	2303902	WASHER-relay valve diaphragm-seal washer W/clamping plate screw. Part of 2339533 valve.
4. 3650	1	2405341	WASHER-relay valve diaphragm-exhaust diaphragm. .172 ID x 4-5/64 OD cup shaped. Part of 2390014 valve.

AIR BRAKE SAFETY VALVE

4. 3660	1	2255197	VALVE-safety, brake-at air tank. W/3/8 pipe thd.
4. 3665	1	266807	BALL-safety valve.
4. 3670	1	319333	NUT-adj. safety valve.
4. 3675	1	319334	NUT-lock, safety valve.
4. 3685	1	319331	PIN-safety valve release.
4. 3695	1	319330	SEAT-safety valve release.
4. 3700	1	319332	SPRING-safety valve release pin

AIR PRESSURE REGULATING VALVE

4. 3708	1	2083515	VALVE-regulating, air pressure-aux. tank line in LH front compt. Incl. body, cover, dampner, diaphragm, adj. screw, seat and spring. B.W.
4. 3708	1	2333539	VALVE-regulating, air pressure-W/S wiper line under dash. Incl. body, cover, cap, gasket, diaphragm, spring, adj. screw, nut and relief valve. Midland.
4. 3710	1	2085274	BODY-air pressure regulating valve-Incl. seat.
4. 3710M	1	2301496	CAP-air pressure regulating valve-W/S wiper line.
4. 3711	1	2085276	COVER-air pressure regulating valve.
4. 3711	1	2301494	COVER-air pressure regulating valve-W/S wiper line
4. 3712	1	2130789	DAMPENER-air pressure regulating valve spring.
4. 3713	1	2085275	DIAPHRAGM-air pressure regulating valve. Square.
4. 3713B	1	2301497	GASKET-air pressure regulating valve-relief valve cap. W/S wiper line
4. 3713B	1	2373638	GASKET-air pressure regulating valve-body cover. W/S wiper line.
4. 3713D	1	2301500	KIT-repair air pressure regulating valve-W/S
4. 3713E	1	2301499	NUT-air pressure regulating valve-lock. adj. spring-W/S wiper line.
4. 3713K	1	2341363	RETAINER-air pressure regulating valve-relief valve. W/S wiper line.
4. 3714	1	2301492	SCREW-adj. air pressure regulating valve-W/S wiper line.
4. 3714	1	2085279	SCREW-adj. air pressure regulating valve spring.
4. 3715	1	2248187	SEAT-air pressure regulating valve.
4. 3716	1	1085278	SEAT-air pressure regulating valve spring.
4. 3717	1	2085277	SPRING-air pressure regulating valve.
4. 3717	1	2301498	SPRING-air pressure regulating valve-pressure adj. W/S wiper line

4. 3717	1	2301495	SPRING-air pressure regulating valve-relief valve. W/S wiper line.
4. 3717J	1	2341362	VALVE-relief, air pressure regulating valve-inner W/S wiper line.
4. 3719B	1	2323633	BRACKET-air control valve-mtg. screw #10-32 x 1/2 pan hd.

AIR PRESSURE CUT-OFF AND CONTROL VALVE

NOTE: The following parts in this group are eff W/chassis 1966.

4. 3719E	1	2322807	VALVE-cut-off, air pressure-Incl. cover, diaphragm, seat and spring.
4. 3719F	1	9028717	VALVE-control, air line. Incl. grommet, lever, nut, pin, plunger, spring and valve.
4. 3719F	1	2398341	VALVE-control, air line-body only.
4. 3719G	1	2324942	COVER-cut-off valve-bolt 1/4-20 x 7/8 pan. hd. cross recess.
4. 3719J	1	2334885	DIAPHRAGM-cut-off valve.
4. 3719K	1	2339429	GROMMET-control valve-35/64 ID x 3/4 OD x .103 thk, rubber.
4. 3719K	1	2247608	GROMMET-control valve-plunger. 5/16 ID x 7/16 OD x 1/16 thk., rubber.
4. 3719L	1	2306374	LEVER-control valve.
4. 3719M	1	2306377	NUT-control valve-cap. 11/16-16 ext. thd. at one end. 1/8 dryseal int. thd. at other end 7/8 hex.
4. 3719N	1	2325626	PLATE-air control valve support.
4. 3719N	1	N. P. N.	PIN-control valve lever-3/16 dia. x 1 in. long. Procure locally.
4. 3719P	1	118831	PLUG-control valve-1/8-27 SL. hdls., brass.
4. 3719Q	1	2306371	PLUNGER-control valve.
4. 3719Q	1	2405332	PLUNGER-control valve-W/1/8" drilled hole below head. Part of 9028717 valve.
4. 3719R	1	2324940	SEAT-cut-off valve spring
4. 3719T	1	2313145	SPRING-control valve-27/64 OD x 43/64 Approx free length
4. 3719T	1	2306372	SPRING-control valve-plunger return. 5/16 ID x 47/64 Approx. free length.
4. 3719V	1	2339428	SPRING-cut-off valve.

AIR GOVERNOR

4. 4860	1	324523	GOVERNOR-air-type O-1, flat:
4. 4860	1	2309860	GOVERNOR-air-type D. Cylindrical. Diaphragm type. Stpd. 224333. Used W/compressor. Stpd. 225289.
4. 4860	1	2338169	GOVERNOR-air-type D. Cylindrical. Diaphragm type. Stpd. 226363. Used W/compressor. Stpd. 226499.
4. 4865	1	324529	BODY-air governor-die cast incl. tube. Part of type O-1 governor.
4. 4865	1	2313035	BODY-air governor-valve. Incl. bushing, and grommet. Screw 1/4-20 x 5/8 pan hd. To spring cage. Part of type D governor.
4. 4870	1	235830	BODY-air strainer-Used W/type O-1 governor.
4. 4880	1	324530	BRACKET-air governor adjusting screw-Part of type O-1 governor.
4. 4881	1	2313052	BUSHING-air governor valve body-guide. .188 ID x .352 OD x .312 long. Sld. Part of type D governor.
4. 4882	1	2313045	CAGE-air governor spring-part of type D governor. Stpd. 224333.
4. 4882	1	2338197	CAGE-air governor spring. Part of governor Stpd. 226363.
4. 4883	2	2313051	CAP-air governor-screw type. 1-3/16-16 x 5/8 Stpd. BW #6. Part of type D governor.
4. 4884	2	2313050	CAP-air governor air filter-Screw type. 11/16-16 x 13/16. Part of type D gov.
4. 4885	1	648507	CAP-air governor air strainer-used W/type O-1 governor.
4. 4890	1	324526	CASE-air governor-part of type O-1 governor.
4. 4895	1	324527	COVER-air governor-part of type O-1 governor.
4. 4900	1	235831	CUP-air governor air strainer-used W/type O-1 governor.
4. 4902	1	2313055	DIAPHRAGM-air governor-diaphragm only. Part of type D governor.
4. 4903E	2	2313049	FILTER-air governor-Part of type D governor.
4. 4903F	2	2313054	FOLLOWER-air governor diaphragm-part of type D governor.
4. 4904E	2	2337549	GROMMET-air governor cap-filter cap. 1/2 ID x 3/4 OD x 1/8 thk, rubber. Part of type D governor. Repl. 2206727.
4. 4904F	2	2337550	GROMMET-air governor cap-valve body cap. .984 ID x 1.234 OD x .125 thk, rubber. Part of type D governor. Repl. 2249866.
4. 4904G	1	2275078	GROMMET-air governor diaphragm stem-3/8 ID x 1/2 OD x 1/16 thk, rubber. Part of type D governor. Repl. 2338303.
4. 4904H	1	2313039	GROMMET-air governor-inlet valve seat. 9/16 ID x 3/4 OD x 3/32 thk, rubber. Part of type D governor.
4. 4904J	1	2252863	GROMMET-air governor exhaust stem-in valve body. 3/16 ID x 5/16 OD x 1/16 thk. Part of type D governor.
4. 4905	1	324533	GUIDE-air governor valve-part of type O-1 governor.
4. 4908	1	2313048	NUT-air governor adjusting-1/4-28 sld. hex. Part of type D governor.
4. 4908	1	2410502	NUT-air governor adjusting-at stem. 1/4"-28 hex. 5/16" long.
4. 4910	1	324535	NUT-air governor adjusting screw-part of type O-1 governor.

4. 4921	1	118831	PLUG-pipe-air governor. Part of type D governor. Stpd. 226363 1/8-27 rd. sltd. hdls.
4. 4925	1	324531	SCREW-adjusting, air governor-1/8-36 x 17/32.
4. 4927	1	2313047	SEAT-air governor graduating spring-part of type D governor
4. 4928	1	2313038	SEAT-air governor inlet valve-Part of type D governor.
4. 4930	AR	2320276	SHIM-air governor-W/valve guide. .002 thk. Part of type O-1 governor.
4. 4930	AR	2313037	SHIM-air governor-valve body .003 thk. Part of type D governor.
4. 4930	AR	2320277	SHIM-air governor-W/valve guide. .006 thk. Part of type O-1 governor.
4. 4930	AR	2126284	SHIM-air governor-Valve body .010 thk. Part of type D governor.
4. 4940	1	077158	SPRING-air governor-W/valve. Part of type O-1 governor.
4. 4940	1	9028045	SPRING-air governor-exhaust stem. Part of type D governor
4. 4940	1	2313046	SPRING-air governor-graduating or pressure setting. Part of type D gov.
4. 4940	1	2313041	SPRING-air governor-inlet valve. Part of type D governor.
4. 4940	1	2313042	SPRING-air governor-retaining, inlet valve seat. Part of type D governor.
4. 4941	1	2411053	STEM-air governor diaphragm-Part of type D governor.
4. 4942	1	2385326	STEM-air governor exhaust-part of type D governor.
4. 4945	1	648506	STRAINER-air governor-Incl. body, cup, cap & strainer. Part of type O-1 gov.
4. 4945	1	235832	STRAINER-air governor-strainer only. Part of type O-1 governor.
4. 4950	1	233269	VALVE-air governor-upper. Part of type O-1 governor.
4. 4950	1	324532	VALVE-air governor-lower. Part of type O-1 governor.
4. 4950	1	2313040	VALVE-air governor-inlet exhaust. Part of type D governor.
4. 4955	2	2282809	WASHER-air governor-filter. .178 ID x .513 OD x .094 thk., rubber. Part of type D governor.

AIR TANK

4. 5010	1	2296461	TANK-air-front
4. 5010	1	2301788	TANK-air-rear
4. 5025	1	2295276	BRACKET-air tank support W/front tank
4. 5035	1	798004	COCK-air tank drain-front tank
4. 5035	1	2299554	COCK-air tank drain-rear tank.
4. 5038	AR	2224544	LOOM-air tank U-bolt-5/16 in. ID 25 ft. long-CTL. Repl. R 15037
4. 5043	1	143980	PLUG-air tank-3/8 in. sq-hd. pipe. W/front tank.
4. 5045	2	2296563	STRAP-air tank support-W/front tank brkt.
4. 5055	4	2224296	U-BOLT-air tank support-Front and rear tank
4. 5058	4	2219723	WASHER-air tank bolt-Repl. 2259890

AIR COMPRESSOR

4. 5200	1	2194818	COMPRESSOR-air-12 cu. ft. Stpd. 225289
4. 5200	1	2370586	COMPRESSOR-air-12 cu. ft. Stpd. 228332. W/cup type unloader. Repl. 2336114 W/O ring type unloader.
4. 5203M	1	9025432	KIT-air compressor-unloader valve. O ring type consist of piston, spring, seat, plunger, guide and gasket.
4. 5203M	1	2374490	KIT-air compressor-unloader valve. Cup type. Incl. cups, gaskets, piston, saddle, seat, springs, stops head gasket, air governor gasket and strainer gasket.
4. 5205	1	2192367	ADAPTER-air compressor air inlet W/compressor Stpd. 225289.
4. 5205	1	2334781	ADAPTER-air compressor air inlet-W/compressor Stpd. 226499.
4. 5225	4	2244075	BEARING-air compressor connecting rod-Used W/2244074 forged steel connecting rod.

NOTE: The following 4 bearings are used with die cast connecting rod.

4. 5225	4	2385322	BEARING-air compressor connecting rod-std. Part of 2385821, die-cast connecting rod.
4. 5225	4	2385323	BEARING-air compressor connecting rod-.010 U.S.
4. 5225	4	2385324	BEARING-air compressor connecting rod-.020 U.S.
4. 5225	4	2385325	BEARING-air compressor connecting rod-.030 U.S.
4. 5230	1	907207	BEARING-air compressor crankshaft-front. Stpd. #7207 x 1A
4. 5230	1	903011	BEARING-air compressor crankshaft-rear. Stpd. #3-L-11 x 1A
4. 5235	1	2284952	BLOCK-air compressor cylinder-Incl. inlet chamber cover and gasket. Part of 2194818.
4. 5235	1	2370775	BLOCK-air compressor cylinder-Part of 2336114, 2370586. Repl. 2357969. When replacing 2357969 by 2370775 it is also necessary to order 2370773 head gasket.
4. 5255	4	2227140	BOLT-air compressor connecting rod-5/16-24 x 1-27/64. Part of 2244074 forged steel, connecting rod.
4. 5255	4	2374478	BOLT-air compressor connecting rod-5/16"-18 x 1-13/32" hex. Part of 2385821 die-cast connecting rod.

4. 5256	4	5176475	BOLT-air compressor drive disc-3/8-24 x 1-5/16.
4. 5275	2	2227139	BUSHING-air compressor piston pin-Part of 2244074 forged steel connecting rod.
4. 5275	2	2391400	BUSHING-air compressor piston pin-Part of 2385821 die-cast connecting rod.
4. 5283	1	098907	BUTTON-air compressor unloader valve. Part of 2194818.
4. 5292	1	2355610	COUPLING-air compressor drive. W/drive disc.
4. 5294	1	2244070	COVER-air compressor crankcase.
4. 5295	1	2227113	COVER-air compressor crankshaft-rear
4. 5300	1	2307478	COVER-air compressor diaphragm-Repl. 2284928. Part of 2194818.
4. 5303	1	2338181	COVER-air compressor governor hole-Part of 2336114 compressor.
4. 5310	1	708876	COVER-air compressor inlet chamber. Part of 2194818.
4. 5315	1	2294847	CRANKCASE-air compressor. Part of 2194818.
4. 5315	1	2357971	CRANKCASE-air compressor. Part of 2336114, 2370586
4. 5320	1	2227110	CRANKSHAFT-air compressor.
4. 5322	2	2370777	CUP-air compressor unloader-Part of 2370586 compressor.
4. 5325	2	2264704	DIAPHRAGM-air compressor. Part of 2194818.
4. 5327	1	2136944	DISC-air compressor drive
4. 5330	1	2267156	ELBOW-air compressor discharge-flange at both ends.
4. 5335	1	2264706	FOLLOWER-air compressor diaphragm. Part of 2194818.
4. 5338	1	5110410	GASKET-air compressor adapter-Part of 2336114, 2370586.
4. 5343	1	2192907	GASKET-air compressor base-compressor to engine.
4. 5353	1	2305386	GASKET-air compressor crankcase cover-Repl. 2227109.
4. 5355	1	2305384	GASKET-air compressor crankshaft cover-Rear. Repl. 2227112.
4. 5360	1	2305383	GASKET-air comp. cyl. block to crankcase. Repl. 2227107.
4. 5365	1	2305385	GASKET-air compressor cylinder head. Repl. 2284954. Part of 2194818.
4. 5365	1	2370773	GASKET-air compressor cylinder head-Part of 2336114.
4. 5365	1	2370773	GASKET-air compressor cylinder head-Part of 2370586 compressor.
4. 5367	1	2309255	GASKET-air compressor diaphragm cover-Repl. 228492. Part of 2194818.
4. 5370	1	2015340	GASKET-air compressor discharge elbow
4. 5371	2	2338304	GASKET-air compressor governor-Part of 2336114, 2370586.
4. 5375	1	708871	GASKET-air compressor inlet chamber cover W/compressor Stpd. 225289.
4. 5381	2	9025984	GROMMET-air compressor unloader-Part of 2370586 compressor.
4. 5385	1	232033	GUARD-dust, air compressor diaphragm. Part of 2194818.
4. 5387	2	3767267	GUIDE-air compressor inlet valve-Part of 2336114.
4. 5387	2	3767267	GUIDE-air compressor inlet valve-Part of 2370506 W/alum pistons.
4. 5390	1	2294848	HEAD-air compressor cylinder-complete Part of 2194818.
4. 5390	1	2338188	HEAD-air compressor cylinder-W/valve seats. Part of 2336114, 2370586.
4. 5392	1	2136945	HUB-air compressor drive-W/drive disc.
4. 5395	1	2227111	KEY-air compressor crankshaft.
4. 5400	1	2264703	LEVER-air compressor unloading valve-Incl. button. Part of 2194818.
4. 5410	1	098909	NUT-air compressor crankshaft-3/4-16.
4. 5415	2	2227144	NUT-cap, air compressor discharge valve. Part of 2194818.
4. 5415	2	2338189	NUT-cap, air compressor discharge valve-Part of 2336114, 2370586.
4. 5420	1	2227147	PIN-air compressor unloading valve lever. Part of 2194818.
4. 5425	2	2227118	PIN-air compressor piston. Part of 2194818.
4. 5428	2	2373066	PISTON-air compressor unloader-Incl. grommet. Part of 2370586 compressor.
4. 5430	2	9023238	PISTON-air compressor-Std. Part of 2194818.
4. 5430	2	9023433	PISTON-air compressor-.010 OS. Part of 2194818.
4. 5430	2	9023434	PISTON-air compressor-.020 OS. Part of 2194818. Repl. 2284926.
4. 5430	2	9023435	PISTON-air compressor-.030 OS. Part of 2194818.
4. 5430	2	2343289	PISTON-air compressor-Std. Incl. pin. Part of 2336114, 2370586, cast iron.
4. 5430	2	2360864	PISTON-air compressor-Std. Incl pin. Alum.
4. 5430	2	2343290	PISTON-air compressor-.010 OS. Incl. pin. Part of 2336114, 2370586, cast iron
4. 5430	2	2360865	PISTON-air compressor-.010 OS. Incl pin. Alum.
4. 5430	2	2343291	PISTON-air compressor-.020 OS. Incl. pin. Part of 2336114, 2370586, cast iron
4. 5430	2	2360866	PISTON-air compressor-.020 OS. Incl. pin. Alum.
4. 5430	2	2343292	PISTON-air compressor-.030 OS. Incl. pin. Part of 2336114, 2370586, cast iron
4. 5430	2	2360867	PISTON-air compressor-.030 OS. Incl. pin. Alum.
4. 5435	1	118831	PLUG-air compressor crankcase-1/8 SL hdl's. pipe W/end cover.
4. 5440	1	143194	PLUG-air compressor cyl. block-7/8 exp. Repl. 103893.
4. 5440	1	2213618	PLUG-air compressor cyl. block-1/4" pipe thd. 1/2" long, rd. socket hd.
4. 5440	1	117244	PLUG-air compressor cyl. block, part of 2336114
4. 5445	AR	147863	PLUG-air compressor cyl. head-3/8 pipe
4. 5452	1	2227114	RETAINER-air compressor brg. -CK/shaft front
4. 5455	2	2226150	RETAINER-air compressor piston pin-lock wire Part of 2194818.
4. 5455	2	2338185	RETAINER-air compressor piston pin. Lock wire part of 2336114, 2370586.
4. 5465	1	075519	RING-air compressor-Crankshaft-rear seal ring
4. 5480	1	2301524	RING SET-air compressor piston-Std., cast iron

4. 5480	2	2360859	RING SET-air compressor piston-std. alum.
4. 5480	1	2301525	RING SET-air compressor piston-.010 OS, cast iron
4. 5480	1	2360860	RING SET-air compressor piston-.010 OS, alum.
4. 5480	1	2301526	RING SET-air compressor piston-.020 OS, cast iron
4. 5480	1	2360861	RING SET-air compressor-.020 OS, alum.
4. 5480	1	2301527	RING SET-air compressor piston-.030 OS, cast iron
4. 5480	1	2360862	RING SET-air compressor.030 OS, alum.
4. 5495	2	2209500	RING-retaining, air compressor unloader valve spring. Part of 2194818.
4. 5500	2	2244074	ROD-connecting, air compressor W/cap, incl. pin, bushing, bolt and nut. Forged steel.
4. 5500	2	2389821	ROD-connecting, air compressor-W/cap. Incl. bearing, bolt and bushing. Die cast.
4. 5503	1	2370779	SADDLE-air compressor unloader spring-Part of 2370586 compressor.
4. 5510	2	695987	SCREW-adj., air compressor unloading valve lever. -1/4-20 x 3/4. Part of 2194818.
4. 5514	10	2357968	SCREW-cap, cylinder head. Part of 2336114.
4. 5516	6	088416	SCREW-air comp. crankcase cover
4. 5525	2	2227148	SEAT-air compressor valve-Discharge. Part of 2194818.
4. 5525	2	2352141	SEAT-air compressor discharge valve. Part of 2336114, 2370586.
4. 5525	2	2227149	SEAT-air compressor valve-unloader. Part of 2194818.
4. 5525	1	2364475	SEAT-air compressor valve-unloader.
4. 5545	2	2028999	SPRING-air compressor. Discharge valve
4. 5547	2	2338180	SPRING-air compressor inlet valve. Part of 2336114, 2370586
4. 5555	2	232039	SPRING-air compressor unloading valve. Part of 2194818.
4. 5555	1	2406924	SPRING-air compressor. Unloading. Part of 2336114, 2370586.
4. 5560	2	232030	SPRING-air compressor unloading valve lever. Part of 2194818.
4. 5562	2	2355613	SPRING-air compressor coupling damper.
4. 5565	2	2209951	STOP-air compressor unloading valve. Part of 2194818.
4. 5565	2	453632	STOP-air compressor unloader valve-cup. Part of 2370586 compressor.
4. 5570	4	2191113	STUD-air compressor mounting-compressor to flywheel housing.
4. 5571	AR		STUD-air compressor crankshaft cover-5/16 x 1-3/4. Procure locally.
4. 5573	6	098910	STUD-air compressor cyl. block-cyl. head to block. Part of 2194818.
4. 5576	2	2103355	STUD-air compressor discharge elbow-5/16-18-24 x 2-1/8. Part of 2194818.
4. 5576	2	2227116	STUD-air compressor discharge fitting to head.
4. 5585	2	2227143	VALVE-air compressor discharge.
4. 5587	2	2338178	VALVE-air compressor inlet. Part of 2336114, 2370586.
4. 5590	2	2227146	VALVE-air compressor unloading. Part of 2194818.

AIR COMPRESSOR DISCHARGE MUFFLER

4. 5620	1	2214435	MUFFLER-air compressor discharge.
4. 5635	1	647962	COCK-drain, air compressor muffler.

AIR BRAKE PEDAL

NOTE: See group 17 for controls illustration

4. 5780	2	2132383	BUSHING-brake treadle-3/8 ID x 3/4 in. long. Repl. 2195053
4. 5780	1	669977	BUSHING-brake treadle-1/2 ID x 17/32 in. long.
4. 5805	1	663364	COVER-brake treadle pad-rubber
4. 5815	1	2265256	EXTENSION-brake return spring
4. 5877	1	2214457	PLATE-brake treadle-stop plate
4. 5895	1	2296596	ROD-brake control-treadle to application valve operating lever.
4. 5970	1	294721	SPRING-brake treadle return
4. 5995	1	2296576	TREADLE-brake-Incl. bushing
4. 6000	1	144245	YOKE-brake control rod-rod to treadle 1/2-20 adj.

AIR BRAKE LINES

4. 6370	AR	444004	ADAPTER-air line-reducing, 1/2-14 x 1-21/32 in. long
4. 6375	2	2296210	BRACKET-air line-air line instrument
4. 6375	1	2315584	BRACKET-air line-rear brake. 1 in. width, 1/8 in. thk. approx. dev. length 6-3/4 in. long. Eff W/chassis #3866.
4. 6378	2	2061210	BUSHING-air brake line-front brake chamber line thru frame.
4. 6378	1		BUSHING-air brake line-drain cock to muffler 3/4 x 1/4. Procure locally.
4. 6380	1	2305512	CLIP-air line-1-1/2 in. long W/7/32 dia. hole
4. 6380	1	2315583	CLIP-air line-rear brake air line. 5/8 dia. 1 in. wide, .065 in. thk. W/9/32 bolt hole, steel.
4. 6385	AR	071853	CONNECTOR-air brake line-W/3/4 line. 3/4 ext. pipe thd. Incl. sleeve and nut

4. 6385	AR	2021888	CONNECTOR-air brake line-filter to air gauge line
4. 6385	AR	699029	CONNECTOR-air brake line-air line to air gauge hose
4. 6385	AR	2228757	CONNECTOR-air brake line-W/ 3/8 line. 1/2 ext. pipe thd.
4. 6385	1	2215842	CONNECTOR-air brake line-line to frame.
4. 6385	1	317060	CONNECTOR-air brake line-application valve line to aux. control valve. W/ 3/8 line, 1/8 ext. pipe thd., incl. nut and sleeve. Eff W/chassis 1966.
4. 6385	1	2117061	CONNECTOR-air brake line-cut off valve to tee. W/3/4 line. 1/2 ext. pipe thd. Incl. nut and sleeve. Eff W/chassis 1966.
4. 6395	AR	2023662	ELBOW-air brake line-W/3/4 line, 3/4 ext. pipe thd. Incl. sleeve and nut. 90 degree.
4. 6395	1	054989	ELBOW-air brake line-diversion valve line to tank, at tank.
4. 6395	AR	2215630	ELBOW-air brake line-at air tank. W/5/8 line 1/2 pipe thd. 90 degree.
4. 6395	AR	2192173	ELBOW-air brake line-1/2 int. pipe thd.
4. 6395	1		ELBOW-air brake line-W/1/4 line. 1/8 pipe thd. Procure locally.
4. 6395	1	2215808	ELBOW-air brake line-air line to application valve
4. 6395	1	2215808	ELBOW-air brake line-check valve to application valve line. Eff W/chassis 1966.
4. 6395	1	279853	ELBOW-air brake line-aux. brake control line, cut-off valve line tee. Tee to check valve W/3/8 line. 1/8 ext pipe thd. x 90 degree. Incl. nut & sleeve.
4. 6395	1	324524	ELBOW-air brake line-at aux. control valve. Use W/3/8 line, 1/8 ext. pipe thd. x 90 degree. Incl. sleeve and nut. Eff W/chassis 1966.
4. 6395	1	2305236	ELBOW-air brake line-hose to engine stop magnet valve. Eff W/chassis 1615.
4. 6395	1	2261485	ELBOW-air brake line-line to valve.
4. 6395	2	2023342	ELBOW-air brake line-line to magnet valve
4. 6395	1	699028	ELBOW-air brake line-to air cylinder. W/1/4 line, sleeve and nut at one end, 1/8 pipe thd. at other end. 90 degree.
4. 6395	1	2306653	ELBOW-air brake line-to air cylinder. W/1/4 line, sleeve & nut at one end, 1/4 pipe thd. at other end. 90 degree.
4. 6395	1	2023663	ELBOW-air brake line-line to frame fitting.
4. 6395	1	2212229	ELBOW-air brake line-line to application valve. Repl. 2105551.
4. 6395	1	2212229	ELBOW-air brake line-body. For use W/3/4 in. line W/1/2 in. ext. thd. at one end, 1-18 ext. thd. at other end. 90 degree.
4. 6395	AR		ELBOW-air brake line-brake chamber hose. 1/4 x 90 degree. Procure locally.
4. 6400	AR	127979	GROMMET-air brake line-3/4 ID-1-3/8 OD
4. 6400	1	2225101	GROMMET-air brake line-1-1/8 ID x 1-7/8 OD
4. 6400	2	2261791	GROMMET-air brake line-1-3/16 ID x 1-9/16 OD
4. 6405	1	2367328	HOSE-air brake-air gauge line. 1/4 ID
4. 6405	1	2265061	HOSE-air brake-air governor to compressor. 20-13/16 in. long. Used W/air governor #324523.
4. 6405	1	2326504	HOSE-air brake-air compressor to air line tee. 15-13/16 in. long. Used W/air governor #2309860.
4. 6405	2	2399678	HOSE-air brake-front brake chamber.
4. 6405	2	2093709	HOSE-air brake-rear brake chamber.
4. 6405	1	2265060	HOSE-air brake-magnet valve to shut off cylinder
4. 6405	1	2267157	HOSE-air brake-air compressor discharge. 24-1/2 in. long
4. 6410	AR	2224976	LINE-air brake-1/4 OD. Repl. R-31092.
4. 6410	AR	2224980	LINE-air brake-3/8 OD, .049 wall, 25 ft. long., copper. CTL
4. 6410	AR	2335012	LINE-air brake-1/2 OD, .049 wall, 25 ft. long, copper. CTL
4. 6410	AR	2224986	LINE-air brake-3/4 OD, copper. 10 ft. straight lgth. CTL
4. 6410	AR	2224978	LINE-air brake 5/16 OD, 25 ft. long. CTL
4. 6410	AR	2224985	LINE-air brake-5/8 OD. Repl R-32433
4. 6410	1	2194894	LINE-air brake-air compressor inlet W/compressor Stpd. 2194894.
4. 6410	1	2334782	LINE-air brake-air compressor inlet. W/compressor Stpd. 226499.
4. 6410	1	2296288	LINE-air brake-discharge muffler to air tank
4. 6410	AR	R-32433	LINE-air brake-application valve to frame fitting 4 ft. req'd.
4. 6410	1	N. P. N.	LINE-air brake-air tank to application valve 18-5/16 in. long. Early type
4. 6410	1	2315574	LINE-air brake-air tank to application valve 17 in. long. Later type. Prior to chassis 1966.
4. 6410	1	2323645	LINE-air brake-air tank to application valve 14-1/4 in. long. Eff W/chassis 1966.
4. 6410	1	2300850	LINE-air brake-air tank to relay valve, front line
4. 6410	1	2300002	LINE-air brake-frame fitting to rear tank
4. 6410	1	2300850	LINE-air brake-union to front tank
4. 6410	1	5115567	LINE-air brake-internal. Air compressor-supercharge. W/flange. Part of eng.
4. 6415	AR	2224541	LOOM-air brake line-1/4 ID. Repl. R-15036 25 ft. long-CTL
4. 6415	AR	2224546	LOOM-air brake line-1/2 ID. Repl. R-15041. 25 ft. long-CTL
4. 6415	AR	2224547	LOOM-air brake line-9/16 ID. Repl. R-15042. 25 ft. long-CTL
4. 6415	AR	2224549	LOOM-air brake line-3/4 ID, Repl. R-15045, 25 ft. long-CTL
4. 6415	AR	2224544	LOOM-air brake line-5/16 ID. Repl R-15037, 25 ft. long-CTL

4. 6415	AR	2224545	LOOM-air brake line-3/8 ID. Repl. R-15039. 25 ft. long CTL
4. 6415	AR	2224548	LOOM-air brake line-5/8 ID. Repl. R-15043. 25 ft. long-CTL
4. 6415	AR	2378672	LOOM-air brake line-11/16 ID. Repl. R-15044. 25 ft. long-CTL
4. 6415	AR	2224750	LOOM-air brake line-support-at divider, front inter-blkd and rear axle frt. blkd. rubber-10 ft. CTL
4. 6417	AR	192032	NIPPLE-air brake line-1/8 x 3/4.
4. 6417	1		NIPPLE-air brake line-3/4 x 1-1/2. Check valve to muffler. Procure locally
4. 6417	1	120286	NIPPLE-air brake line-W/S wiper regulator to tee. 1/4 x 7/8 pipe
4. 6417	1	192076	NIPPLE-air brake line-cut off valve to application valve elbow 1/2 x 2 in. Eff W/chassis 1966.
4. 6420	AR	305321	NUT-air brake line-W/3/8 in. line
4. 6420	AR	692326	NUT-air brake line-W/1/4 in. line
4. 6420	AR	2035147	NUT-air brake line-W/5/8 in. line 13/16-18 thd.
4. 6420	1	2017326	NUT-air brake line-elbow. For use W/3/4 in. line
4. 6420E	1	117244	PLUG-air brake line-W/S wiper pressure regulator valve to air line tee. 1/4-18, steel sq. hd.
4. 6420H	1	2280428	RETAINER-connector, filter to air gauge line-Used W/compressor Stpd. 226499.
4. 6422	1	2366632	SHIELD-air brake line-aux. brake control valve line screw #10-12 x 3/4 pan. hd.
4. 6423	2	144413	SLEEVE-air brake line-W/3/4 in. line
4. 6423	AR	305322	SLEEVE-air brake line-W/3/8 in. line
4. 6423	AR	114628	SLEEVE-air brake line-W/1/4 in. line
4. 6423	AR	2035146	SLEEVE-air brake line-W/5/8 in. line
4. 6423	1	2017100	SLEEVE-air brake line-elbow. For use W/3/4 in. line
4. 6423	1	144424	SLEEVE-air brake line-air compressor air inlet line
4. 6437	AR	2259247	STRAINER-air line
4. 6440	3	2300035	SUPPORT-air brake line-2 in. wide angle
4. 6440	1	2295816	SUPPORT-air brake line-2-3/4 in. wide angle-at RH divider.
4. 6440	2	2305575	SUPPORT-air brake line-2-3/4 in. wide angle-at front inter blkd and rear axle front blkd.
4. 6440	3	2297884	SUPPORT-air brake line-4-1/2 in. wide angle
4. 6445	AR	307215	TEE-air brake line-W/3/8 in. line. 1/4 pipe thd. sleeve nuts 90 degree apart.
4. 6445	1	2276334	TEE-air brake line-air pressure cut-off valve line. For use W/3/8 line, sleeve and nut at one end, 1/4 in. ext. pipe thd. at one end and 1/4 in. pipe int. thd. at one end 1-3/16 in. long
4. 6445	AR	2016881	TEE-air brake line-W/1/4 in. line. 1/4 int. and ext. thd. 1-3/4 in. long
4. 6445	1	2246608	TEE-air brake line-front brake line to elbow
4. 6445	1	2301863	TEE-air brake line-application valve line to tank 2-3/4 in. long. Used. 2299337, line, early type.
4. 6445	1	2315573	TEE-air brake line-application valve line to tank. 2-3/16 in. long. Used W/ 2315574 in. line. Later type.
4. 6445	1	444146	TEE-air brake line-W/S wiper regulator valve to air line tee. 1/8-27 tap pipe. extruded. Type C.
4. 6445	1	2016246	TEE-air brake line-air governor to air tank. W/3/8 line, 1/4 ext. and int. pipe thd. 90 degree apart.
4. 6445	1	2011310	TEE-air brake line-air governor used W/compressor Stpd. 225289.
4. 6445	1	2049421	TEE-air brake line-air tank to governor air line
4. 6447	1	2210506	U-BOLT-air line retainer to panel-used W/compressor Stpd. 226499.
4. 6450	2	318477	UNION-air brake line-W/air tank line. W/3/8 in. line
4. 6450	1	2028929	UNION-air brake line-hose to discharge muffler line W/3/4 in. line

PARKING BRAKENOTE: See Group 17 for controls illustration

4. 6503	8	2027047	BOLT-parking brake drum-7/16-20 x 1-3/8.
4. 6505	18	2280025	BOLT-parking brake lining-lining to shoe.
4. 6520	1	2296615	BRACKET-anchor-parking brake
4. 6530	1	2013648	BRACKET-locating, parking brake
4. 6547	1	2121274	BUSHING-parking brake operating lever-W/lever at brake
4. 6550	2	2013653	BUSHING-parking brake shoe
4. 6570	1	2081698	DRUM-parking brake-Incl. shield
4. 6590	1	2221651	LEVER-parking brake operating-Incl. bushing
4. 6595	1	2142940	LINING-parking brake-11 in. long
4. 6595	1	2142939	LINING-parking brake-10-1/2 in. long
4. 6611	1	2032504	LOCK-parking brake shoe nut-lock spring W/adj. nut
4. 6613	1	669244	NUT-adj. parking brake shoe-inner
4. 6613	1	669243	NUT-adj. parking brake shoe-outer
4. 6614	8	2065147	NUT-parking brake drum-W/drum bolt. 7/16-20

4. 6620	2	2034371	PIN-anchor, parking brake anchor bracket-on trans.
4. 6637	1	2013654	PIN-anchor-parking brake shoe
4. 6642	1	2013656	PIN-parking brake operating lever-short. 2 in. long
4. 6642	1	2013650	PIN-parking brake operating lever-long. 4-1/4 in. long
4. 6648	18	2238349	PLUG-parking brake shoe lining
4. 6664	1	2013651	SCREW-adj. parking brake shoe-Incl. yoke. 10-3/4 in. long
4. 6665	2	2321422	SCREW-lock, parking brake anchor
4. 6680	1	2089976	SHIELD-parking brake-W/brake drum
4. 6685	2	2296594	SHOE-parking brake-Incl. bushing
4. 6735	2	669302	SPRING-parking brake shoe-W/adj. screw
4. 6776	3	074755	STUD-parking brake bracket-on trans. 7/16-14-20 x 2-1/4 W/locating bracket
4. 6776	3	2034370	STUD-parking brake bracket-on trans. 5/8-11-18 x 2-7/16 W/anchor bracket
4. 6806	1	2013655	WASHER-parking brake shoe anchor pin-brake shoe retaining washer
4. 6807	1	059101	WASHER-parking brake shoe spring-W/inner adj. nut

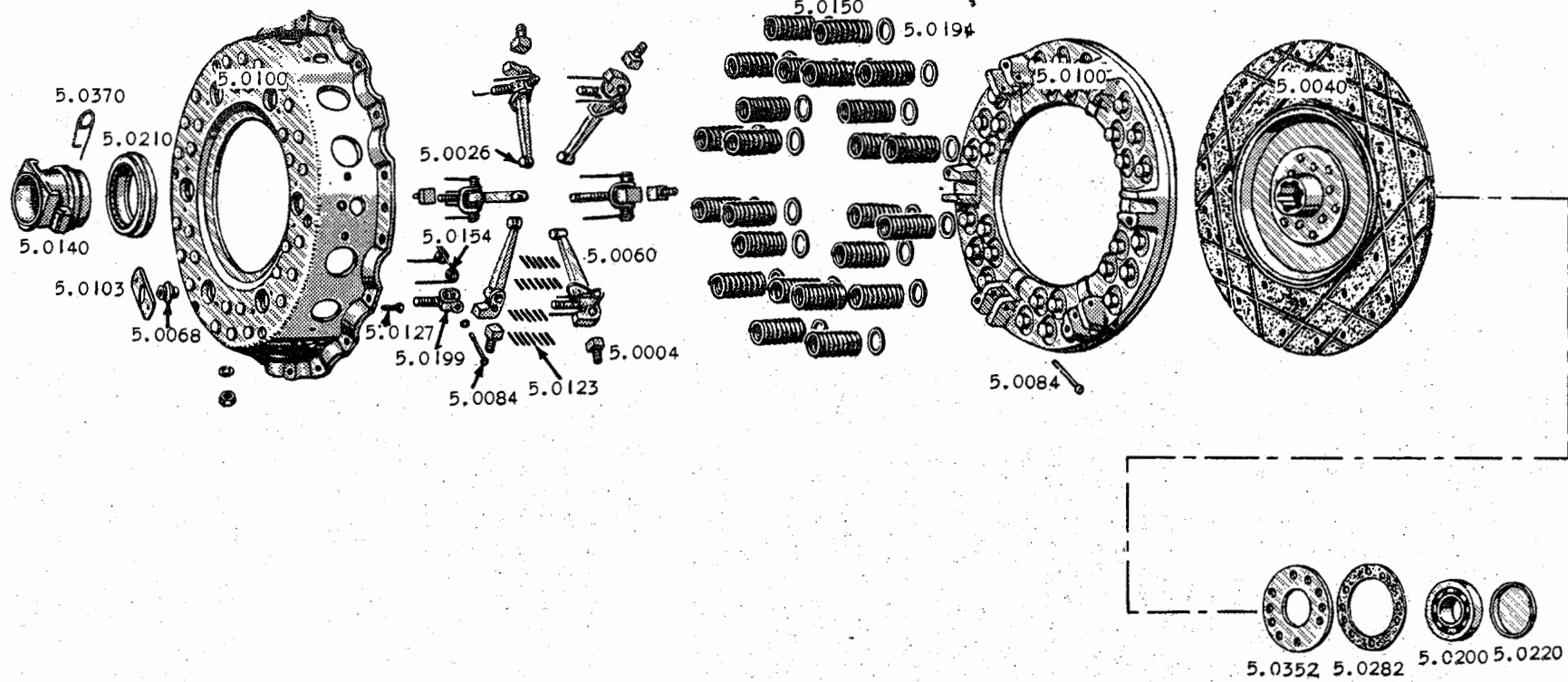
PARKING BRAKE CONTROL

4. 6906	2	148411	BEARING-parking brake idler lever-W/bellcrank lever at rear bulkhead
4. 6908	2	2326596	BELLOWS-parking brake control rod. Repl. 2216365.
4. 6922	4	797195	BOLT-parking brake cross shaft plate
4. 6923	11	2161693	BOLT-parking brake cross shaft support-Support to frame. 5/16-24 x 1-1/16.
4. 6924	2	552491	BOLT-parking brake lever-W/finger lever & pawl rod Repl. 2169594.
4. 6924	1	2202503	BOLT-parking brake lever-pawl to lever
4. 6924	2	2049890	BOLT-parking brake lever-lever to cross shaft.
4. 6940	1	2098180	BOOT-parking brake hand lever
4. 7023	1	2020494	BUSHING-parking brake cross shaft lever
4. 7025	1	2020494	BUSHING-parking brake idler lever-W/bellcrank lever at bulkhead
4. 7057	4	178302	CLAMP-parking brake rod bellows-3/4 dia.
4. 7067	2	2087193	COLLAR-parking brake cross shaft
4. 7068	1	2087055	CONNECTOR-parking brake pawl rod
4. 7085	1	2265256	EXTENSION-parking brake pull back spring
4. 7087	2	2321958	FERRULE-parking brake control rod bellows-Used W/2326956 bellows
4. 7102	AR	2295274	GROMMET-parking brake control rod-1-3/8 in. wide x 2-3/8 long, rubber W/ two 5/8 dia. holes
4. 7102	AR	2295275	GROMMET-parking brake control rod-1-3/8 in. wide x 4-3/8 long, rubber, W/ four holes
4. 7104	1	2087009	HANDLE-parking brake hand lever
4. 7112	1	2221729	HOUSING-parking brake control rod spring-damper
4. 7120	1	552162	LEVER-finger, parking brake hand lever-Repl. 552490, 2169595
4. 7125	1	2087027	LEVER-hand, parking brake-lever only
4. 7130	1	2294952	LEVER-idler, parking brake-bellcrank at bulkhead. Incl. brg. and bushing
4. 7130	1	2115433	LEVER-idler, parking brake-Incl. pin. Between intermediate and rear rods
4. 7135	1	2295231	LEVER-parking brake cross shaft-Incl. bushing
4. 7157	AR	R-35294	LOOM-parking brake control rod-295-1/2 in. Req'd. SBF
4. 7180	1	798028	PAWL-parking brake hand lever
4. 7212	1	2025921	PIN-parking brake idler lever-W/idler lever between intermediate and rear rods
4. 7215	AR	138084	PIN-parking brake rod yoke-3/8
4. 7215	7	138086	PIN-parking brake rod yoke-1/2
4. 7218	4	2096520	PLATE-parking brake cross shaft retainer-brg. retainer
4. 7235	1	2229533	RETAINER-parking brake hand lever boot
4. 7260	1	2296205	ROD-parking brake control-front
4. 7260	1	2294965	ROD-parking brake control-intermediate-between bellcrank lever and idler lever
4. 7260	1	2130771	ROD-parking brake control-rear-idler lever to brake. 1/2-20 x 8 in. long. Straight
4. 7260	1	2379853	ROD-parking brake control-rear, idler lever to brake. 1/2-20 x 8 in. long. Bent
4. 7260	1	2263970	ROD-hand brake control-at clamper
4. 7265	1	2087058	ROD-parking brake hand lever pawl
4. 7315	1	2237362	SECTOR-parking brake
4. 7320	1	2294490	SHAFT-cross, parking brake
4. 7345	2	2025060	SPACER-parking brake hand lever-at finger lever bolt
4. 7370	2	2087260	SPACER-parking brake sector
4. 7385	1	2017681	SPRING-parking brake control rod-W/damper
4. 7385	1	475892	SPRING-parking brake control rod-return spring
4. 7400	1	2343956	SPRING-parking brake hand lever. Repl. 552156
4. 7432	1	2222880	STUD-parking brake control lever-W/bellcrank lever at bulkhead
4. 7435	1	2294514	SUPPORT-parking brake cross shaft-inner
4. 7435	1	2294080	SUPPORT-parking brake cross shaft-outer
4. 7450	4	2295246	SUPPORT-parking brake rod
4. 7450	1	2295900	SUPPORT-parking brake rod-rear

4. 7455	1	2210490	TURNBUCKLE-parking brake rod
4. 7457	2	2219723	WASHER-parking brake control rod-W/damper spring
4. 7458	1	093143	WASHER-parking brake lever-W/bellcrank lever. Stud
4. 7458	1	2221654	WASHER-parking brake lever-W/idler lever. Repl. 653264.
4. 7480	1	144243	YOKE-parking brake control rod-3/8-24
4. 7480	1	2290182	YOKE-parking brake control rod-at damper-Incl. plug

IMPORTANT: Refer to your Final Vehicle Record for Assemblies and Special Equipment (SL's) used on each vehicle.

It is important to always specify serial number of vehicle when ordering or writing about parts.



CLUTCH

CLUTCH

CLUTCH PLATES AND DISC

5.0004	6	5155996	BLOCK-clutch cover plate.
5.0006	6	069184	BOLT-clutch flywheel plate-short. 1/2-13 x 1-3/16.
5.0006	9	069183	BOLT-clutch flywheel plate-long. 1/2-13 x 1-5/8.
5.0026	6	2023355	BUTTON-thrust, clutch release lever.
5.0030	1	2305712	COVER-clutch pressure plate-incl. pressure plate, lever, button, yoke & etc. w/30 springs.
5.0030	1	2306434	COVER-clutch pressure plate-incl. block & locator-less pressure plate.
5.0040	1	2114622	DISC-driven, clutch-long mfg. co. 16-3/4 OD semi-metallic facings. Incl. disc, hub, washer, rivet and slinger.
5.0040	1	2212776	DISC-driven, clutch-incl. facing and rivet part of 2114622.
5.0050	2	2212777	FACING-clutch driven disc-semi-metallic stpd. C-7268-28.
5.0056	1	088640	HUB-driven disc.
5.0060	6	2045406	LEVER-clutch pressure plate-incl. button.
5.0066	AR	2028066	LOCATOR-clutch pressure spring.
5.0068	6	2045401	NUT-adj., clutch release lever-1/2-20 hex. w/flange. Long mfg.
5.0081	3	069186	PIN-dowel, clutch cover plate-1-3/16 in. long.
5.0084	6	088945	PIN-release, clutch lever-at lever. .3315 dia. x 2-3/32.
5.0084	6	2045408	PIN-release, clutch lever-at yoke. .3315 dia. x 2-13/32.
5.0091	1	069182	PLATE-clutch-on flywheel.
5.0100	1	2044550	PLATE-pressure, clutch-incl. pressure plate, lever, yoke & etc.
5.0100	1	2028069	PLATE-pressure, clutch-stpd. C-398 on pressure plate only.
5.0103	6	2045402	PLATE-thrust, release lever.
5.0105	3	069187	RETAINER-dowel pin.
5.0120	AR	2207396	RIVET-clutch facing-.187 dia. .305 long.
5.0123	AR	088947	ROLLER-clutch release lever-168 reqd.
5.0127	12	2045405	SCREW-lock, clutch thrust plate-5/16-24 x 3/4.
5.0140	1	2023554	SLEEVE-clutch release-incl. buttons.
5.0142	1	2099299	SLINGER-oil, clutch driven disc-front.
5.0142	1	2079406	SLINGER-oil, clutch driven disc-rear.
5.0150	AR	088649	SPRING-clutch pressure plate-30 reqd.
5.0154	6	2045409	SPRING-tension, clutch release lever-double coil.
5.0192	1	088641	WASHER-driven disc hub-2-13/32 ID x 5 OD.
5.0194	AR	2028063	WASHER-insulating, clutch pressure spring-7/8 ID x 1-7/16 OD.
5.0195	6	069185	WASHER-lock, clutch plate bolt-17/32 ID x .0478 thk. w/ext. teeth.
5.0199	6	2045407	YOKE-adj., clutch release lever-1/2-20 thrd., 2-3/16 thrd. end to C/L of pin hole.

CLUTCH BEARING

5.0200	1	905644	BEARING-pilot, clutch-stpd. #1306-L-3CA.
5.0210	1	909444	BEARING-release, clutch-stpd. #CT-44XY1C.
5.0210	1	2023346	BEARING-release, clutch-stpd. #214-CT29.
5.0220	1	5155661	BAFFLE-clutch pilot brg. oil wick.
5.0250	2	077360	BUTTON-clutch release brg. collar.
5.0270	1	2333988	CUP-grease, clutch release brg. Repl. 2099225.
5.0280	1	118753	ELBOW-clutch release brg. lubrication line--1/2-45 degree street. Repl. 120627.
5.0282	1	2090873	GASKET-clutch pilot bearing retainer.
5.0290	1	2336122	HOSE-clutch release brg. lubrication. Repl. 2109444.
5.0300	1	2057810	NIPPLE-clutch release brg. Lubrication line.
5.0352	1	2190970	RETAINER-clutch pilot bearing.
5.0370	2	2033222	SPRING-clutch release brg. pull back.

CLUTCH CONTROL

NOTE: See Group 17 for Controls Illustration.

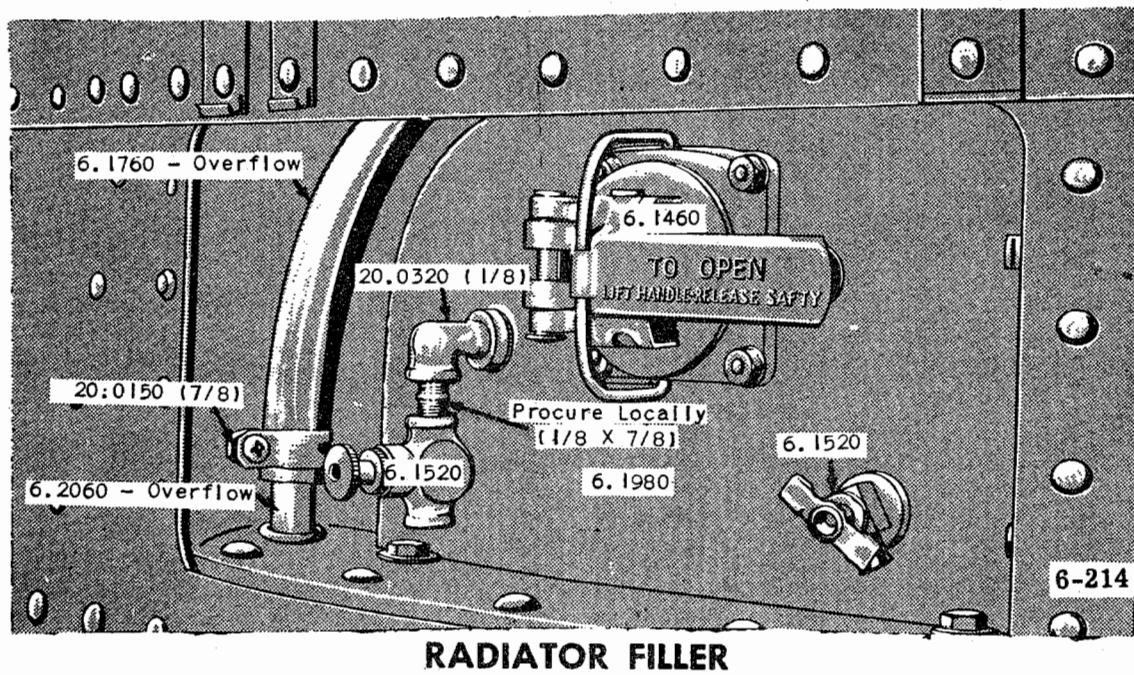
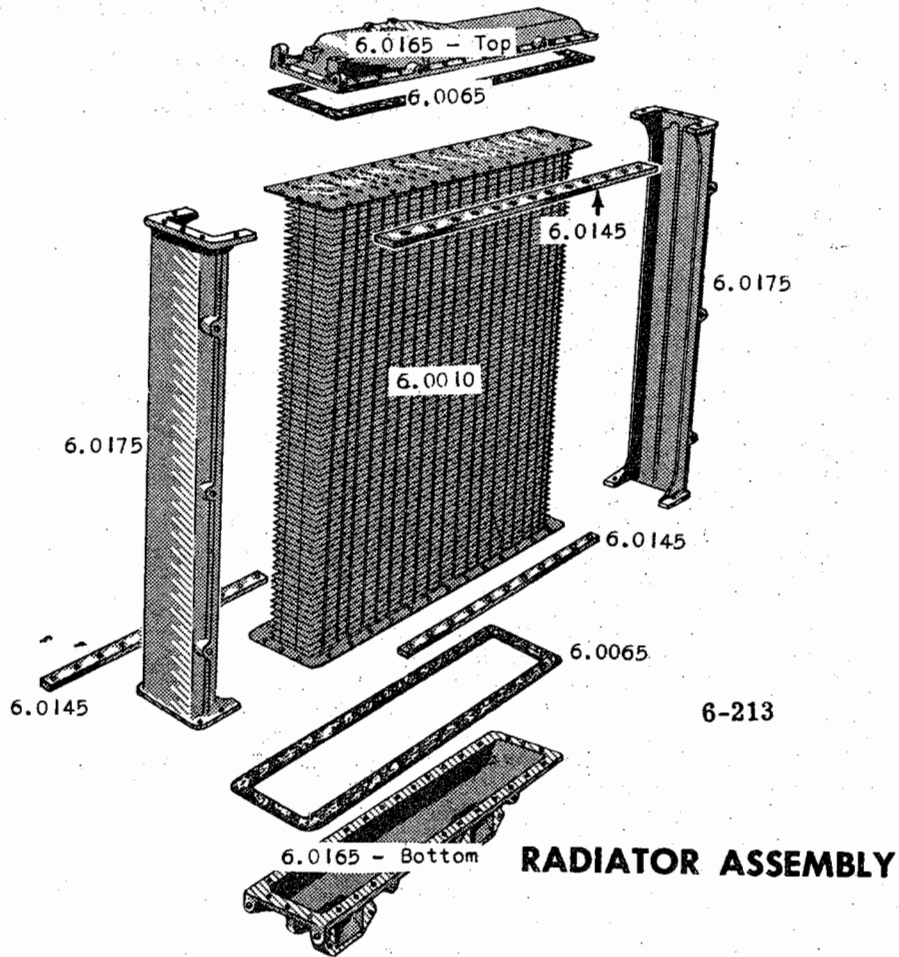
5.0410	2	442629	BEARING-clutch lever-needle.
5.0410	1	148577	BEARING-clutch lever-stpd. VB-1416-GH.
5.0427	2	2326596	BELLOWS-clutch control-repl. 2316365.
5.0442	6	2161693	BOLT-clutch control brg. support-to floor. 5/16-24 x 1-1/16.
5.0500	2	2169478	BRACKET-clutch shaft-cross shaft bearing.
5.0520	1	2214272	BUSHING-clutch lever-pedal. 1.251 x 1-3/8 OD x 1-1/2 in. long.
5.0520	1	2007428	BUSHING-clutch lever-pedal. 3/8 ID x 1/2 OD x 17/32 in. long.
5.0520	1	2007428	BUSHING-clutch lever-cross shaft outer lever 3/8 ID x 1/2 OD x 17/32 in. long.

5.0520	1	2072925	BUSHING-clutch lever-cross shaft inner lever 3/8 ID x 1/2 OD x 13/32 in. long.
5.0535	1	2018905	BUSHING-clutch release fork shaft.
5.0560	2	2087193	COLLAR-clutch lever-pedal to hand brake cross shaft.
5.0560	1	2293376	COLLAR-clutch lever-cross shaft thrust bracket.
5.0578	AR	120401	ELBOW-clutch cross shaft lubrication-1/8 x 90 degree.
5.0600	1	2027600	FORK-clutch release.
5.0605	1	2151288	GASKET-clutch release shaft cover plate.
5.0610	1	357374	GROMMET-clutch pedal rod.
5.0619	2	285690	KEY-clutch-release yoke.
5.0619	1	112139	KEY-clutch-cross shaft. 1/4 x 7/8 woodruff.
5.0619	1	103909	KEY-clutch-throw out lever to shaft. 1/4 x 1-1/8 woodruff.
5.0620	1	2266602	LEVER-clutch-release shaft.
5.0620	1	2294082	LEVER-clutch-pedal. Incl. bushing.
5.0620	1	2294076	LEVER-clutch-cross shaft, outer. Incl. bushing
5.0620	1	2294078	LEVER-clutch-cross shaft, inner. Incl. bushing.
5.0620	1	2368631	LEVER-clutch-bellcrank. At engine blkhd. Incl. bearings & thrust washer. Stpd. 2368604. Repl. 2294540 Stpd. 2294539.
5.0640	2	2294545	LINK-clutch pedal-lever.
5.0655	AR	R 35294	LOOM-clutch control rod-7/16 ID
5.0658	1	192032	NIPPLE-clutch cross shaft lubrication-1/8 x 3/4.
5.0660	1	2048014	NUT-adjusting, clutch control rod.
5.0665	1	2048014	NUT-adjusting, clutch release lever-handle.
5.0680	1	2015097	PAD-clutch pedal.
5.0690	1	2296606	PEDAL-clutch.
5.0695	1	2151287	PLATE-cover, clutch release shaft.
5.0720	2	2115768	PIN-swivel, clutch adj. link rod.
5.0745	3	365927	RIVET-clutch cross shaft bracket-3/16 x 9/16 flat head.
5.0750	1	2282564	ROD-clutch control-incl. yoke. Bell crank to engine.
5.0750	1	2296206	ROD-clutch control-cross shaft to bell crank.
5.0753	2	698401	SCREW-retaining, clutch release fork shaft-7/16-14 x 1-3/16.
5.0780	1	2293782	SHAFT-clutch lever-cross.
5.0800	1	2151669	SHAFT-clutch release fork.
5.0840	1	099159	SPRING-clutch pedal-return.
5.0940	1	2303953	WASHER-clutch lever-thrust.
5.0960	2	144243	YOKE-clutch control rod-to lever. 3/8-24.

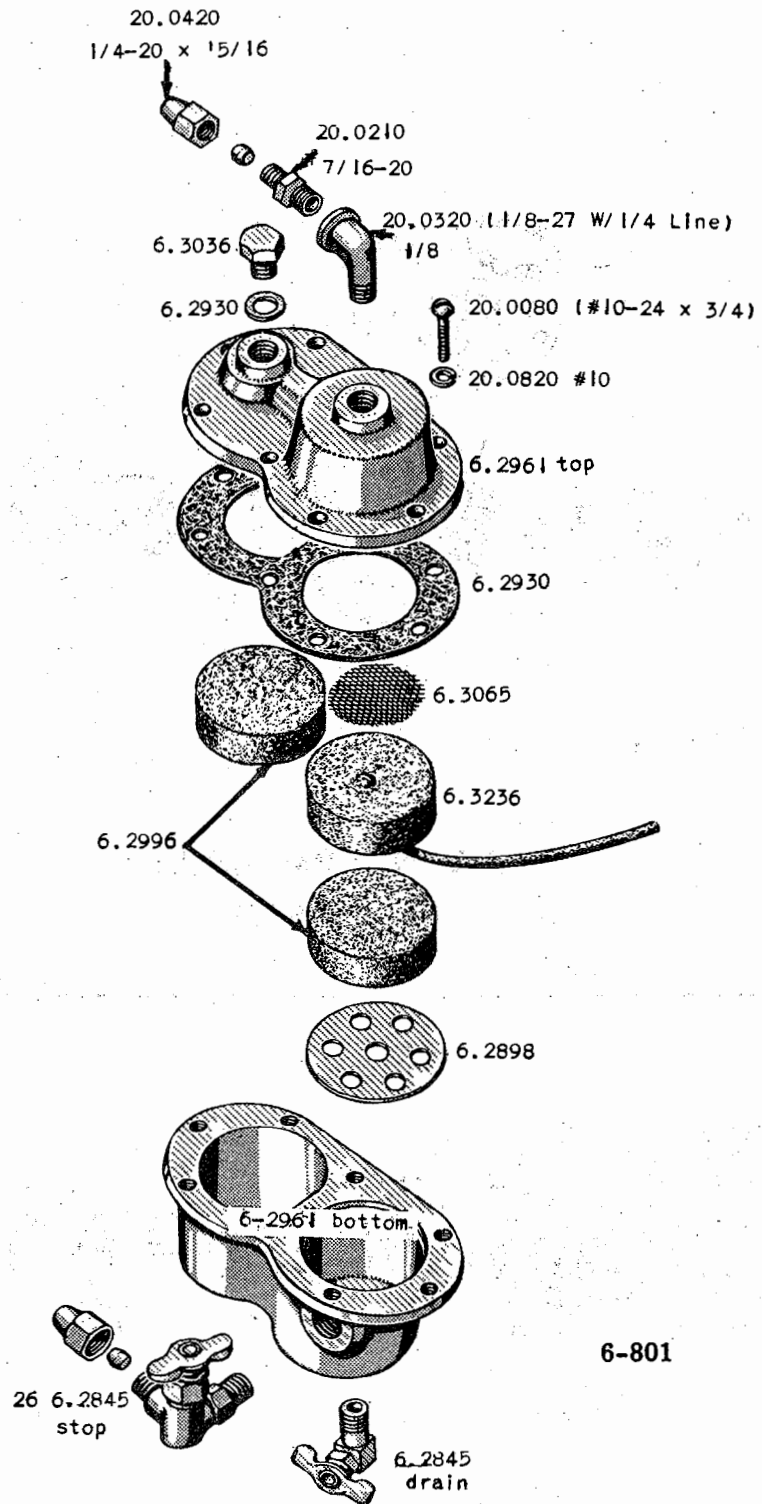
CLUTCH HOUSING

5.0970	1	2210657	HOUSING-clutch-Incl. release brg. oil tube nipple & shifter shaft bushings.
5.0990	1	665553	COVER-clutch housing hand hole.
5.0990	1	2249518	COVER-clutch housing hand hole-top.
5.1000	1	2210662	GASKET-clutch housing.
5.1030	7	2066619	STUD-clutch housing.
5.1040	7	671246	WASHER-clutch housing stud nut.

COOLING

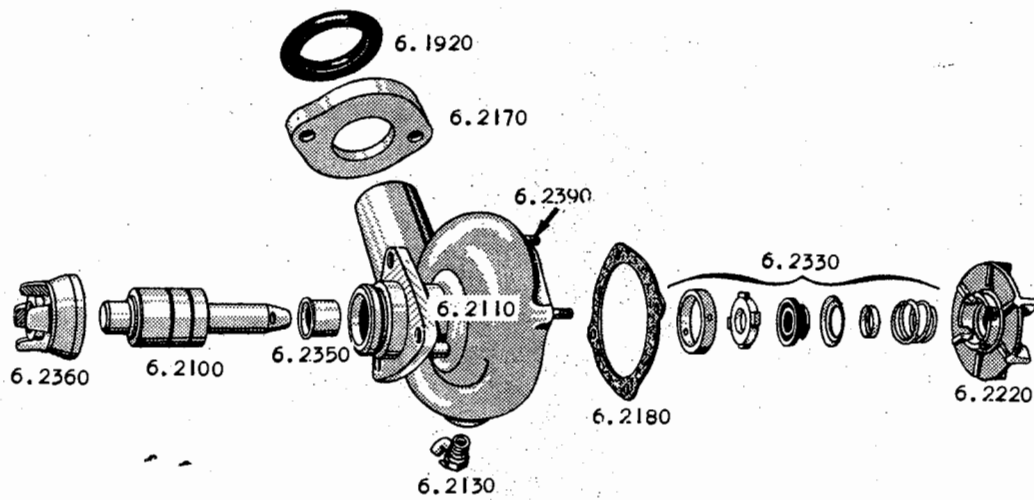


COOLING



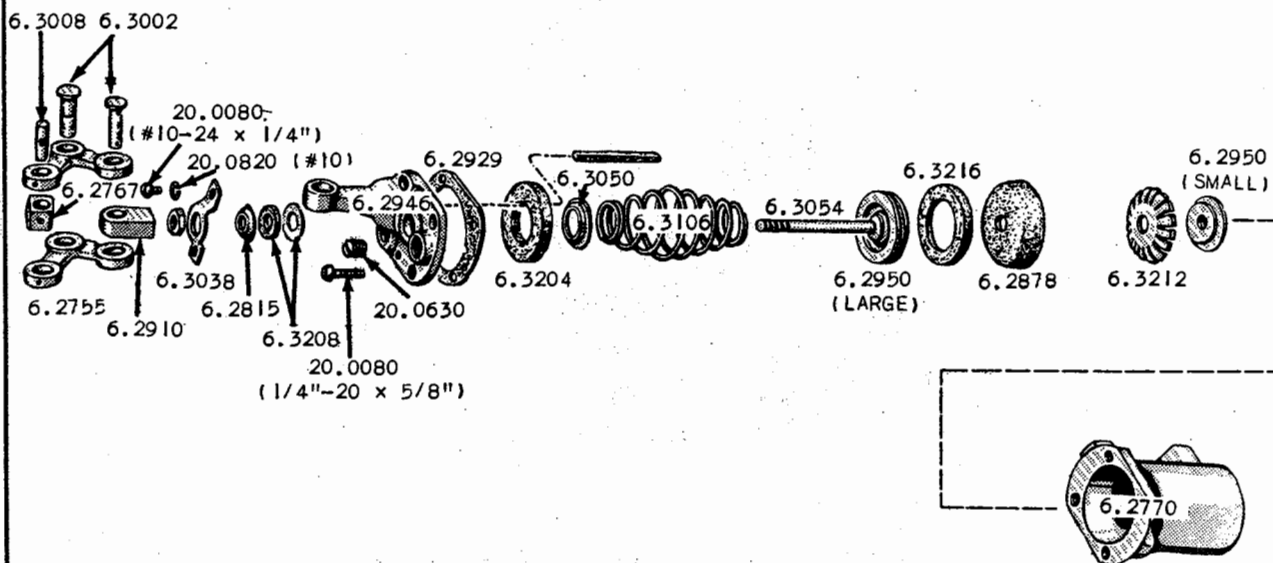
RADIATOR SHUTTER AIR FILTER (2224529)

COOLING



6-13A

WATER PUMP (DIESEL) (5186575)



RADIATOR SHUTTER AIR CYLINDER

(2043283)

6-503

RADIATOR ASSEMBLY

6.0010	1	2262446	CORE-radiator.
6.0065	2	2387074	GASKET-radiator-side member.
6.0145	4	2255200	PLATE-radiator-clamping.
6.0165	1	2254448	TANK-radiator-top. Stpd. 2351701.
6.0165	1	2254449	TANK-radiator-bottom. Stpd. 2351701.
6.0175	2	2405574	SIDEMEMBER-radiator.

RADIATOR MOUNTING

6.0207	4	2025134	BOLT-radiator cushion-7/16-14 x 1-3/8.
6.0208	2	2252377	BOLT-radiator hanger-to rear channel.
6.0210	1	2276914	BOLT-radiator support-upper. 3/8-24 x 4-1/2.
6.0260	1	2276916	BRACKET-radiator support-upper. At blkhd. Incl. bushing.
6.0260	1	2300037	BRACKET-radiator support-upper.
6.0285	2	2030464	BUSHING-radiator support-1/2 ID x 1-3/8 OD.
6.0285	1	2276915	BUSHING-radiator support-upper bracket. 7/16 ID x 1/2 in. long.
6.0287	1	2294092	CHANNEL-radiator support-Repl. 2371543.
6.0300	AR	2224715	CUSHION-radiator support-1 ft. long. SBF.
6.0307	1	2294495	HANGER-radiator-support, rear. 1-1/2 x 6-1/8 in. long.
6.0310	2	2025109	PLATE-radiator support-cushion.
6.0390	AR	2250030	SEAL-radiator-5/8 x 7/8 x 31" black gauge rubber-CTL.
6.0410	1	2294093	SPACER-radiator support-channel to bulkhead.
6.0450	1	2294542	SUPPORT-radiator-front.
6.0460	AR	2021278	WASHER-radiator support.

RADIATOR SHROUD AND BAFFLE

6.1160	1	2303788	PLATE-radiator baffle-top. Prior to chassis #3866.
6.1160	1	2360997	PLATE-radiator baffle-top. Effective w/chassis #3866.
6.1320	1	2293373	SHROUD-radiator-fan, front.
6.1320	1	2293374	SHROUD-radiator-fan, rear.

WATER FITTINGS HOSE AND SURGE TANK

6.1445	1	2295996	BUTTON-surge tank pressure relief valve.
6.1460	1	850745	CAP-radiator surge tank-incl. bail kit, latch, gasket & mtg. gasket. Repl. 850433.
6.1460	1	2295994	CAP-radiator surge tank-pressure relief valve.
6.1490	1	2229808	CLIP-air compressor water inlet & outlet tube.
6.1520	1	148344	COCK-radiator drain-surge tank. Type C, 1/4 pipe thd.
6.1525	1	798004	COCK-radiator thermostat housing-air relief.
6.1545	1	118748	CONNECTOR-radiator-tubing to heater return pipe 1/4 x 1/8 flared.
6.1545	1	137409	CONNECTOR-radiator-air compressor water by-pass tube 1/2 inv. flared.
6.1555	1	072541	COVER-surge tank flange.
6.1570	3	137425	ELBOW-air compressor water line-inlet & outlet tube 1/2 x 3/8 inverted flare-90 degree.
6.1600	1	2283300	ELBOW-radiator-inlet.
6.1600	1	2283299	ELBOW-radiator-outlet.
6.1600	1	5184457	ELBOW-radiator-outlet, water manifold.
6.1600	1	444476	ELBOW-radiator-surge tank valve 1/8-90.degree. Int. pipe thd. forged.
6.1600	1	2360717	ELBOW-radiator-water outlet. W/radiator stpd. 2351701.
6.1650	1	5163760	GASKET-engine oil cooler water inlet.
6.1660	1	5173772	GASKET-engine thermostat housing-cover.
6.1670	AR	5153902	GASKET-engine water by-pass tube-lower, and to valve housing.
6.1680	1	2231462	GASKET-engine water outlet-fitting to core.
6.1710	AR	5150361	GASKET-engine water outlet manifold-to engine.
6.1710	1	5174167	GASKET-engine water outlet manifold-elbow.
6.1717	1	5186744	GASKET-engine water by-pass valve to thermostat hsg.
6.1735	1	2301288	GASKET-radiator surge tank flange cover.
6.1740	1	850443	GASKET-radiator surge tank cap.
6.1740	2	2208174	GASKET-radiator surge tank cap-to filler neck flange & surge tank cap mtg. 2-3/4 x 2-3/4 rubber.
6.1743	1	850422	GASKET-radiator surge tank pressure valve.
6.1744	1	117971	GROMMET-radiator surge tank-tubing thru closure panel 1/4 x 1/16 gr. cut.

6.1744	1	2102895	GROMMET-radiator surge tank-over flow pipe.
6.1760	1	2353265	HOSE-radiator-surge tank to radiator inlet elbow. 2-3/8 ID x 6-1/4 in. lg. W/buna-lining.
6.1760	AR	R 35148	HOSE-radiator-surge tank overflow pipe. 2 ft. reqd. 9/16 ID.
6.1760	1	2350378	HOSE-radiator-surge tank outlet. 2-3/8 ID x 4-1/4 in. lg. W/buna-lining.
6.1760	AR	2350374	HOSE-radiator-surge tank to radiator elbow, outlet & inlet 2-3/8 ID x 6-1/4 in. long. Hump type. W/buna-lining.
6.1760	2	2350391	HOSE-radiator-engine to surge tank pipe 2-3/8 ID x 5 in. W/buna-lining.
6.1800	1	5189853	HOUSING-engine thermostat-incl. studs, outlet end.
6.1803	1	5189852	HOUSING-engine thermostat-water by-pass. Repl. 5185116.
6.1804	1	850512	KIT-surge tank cap bail.
6.1806	1	850746	LATCH-radiator surge tank cap-steel.
6.1818	AR	2224544	LOOM-water line & hose-surge tank tubing. 5/16 ID 25 ft. roll.
6.1818	AR	2224546	LOOM-water line & hose-air compressor outlet line 1/2 ID 25 ft. roll.
6.1818	AR	2224547	LOOM-water line & hose-surge tank over flow pipe 9/16 ID .25 ft. roll.
6.1820	1	2192071	MANIFOLD-engine water outlet.
6.1830	4	5172874	NOZZLE-engine cylinder head water-single jet.
6.1830	AR	5172875	NOZZLE-engine cylinder head water-double jet.
6.1835	AR	5150757	NUT-manifold to cylinder head stud-3/8-24.
6.1837	4	5024654	NUT-pressure valve to surge tank stud.
6.1855	1	2295995	PACKING-surge tank pressure relief valve.
6.1865	1	147863	PLUG-pipe-radiator outlet elbow drain hole. 3/8-18 sq. socket hd.
6.1865	1	143969	PLUG-pipe-water manifold outlet. 1-11 x 1/2 pipe.
6.1865	1	147863	PLUG-pipe-water manifold outlet. 3/8-18 sq. socket hd.
6.1865	1	143935	PLUG-pipe-elbow. 1/2-14 sq. socket hd.
6.1865	1	5173048	PLUG-pipe-oil wick. 1/4 pipe thd. x 2-3/4 over all lgth, 5/8 hex.
6.1865	1	143968	PLUG-pipe-water outlet manifold 3/4-14 ctsk.
6.1870	1	444789	PLUG-thermostat housing-1/2-14 sq. socket hd.
6.1870	1	5111798	PLUG-pipe, thermostat housing. 1 in. sq. socket type.
6.1885	1	850442	RETAINER-radiator surge tank filler cap. Repl. 850551.
6.1910	1	5156770	SEAL-water pump inlet.
6.1920	1	5150191	SEAL-water pump outlet-packing.
6.1925	1	850481	SEAT-radiator surge tank filler cap latch spring.
6.1929M	1	2360000	SHIELD-radiator surge tank filler neck.
6.1953	1	2295997	SPRING-surge tank pressure relief valve.
6.1958	1	2295993	STEM-surge tank pressure relief valve.
6.1960	AR	5150362	STUD-engine water outlet manifold-3/8-16-24 x 1-1/16 to cyl. head.
6.1960	4	5177911	STUD-engine water outlet manifold-5/16-18, 5/16-24 x 2-3/32" elbow to thermostat hsg.
6.1960	AR	062633	STUD-engine water outlet manifold-3/8-16-24 x 3-3/8.
6.1960	6	060141	STUD-engine water outlet manifold-ther. housing. 5/16-18, 5/16-24 x 1-5/16.
6.1960	3	062632	STUD-engine water outlet manifold-ther. housing. 3/8-16-3/8-24 x 2-1/8.
6.1967	1	5173022	SUPPORT-radiator clip-water by-pass tube.
6.1967	1	2193179	SUPPORT-radiator clip-air compressor tube. At water manifold brace.
6.1970	2	2299326	SUPPORT-surge tank-incl. bolt.
6.1980	1	2296585	TANK-surge, radiator-incl. valve, gasket & etc.
6.2020	1	5186383	THERMOSTAT-engine-168 degree.
6.2020	1	2269269	THERMOSTAT-engine-170 to 183 degree. Inside.rear end of thermostat housing.
6.2030	AR	2335012	TUBE-air compressor water-outlet. 1/2 OD, .049 thk. 25 ft. ctl. Used w/compressor stpd. 225289.
6.2030	AR	2335010	TUBE-air compressor water-outlet. Used w/compressor stpd. 226499. 1/2 OD. 1/2 OD. 25 ft. long CTL.
6.2030	1	2335010	TUBE-air compressor water-inlet. W/compressor stpd. 226499. 1/2 OD., .035 thk., 25 ft. long.
6.2030	1	2194895	TUBE-air compressor water-inlet. W/compressor stpd. 225289. 1/2 OD., .035 thk., 25 ft. long.
6.2060	1	5173671	TUBE-radiator-water by-pass, lower.
6.2060	1	5173914	TUBE-radiator-upper.
6.2060	AR	2224976	TUBE-radiator-surge tank vent. 1 ft. reqd. Repl. R 31092.
6.2060	AR	2224976	TUBE-radiator-discharge, pressure relief. Repl. R 31092.
6.2060	1	2293403	TUBE-radiator-engine to surge tank.
6.2060	1	2294487	TUBE-radiator-over flow, surge tank.
6.2065	1	850748	VALVE-pressure, radiator surge tank-valve only.
6.2065	1	2245830	VALVE-pressure, radiator surge tank-relief. Incl. stem, cap, packing, button and spring.

WATER PUMP

6.2080	1	5186575	PUMP-engine water-incl. impeller, body, slinger and etc. Repl. 5159059.
6.2090	1	5193606	KIT-repair, water pump-incl. sufficient parts for complete water pump repair.
6.2090	1	5193605	KIT-repair, water pump-seal replacement.
6.2100	1	5186493	BEARING-water pump-incl. shaft.
6.2110	1	5186573	BODY-water pump-incl. cover, stud & insert ring.
6.2120	3	5118219	BOLT-water pump-to blower. Repl. 5171159.
6.2130	1	118536	COCK-drain, water pump-body. 3/8.
6.2140	1	5179605	COUPLING-water pump-incl. inter-shaft, blower slinger, coupling & set screw. 5/16-24 x 1-1/2. Steel.
6.2140	1	2363040	COUPLING-water pump-nylon.
6.2140	1	5114011	COUPLING-water pump-drive. Repl. 5153682.
6.2150	1	5173719	COVER-water pump-body.
6.2170	1	5173730	FLANGE-water pump pulley-outlet packing.
6.2180	1	5150188	GASKET-water pump-cover.
6.2180	1	5150193	GASKET-water pump-to blower.
6.2220	1	5186569	IMPELLER-water pump. Repl. 5172819.
6.2250	1	142507	PIN-water pump shaft-3/16 x 7/8 groove.
6.2295	1	5186572	RING-water pump body insert.
6.2330	1	5186571	SEAL-water pump-incl. spring.
6.2350	1	5189041	SLINGER-oil, water pump brg.
6.2390	4	5150182	STUD-water pump cover.

FAN AND DRIVE

6.2440	1	2270293	BLADE-fan.
6.2495	1	2137192	BOLT-crankshaft hub- 1-14 x 3-1/4.
6.2630	1	2137142	HUB-fan-crankshaft.
6.2540	1	117982	KEY-fan pulley-hub. To crankshaft. 3/8 x 1-1/4.
6.2605	1	2091103	PLATE-crankshaft fan hub bolt-lock.
6.2625	1	2091104	RETAINER-crankshaft fan lock plate.
6.2737	1	2091101	WASHER-crankshaft fan hub bolt-2-5/16 OD-1-1/32 ID.

RADIATOR SHUTTER

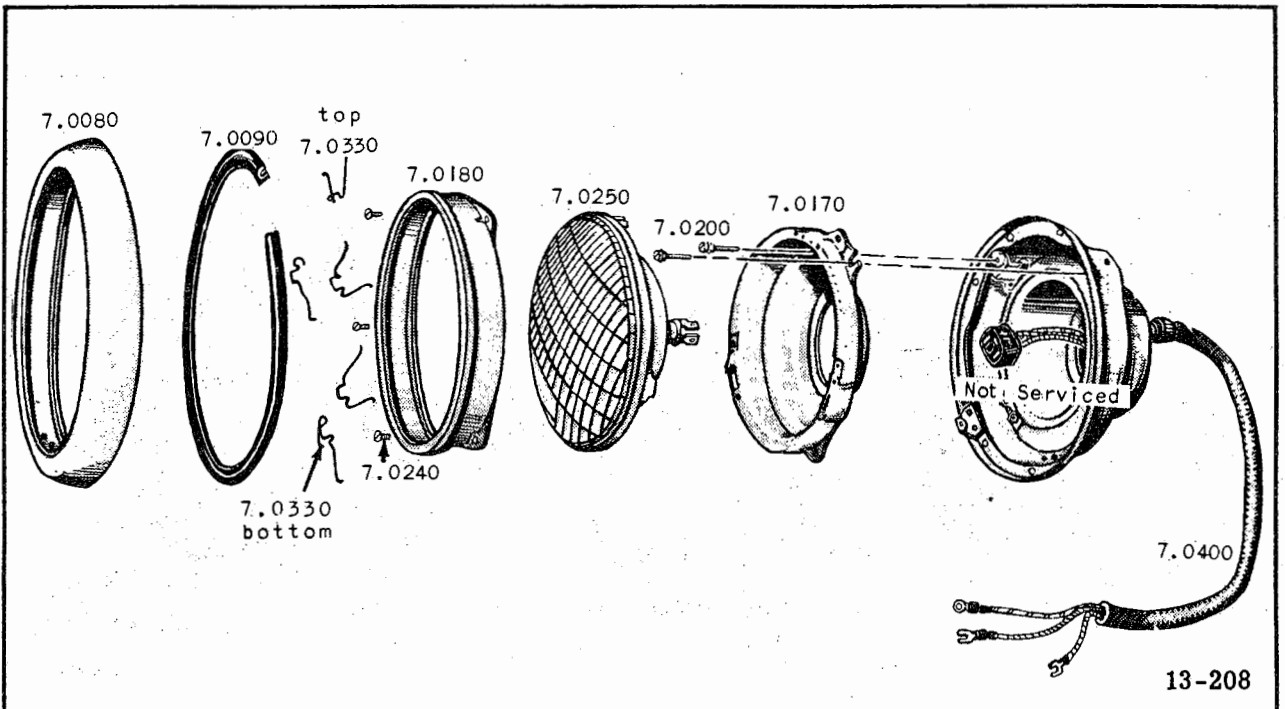
6.2750	1	2288000	SHUTTER-radiator.
6.2755	1	2224060	ARM-rocker, radiator shutter air cylinder-incl. plug & pin with head.
6.2763	1	2368703	BARREL-radiator shutter air cylinder-part of cylinder stpd. C-9675.
6.2767	1	2408845	BLOCK-bearing, radiator shutter air cylinder-used retaining ring, repl. 2044505, 2379388.
6.2767	1	2368713	BLOCK-bearing, radiator shutter air cylinder-part of cyl. stpd. C-9675.
6.2770	1	2028986	BODY-radiator shutter air cylinder-cast alum.
6.2784	1	2261476	BRACKET-radiator shutter air cylinder-mtg. 5-1/4 in. long.
6.2784	1	2368710	BRACKET-radiator shutter air cyl.-mtg. piston rod end. Part of cyl. stpd. C-9675.
6.2815	1	2021353	CAP-radiator shutter air cylinder-dust.
6.2845	1	114981	COCK-radiator shutter air filter-drain. 1/8 x 7/8.
6.2845	1	2315442	COCK-radiator shutter air filter-stop. Repl. 2214966.
6.2855	AR	118748	CONNECTOR-radiator shutter thermostat to control line-1/4 OD x 1/4 in. long.
6.2860	1	2023342	CONNECTOR-radiator air line-to air cylinder Incl. sleeve & nut.
6.2860	1	2021888	CONNECTOR-radiator air line-air filter line to tee.
6.2878	1	2373078	CUP-radiator shutter air cylinder piston-part of cyl. w/cast alum. body.
6.2878	1	2368709	CUP-radiator shutter air cyl. piston-part of cyl. stpd. C-9675.
6.2896	1	2260882	CYLINDER-air radiator shutter-incl. piston, heads, pins, cups, etc. Stpd. C-9675. Repl. 2043283 w/cast alum. body.
6.2898	1	2214962	DISC-radiator shutter air filter.
6.2906	1	699028	ELBOW-rad. shutter therm. to air control line-air filter to governor line.
6.2906	1	120401	ELBOW-rad. shutter therm. to air control line-1/8 x 90 degree street.
6.2910	1	2021361	END-radiator shutter air cylinder piston.
6.2914	1	2224529	FILTER-radiator shutter air.
6.2929	1	2023984	GASKET-radiator shutter air cylinder head-part of cyl. W/cast alum. body.
6.2929	1	2368705	GASKET-radiator shutter air cylinder head-part of cyl. stpd. C-9675.
6.2930	1	2196028	GASKET-radiator shutter air filter-2 holes.
6.2930	1	2285669	GASKET-radiator shutter air filter-13/32 x 5/8 x 5/64.
6.2946	1	2028987	HEAD-radiator shutter air cylinder-part of cyl. W/cast. alum. body.
6.2946	1	2368704	HEAD-radiator shutter air cylinder-front. Part of cyl. stpd. C-9675.

6.2946	1	2368702	HEAD-radiator shutter air cylinder-rear. W/brkt. part of cyl. stpd. C-9675.
6.2950	1	2098524	HEAD-radiator shutter air cylinder piston-small dia. part of cyl. W/cast. alum. body.
6.2950	1	2356744	HEAD-radiator shutter air cylinder piston-large dia. W/piston rod.
6.2953	2	2265060	HOSE-radiator shutter air line-to thermostat.
6.2961	1	2214957	HOUSING-radiator shutter air filter-top. Incl. insert.
6.2961	1	2214956	HOUSING-radiator shutter air filter-bottom.
6.2963	1	2400300	KIT-repair, radiator shutter air cylinder-consists of 1 piston cap, 1 brg. block, washers, piston return spring, dust cap, dust cap retainer, retaining ring.
6.2963	1	9026270	KIT-repair, radiator shutter air filter-consists of 1 oil wick, 2 felt-pads, 1 filter gasket and 1 filter screen.
6.2966	AR	2224976	LINE-radiator shutter air-1/4 OD.
6.2967	AR	2224541	LOOM-radiator shutter-clip. 1/4 ID. 25 ft. roll.
6.2978	AR	692326	NUT-radiator shutter air line.
6.2996	2	2214961	PAD-radiator shutter air filter-1-7/8 in. dia. x 1/2 in. thick. Felt.
6.3002	1	2270295	PIN-radiator shutter air cylinder rocker arm brg.-3/8 in. dia. incl. head.
6.3002	1	2270296	PIN-radiator shutter air cylinder rocker arm brg.-5/16 in. dia. incl. head.
6.3008	1	2028995	PIN-radiator shutter block bearing-used w/block #2044505.
6.3034	2	2044506	PLUG-radiator shutter air cylinder bearing pin-expansion.
6.3034	1	118831	PLUG-radiator shutter air cylinder bearing pin-1/8 brass.
6.3036	1	2214963	PLUG-radiator shutter air filter.
6.3038	1	2022537	RETAINER-radiator shutter air cyl.-dust cap. Part of cyl. W/cast. alum. body.
6.3038	1	2368712	RETAINER-radiator shutter air cyl.-dust cap. Part of cyl. Stpd. C-9675.
6.3050	1	2028992	RING-retaining, rad. shutter air cyl. brg. Lubricating felt.
6.3050L	1	2334948	RING-retaining, radiator shutter air cyl. Brg. block-for use w/2379388 & 2408845 block.
6.3051P	1	2368706	RING-seal, air cylinder end head-part of cyl. stpd. C-9675.
6.3060	2	2368707	SCREW-radiator shutter air cylinder-at rear head. #10-32 x 4 in. part of cyl. stpd. C-9675.
6.3060	2	2368708	SCREW-radiator shutter air cylinder-at rear head. #10-32 x 3-7/8 in. part of cyl. stpd. C-9675.
6.3064	2	2285597	SEAL-radiator shutter-side.
6.3064	1	2224726	SEAL-radiator shutter-top & bottom. Felt. 5 ft. long.
6.3064	1	2294520	SEAL-radiator shutter-rear.
6.3065	1	2214960	SCREEN-radiator shutter air filter.
6.3078	1	114628	SLEEVE-radiator shutter air line to hose.
6.3106	1	2021359	SPRING-radiator shutter air cylinder-piston return.
6.3185	1	2016246	TEE-radiator shutter air line to governor-incl. sleeve & nut. Used w/3/8 in. line, approx. 1-3/4 in. long.
6.3185	1	2016881	TEE-radiator shutter air line to governor-1/4 int. pipe thrd. on 2 ends, 1/4 in. ext. pipe thd. on other end. approx. 1-3/4 in. long.
6.3190	1	2263172	THERMOSTAT-radiator shutter-180 degree F.
6.3202	1	2368711	WASHER-radiator shutter air cyl.-seal, rod end mtg. bracket bolt. Part of cyl. stpd. C-9675.
6.3204	1	2028991	WASHER-radiator shutter air cylinder brg. lubrication-felt. 1-3/16 ID. x 1-3/4 OD.
6.3208	1	2022536	WASHER-radiator shutter air cylinder dust cap-21/64 ID. x 3/4 OD.
6.3208	1	2022535	WASHER-radiator shutter air cylinder dust cap-5/16 ID. x 3/4 OD.
6.3212	1	2098527	WASHER-radiator shutter air cylinder piston cap-use w/2098524 head.
6.3216	1	2028990	WASHER-radiator shutter air cylinder piston lubricator-felt.
6.3230	2	2214022	WASHER-radiator shutter air filter to bracket bolt.
6.3236	1	2214955	WICK-radiator shutter air filter-felt.

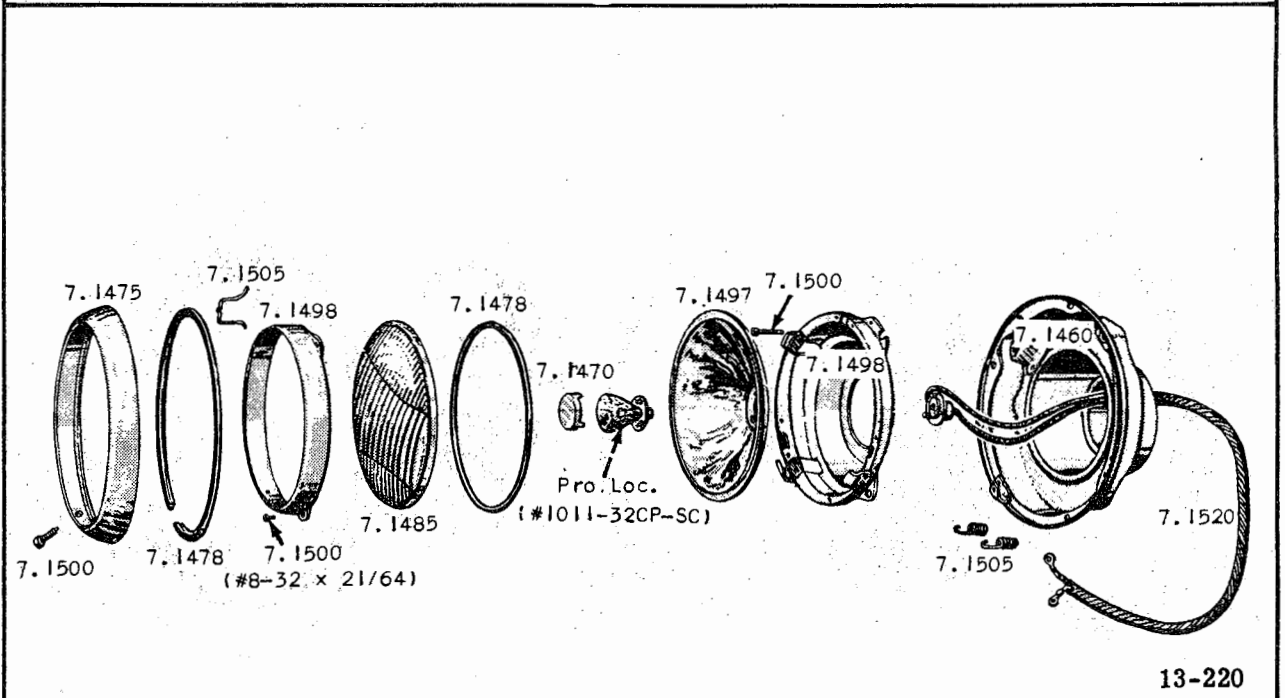
IMPORTANT: Refer to your Final Vehicle Record for Assemblies and Special Equipment (SL's) used on each vehicle.

It is important to always specify serial number of vehicle when ordering or writing about parts. or writing about parts.

ELECTRICAL

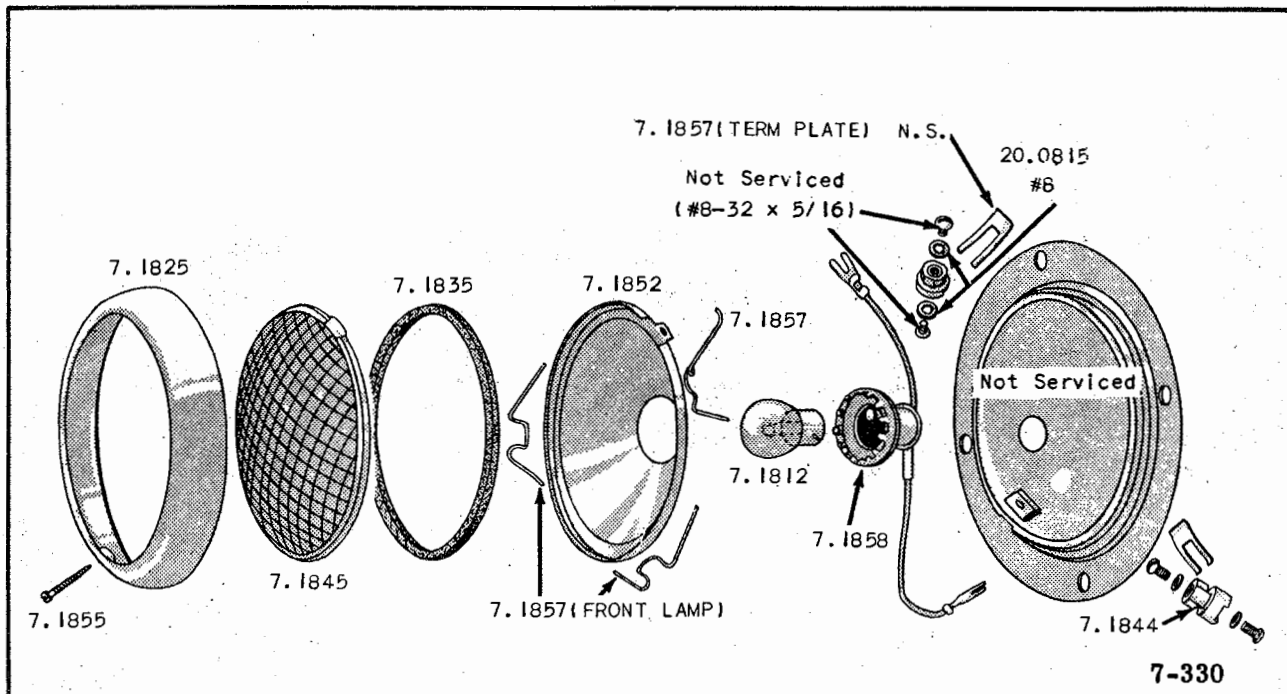


HEADLAMP

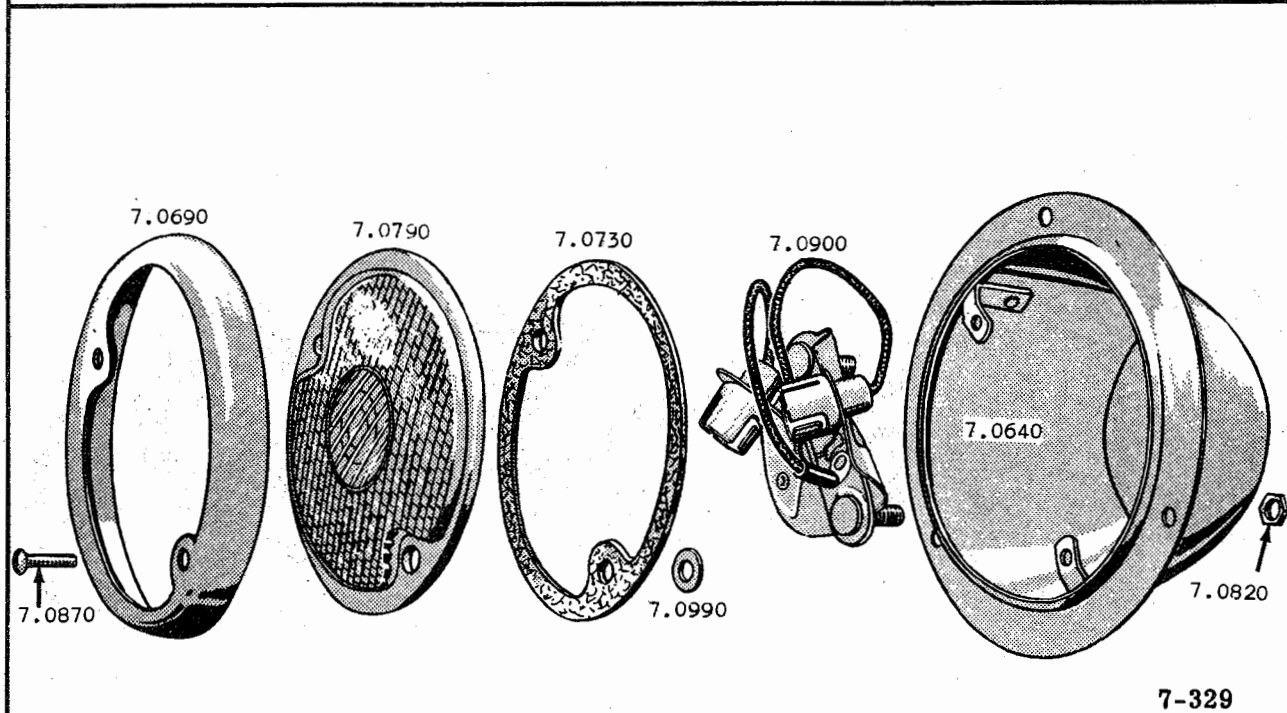


FOG LAMP

ELECTRICAL



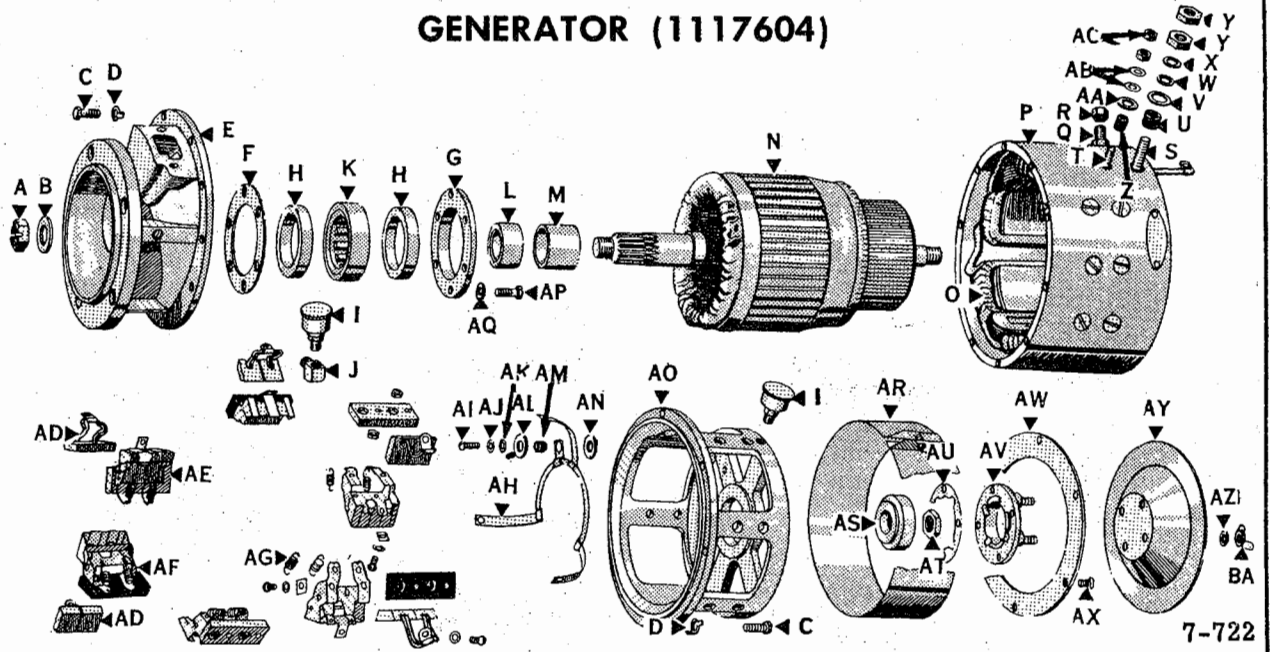
STOP AND DIRECTIONAL LAMP



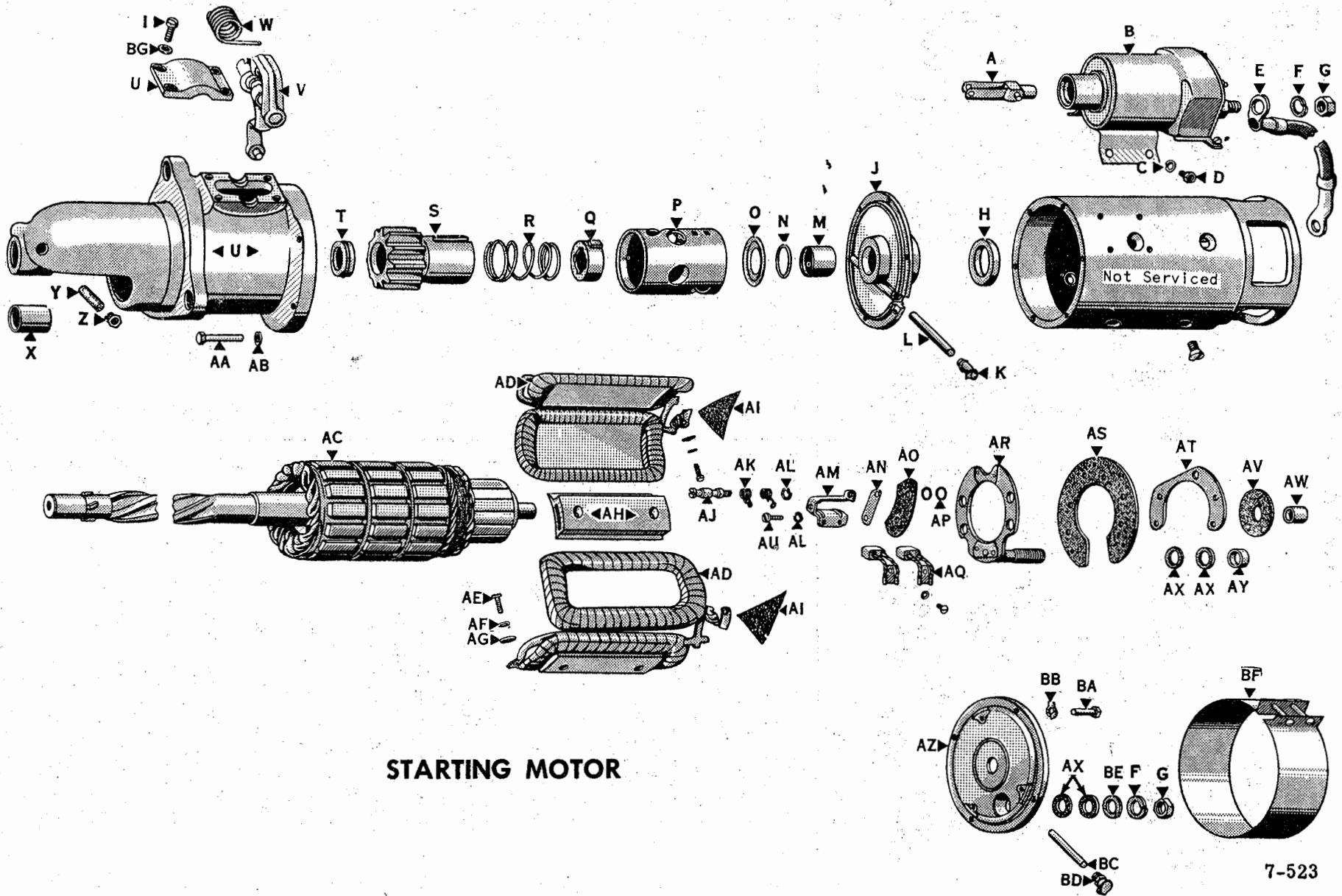
STOP & TAIL LAMP

ELECTRICAL

GENERATOR (1117604)



Key	Description	Group No.	Key	Description	Group No.
A	NUT (DE)	7.3430	Y	NUT (3/8-24)	7.3437
B	WASHER (DE) (3/4 ID x 1.435 OW)	7.3720	Z	BUSHING - Field Coil Stud	7.3190
C	BOLT (1/4-28 x 3/4 hex. hd.)	20.0050	AA	WASHER - Field Coil Stud (25/64 ID x 3/4 in. OD)	7.3720
D	WASHER - Lock, Attaching Screw (W/2 lips)	7.3720	AB	WASHER (3/8 Medium, Lock)	20.0820
E	FRAME (DE)	7.3290	AC	NUT (1/4-28 hex. Procure Locally)	N.S.
F	GASKET (DE)	7.3310	AD	BRUSH	7.3150
G	PLATE (DE)	7.3460	AE	HOLDER - Ground	7.3350
H	SEAL (DE)	7.3600	AF	HOLDER - Insulated	7.3350
I	CUP	7.3273	AG	SPRING	7.3650
J	ELBOW - Cup (DE) (1/8-45° Street)	20.0310	AH	BUS BAR	7.3193
K	BEARING (DE)	7.3090	AI	SCREW (#10-32 x 5/8 rd. sl. hd.)	N.S.
L	BEARING (Inner Race) (Stpd. A-1306) (.7455 in. long)	7.3090	AJ	WASHER (.194 ID x 13/32 OD Lock)	7.3720
M	BEARING (Inner Race) (Stpd. A-5306) (1.1875 in. long)	7.3090	AK	WASHER (3/16 ID x 7/16 OD Flat)	20.0795
N	ARMATURE (Incl. L-M)	7.3060	AL	WASHER (.323 ID x 3/4 OD Insulating)	7.3720
O	COIL	7.3240	AM	BUSHING	7.3170
P	HOUSING	N.S.	AN	WASHER (.323 ID x 7/8 OD Insulating)	7.3720
Q	STUD - Ground (3/8-24 x 1-1/4 in.)	7.3680	AO	FRAME - CE	7.3290
R	NUT - Ground Stud (3/8-24 Steel)	20.0460	AP	BOLT (1/4-28 x 3/4 hex. hd.)	20.0050
S	STUD - Field Terminal (1909902) 1/4-28 x 1-5/16)		AQ	WASHER (1/4 Lock)	20.0820
T	STUD - Armature Terminal (3/8-24 x 1-11/16 in.)	7.3680	AR	BAND	7.3080
U	BUSHING - Armature Stud	7.3190	AS	BEARING - CE (Stpd. #87604-XIC)	7.3090
V	WASHER - Armature Stud (3-3/64 ID x 7/8 OD)	7.3720	AT	NUT - CE	7.3430
W	WASHER - Armature Stud (3/8 ID x 11/16 OD Plain)	7.3720	AU	GASKET - CE	7.3310
X	WASHER (3/8 Medium Lock)	20.0820	AV	PLATE - Outer	7.3460
			AW	PLATE - Baffle	7.3455
			AX	SCREW (#10-32 x 7/16 El. hd.)	N.S.
			AY	COVER	7.3267
			AZ	WASHER (1/4 Lock)	20.0820
			BA	NUT - Wing (1/4-20)	20.0540

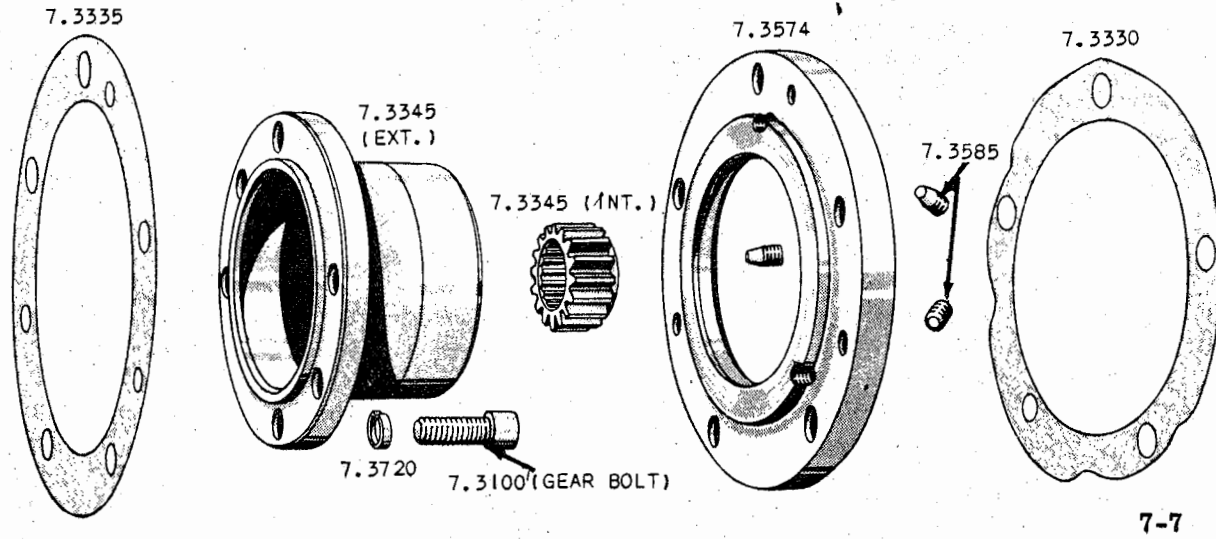


STARTING MOTOR

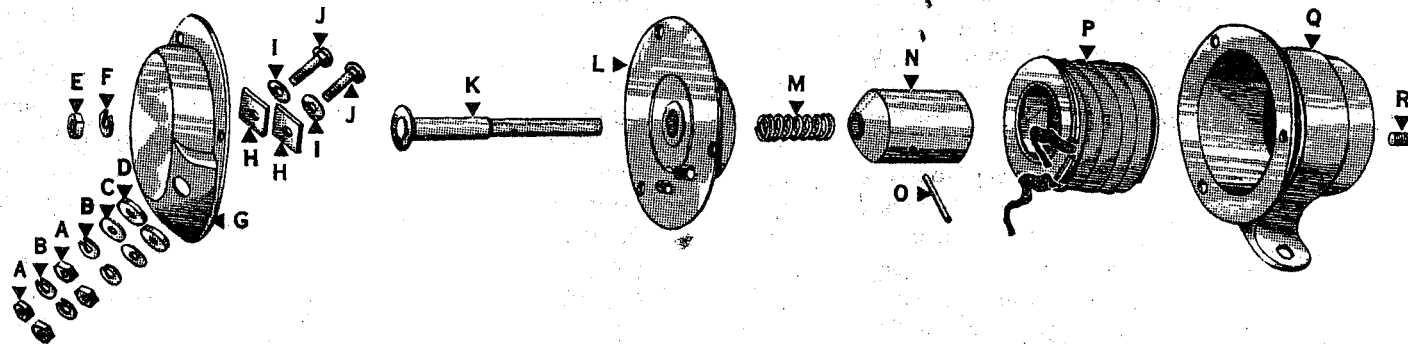
7-523

KEY TO STARTING MOTOR

Key	Description	Group No.	Key	Description	Group No.
A	Link	7.2400	AD	Coil	7.2210
B	Solenoid - starting motor	7.5960	AE	Screw - solenoid to mtr. (#10-32 x 1/2")	N. S.
C	Washer - lock (Part of D)	7.6141	AF	Washer (#10 lock)	N. S.
D	Screw - mtg., solenoid (Incl. lock washer)	7.6141	AG	Washer (Plain, .194" I. D. x 1/2" O. D.)	7.2765
E	Cable	7.2180	AH	Shoe	7.2650
F	Washer (1/2 I. D. Med.)	20.0820	AI	Strip	7.2700
G	Nut (1/2"-13)	20.0460	AJ	Screw - brush holder	7.2590
H	Collar	7.2220	AK	Spring - brush holder	7.2670
I	Screw (1/4-20 x 5/8 fil. sl. hd.)	N. S.	AL	Washer - (#10 lock)	20.0820
J	Plate - center bearing	7.2540	AM	Holder	7.2320
K	Oiler (Part of center brg. plate)	7.2430	AN	Plate - space (Brass)	7.2500
L	Wick (Part of center brg. plate)	7.2830	AO	Plate - insulating	7.2500
M	Bushing - center bearing	7.2130	AP	Washer - (.207" I. D. x .368" O. D.)	7.2770
N	Washer (1-1/64" I. D. x 1-1/4" O. D.)	7.2820	AQ	Brush	7.2110
O	Washer (1" I. D. x 1-3/4" O. D. cupped)	7.2820	AR	Plate	7.2520
P	Sleeve	7.2660	AS	Plate	7.2510
Q	Guide	7.2310	AT	Plate - support	7.2530
R	Spring	7.2680	AU	Screw (3/16" -32 x 21/32" rd. hd.)	7.2590
S	Pinion	7.2490	AV	Washer (5/8" I. D. x 1-3/4" O. D. fibre)	7.2800
T	Collar	7.2240	AW	Bushing (Part of C. E. frame)	7.2140
U	Housing	7.2330	AX	Washer (3/8" I. D. x 7/8" O. D. ins.)	7.2790
V	Lever	7.2390	AY	Washer (33/64" I. D. x .692" O. D.)	7.2790
W	Spring	7.2690	AZ	Frame	7.2290
X	Bushing	7.2150	BA	Screw (1/4"-28 x 1" hex. hd.)	7.2615
Y	Wick (Part of drive hsg.)	7.2830	BB	Washer (17/64" I. D. x 31/64" O. D.)	7.2765
Z	Oiler (Part of drive hsg.)	7.2430	BC	Wick (Part of C. E. frame)	7.2830
AA	Screw (1/4"-28 x 1-3/8")	7.2615	BD	Oiler (Part of C. E. frame)	7.2430
AB	Washer (17/64" I. D. x 31/64" lock)	7.2765	BE	Washer (.317" I. D. x .625" I. D.)	7.2790
AC	Armature	7.2020	BF	Band	7.2030
			BG	Gasket (.263 I. D. x 3/8 O. D., copper)	N. S.



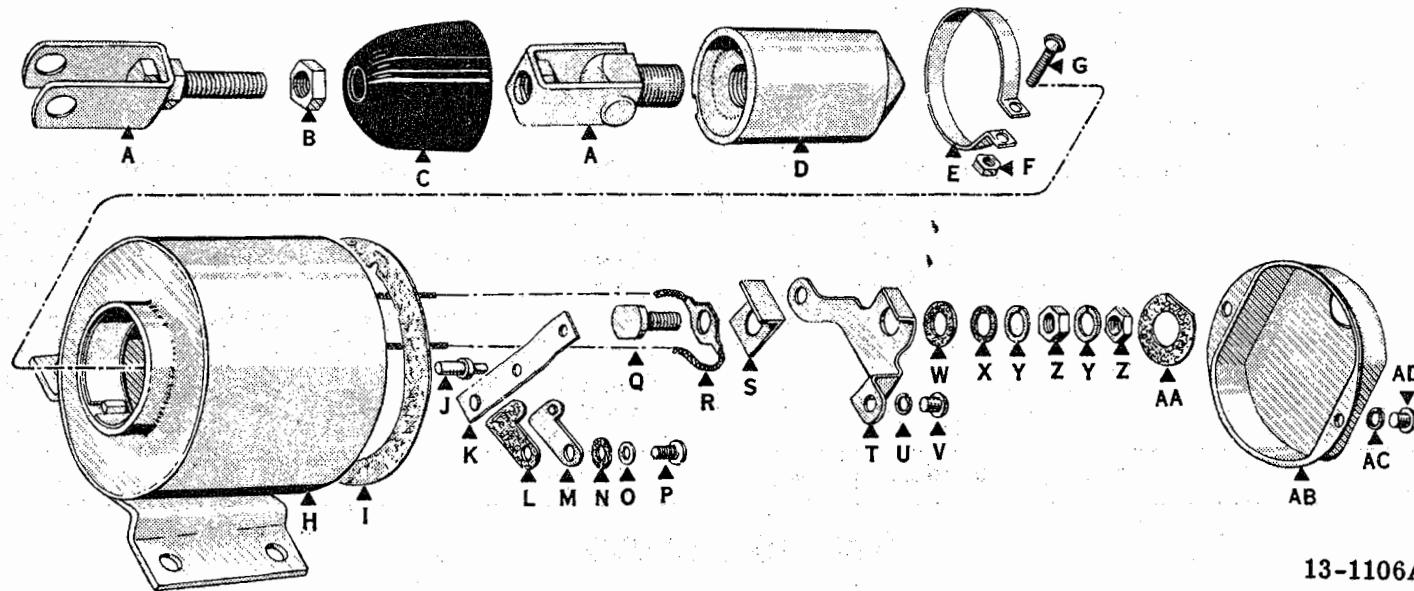
GENERATOR DRIVE



13-1101

SOLENOID (001424)

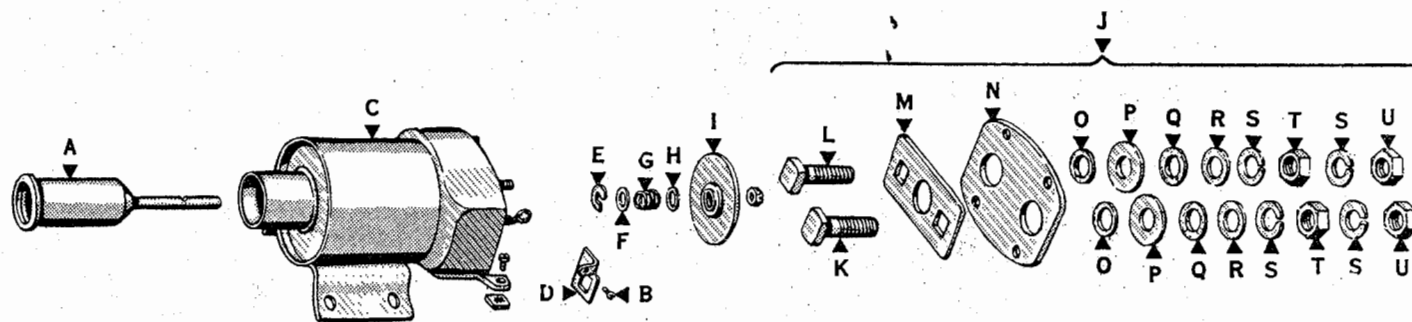
Key	Description	Group No.	Key	Description	Group No.
A	Nut (No. 8-32)	20.0440	J	Stud	7.6190
B	Washer (No. 8)	20.0820	K	Rod	7.6140
C	Washer—plain (.169 I.D. x 7/16 O.D.)	7.6220	L	Base	7.5963
D	Washer—insulating (.300 I.D. x 15/32 O.D.)	7.6230	M	Spring	7.6170
E	Nut (No. 10-32)	20.0440	N	Plunger	7.6130
F	Washer—lock (.194 I.D. x 13/32 O.D.)	7.6220	O	Pin	7.6110
G	Cover	7.6060	P	Coil	7.6030
H	Washer—insulating (9/16 I.D. x 3/4 O.D.)	7.6230	Q	Case	7.5990
I	Washer—plain (.255 I.D. x 27/64)	7.6220	R	Screw (No. 10-32 x 7/16)	N.S.



13-1106A

SOLENOID (001535)

Key	Description	Group No.	Key	Description	Group No.
A	Screw	7.6141	P	Screw (No. 8-32 x 1/2)	20.0080
B	Nut (5/16-18)	20.0470	Q	Stud—terminal	7.6190
C	Boot	7.5970	R	Clip	7.6025
D	Plunger	7.6130	S	Insulation	7.6090
E	Clamp	7.6000	T	Bracket	7.5980
F	Nut (No. 8-32)	20.0440	U	Washer (No. 8)	20.0820
G	Bolt (No. 8-32 x 1/2)	20.0080	V	Screw (No. 8-32 x 3/8 pan hd.)	N.S.
H	Coil	7.6030	W	Washer—insulating (17/64 I.D. x .368 O.D.)	7.6230
I	Gasket—cover to coil	7.6084	X	Washer—insulating (.255 I.D. x 5/8 O.D.)	7.6230
J	Rod	7.6140	Y	Washer—lock (17/64 I.D. x 33/64 O.D.)	7.6220
K	Spring	7.6170	Z	Nut (1/4-20)	20.0440
L	Insulation	7.6086	AA	Gasket—cover to terminal	7.6084
M	Plate	7.6125	AB	Cover	7.6060
N	Washer (.170 I.D. x 9/16 O.D.)	7.6230	AC	Washer (No. 8)	20.0820
O	Washer—insulating	7.6220	AD	Bolt (No. 8-32 x 3/8 pan hd.)	N.S.



13-1107

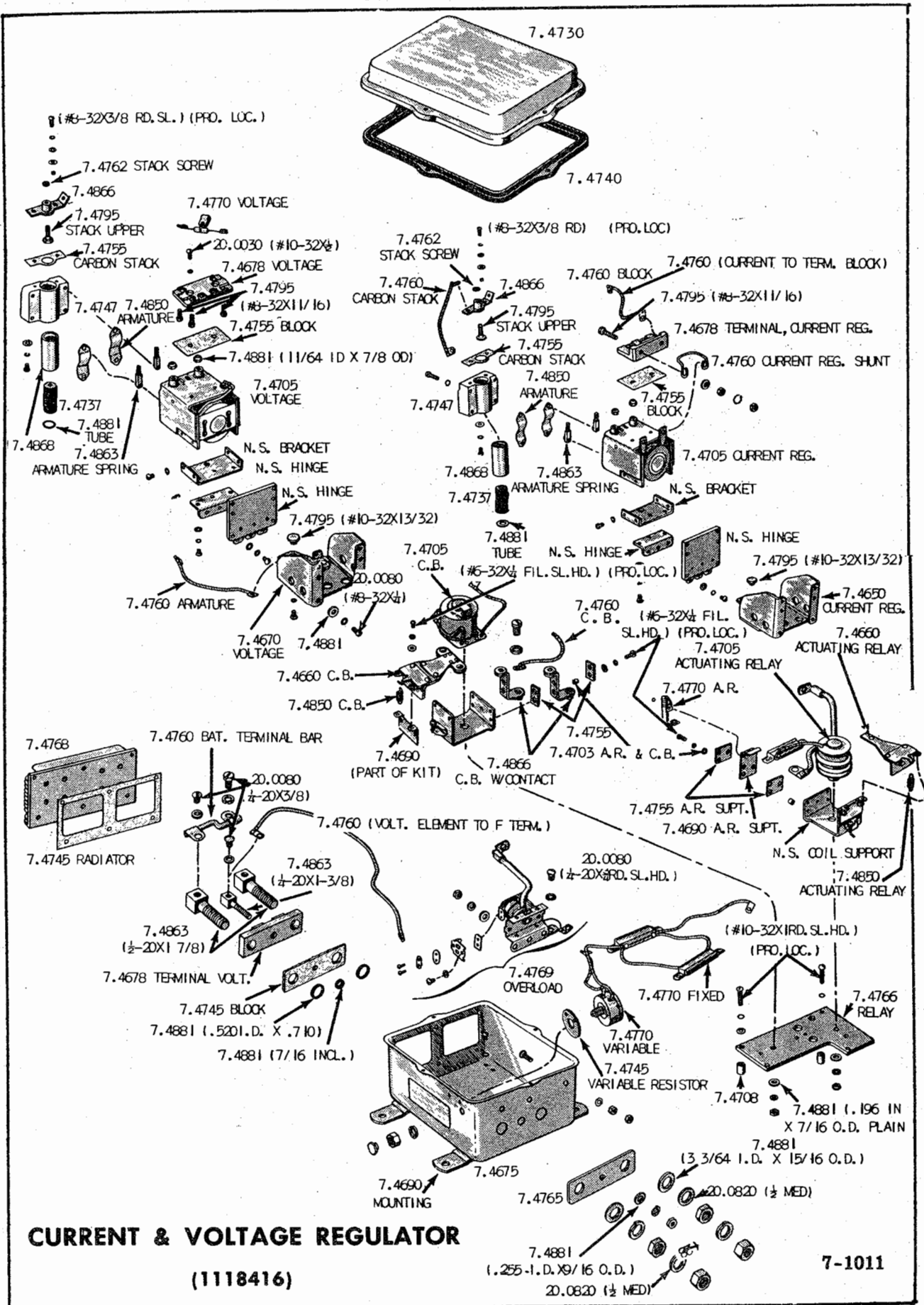
SOLENOID (1118171-1119805)

Key	Description	Group No.
A	Plunger	7.6130
B	Screw	7.6150
C	Case	7.5990
D	Support	7.6200
E	Washer—retainer, contact disc. (.190 I.D. x 31/64 Cupped)	7.6220
F	Washer—retainer, contact disc. (17/64 I.D. x 31/64 Cupped)	7.6220
G	Spring	7.6170
H	Washer—retainer, contact disc. (.252 I.D. x 33/64 plain)	7.6220
I	Disc	7.6070
J	Plate (complete)	7.6120

Key	Description	Group No.
K	Stud (7/32 thk)	7.6190
L	Stud (9/32 thk)	7.6190
M	Insulator	7.6090
N	Plate (only)	7.6120
O	Washer—terminal stud (17/32 I.D. x .811 O.D.)	7.6230
P	Washer—terminal stud (33/64 I.D. x 1-3/16 O.D.)	7.6230
Q	Washer—terminal stud. (33/64 I.D. x 15/16 O.D.)	7.6230
R	Washer—terminal stud (33/64 I.D. x 7/8 O.D.)	7.6220
S	Washer—terminal stud (1/2 MED)	20.0620
T	Nut (1/2-13)	20.0470
U	Nut (1/2-13)	20.0460

ELECTRICAL

ELECTRICAL

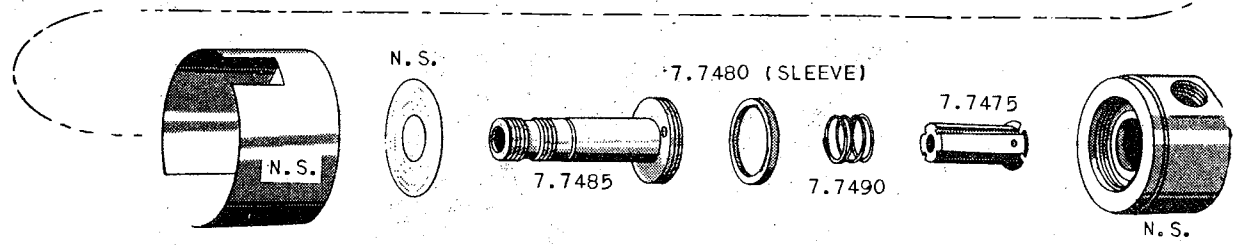
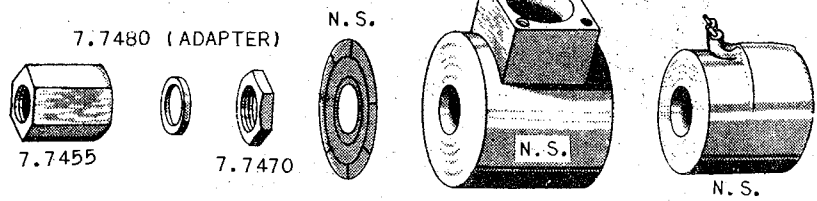


CURRENT & VOLTAGE REGULATOR
(1118416)

7-1011

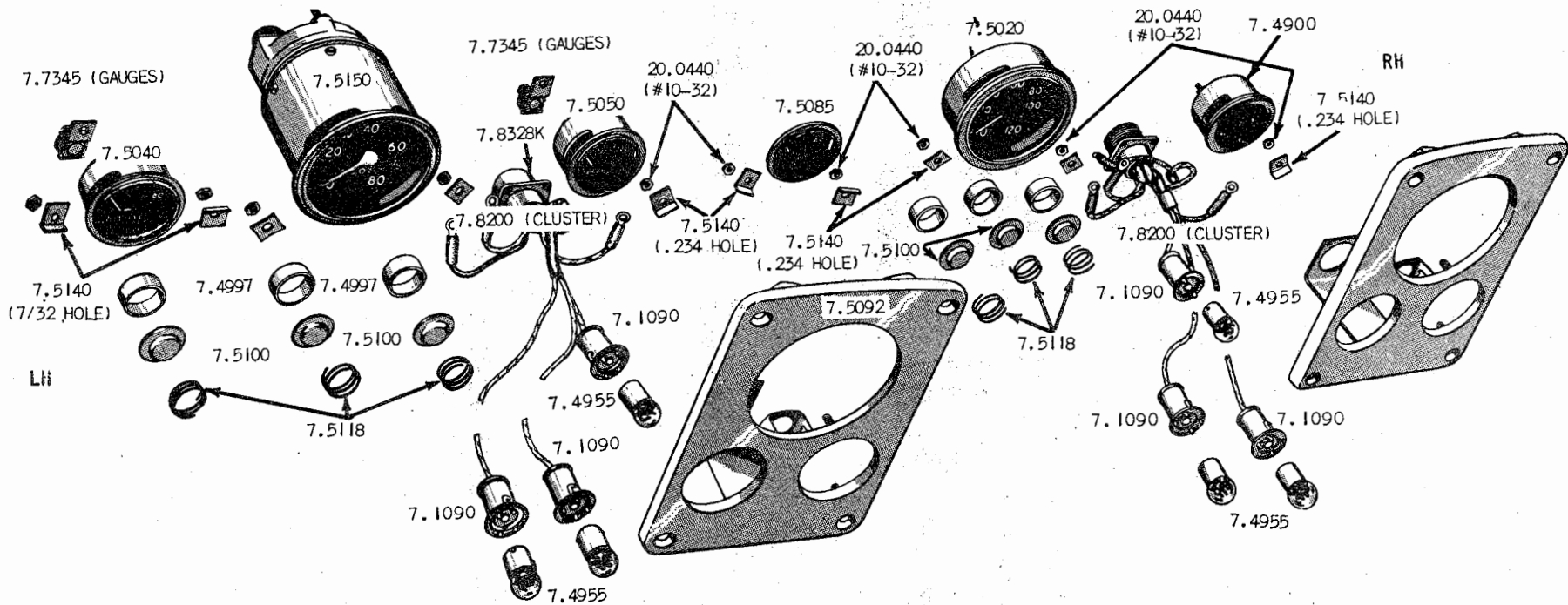
ELECTRICAL

N. S. #4-40-3/16 FIL HD



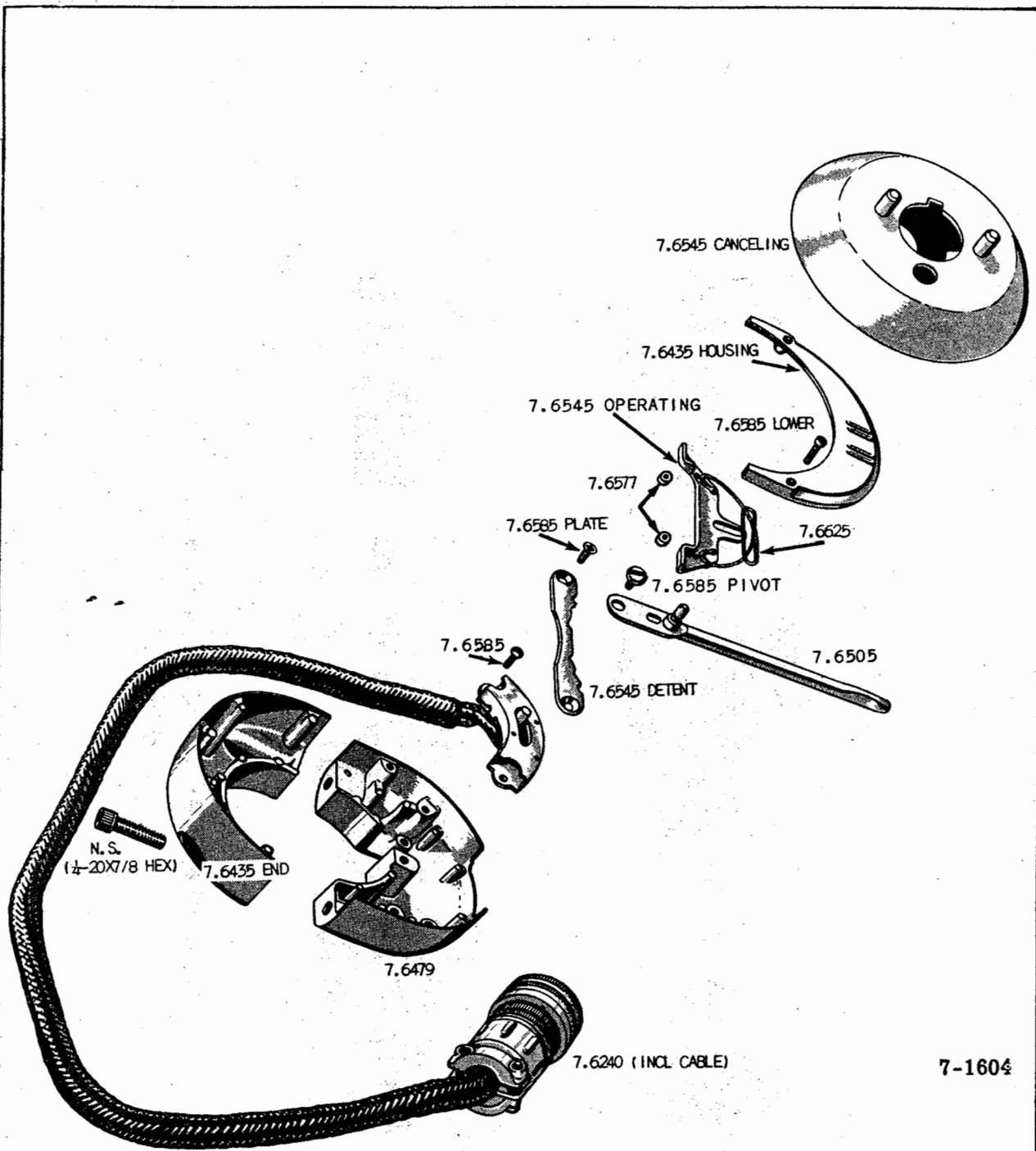
7. 1114

SOLENOID VALVE



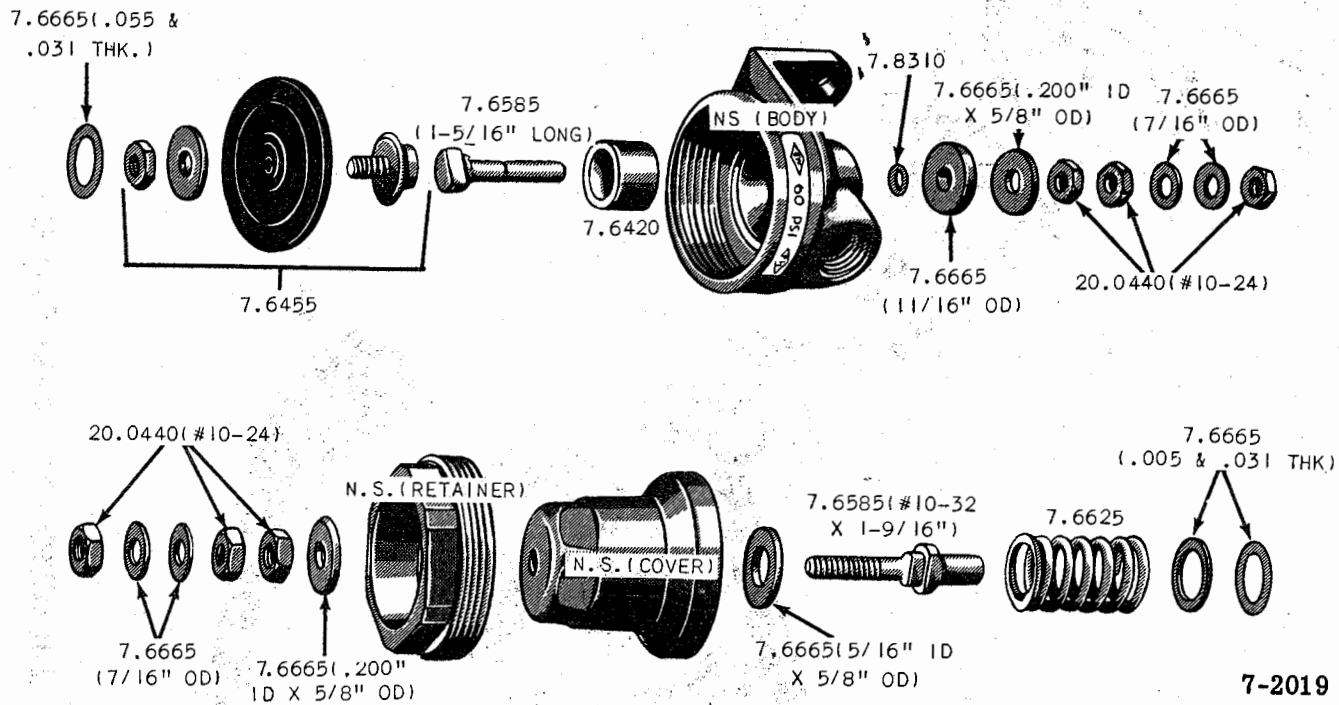
INSTRUMENT CLUSTER

ELECTRICAL



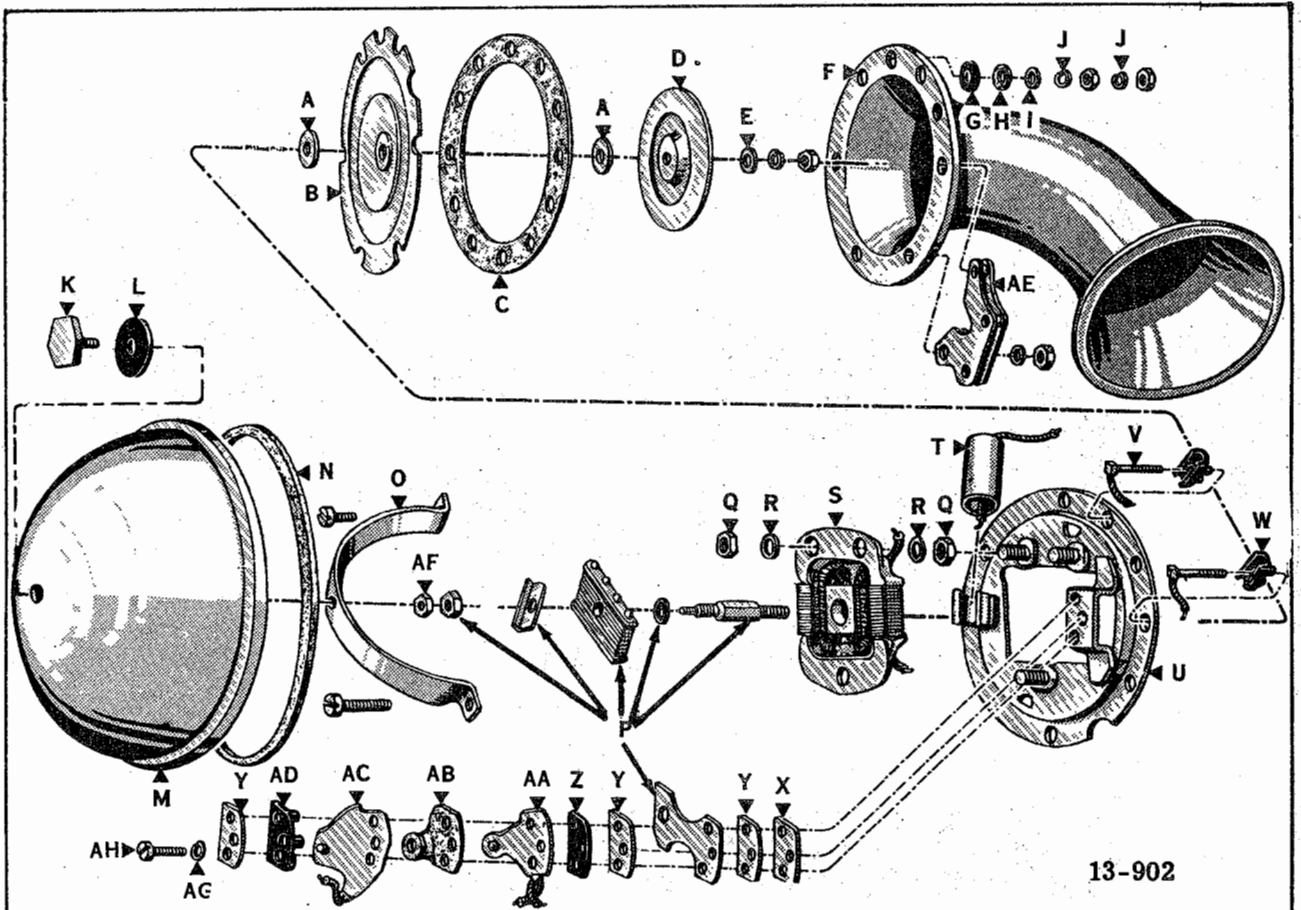
7-1604

DIRECTIONAL LAMP SWITCH



**LOW PRESSURE INDICATOR SWITCH
(2262488)**

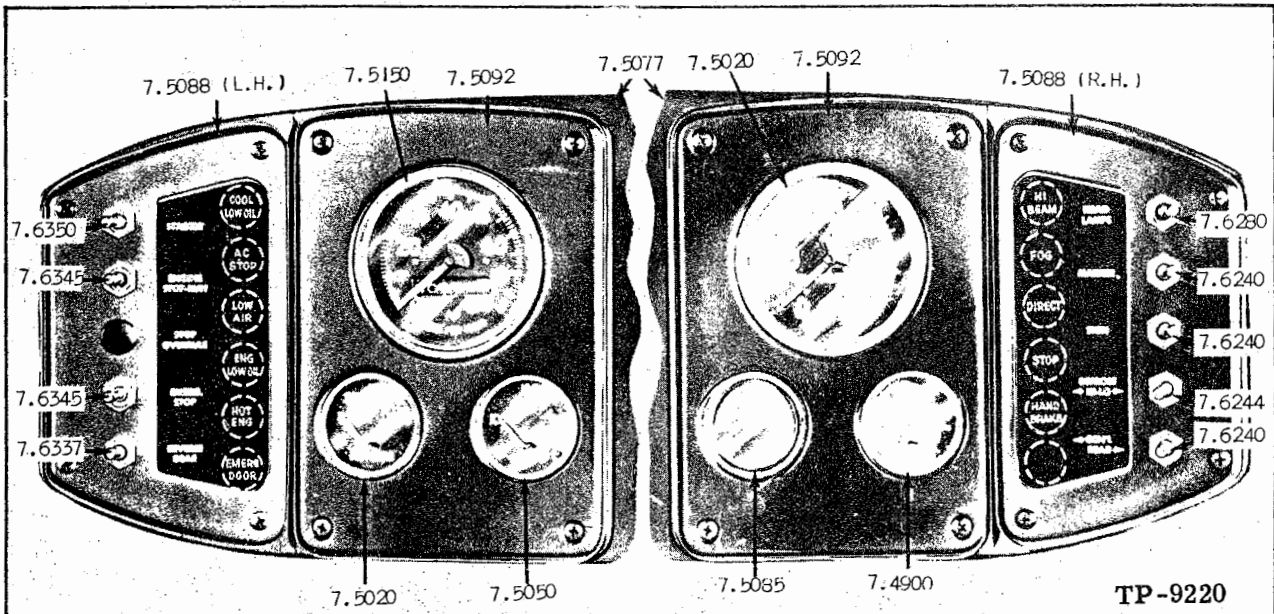
ELECTRICAL



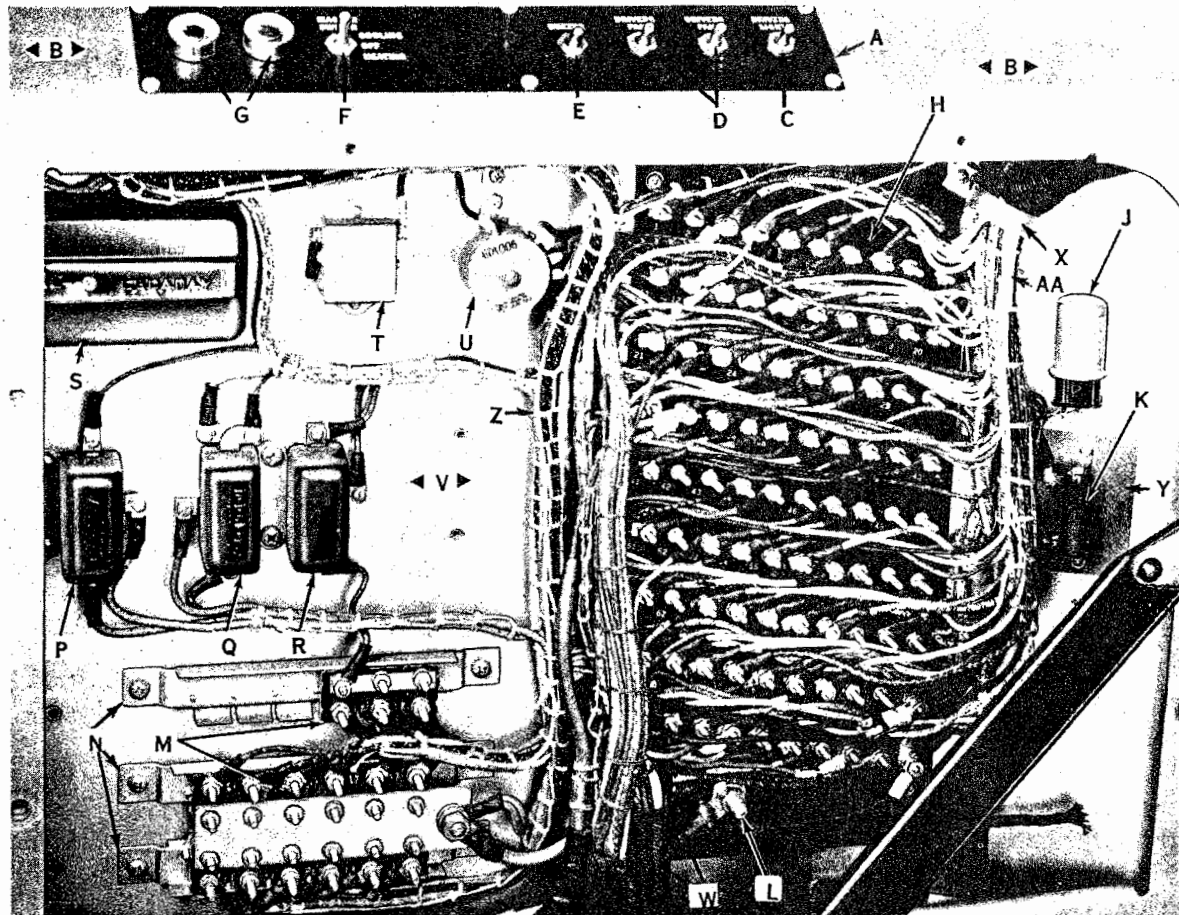
HORN (1999700)

Key	Description	Group No.	Key	Description	Group No.
A	Washer (1/4 I.D. x 13/16 O.D.)	7.7210	T	Condenser	7.6890
B	Diaphragm	7.6950	U	Base	7.6810
C	Gasket	7.6990	V	Lead	7.7005
D	Disc	N.S.	W	Bushing	7.6845
E	Washer (.255 I.D. x 5/8 O.D.)	7.7210	X	Spacer (under armature spring)	7.7140
F	Projector	7.7060	Y	Spacer (above armature spring & contact bracket)	7.7140
G	Washer (3/8 O.D.)	7.7223	Z	Insulator (under contact & spring)	7.7003
H	Washer (1/2 O.D.)	7.7223	AA	Contact	7.6920
I	Washer (7/16 O.D.)	7.7223	AB	Insulator (above contact spring)	7.7003
J	Washer	20.	AC	Bracket—horn base	7.6820
K	Screw	7.7110	AD	Insulator (above contact bracket)	7.7003
L	Washer	7.7205	AE	Bracket—Mtg., lamination	7.6820
M	Shell	7.7130	AF	Nut	7.7020
N	Gasket	7.6985	AG	Washer (.194 I.D. x 13/32 O.D.)	7.7209
O	Bracket	7.6830	AH	Screw (#10-32 x 3/4 fl. hd.)	N.S.
P	Armature	7.6805			
Q	Nut	7.7035			
R	Washer (1/2 O.D.)	7.7207			
S	Coil	7.6887			

ELECTRICAL



CLUSTER & TELL TALE PANEL



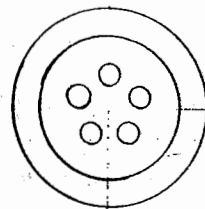
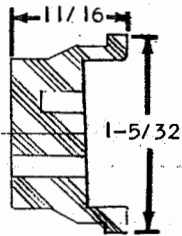
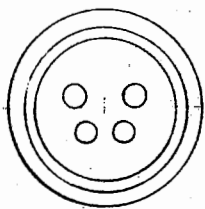
DRIVER'S CONTROL PANEL

KEY TO DRIVER'S CONTROL PANEL

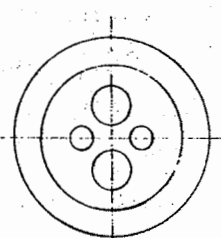
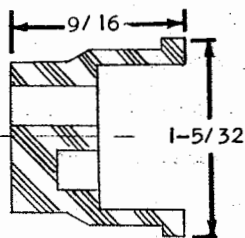
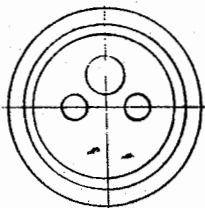
Key	Description	Group No.
A	PLATE - name, control panel	7. 5095
B	HOUSING	7. 5075
C	SWITCH - drivers lamp	7. 6240
D	SWITCH - drivers fan	7. 6247
E	SWITCH - passenger chime signal	7. 6335
F	SWITCH - air cond. & heating control	7. 6290
G	SWITCH - air cond. starter & choke	7. 6350
H	PANEL - junction (7-15/16" x 16-7/8"-90 posts)	7. 7330
J	FLASHER	7. 6476
K	RESISTOR - stop lamp	7. 7345
L	JUNCTION - battery (Part of Key letter H)	
M	BREAKER - circuit	7. 7275
N	CARRIER - circuit breaker (8-7/16" long)	7. 7284
P	RELAY - horn	7. 7340
Q	RELAY - master	7. 7340
R	RELAY - stop lamp	7. 7340
S	BUZZER - passenger signal	7. 7375
T	BUZZER - tell tale alarm	7. 7280
U	RECTIFIER - (Prior to 1566)	7. 7343
V	PLATE - mounting (Driver's control panel)	7. 5095
W	CABLE - battery junction to control panel	7. 8177
X	CLAMP - junction panel to drivers control panel	7. 8280
Y	BRACKET - stop lamp resistor	7. 7265
Z	HARNESS - wiring (Driver's control panel)	7. 8200
AA	HARNESS - wiring (Driver's control panel to gauge panel)	7. 8200

ELECTRICAL

WIRING HARNESS FITTINGS

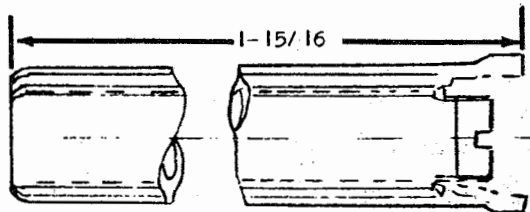


5297588



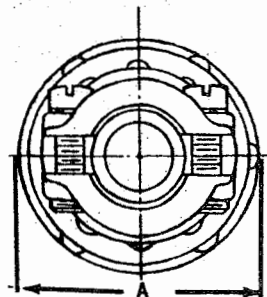
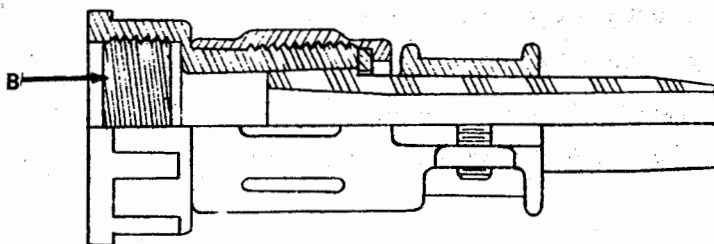
5297587

BOOT



5291294

FUSE HOLDER BODY

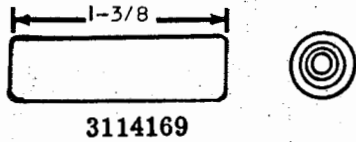


CABLE CLAMP

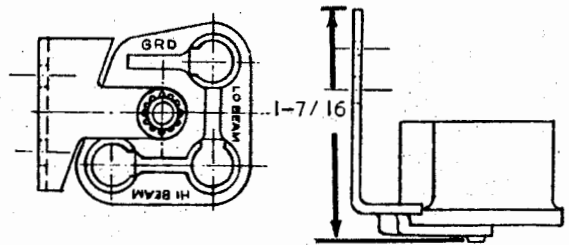
	A	B
5297561	25/32	5/8-24
5297562	29/32	3/4-20
5297563	1-1/16	7/8-20

ELECTRICAL

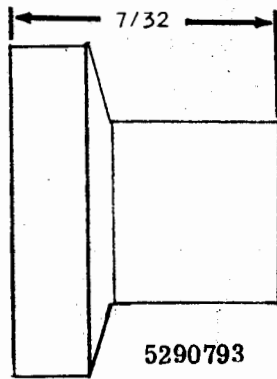
WIRING HARNESS FITTINGS (Cont'd)



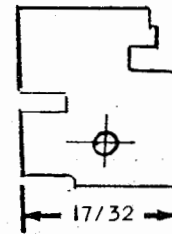
3114169
WIRE CONNECTOR



5291640
CONNECTOR (W/BRKT.)

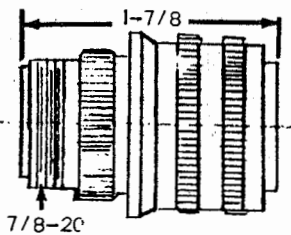


5290793

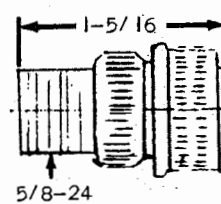
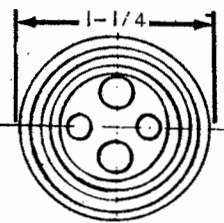


5291641

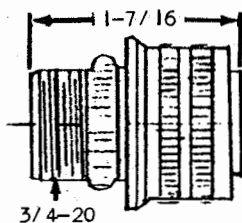
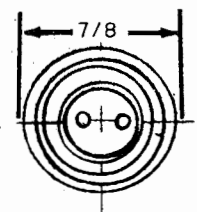
CONTACT



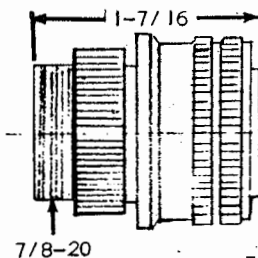
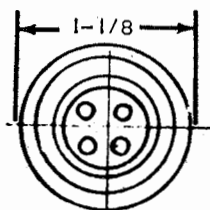
5297514



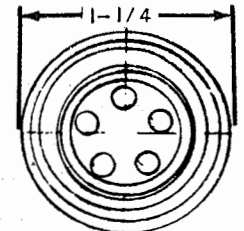
5297567



5297566



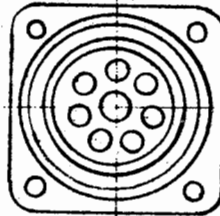
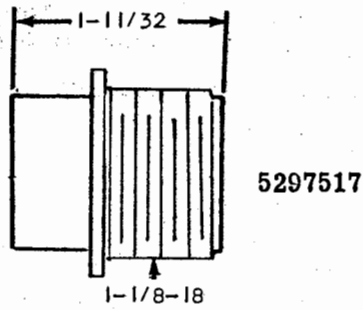
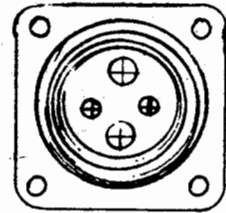
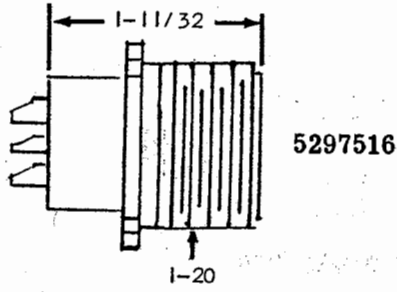
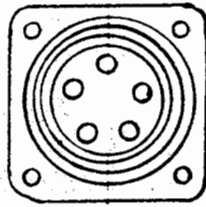
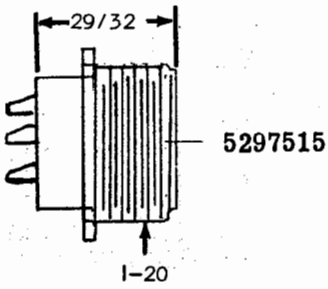
5297521



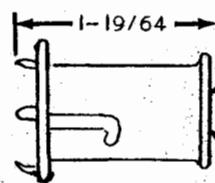
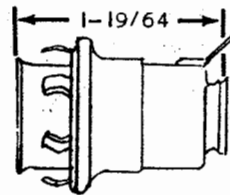
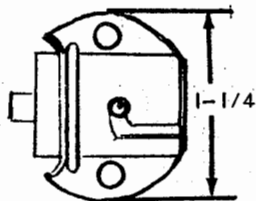
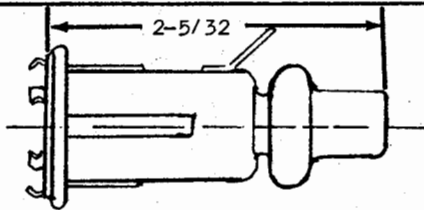
PLUG

ELECTRICAL

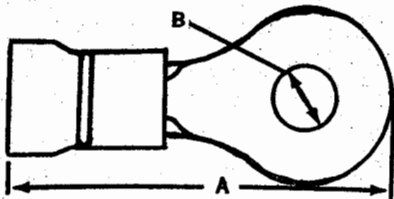
WIRING HARNESS FITTINGS (Cont'd)



RECEPTACLE

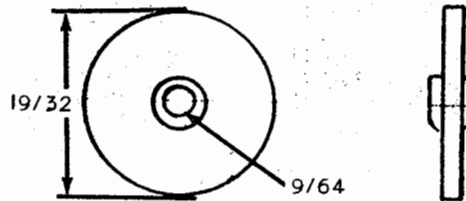


SOCKET



TERMINAL

	A	B
2241091	.921	.145
2241093	.890	.145
2241095	1.015	.197



WASHER (W/FERRULE)

HEADLAMP

7.0010	2	898162	LAMP-head-incl. door etc. Repl 926265.
7.0080	2	5944657	DOOR-head lamp-repl. 5944658.
7.0090	2	5930594	GASKET-head lamp door-7 3/8 OD. Repl. 3720928.
7.0110	2	3722121	GASKET-head lamp mounting-repl. 3691000, 3716109.
7.0144	2	5939769	NUT-head lamp adjusting screw-friction.
7.0145	16	3718300	NUT-head lamp mounting-speed. To supt. screw. #10-12. U shaped.
7.0170	2	924535	RING-mounting, head lamp.
7.0180	2	5947048	RING-retaining, head lamp-repl. 5941092.
7.0200	4	924561	SCREW-adjusting, head lamp.
7.0210	2	450521	SCREW-head lamp door.
7.0240	6	924552	SCREW-head lamp retaining ring-#8-32 x 21/64.
7.0250	2	5956013	SEALED BEAM-head lamp-repl. 193143, 193192, 456796, 5947324.
7.0300	6	804463	SLEEVE-head lamp socket.
7.0330	2	5939791	SPRING-head lamp door-bottom.
7.0330	2	5944278	SPRING-head lamp door-top.
7.0370	1	2294124	SUPPORT-head lamp-RH.
7.0370	1	2294125	SUPPORT-head lamp-LH.
7.0375	4	200078	TERMINAL-head lamp wiring-Type H.
7.0375	2	2241095	TERMINAL-head lamp wiring-Type B.
7.0400	2	5936909	WIRING-head lamp-incl. connector sleeve & terminal.

STOP AND TAIL LAMP

7.0620	2	899102	LAMP-stop and tail-stop & directional. Repl. 928357
7.0620	2	899511	LAMP-stop and tail-tail. (single socket type. W/alum. door. Repl. 927571 lamp.)
7.0640	2	919777	BODY-tail lamp-tail.
7.0675	2	142456	BULB-stop & tail lamp-stop & rear directional. #1141-3 C.P.-S.C.
7.0675	2	142450	BULB-tail lamp-tail. #67-3 C.P.-S.C.
7.0690	2	5942835	DOOR-tail lamp-stop & directional. Repl. 5943494.
7.0690	2	5951514	DOOR-tail lamp-tail. Chrome. Repl. 5944282 & 914084. Part of 927571 lamp.
7.0690	2	5951515	DOOR-tail lamp. Incl. lens (alum.) Part of 899511 lamp.
7.0710	AR	822940	EYELET-tail lamp door-w/round lamp. W/918044 door ASM.
7.0730	AR	911771	GASKET-tail lamp door-4-1/4 OD. Round.
7.0755	2	5940206	GASKET-stop & tail lamp lens-stop & rear directional.
7.0790	2	5951333	LENS-tail lamp-red. Stpd. 5951333. Repl. 919044.
7.0790	2	5939211	LENS-tail lamp door-red. Stop & rear directional.
7.0805	2	5932423	NUT-stop lamp door screw-speed. Stop & directional.
7.0820	AR	911597	NUT-tail lamp socket plate-1/4-28 x 3/8.
7.0852	4	5935509	PLATE-stop lamp terminal-stop & directional repl. 922786.
7.0855	2	5941070	REFLECTOR-stop lamp-stop & directional.
7.0870	AR	912048	SCREW-tail lamp door-tail. Part of 927571 lamp.
7.0870	4	5945721	SCREW-tail lamp door-tail. Part of 899511 lamp.
7.0870	2	5936796	SCREW-tail lamp door-stop & directional.
7.0900	2	5937232	SOCKET-tail lamp-tail. Incl. plate. Part of 927571 lamp.
7.0900	2	5948479	SOCKET-tail lamp-incl. plate. Part of 899511 lamp.
7.0900	2	5944957	SOCKET-tail lamp-stop & directional.
7.0955	2	920759	SPRING-tail lamp socket-stop & directional.
7.0957	6	238288	SPRING-stop lamp lens-stop & directional.
7.0958	4	922785	SPRING-stop lamp lens-stop & directional.
7.0990	AR	2297447	WASHER-tail lamp eyelet-repl. 826332.

BEAM INDICATOR, INSTRUMENT AND
COMPARTMENT LAMP

7.1036	3	142454	BULB-compartment lamp-engine. #93-15 C.P.-S.C.
7.1090	AR	920354	SOCKET-lamp-engine compartment instrument panel. Part of engine compt. harness.
7.1090	AR	1851916	SOCKET-lamp-instrument panel. 1-23/64 in. long.
7.1090	12	5288039	SOCKET-lamp-tell tale. Part of 2298601-2 inst. panel.

MARKER LAMP

7.1120	1	2297941	LAMP-marker-front.
7.1120	1	2297942	LAMP-marker-rear.
7.1130	1	2301528	BACK-marker lamp-RH front.
7.1130	1	2301531	BACK-marker lamp-LH front.
7.1130	1	2301533	BACK-marker lamp-RH rear.
7.1130	1	2301536	BACK-marker lamp-LH rear.
7.1150	1	2301546	BODY-marker lamp-RH front corner. Amber.
7.1150	1	2301547	BODY-marker lamp-LH front corner. Amber.
7.1150	1	2301548	BODY-marker lamp-RH rear corner. Red.
7.1150	1	2301549	BODY-marker lamp-LH rear corner. Red.
7.1155	1	2311379	BOOT-marker lamp lens-front corner marker lamp.
7.1155	1	2311380	BOOT-marker lamp lens-rear corner marker lamp.
7.1163A	4		BULB-marker lamp-#89-6 C.P.-S.C. Pro.-loc.
7.1190	6	2298685	GASKET-marker lamp lens-center. Front & rear.
7.1190	2	2301530	GASKET-marker lamp lens-R & LH front.
7.1190	2	2301535	GASKET-marker lamp lens-R & LH rear.
7.1195	2	2301284	GASKET-mounting, marker lamp-front side-front section.
7.1195	2	2301285	GASKET-mounting, marker lamp-front side-rear section.
7.1195	2	2301286	GASKET-mounting, marker lamp-rear side.
7.1195	1	2303079	GASKET-mounting, marker lamp-front mich.
7.1195	1	2303080	GASKET-mounting, marker lamp-rear mich.
7.1197	4	2091486	GROMMET-marker lamp wire.
7.1199	1	2301701	HOUSING-marker lamp-RH front.
7.1199	1	2301702	HOUSING-marker lamp-LH front.
7.1210	3	2298684	LENS-marker lamp-front. Amber.
7.1210	3	2298688	LENS-marker lamp-rear. Red.
7.1210	1	2301529	LENS-marker lamp-RH front. Amber.
7.1210	1	2301532	LENS-marker lamp-LH front. Amber.
7.1210	1	2301534	LENS-marker lamp-RH rear. Red.
7.1210	1	2301537	LENS-marker lamp-LH rear. Red.
7.1223	6	2298686	RETAINER-marker lamp-lens rim.
7.1227	AR	2243272	RIVNUT-marker lamp mounting screw-.625 long.
7.1227	AR	2248137	RIVNUT-marker lamp mounting screw-.647 long.
7.1235	2	5297668	SOCKET-marker lamp-front. Part of wiring harness #5298570.
7.1235	2	5297668	SOCKET-marker lamp-rear. Part of wiring harness #5298562.
7.1237	6	672354	SPRING-marker lamp socket.
7.1255	AR	2299970	WIRE-marker lamp-12 in. long.
7.1255	AR	2299971	WIRE-marker lamp-9 in. long.
7.1255	2	2306370	WIRE-marker lamp-4-1/2 in. long.

DOME LAMP

7.1260	22	2297954	LAMP-dome.
7.1260	2	2297955	LAMP-dome-dome & night lamp.
7.1274	26	187195	BULB-dome lamp-frosted. #93-S.C.-12 to 18 volts.
7.1310	24	2297956	LENS-dome lamp-dome & night lamp.

STEPWELL LAMP

7.1400	1	917297	LAMP-stepwell-entrance door incl. body, plate, lens etc. Repl. 926144.
7.1405	1	5935793	BODY-stepwell door lamp.
7.1416	1	5935755	GASKET-stepwell lamp.
7.1417	1	5935797	LENS-stepwell lamp.
7.1419	1	5935777	PLATE-stepwell lamp-base.
7.1425	AR	5940254	SOCKET-stepwell lamp.
7.1427	1	920759	SPRING-stepwell lamp socket-retaining.
7.1440	1	5935847	WIRE-stepwell door lamp.

FOG LAMP

7.1450	2	925388	LAMP-fog-amber lens chrome. Replaces 926139 painted lamp.
7.1468	2		BULB-fog lamp-#1011. 32 C.P.-12 to 16 volts pro. loc.
7.1470	2	920325	CAP-fog lamp bulb.

7.1472	6	5930413	CLIP-fog lamp door lens.
7.1475	2	5944684	DOOR-fog lamp-repl. 5944786, 5941977, 924565.
7.1478	2	5930408	GASKET-fog lamp-lens.
7.1478	2	3716109	GASKET-fog lamp-mounting. Repl. 3691000.
7.1478	1	5930594	GASKET-fog lamp-door. Repl. 3720928.
7.1485	2	5931215	LENS-fog lamp-amber.
7.1487	4	5939769	NUT-fog lamp.
7.1497	2	5931216	REFLECTOR-fog lamp.
7.1498	2	5930409	RING-fog lamp-mounting.
7.1498	2	5947048	RING-fog lamp-retaining. Repl. 5943017.
7.1500	4	924561	SCREW-fog lamp-adjusting. 1/4-28 x 1-1/32.
7.1500	6	924552	SCREW-fog lamp-retaining. #8-32 x 21/64.
7.1503	4	804463	SLEEVE-fog lamp wire.
7.1505	4	5931749	SPRING-fog lamp-body.
7.1505	6	5939791	SPRING-fog lamp-door. Repl. 924568.
7.1513	2	200078	TERMINAL-fog lamp wiring-type H #8.
7.1513	2	2241095	TERMINAL-fog lamp wiring-#14-16 GA wire, #10 screw.
7.1520	2	5936914	WIRING-fog lamp.

READING LAMP

7.1580	10	2297957	LAMP-reading-RH. Incl. toggle switch.
7.1580	10	2297958	LAMP-reading-LH. Incl. toggle switch.
7.1580	1	2300985	LAMP-reading-at rear lounge seat incl. toggle switch.
7.1592C	21	187195	BULB-reading lamp-frosted. #93-S.C.-12 to 18 volts.
7.1594	10	2301477	COVER-reading lamp-RH.
7.1594	10	2301478	COVER-reading lamp-LH.
7.1594	1	2305800	COVER-reading lamp-at rear lounge seat.

NOTE: See Group 7.6240 for reading lamp switch.

BAGGAGE COMPARTMENT LAMP

7.1620	5	2298622	LAMP-baggage compartment.
7.1628	21	142454	BULB-baggage compartment lamp-#93-15 C.P.-S.C.

SPOT LAMP

7.1680	1	2299566	LAMP-spot-incl. sealed beam, screw & switch.
7.1690	1	153782	SCREW-spot lamp-gear hsg 1/4-20 x 3/4 fil. hd.
7.1690	1	602275	SCREW-spot lamp-wedge.
7.1691M	1	446660	SEALED BEAM-spot lamp.

DRIVERS LAMP

7.1693	AR	928544	LAMP-drivers-w/chrome door. Repl. 928673.
7.1697	1	142455	BULB-drivers lamp-#94, 12-16V, 15 C.P.-S.C. w/928673 lamp.
7.1697	1	142454	BULB-drivers lamp-#93, 12-16V, 15 C.P.-S.C. w/928544 lamp.
7.1700	1	5938088	DOOR-drivers lamp-incl. lens. Chrome. Repl. 5942635.
7.1710	2	920759	SPRING-drivers lamp socket.
7.1720	1	5944974	WIRE-drivers lamp-used w/928544 lamp.

TARGET AND LICENSE LAMP

7.1722	1	2301538	BODY-rear license plate lamp.
7.1723D	2		BULB-rear license box lamp-#89G-6 volts. Pro. loc.
7.1724	4	2301541	CLIP-license plate lamp retainer T-bolt.
7.1729	2	2301540	GASKET-rear license plate lamp lens.
7.1732	2	2301539	LENS-target & license plate lamp-target.
7.1746	2	5297531	SOCKET-license plate lamp-part of engine compt. closure door harness.

EMERGENCY DOOR LAMP

7.1750 1 2297984 LAMP-emergency door.
7.1757 1 BULB-emergency door lamp-#53-1 C.P.-S.C. Pro. loc.

DIRECTIONAL LAMP

7.1800 2 5944649 LAMP-directional-front.
7.1812 2 142456 BULB-directional lamp-#1141-21 C.P.-D.C.
7.1825 2 5942835 DOOR-directional lamp-front. Repl. 5943494.
7.1835 2 5940206 GASKET-directional lamp lens-front.
7.1845 2 5939210 LENS-directional lamp-front.
7.1852 2 5941070 REFLECTOR-directional lamp-front.
7.1857 AR 238288 SPRING-directional lamp-front. Reflector & socket.
7.1858 2 5941484 SOCKET-directional lamp-front.
7.1870 2 5941415 WIRE-directional lamp-front.

FARE BOX LAMP

7.1900 1 928544 LAMP-fare box-chrome. Incl. body, door, wire, spring & bulb. Repl. 928673 painted lamp. Screw #6-32 x 3/8 rd. sl. hd.
7.1902 1 142454 BULB-fare box lamp-#93, 12-16 volt, 15 CP, SC. Part of 928544 lamp.
7.1902 1 142455 BULB-fare box lamp-#94-15 C.P.-D.C. Part of 928673 lamp.
7.1903 1 5938098 DOOR-fare box lamp.
7.1905 1 2301213 HOUSING-fare box lamp.
7.1907M 3 920759 SPRING-fare box lamp socket-part of 928544 lamp.
7.1908 1 5944974 WIRE-fare box lamp-part of 928544 lamp.

STARTING MOTOR

7.2000 1 1114006 MOTOR-starting-stpd. 1114006. Complete. Repl. 1108827.

NOTE: Refer to group 7.5960 for solenoid and group 7.6142 for solenoid attaching screw.

7.2020 7 1920387 ARMATURE-starting motor-incl. brake shoe washer.
7.2030 1 1909550 BAND-starting motor cover-incl. screw #10-32 x 1 1/4 rd. hd.
7.2110 8 1906909 BRUSH-starting motor-screw #8-32 x 5/16 Rd. hd.
7.2130 1 1877962 BUSHING-starting motor center bearing-1.101 UD x 1.255 OD x 1 11/32 in. long.
Part of center brg. plate.
7.2140 1 038273 BUSHING-starting motor C.E.-.544 ID x .755 OD x 31/32 in. long part of CE frame.
7.2150 1 1938754 BUSHING-starting motor D.E.-part of drive housing.
7.2180 1 1909848 CABLE-starting motor connector-solenoid.
7.2210 2 1885345 COIL-starting motor field-part of 1108827 screw #10-32 x 1/2 hex. hd.
7.2210 2 1937667 COIL-starting motor field-part of #1114006.
7.2220 1 1919853 COLLAR-space, starting motor-between armature & center bearing.
7.2240 1 1916224 COLLAR-stop, starting motor-pinion.
7.2290 1 1909514 FRAME-starting motor-C.E. incl. bushing, washer, oiler & wick.
7.2293 1 1914867 GASKET-starting motor center bearing-plate.
7.2297 1 1909531 GASKET-starting motor shift lever shaft
7.2310 1 1922703 GUIDE-starting motor drive pinion.
7.2320 4 1909521 HOLDER-starting motor brush-part of brush plate.
7.2330 1 1878832 HOUSING-starting motor drive-incl. bushing, wick, oiler & screw 1/4-20 x 9/16 Rd. Hd.
7.2390 1 1864012 LEVER-starting motor shift.
7.2400 1 1909576 LINK-starting motor shift lever -also adjusting screw.
7.2430 1 1919848 OILER-starting motor-part of CE frame.
7.2430 1 1919852 OILER-starting motor-part of drive housing.
7.2430 1 1919850 OILER-starting motor-part of center brg. plate.
7.2470 1 1857826 PIN-starting motor shift.
7.2490 1 1922921 PINION-starting motor drive.
7.2500 2 1874848 PLATE-insulating starting motor brush holder-space. Insulating brush. Part of brush plate.
7.2500 2 1874851 PLATE-insulating starting motor brush holder-space. Ground brush. Part of brush plate.

7.2510	1	1909523	PLATE-insulating, starting motor brush plate-part of brush plate.
7.2520	1	1909527	PLATE-starting motor brush-incl. plates, spring, holder, washer & screws. Screw #8-32 x 1/2 rd. hd.
7.2520	1	1907467	PLATE-starting motor brush-part of brush plate. W/soldered terminal.
7.2530	1	1874847	PLATE-starting motor brush holder-support. Brass. Part of brush plate.
7.2530	2	1874846	PLATE-starting motor brush holder-insulation part of brush plate.
7.2540	1	1919849	PLATE-starting motor center bearing-incl. bushing, oiler & oiler wick.
7.2590	2	1861786	SCREW-starting motor brush holder-long, insulating brush. #10-32 over all lgth. 2 1/64, rd. hd. part of brush plate.
7.2590	2		SCREW-starting motor brush holder-short, insulating brush. #10-32 x 3/8 fillister hd. part of brush plate. Procure locally.
7.2590	2	1861787	SCREW-starting motor brush holder-long, ground brush. #10-32 over all lgth. 1 49/64 rd. hd. part of brush plate.
7.2590	2	1912728	SCREW-starting motor brush holder-short, ground brush, 3/16-32 x 21/32 rd. hd. Part of brush plate.
7.2615	4	1867877	SCREW-starting motor-attaching, CE frame. 1/4-28 x 1 hex. hd.
7.2615	5	1874496	SCREW-starting motor-attaching, drive hsg. 1/4-28 x 1 3/8.
7.2620	8	1843646	SCREW-starting motor pole shoe. 3/8-24 x 3/4 fl. hd.
7.2650	4	1907482	SHOE-pole, starting motor-part of 1108827.
7.2650	2	1934478	SHOE-pole, starting motor-R.H. Part of 1114006.
7.2650	2	1934477	SHOE-pole, starting motor-L.H. Part of 1114006.
7.2660	1	1907636	SLEEVE-starting motor shift.
7.2670	8	1861785	SPRING-starting motor brush holder-part of brush plate.
7.2680	1	1906080	SPRING-starting motor meshing-drive pinion.
7.2690	1	1864020	SPRING-starting motor shift lever return.
7.2700	2	1913534	STRIP-field coil-insulation.
7.2710	3	2103321	STUD-starting motor-to flywheel housing. 5/8-11-18 x 2 1/4. Not part of motor.
7.2710	1	1911610	STUD-starting motor-terminal.
7.2765	5	1873008	WASHER-starting motor-DE attaching screw. 17/64 ID x 31/64 OD, lock.
7.2765	4	1900310	WASHER-starting motor-CE attaching screw. 17/64 ID x 31/64 OD, lock. Repl. 1873008.
7.2765	2	032898	WASHER-starting motor-field coil to ground screw. Plain .194 ID x 1/2 OD.
7.2770	3	810794	WASHER-starting motor brush plate ins. Plate-plain. .174 ID x 5/16 OD.
7.2770	8	1861788	WASHER-starting motor brush plate insulation plate-insulation .207 ID x .368 OD. Part of brush plate.
7.2790	1	811912	WASHER-starting motor terminal-CE terminal stud. .317 ID x .625 OD, plain. Replaces 1902495.
7.2790	4	1861791	WASHER-starting motor terminal-insulating, CE terminal stud. 3/8 ID x 7/8 OD.
7.2790	1	1906046	WASHER-starting motor terminal-insulating, CE terminal. 33/64 ID x .692 OD.
7.2800	1	1858490	WASHER-brake, starting motor-CE. 5/8 ID x 1 3/4 OD, fiber. Part of CE frame.
7.2800	1	1856819	WASHER-brake, starting motor-brake shoe. 1 5/8 in tapered. Part of armature.
7.2820	1	1906089	WASHER-space, starting motor-between center brg. & shift sleeve. 1 1/64 ID x 1 1/4 OD.
7.2820	1	1906090	WASHER-space, starting motor-between center brg. & shift sleeve. 1 ID x 1 3/4 OD cupped.
7.2830	1	1909654	WICK-oil, starting motor-5/16 x 2 in. long. Part of DE housing.
7.2830	1	1909560	WICK-oil, starting motor-part of CE frame.
7.2830	1	1919851	WICK-oil, starting motor-part of center brg. plate.

GENERATOR

7.3000	1	1117604	GENERATOR-stpd. 1117604. 12 volt-160 AMP.
7.3060	1	1924527	ARMATURE-generator.
7.3080	1	1909966	BAND-generator cover-incl. screw.
7.3090	1	7450849	BEARING-generator-D.E. inner. Stpd. #A-5306.
7.3090	1	7450935	BEARING-generator-inner. Stpd. #A-1306.
7.3090	1	7450936	BEARING-generator-D.E. Stpd. #1306-TS.
7.3090	1	954267	BEARING-generator-C.E. Stpd. #87604-X1C.
7.3100	6	5185793	BOLT-generator-internal gear to balancer 7/16-20 x 1-3/4.
7.3150	6	1906910	BRUSH-generator.
7.3170	1	1909948	BUSHING-generator brush holder stud-insulating, screw.
7.3190	1	1909911	BUSHING-insulating, generator terminal stud-field coil.
7.3190	1	1909912	BUSHING-insulating, generator terminal stud-armature.
7.3193	1	1909944	BUS BAR-generator-incl. connector. Brush holder.
7.3205	1	1528441	CLEANER-air, generator-element.
7.3240	1	1924512	COIL-generator field-LH upper. to ground.

ELECTRICAL

7.3240	1	1924514	COIL-generator field-RH upper. to field.
7.3240	2	1924516	COIL-generator field-stpd. 1924516.
7.3240	2	1924515	COIL-generator field-stpd. 1924515.
7.3240	1	1924518	COIL-generator field-interpole.
7.3265	1	2291649	COUPLING-generator-air outlet.
7.3267	1	1910832	COVER-generator air filter ring.
7.3273	2	1860863	CUP-generator-grease.
7.3290	1	1924535	FRAME-generator-C.E.-incl. brg. sleeve & pin.
7.3290	1	1924536	FRAME-generator-D.E.-incl. seal.
7.3295	1	2226236	GASKET-generator air cleaner air outlet-pipe.
7.3295	1	2260590	GASKET-generator air cleaner air outlet-hose coupling.
7.3310	1	1909965	GASKET-generator ball bearing retaining plate-D.E.
7.3310	1	1924426	GASKET-generator ball bearing retaining plate-C.E.
7.3330	1	2192907	GASKET-generator mounting.
7.3330	1	5185810	GASKET-generator mounting-to flywheel hsg. part of engine.
7.3335	1	5185810	GASKET-generator spacer ring-part of engine.
7.3345	1	2194836	GEAR-drive, generator-internal w/18 external teeth.
7.3345	1	5185791	GEAR-drive, generator-external with 31 internal teeth.
7.3350	3	1909941	HOLDER-generator brush-insulated.
7.3350	3	1909942	HOLDER-generator brush-ground.
7.3353	1	3125764	HOSE-generator-air cleaner outlet pipe. 3 ft. long. CTL
7.3380	1	1909910	INSULATOR-generator coil & pole shoe.
7.3410	AR	5024654	NUT-generator brush holder stud-.344 OD.
7.3430	2	1878833	NUT-generator shaft-D.E. 3/4-16.
7.3430	1	1913392	NUT-generator shaft-C.E.
7.3437	2	1912978	NUT-generator terminal stud.
7.3444	3	1887320	PIN-generator brg. sleeve-C.E. frame.
7.3450	AR	809593	PIN-dowel, generator-.1855 dia. x .307.
7.3453	1	2291646	PIPE-generator air cleaner-air outlet.
7.3455	1	1910829	PLATE-baffle, generator-fan.
7.3460	1	1909958	PLATE-generator ball bearing retainer-D.E. Incl. oil seal.
7.3460	1	1924427	PLATE-generator ball bearing retainer-C.E. outer.
7.3574	1	5185790	RING-generator drive gear-adj.
7.3574E	1	1924425	RING-snap-generator bearing-C.E. inner.
7.3580	AR	1904370	SCREW-attaching, generator plate and cover-cover band supt. brkt. & lead screw 7.16 in. long.
7.3585	3	5185795	SCREW-generator drive gear adj. ring-set.
7.3600	2	1939798	SEAL-oil, generator drive-D.E. retainer plate Repl. 1909957.
7.3615	1	2193743	SLINGER-generator external gear-oil. Used w/coupling.
7.3618	1	1924424	SLEEVE-generator end brg.-C.E. frame.
7.3620	6	1924517	SHOE-pole, generator.
7.3650	12	1909953	SPRING-generator brush.
7.3680	1	1881086	STUD-generator terminal-ground. 3/8-24 x 1-1/4.
7.3680	1	1909902	STUD-generator terminal-field. 1/4-28-1-5/16.
7.3680	1	1909909	STUD-generator terminal-armature. 3/8-24 x 1-11/16.
7.3685	AR	1931161	STUD-generator air filter ring cover repl. 1883451.
7.3686	4	2194861	STUD-generator to flywheel housing-7/16-14, 7/16-20 x 2-11/16.
7.3686	1	060504	STUD-generator to flywheel housing-1/2-13, 1/2-20 x 2-5/8.
7.3720	AR	035812	WASHER-generator-insulation, terminal stud .323 ID x 3/4 OD.
7.3720	AR	1880781	WASHER-generator-lock. .194 ID x 13/32 OD.
7.3720	1	1878834	WASHER-generator-C.E. Armature shaft nut 1.435 OD x 3/4 ID.
7.3720	AR	1900310	WASHER-generator-lock, D.E. & C.E. attaching screw. Repl. 1873008.
7.3720	2	1861791	WASHER-generator-insulating, terminal stud. 7/8 OD.
7.3720	1	1878834	WASHER-generator-external gear nut. 1.435 OD x 3/4 ID.
7.3720	1	1842057	WASHER-generator-insulating, terminal stud 25/64 ID x 3/4 OD.
7.3720	AR	1905125	WASHER-generator-9/16 OD. insulating, terminal stud & plate.
7.3720	AR	1904987	WASHER-generator-plain. 17/64 ID x 25/64.
7.3720	1	1909949	WASHER-generator-insulating, brush holder screw 21/64 ID x 27/32 OD.
7.3720	1	812622	WASHER-generator-plain. Armature terminal stud 3/8 ID x 11/16 OD.
7.3720	6	5185794	WASHER-generator-internal gear to balancer bolt .687 OD-.446 ID.

VOLTAGE AND CURRENT REGULATORS

7.4630	1	1118416	REGULATOR-voltage and current-voltage & current. Stpd. 1118416 repl. 1118408.
7.4630	1	1925891	REGULATOR-voltage and current-current.
7.4630	1	1922851	REGULATOR-voltage and current-voltage.

7.4650	1	1910675	ARMATURE-current regulator.
7.4660	1	1926947	ARMATURE-voltage and current relay-actuating relay. Kit. Consists of Brkt. & armature.
7.4660	1	1931974	ARMATURE-voltage and current relay-circuit breaker. Repl. 1914269.
7.4670	1	1910659	ARMATURE-voltage regulator.
7.4675	1	1913511	BASE-voltage & current regulator.
7.4678	1	1910677	BLOCK-voltage & current regulator-terminal, current element.
7.4678	1	1910650	BLOCK-voltage & current regulator-terminal, voltage element.
7.4678	1	1910705	BLOCK-voltage & current regulator-terminal.
7.4690	2	1910684	BRACKET-voltage and current regulator-circuit breaker. Actuating relay support, armature.
7.4690	1		BRACKET-voltage and current regulator-actuating relay. Support, armature contact. Use kit, group 7.4660.
7.4690	1	1910712	BRACKET-voltage and current regulator-mounting.
7.4700	AR	1900464	BUSHING-insulating, voltage and current regulator-actuating relay & circuit breaker.
7.4700	4	1918825	BUSHING-insulating, voltage and current regulator-insulating, contact support screw.
7.4703	4	1904865	CLAMP-resistor-attaching.
7.4704	2	1904865	CLAMP-voltage & current regulator wiring.
7.4705	1	1910689	COIL-voltage & current regulator-actuating relay.
7.4705	1	1910690	COIL-voltage & current regulator-shunt, actuating relay.
7.4705	1	1913497	COIL-voltage & current regulator-circuit breaker.
7.4705	1	1910672	COIL-voltage & current regulator-current. Incl. bracket.
7.4705	1	1910620	COIL-voltage & current regulator-voltage incl. bracket.
7.4708	5	1910709	COLLAR-voltage and current regulator-space, relay mounting plate.
7.4720	2	1885526	CONTACT-voltage and current regulator-carbon stack washer.
7.4730	1	1910713	COVER-voltage and current regulator.
7.4737	2	1928081	DISC-voltage and current regulator-carbon stack. Repl. 1920326.
7.4740	1	1910715	GASKET-voltage and current regulator cover-repl. 1923297.
7.4745	1	1910708	GASKET-voltage and current regulator-variable resistor.
7.4745	1	1910704	GASKET-voltage and current regulator-terminal block.
7.4745	1	1910716	GASKET-voltage and current regulator-radiator.
7.4747	2	1910612	HOUSING-voltage and current regulator-carbon stack.
7.4755	2	1900481	INSULATOR-voltage & current regulator--actuating relay contact support bracket.
7.4755	4	1900463	INSULATOR-voltage & current regulator-circuit breaker contact & support.
7.4755	1	1923697	INSULATOR-voltage & current regulator-actuating relay shunt coil.
7.4755	2	1910652	INSULATOR-voltage & current regulator-carbon stack contact support.
7.4755	2	1910651	INSULATOR-voltage & current regulator-terminal block.
7.4755	1	1910681	INSULATOR-voltage and current regulator-mounting relay.
7.4760	2	1910720	LEAD-voltage and current regulator-armature.
7.4760	1	1910671	LEAD-voltage and current regulator-current element contact support to terminal block.
7.4760	1	1910720	LEAD-voltage and current regulator-voltage element to F terminal.
7.4760	1	1911449	LEAD-voltage and current regulator-voltage element to variable resistor.
7.4760	1	N. P. N.	LEAD-voltage and current regulator-fixed resistor to variable resistor. Proc. loc.
7.4760	2	N. P. N.	LEAD-voltage and current regulator-fixed resistor to connector. Proc. loc.
7.4760	1	1911449	LEAD-voltage and current regulator-actuating relay to fixed resistor.
7.4760	1	1910711	LEAD-voltage and current regulator-to battery terminal bar.
7.4760	1	1910720	LEAD-voltage and current regulator-current. 20 voltage element carbon stack.
7.4760	1	1925889	LEAD-voltage and current regulator-current regulator shunt.
7.4760	1	1912270	LEAD-voltage and current regulator-circuit breaker to actuating relay stop.
7.4762	2	1910707	NUT-voltage and current regulator-variable resistor mounting.
7.4762	4	9411893	NUT-voltage and current regulator-armature stud. #10-32 x 3/8. Repl. 1884130.
7.4762	2	5024654	NUT-voltage and current regulator-carbon stack support screw. .344 OD.
7.4765	1	1910702	PANEL-voltage and current regulator-terminal block.
7.4766	1	2299254	PLATE-voltage and current regulator-also apparatus.
7.4768	1	1910714	RADIATOR-voltage and current regulator.
7.4769	1	1913499	RELAY-voltage and current regulator-actuating.
7.4769	1	1913496	RELAY-voltage and current regulator-circuit breaker.
7.4769	1	1925611	RELAY-voltage and current regulator-reverse current overload.
7.4770	2	1910706	RESISTOR-voltage and current regulator-variable.
7.4770	1	1913487	RESISTOR-voltage and current regulator-200 OHMS. on actuating relay.
7.4770	3	1910701	RESISTOR-voltage and current regulator-20 OHMS. fixed.
7.4770	1	1925890	RESISTOR-voltage and current regulator-voltage regulator.
7.4795	2	1864099	SCREW-voltage and current regulator-#8-32 x 5/16.
7.4795	2	1919795	SCREW-voltage and current regulator-contact. #10-32 x 13/32.
7.4795	AR	1910648	SCREW-voltage and current regulator-terminal, voltage element #8-32 x 11/16.
7.4795	2	1918479	SCREW-voltage and current regulator-contact, carbon stack, upper.

7.4795	1	1925919	SCREW-voltage and current regulator-resistor plug.
7.4800	4	1904370	SCREW-voltage and current regulator cover-7/16 in. long.
7.4850	1	1911120	SPRING-voltage & current regulator armature-actuating relay.
7.4850	1	1914961	SPRING-voltage & current regulator armature-circuit breaker.
7.4850	4	1911121	SPRING-voltage & current regulator armature-current element.
7.4850	4	1911121	SPRING-voltage & current regulator armature.
7.4863	2	1880808	STUD-voltage and current regulator-F-1 and F-2 terminal 1/4-20 x 1-3/8.
7.4863	4	1910613	STUD-voltage and current regulator-adj. armature spring. Incl. pin.
7.4863	2	1910703	STUD-voltage and current regulator-terminal. 1/2-20 x 1-7/8.
7.4866	1	1931971	SUPPORT-voltage & current regulator-circuit breaker. RH. Incl. contact.
7.4866	1	1931973	SUPPORT-voltage & current regulator-circuit breaker LH. Incl. contact.
7.4866	2	1910616	SUPPORT-voltage & current regulator-carbon stack contact.
7.4868	2	1889389	TUBE-voltage & current regulator-carbon stack.
7.4881	AR	1880781	WASHER-voltage & current regulator-lock. .194 ID x 13/32 OD.
7.4881	AR	834231	WASHER-voltage & current regulator-plain. .196 ID x 7/16 OD.
7.4881	AR	810794	WASHER-voltage & current regulator-plain. .173 ID x 5.16 OD.
7.4881	AR	807716	WASHER-voltage & current regulator-plain. .170 ID x 3/8 OD.
7.4881	2	030205	WASHER-voltage & current regulator-plain. 33/64 ID x 15/16 OD.
7.4881	AR	834560	WASHER-voltage & current regulator-plain. .255 ID x 9/16 OD.
7.4881	4	813493	WASHER-voltage & current regulator-insulating. 11/64 ID x 7/8 OD.
7.4881	2	1910656	WASHER-voltage & current regulator-retainer, carbon stack tube.
7.4881	2	810557	WASHER-voltage & current regulator-current element terminal bolt 1/4 ID x 9/16 OD.
7.4881	2	1911158	WASHER-voltage & current regulator-insulating. .520 ID x .710 OD.
7.4881	4	1918848	WASHER-voltage & current regulator-armature attaching screw. Plain.
7.4881	1	1880909	WASHER-voltage & current regulator-insulating & terminal stud. 7/16 OD.
7.4881	6	1856056	WASHER-voltage & current regulator-armature hinge plate screw.

INSTRUMENTS

7.4887	1	2271185	ALARMOSTAT-engine over heat.
7.4900	1	1501481	AMMETER.
7.4905	AR	R 35543	ANGLE-control panel housing to floor-rubber. 12-1/4 in req'd.
7.4945	1	2300391	BRACKET-instrument panel-drivers control panel hsg. floor angle.
7.4955	6	142450	BULB-instrument cluster-#67-3 CP-SC. Part of cluster.
7.4965	AR	R 35543	CHANNEL-switch and gauge panel-rubber. .110 in. req'd.
7.4980	1	1582521	CLUSTER-instrument-RH. Incl. air gauge, Ammeter & wiring.
7.4980	1	1582520	CLUSTER-instrument-LH. Incl. speedometer, thermo gauge, oil gauge & wiring.
7.4997	6	1582530	FILTER-instrument panel light.
7.5020	1	1508023	GAUGE-air-on instrument panel.
7.5040	1	1506294	GAUGE-oil-at engine. Repl. 1507746.
7.5040	1	1508022	GAUGE-oil-dash unit.
7.5040	1	1508392	GAUGE-oil-sender. Repl. 1508038.
7.5050	1	1513162	GAUGE-temperature-engine unit. Repl. 1512586.
7.5050	1	1512729	GAUGE-temperature-dash unit.
7.5075	1	2301280	HOUSING-drivers control panel.
7.5077	1	2295897	HOUSING-instrument panel.
7.5082	1	2269129	MANIFOLD-instrument panel-oil pressure sender. Incl. bracket.
7.5085	1	1582533	MEDALLIAN-instrument cluster.
7.5088	1	2298602	PANEL-instrument-RH. Switch & tell tale, incl. head lamp switch, marker lamp switch and reading lamp, general light switch and tell tale lamp sockets.
7.5088	1	2298601	PANEL-instrument-LH. Switch & tell tale, incl. starter switch, emergency stop switch, reverse gear switch, engine stop-run switch and tell tale lamp sockets.
7.5092	2	1582528	PLATE-mounting, instrument cluster.
7.5095	1	2300390	PLATE-mounting, instrument panel-drivers control panel cover.
7.5095	1	2300007	PLATE-mounting, instrument panel-drivers control panel.
7.5096	1	2299157	PLATE-name, instrument cluster & panel-control panel.
7.5100	6	1582531	RETAINER-instrument-light filter.
7.5102	4	2243272	RIVNUT-instrument panel-1/4-20 x .625.
7.5118	6	1569821	SPRING-instrument cluster.
7.5140	AR	1569086	WASHER-instrument cluster-mounting. .234 hole.
7.5140	6	1580242	WASHER-instrument cluster-clamping. 5/8 x 19/32 in. sq. w/732 dia. hole.

SPEEDOMETER

7.5150	1	1582532	HEAD-speedometer.
7.5151	2	1565882	BEARING-speedometer-ball, drive shaft.

7.5154	1	2262913	BRACKET-speedometer-drive unit.
7.5156	2	1565889	BRUSH-speedometer drive-rotor.
7.5156	1	1580699	BRUSH-speedometer drive-incl. holder.
7.5156	1	1580702	BRUSH-speedometer drive-w/drive unit 1580697 incl. cover positive terminal.
7.5156	1	1580705	BRUSH-speedometer drive-w/drive unit 1580697 incl. housing ground terminal.
7.5160	AR	2115305	BUSHING-speedometer driven or drive shaft-driven.
7.5170	1	1564915	CABLE-speedometer.
7.5194	1	1580708	COVER-speedometer drive housing-w/1580697 drive unit.
7.5196	1	1580697	DRIVE-speedometer-replaces 1567678 drive ASM.
7.5199	1	552868	GASKET-speedometer-sleeve.
7.5199	1	1580706	GASKET-speedometer-w/1580697 drive unit housing and plug.
7.5199	1	1580374	GASKET-speedometer-w/1580697 drive unit. Housing and cover resistor ring.
7.5199	1	1580703	GASKET-speedometer-w/1580697 drive unit brush and cover positive terminal.
7.5199	1	1568235	GASKET-speedometer-w/1580697 drive unit brush and housing ground terminal.
7.5200	1	2401875	GEAR-drive, speedometer-in transmission.
7.5210	1	2249521	GEAR-driven, speedometer.
7.5225	1	1580699	HOLDER-brush, speedometer drive-incl. brush, staked. w/1580697 drive ASM.
7.5227	1	1580707	HOUSING-speedometer-drive. w/1580697 drive unit.
7.5233	1	1563800	LINER-speedometer drive-insulator.
7.5272	1	1580709	RESISTOR-speedometer drive-incl. plug.
7.5285	1	182924	SCREW-speedometer-set, brush holder. #10-32 x 1/4.
7.5287	1	2041113	SEAL-speedometer-oil, sleeve.
7.5287	AR	1565877	SEAL-speedometer-oil, drive shaft & rotor.
7.5290	1	1565875	SHAFT-speedometer-drive. Incl. terminal.
7.5305	1	2043587	SLEEVE-speedometer-drive. Bolt 5/16-18 x 1.
7.5313	2	1562735	SPRING-speedometer-rotor brush.
7.5317	1	2222651	WASHER-speedometer-oil seal sleeve.
7.5317	2	1565878	WASHER-speedometer-dust, shaft bearing 7/32 ID x 9/16 OD.
7.5317	1	1565876	WASHER-speedometer-drive shaft oil seal .375 ID x 1/2 OD.
7.5317	2	1515628	WASHER-speedometer-brass. Speedometer drive .139 ID x 1/4 OD.
7.5317	2	1580510	WASHER-speedometer-w/1580697 drive ASM. Dust and bearing. .255 ID x .738 OD.

SPEEDOMETER ADAPTER

NOTE: Refer to final vehicle record for part no. of speedometer adapter used.

7.5365	1	2087803	KEY-speedometer adapter.
--------	---	---------	--------------------------

TACHOMETER & TACHOGRAPH DRIVE

NOTE: See front axle illustration for tachograph parts.

7.5700	1	5155819	ADAPTER-tachometer drive.
7.5708	2	2339922	BUSHING-tachograph drive-in steering knuckle SL-11797-Div. L-M, 12448-Div. F-H-J-K.
7.5708	1	284414	BUSHING-tachograph drive-in steering knuckle SL-11797-Div. L-M, SL-12448-Div. F-H-J-K.
7.5715	1	849330	CAP-tachometer drive sleeve-std. & SL-11797, SL-12448.
7.5740	1	5168555	COVER-tachometer drive-incl. studs.
7.5750	1	2339919	DRIVE-tachograph-in front hub cap. SL-11797-Div. L-M, SL-12448-Div. F-H-J-K.
7.5755	1	2194974	FITTING-tachometer driven gear-incl. driven gear. w/power strg. SL-11797, SL-12448.
7.5760	1	5113061	GASKET-tachometer drive-cover.
7.5760	1	5155816	GASKET-tachometer drive-adapter
7.5780	1	2354365	GEAR-tachograph drive-in front axle SL-11797-Div. L-M, SL-12448-Div. F-H-J-K.
7.5790	1	2339916	GEAR-tachograph driven-in front axle SL-11797-Div. L-M, SL-12448-Div. F-H-J-K.
7.5820	1	218218	KEY-tachograph drive gear-in front axle SL-11797-Div. L-M, SL-12448-Div. F-H-J-K.
7.5825	1	274312	NUT-tachograph drive gear-LH in front axle. 5/16-24 hex. repl. 2357972, 2198796. SL-11797-Div. L-M, SL-12448-Div. F-H-J-K.
7.5830	1	2339921	PLATE-tachograph drive shaft-in front axle SL-11797-Div. L-M, SL-12448-Div. F-H-J-K.
7.5857	2	2339920	RIVET-tachograph drive-in front hub cap SL-11797-Div. L-M, SL-12448-Div. F-H-J-K.
7.5860	1	5188558	SHAFT-drive, tachometer-incl. slinger. Repl. 5168558.

7.5860	1	2354364	SHAFT-tachograph drive-incl. plate. In front axle. SL-11797-Div. L-M, SL-12448-Div. F-H-J-K.
7.5867	1	2371444	SLEEVE-tachograph driven gear-in front axle SL-11797-Div. L & M, SL-12448-Div. F-H-J-K.
7.5870	1	5155818	SLINGER-tachometer-oil. Drive shaft.
7.5885	1	2339914	SPACER-tachograph drive shaft 25/64 ID x 5/8 OD. SL-11797 Div. L-M, SL-12448-Div. F-H-J-K in front axle.
7.5900	2	5178946	STUD-tachometer drive cover.
7.5945	1	2071181	WASHER-tachometer drive cap-w/SL-11797, SL-12448.
7.5945	AR	2354366	WASHER-tachograph drive spacer-in front axle .010 thk. SL-11797-Div. L-M, SL-12448-Div. F-H-J-K.
7.5945	AR	2339915	WASHER-tachograph drive spacer-in front axle .051 thk. SL-11797-Div. L-M. SL-12448-Div. F-H-J-K.

SOLENOID

7.5960	1	001535	SOLENOID-reverse, transmission. Complete.
7.5960	1	001424	SOLENOID-engine choke valve. Complete.
7.5960	1	1119805	SOLENOID-starting motor-complete stpd. 1119805. Part of starting motor. Repl. 1118171.
7.5963	1	1845217	BASE-solenoid-incl. plunger stop, welded. Part of solenoid #001424.
7.5967	1	2049721	BOLT-solenoid-trans. reverse. 3/16-16 x 1 7/1 used w/trans. reverse solenoid.
7.5970	1	1847234	BOOT-solenoid plunger-part of solenoid #001535.
7.5980	1	1850890	BRACKET-solenoid-terminal. Incl. stud, insulator, washers & clip. Part of solenoid #001535.
7.5987	1	2029913	BUSHING-solenoid-reverse trans. lever. Used w/reverse transmission solenoid.
7.5990	1	1845214	CASE-solenoid-part of solenoid #001424.
7.5990	1	1922233	CASE-solenoid-incl. coil soldered. Part of 1118171, 1119805 solenoid.
7.6000	1	1847233	CLAMP-solenoid plunger boot-reverse trans. Part of solenoid #001535.
7.6010	2	1878503	CLAMP-solenoid terminal-starting motor.
7.6025	1	1847418	CLIP-solenoid terminal-reverse trans. Part of solenoid #001535.
7.6030	1	1862901	COIL-solenoid-part of solenoid #001424, 1118010, 1119903.
7.6030	1	1857307	COIL-solenoid-reverse trans. Part of solenoid #001535.
7.6060	1	1850892	COVER-solenoid-reverse trans. Part of solenoid #001535.
7.6060	1	1867646	COVER-solenoid-part of solenoid #001424.
7.6070	1	1907714	DISC-solenoid contact-starting motor.
7.6080	1	1906053	GASKET-solenoid terminal plate-part of 1119805, 1118171 solenoids.
7.6084	1	1877519	GASKET-solenoid cover-reverse trans. 2-7/8 ID x 3-1/2 OD. Part of solenoid #001535.
7.6084	1	1877518	GASKET-solenoid cover-cover to terminal. Reverse trans. 1/2 ID x 1 OD w/one flat side. Part of solenoid #001535.
7.6086	1	1857308	INSULATOR-solenoid contact plate-reverse trans. Part of solenoid #001535.
7.6090	1	1855488	INSULATOR-solenoid terminal-stud, inside. Starting motor terminal plate. Repl. 1906045.
7.6090	1	1905466	INSULATOR-solenoid terminal-stud. Reverse trans. 3/4 x 31/64 w/1 .252 dia. hole. Part of solenoid #001535.
7.6093	1	2041299	LEVER-solenoid-reverse trans. incl. bushing. Used w/reverse trans. solenoid.
7.6095	1	1871630	LINK-solenoid-adjusting. Reverse trans. Part of solenoid #001535.
7.6110	1	825229	PIN-solenoid push rod-1 in. long. Part of solenoid #001424.
7.6120	1	1907367	PLATE-solenoid terminal-starting motor. Incl. terminal, soldered, plate, studs, insulator, bushing, support & washers.
7.6120	1	1906494	PLATE-solenoid terminal-starting motor. Less studs, insulator, bushings, support & washers.
7.6125	1	1857304	PLATE-solenoid contact-reverse trans. Part of solenoid #001535.
7.6130	1	1847232	PLUNGER-solenoid-reverse trans. Part of solenoid #001535.
7.6130	1	1845219	PLUNGER-solenoid-part of solenoid #001424.
7.6130	1	1883642	PLUNGER-solenoid-starting motor. Incl. rod, 1939262 welded. Part of solenoid #1118171.
7.6130	1	1939262	PLUNGER-solenoid-starting motor. Incl. push rod. Part of 1119805 solenoid.
7.6140	1	1857306	ROD-solenoid-push. Reverse trans. Part of solenoid #001535.
7.6140	1	1845220	ROD-solenoid-push. Part of solenoid #001424.
7.6141	1	1871630	SCREW-solenoid-adj. includes link. Reverse trans. part of solenoid #001535.
□ 7.6141	4	1930611	SCREW-solenoid-mtg. starting motor solenoid incl. lockwasher.
7.6150	2	1888940	SCREW-solenoid terminal-#10-32 x 5/16 hex. hd.
7.6170	1	1929286	SPRING-solenoid-contact, reverse trans. Part of solenoid #001535. Repl. 1857300.

7.6170	1	1845223	SPRING-solenoid-push rod. Part of solenoid #004124.
7.6170	1	1869505	SPRING-solenoid-contact. On push rod. Starting motor. Part of solenoid #1118171.
7.6170	1	1904971	SPRING-solenoid-plunger return. Part of 1119805 solenoid.
7.6180	1	1909829	STRAP-solenoid terminal-starting motor.
7.6190	1	1847243	STUD-solenoid terminal-reverse trans. 1/4-20 x 1-5/16. Part of solenoid #001535.
7.6190	1	1907370	STUD-solenoid terminal-starting motor. 1/2-13 x 1 3/16, head 7/32 thk.
7.6190	1	1907371	STUD-solenoid terminal-starting motor. 1/2-13 x 1 3/16, head 9/32 thk.
7.6190	2	822205	STUD-solenoid terminal-#8-32 x 3/4. Part of solenoid #001424.
7.6200	1	1906051	SUPPORT-solenoid terminal-starting motor.
7.6210	1	2104066	YOKE-solenoid-used w/gov. control solenoid w/modulating gov.
7.6220	1	834560	WASHER-solenoid-plain, terminal stud. Reverse trans. .255 ID x 9/16 OD. Part of solenoid #001535.
7.6220	2	1874495	WASHER-solenoid-lock, terminal stud. Reverse trans. 17.64 ID x 33/64 OD. Part of solenoid #001535.
7.6220	1	810085	WASHER-solenoid-space, adjusting screw. Reverse trans. 33/64 ID x 3/4 OD. Part of solenoid #001535.
7.6220	2	826319	WASHER-solenoid-plain, terminal stud. .255 ID x 27/64 OD. Part of solenoid #001424.
7.6220	2	024754	WASHER-solenoid-plain, terminal stud. 169 ID x 7/16 OD. Part of solenoid #001424.
7.6220	1	1913041	WASHER-solenoid-retainer, contact disc. 17/64 ID x 31/64 OD, cupped. Repl. 1904608. Part of solenoid #1118171 & 1119805.
7.6220	1	1847238	WASHER-solenoid-retainer, contact disc. .190 ID x 31/64 OD, cupped-slotted. Part of solenoid #1118171.
7.6220	1	1849235	WASHER-solenoid-retainer, contact disc. .252 ID x 33/64 OD, plain.
7.6220	3	1880781	WASHER-solenoid-lock. 194 ID x 13/32 OD. Part of solenoid #001424.
7.6220	1	024754	WASHER-solenoid-plain, contact plate. Reverse trans. .169 ID x 7/16 OD. Part of solenoid #001535.
7.6220	2	811912	WASHER-solenoid-plain, terminal stud. starting motor. .33/64 ID x 7/8 OD.
7.6220	4	1923935	WASHER-solenoid-terminal plate attach nut. Nylon. Part of 1118171 solenoid.
7.6230	2	1855490	WASHER-insulating, solenoid terminal stud-starting motor. 17/32 ID x .811 OD.
7.6230	2	1903058	WASHER-insulating, solenoid terminal stud-starting motor. 33/64 ID x 1 3/16 x OD x 3/64 thk. Part of solenoid #1118171.
7.6230	2	1855491	WASHER-insulating, solenoid terminal stud-starting motor. 33/64 ID x 15/16 OD x 3/32 thk.
7.6230	2	1838591	WASHER-insulating, solenoid terminal stud-9/16 x 3/4 w/.182 dia. hole. Part of solenoid #001424.
7.6230	1	816863	WASHER-insulating, solenoid terminal stud-.300 ID x 15/32 OD. Part of solenoid #001424.
7.6230	1	1860389	WASHER-insulating, solenoid terminal stud-contact plate. Reverse trans. .170 ID x 9.16 OD. Part of solenoid #001535.
7.6230	1	1837223	WASHER-insulating, solenoid terminal stud-contact plate screw. Reverse trans. .168 ID x .248 OD. Part of solenoid #001535.
7.6230	1	1905124	WASHER-insulating, solenoid terminal stud-reverse trans. 17/64 ID x .368 OD. Part of solenoid #001535.
7.6230	1	1872459	WASHER-insulating, solenoid terminal stud-reverse trans. .255 ID x 5.8 OD. Part of solenoid #001535.

SWITCHES

7.6240	AR	1454210	SWITCH-misc. lamp-baggage compartment.
7.6240	2	2330516	SWITCH-misc. lamp-drivers lamp & engine compt. Lamp. Repl. 2155292.
7.6240	2	2351703	SWITCH-misc. lamp-reading & general lighting at engine compt. magnetic. Repl. 2257158.
7.6240	1	2330518	SWITCH-misc. Lamp-reading lamp & general lighting or RH switch panel. Repl. 2309264.
7.6240	21	2339695	SWITCH-misc. lamp-individual reading lamps. Toggle type.
7.6240	2	2330516	SWITCH-misc. lamp-sign lamp & marker lamp, on RH switch panel. Repl. 2309263.
7.6240	1	5665950	SWITCH-misc. lamp-directional. Complete.
7.6240	1	5666078	SWITCH-misc. lamp-directional. Incl. cable.
7.6240	1	2242958	SWITCH-misc. lamp-spot lamp.
7.6244	1	2330518	SWITCH-defroster-defroster Hi-Lo on RH switch panel. Repl. 2309264, 2171333.
7.6246	AR	1454210	SWITCH-door-stepwell lamp, on safety door plunger type.
7.6246	1	1454210	SWITCH-door-safety door. Plunger type.
7.6247	1	2330516	SWITCH-drivers fan. Repl. 2155292.

7.6270	1	2330516	SWITCH-head lamp-on RH switch panel. Repl. 2309263.
7.6280	2	1997014	SWITCH-head lamp dimmer-head lamp & fog lamp.
7.6290	2	2351703	SWITCH-heater-blower motor. Repl. 2257158.
7.6290	1	2330518	SWITCH-heater-heating & air condit. control.
7.6320	1	2262488	SWITCH-low air pressure buzzer indicator -incl diaphragm, bshg., spring, grommet, screws & washer.

NOTE: See Group 7.8310 for low air pressure switch grommet.

7.6325	1	1509034	SWITCH-Low oil pressure-stpd. 1509034. Repl. 1508032, 1508391.
7.6335	1	1998723	SWITCH-passenger signal-effective w/chassis #4266.
7.6335	1	2330516	SWITCH-passenger signal-chime switch. Repl. 2155292.
7.6337	1	2330525	SWITCH-reverse solenoid-reverse gear, on LH switch panel. Repl. 2309261, 2270330.
7.6345	1	2330525	SWITCH-stop & diesel control-emergency stop, on LH switch panel. Repl. 2309261, 2270330.
7.6345	1	2330522	SWITCH-stop & diesel control-engine stop-run on LH switch panel. Repl. 2300262, 2216780.
7.6350	2	2253463	SWITCH-starting motor-air condit. starter & choke. Repl. 2283391.
7.6350	1	2330525	SWITCH-starting motor-starting. At engine compt. repl. 2270330.
7.6350	1	2330525	SWITCH-starting motor-on LH switch panel, Repl. 2309261, 2270330.
7.6350	2	2330516	SWITCH-starting motor-engine stop & starter cutout. Repl. 2155292.
7.6360	1	2243944	SWITCH-stop lamp-1/4 tapped hole. Incl. connector, cover, diaphragm, nut, plunger, screws, spring and washers.
7.6389	1	2303072	BRACKET-blower control magnetic switch.
7.6395	1	2300329	BRACKET-engine compartment lamp switch.
7.6401	1	2314742	BRACKET-low air pressure switch.
7.6418	1	2303744	BRACKET-stepwell lamp switch-prior to chassis #810.
7.6420	1	2276077	BUSHING-switch-terminal, low air pressure switch.
7.6433	1	2286342	CONNECTOR-stop lamp switch terminal-
7.6435	1	2247571	COVER-switch-safety door
7.6435	1	5666087	COVER-switch-directional lamp
7.6435	1	5666094	COVER-switch-directional. Housing.
7.6450	1	2286343	COVER-stop lamp switch.
7.6450	1	2286340	DIAPHRAGM-stop lamp switch.
7.6455	1	2276076	DIAPHRAGM-low air pressure switch.
7.6476	1	5947766	FLASHER-directional switch-repl. 5937980.
7.6479	1	5666086	HOUSING-switch-directional lamp. Screw 1/4-20 x 7/8 hex. soc. hd.
7.6505	1	5666082	LEVER-lamp switch-directional lamp
7.6515	AR	508301	NUT-switch.
7.6515	1	2286344	NUT-switch-stop lamp switch diaphragm cover
7.6545	1	5666085	PLATE-misc. switches-directional switch. Detent.
7.6545	1	5666090	PLATE-misc. switches-directional switch operating.
7.6545	1	5666095	PLATE-misc. switches-directional switch canceling.
7.6545	1	2300328	PLATE-misc. switches-name. Eng. compt. switch.
7.6550	1	2286338	PLUNGER-stop lamp switch contact.
7.6565	2	2299512	RIVNUT-switch-directional flasher bracket to plate.
7.6565	6	2301768	RIVNUT-switch-chime signal. To Panel. Prior to chassis #4266.
7.6565	4	2299513	RIVNUT-switch-chime signal to panel. Effective w/chassis #4266.
7.6565	2	2228368	RIVNUT-switch-baggage compt.
7.6566	2	5666091	ROLLER-directional lamp switch-detent.
7.6580	1	2017727	SCREW-stop lamp switch terminal-incl. button.
7.6580	1	2017734	SCREW-stop lamp switch terminal-#10-32 x 13/16.
7.6585	2	5665993	SCREW-switch-directional lamp. Detent plate.
7.6585	2	5665994	SCREW-switch-directional lamp. Attaching.
7.6585	1	5666088	SCREW-switch-directional lamp. Pivot.
7.6585	2	5666166	SCREW-switch-directional lamp. Housing cover.
7.6585	1	602274	SCREW-switch-fog lamp. #6-32 x 5/32 oval hd., brass.
7.6585	1	2276075	SCREW-switch-terminal, low air pressure indicator switch. 1 5/16 in. long.
7.6585	1	2276081	SCREW-switch-terminal, low air pressure indicator switch. #10-32 x 1 9/16.
7.6625	1	5666092	SPRING-switch, misc.-directional. Operating plate.
7.6625	1	2276080	SPRING-switch, misc.-low air pressure indicator switch.
7.6625	1	2286341	SPRING-switch, misc.-return, stop lamp switch plunger.
7.6665	1	2258398	WASHER-switch, misc.-terminal screw. Low air pressure indicator switch. 11/16 OD.
7.6665	2	2258400	WASHER-switch, misc.-clamping terminal Low air pressure indicator switch. 200 ID x 5/8 OD.

7.6665	4	2017735	WASHER-switch, misc.-terminal screw. Low air pressure indicator switch 200 ID x 7/16 OD.
7.6665	1	2276079	WASHER-switch, misc.-terminal screw. Low air pressure indicator switch 5/16 ID x 5/8 OD.
7.6665	AR	2276082	WASHER-switch, misc.-shim. Low air pressure indicator switch .031 thk.
7.6665	AR	2276083	WASHER-switch, misc.-shim. Low air pressure indicator switch .005 thk.
7.6670	6	2017735	WASHER-stop lamp switch terminal-200 ID x 7/16 OD.

HORN AND WIRE

7.6800	1	1999700	HORN-electric. Bolt 1/4-28 x 3/4
7.6800	1	1925409	HORN-air.
7.6805	1	1904882	ARMATURE-horn-electric.
7.6810	1	1904878	BASE-horn-electric, incl. armature, diaphragm, etc.
7.6810	1	1905169	BASE-horn-electric. Less armature, diaphragm etc.
7.6810	1	1925560	BASE-horn-air. Incl. diaphragm etc.
7.6810	1	1925561	BASE-horn-air. Less diaphragm etc.
7.6820	1	1904900	BRACKET-horn-mounting. Lamination. Electric.
7.6820	1	2301891	BRACKET-horn-air. upper.
7.6820	1	2301892	BRACKET-horn-air. lower.
7.6830	1	1842310	BRACKET-horn back shell-electric.
7.6845	2	1904868	BUSHING-horn stud-insulating.
7.6860	1	270343	CABLE-horn-incl. contact.
7.6870	1	258609	CAP-horn button-button.
7.6870	1	265325	CAP-horn button-plate.
7.6887	1	1855618	COIL-horn-electric. Incl. pole.
7.6890	1	1904891	CONDENSER-horn-electric.
7.6895	1	317060	CONNECTOR-air horn-valve.
7.6910	1	5662179	CONNECTOR-horn cable.
7.6920	1	1836358	CONTACT-horn button-electric. Incl. spring.
7.6935	1	1925562	COVER-horn-base. Air.
7.6935	1	2301893	COVER-horn-air.
7.6950	1	1904889	DIAPHRAGM-horn-electric.
7.6950	2	1920256	DIAPHRAGM-horn-air.
7.6965	1	094606	ELBOW-air horn-air line to valve.
7.6985	1	1859675	GASKET-horn back shell-electric.
7.6986	2	1920255	GASKET-horn base cover-air.
7.6990	1	1904885	GASKET-horn diaphragm-electric.
7.6993	1	3711896	GROMMET-air horn valve-line. 1/2 in. repl. 3681088.
7.7000	1	270345	INSULATOR-horn button-spring.
7.7003	1	1841363	INSULATOR-horn-under contact spring. Electric.
7.7003	1	1836364	INSULATOR-horn-above contact spring electric.
7.7003	1	822243	INSULATOR-horn-above contact bracket. Electric.
7.7003	1	1904899	INSULATOR-horn-field stud. 3-1/4 in. long. Electric.
7.7005	1	1904884	LEAD-horn contact to terminal-stud. Electric.
7.7010	AR	2224980	LINE-air horn-3/8 OD., .049 wall, 25 ft. long, copper, CTL.
7.7015	AR	2224546	LOOM-air horn-1/2 ID. 25 ft. long.
7.7020	1	1842708	NUT-adjusting, horn armature-horn base. 3/16-32 hex hd. 1/2 dia. Electric.
7.7025	2	1920262	NUT-horn adjusting screw.
7.7035	6	821204	NUT-horn coil pole-attaching. Horn base 5/16-32 hex hd. 7/16 dia. Electric.
7.7037	1	305321	NUT-horn valve connector.
7.7060	1	1904890	PROJECTOR-horn-electric.
7.7060	1	1925563	PROJECTOR-horn-air. Long.
7.7060	1	1925568	PROJECTOR-horn-air. Short.
7.7070	1	267124	RETAINER-horn button cap-screw #8-32 x 3/8
7.7077	2	2301855	RETAINER-horn screen-electric
7.7088	2	1920254	SCREW-horn adjusting-air.
7.7095	2	1859949	SCREW-horn bracket-mounting. 1/4-28 x 1-3/8 rd. hd. Electric.
7.7100	4	1904887	SCREW-horn projector-attaching. 1/4-28 x 3/4 rd. hd. Electric.
7.7110	1	1859673	SCREW-horn back shell-attaching. 3/16-32 x 13/32 hex. hd. Electric.
7.7115	10	1907064	SCREW-horn base cover-air.
7.7130	1	1904888	SHELL-horn back-electric.
7.7137	1	305322	SLEEVE-horn valve connector.
7.7140	1	1849716	SPACER-horn-under armature spring. Electric.
7.7140	AR	821216	SPACER-horn-above armature spring. Electric.
7.7140	AR	821216	SPACER-horn-above contact bracket.

7.7150	1	270344	SPRING-horn button-contact.
7.7163	1	2301852	STRAP-horn mounting-electric.
7.7165	2	1904869	STUD-horn terminal-electric. #8-32 x 1 Sq. Hd. brass.
7.7185	1	302720	TEE-air horn-line to valve.
7.7190	1	2138547	VALVE-horn operating-air.
7.7205	1	1859674	WASHER-horn back shell-13/64 ID x 7/8 OD. rubber. Electric.
7.7207	5	NPN	WASHER-horn coil pole nut-1/2 OD. Electric. Proc. Loc.
7.7207	1	1905897	WASHER-horn coil pole nut-plain. 5/8 OD. Electric.
7.7209	3	1880781	WASHER-horn contact screw-lock. Electric. .194 ID x 13/32 OD.
7.7210	2	1865880	WASHER-horn diaphragm-1/4 ID x 13/16 OD. Electric.
7.7210	1	1904492	WASHER-horn diaphragm-nut. Electric. .255 ID x 5/8 OD.
7.7210	2	1920257	WASHER-horn diaphragm-air.
7.7223	2	1904886	WASHER-horn terminal stud-insulating. 3/8 OD. Electric.
7.7223	2	1882247	WASHER-horn terminal stud-insulating 1/2 OD. Electric.
7.7223	2	1841611	WASHER-horn terminal stud-insulating 7/16 OD. Electric.

FUSES, JUNCTION PANELS, BUZZER AND RELAY

7.7225	1	2272084	BAR-bus-12 holes. Circuit Breaker.
7.7225	AR	2272093	BAR-bus-2 holes. Circuit Breaker.
7.7225	1	2283383	BAR-bus-2-7/16 in. long.
7.7225	1	2303071	BAR-bus-blower control magnetic switch.
7.7240	2	2400600	BLOCK-junction-body. 3-11/16 x 1-1/16-6 post.
7.7240	2	1998763	BLOCK-junction-head lamp. Repl. 1998763.
7.7240	1	2126435	BLOCK-junction-battery cable. Center.
7.7240	1	2240140	BLOCK-junction-starter cable. 2-3/4 x 1-7/8-post each side.
7.7240	1	2278913	BLOCK-junction-battery. Front. 1-1/2 x 2-5/8 1 terminal.
7.7240K	1	5291294	BODY-fuse holder-speedometer. Part of engine compt. harness.
7.7243	1	2351512	BRACKET-circuit breaker-master. Repl. 2299259
7.7265	2	2100291	BRACKET-resistor-stop lamp.
7.7275	2	2263224	BREAKER-circuit-8 amp.-stpd 11-P-8G.
7.7275	AR	2271190	BREAKER-circuit-30 amp.-stpd 1110P-30G.
7.7275	15	2259586	BREAKER-circuit-20 amp.-stpd 1110P-20G.
7.7275	1	2350867	BREAKER-circuit-200 amp. Master. Stpd PGM-200. Repl. 2301718.
7.7275	1	2301785	BREAKER-circuit-35 amp. Heating blower.
7.7280	1	2247499	BUZZER-alarm-tell-tale. Repl. 2283376.
7.7284	1	2276100	CARRIER-circuit breaker-under voltage regulator. 9-7/16 in. long.
7.7284	3	2276594	CARRIER-circuit breaker-8-7/16 in. long.
7.7290E	1	5290793	CONTACT-fuse holder-speedometer. Part of engine compt. harness.
7.7330	1	2299282	PANEL-junction-7-15/16 x 16-7/8-91 post.
7.7330	1	2298701	PANEL-junction-4 x 13-elect compt.
7.7330	2	2155369	PANEL-junction-general lighting.
7.7340	1	1116818	RELAY-horn.
7.7340	2	1116852	RELAY-reverse & starter.
7.7340	1	1850547	RELAY-stop lamp.
7.7340	1	1116852	RELAY-master.
7.7340	1	1116797	RELAY-defroster motor.
7.7343	1	2299536	RECTIFIER-tell tale buzzer. Prior to chassis 1566.
7.7343	1	1116912	RECTIFIER-alarm signal buzzer. Eff. w/chassis 1566.
7.7345	1	2294434	RESISTOR-stop lamp
7.7345	2	1516846	RESISTOR-or adapter. Oil & temp. gauge.
7.7346	6	2248137	RIVNUT-circuit breaker bracket-to plate.
7.7347	AR	2299511	RIVNUT-junction blocks & panels-resistor bracket & buzzer to plate.
7.7347	AR	2226070	RIVNUT-junction blocks & panels-rectifier bracket & junction panel to plate.
7.7347	AR	2248137	RIVNUT-junction blocks & panels-master & horn relay to plate.
7.7349	AR	R31117	SHIELD-battery junction block-rubber. 2 ft. reqd.
7.7353M	1	5295945	SPRING-fuse holder contact-speedometer. Part of engine compt. harness.

INSIDE SIGNAL SYSTEM

7.7370	22	2300330	BRACKET-passenger signal buzzer cord-guide.
7.7375	1	2164961	BUZZER-passenger signal.

NOTE: Switch shown in group 7.6335.

7.7380	4	2241029	CLIP-passenger signal cord.
7.7390	AR	2416017	CORD-passenger signal buzzer.
7.7400	2	2248137	RIVNUT-passenger signal buzzer.

SOLENOID VALVE

7.7450	1	2316962	VALVE-solenoid-engine stop. Incl. plunger, spring, sleeve, seals, adapter, nut & connector. Repl. 2297960.
7.7455	1	2319759	ADAPTER-solenoid valve-engine stop. 11/16 OD Hex hd.
7.7465	1	2319760	CONNECTOR-solenoid valve-engine stop. 1 in. sq. w/5/8-24 thd.
7.7470	1	2319757	NUT-solenoid-engine stop. 1/2-2D thd., 11/16 OD. Hex hd. brass.
7.7475	1	2316970	PLUNGER-solenoid valve.
7.7480	1	2303949	SEAL-solenoid valve-adapter. .428 ID x .5600 OD.
7.7480	1	2303948	SEAL-solenoid valve-sleeve flange .775 ID x .942 OD.
7.7485	1	2301482	SLEEVE-solenoid valve-engine stop
7.7490	1	2301483	SPRING-solenoid valve-plunger return. Engine stop.

BATTERY

7.7700	2		BATTERY-Delco Remy 12 V-27 plate. Stpd 8-D-R205 WC 3. Charge & filled. For export dry. Early type. Procure locally. Repl. battery stpd. 8-D-27-WC-3.
7.7700	2	NPN	BATTERY-Delco Remy. 12V-27 Plate. Stpd. 8-D-R205-DC3. Charged & filled. For export dry. Procure locally.
7.8010	4	2258831	ROD-battery hold down-tee. Incl. stud.
7.8010	4	2065668	ROD-battery hold down-less stud.
7.8090	4	665437	STUD-battery hold down.

BATTERY WIRING

7.8150	1	5298557	CABLE-battery to starting motor-battery junction to starter. 66-1/8 in. long.
7.8150	1	5298911	CABLE-battery to starting motor -battery junction to starter junction. 135 in. long.
7.8155	1	2141231	BRACKET-battery cable-starter cable.
7.8156	1	2257823	BUSHING-battery cable & ground strap-starter cable. Rubber 13/16 ID x 1-1/2 OD.
7.8160	2	2301257	CLAMP-battery cable -1/2 in. wide.
7.8160	11	2301878	CLAMP-battery cable-5/8 in. wide.
7.8163	1	2301281	CONDUIT-battery cable-1.163 OD x 66 in. long.
7.8164	1	2131739	CONNECTOR-battery cable conduit-1 5/8 in. long.
7.8166	1	790945	GROMMET-battery cable-3/4 ID x 1-1/4 OD x 3/8 in thick.
7.8166	6	3711896	GROMMET-battery cable-7/32 ID x 1" OD x .038 thk, cut & grooved.
7.8166	2	118833	GROMMET-battery cable-5/8 in.
7.8166	1	2089255	GROMMET-battery cable-conduit. 1-7/16 ID x 1-13/16 OD x 7/16 in. thick.
7.8168	1	2300996	INSULINER-battery cable conduit-1 in. OD x 7/8 in. long x .025 wall.
7.8169	1	2302292	SHIELD-battery cable.
7.8175	1	2138283	STRAP-engine ground-30 in. long.
7.8176	1	5298578	STRAP-miscellaneous ground-ground rail to engine compt. bulkhead. 9 in. long.
7.8176	1	5289554	STRAP-miscellaneous ground-regulator to generator. 20-1/4 in. long.

WIRING

7.8177	2	5299608	CABLE-miscellaneous-Michigan marker lamp ground. 7 in. long.
7.8177	2	5298579	CABLE-miscellaneous-ground rail to bulkhead ground. 15-1/2 in. long.
7.8177	1	5299609	CABLE-miscellaneous-fuel tank bulkhead to seat rail ground. 18-1/2 in. long.
7.8177	2	2966170	CABLE-miscellaneous-battery positive to ground. 12 in. long. Repl. 5298581.
7.8177	1	5298576	CABLE-miscellaneous-front battery junction to control panel. 108 in. long.
7.8177	1	5298575	CABLE-miscellaneous-rear battery junction to battery compartment. 47 in. long.
7.8177	1	5298583	CABLE-miscellaneous-battery junction to control panel. 27 in. long.
7.8177	2	5298580	CABLE-miscellaneous-battery negative to junction. Approx. 16-1/2 in. long.
7.8177	1	1909848	CABLE-miscellaneous-solenoid switch to motor connector. 10-1/4 in. long.
7.8177	1	5298582	CABLE-miscellaneous-battery junction to air condit. compt. 250 in. long.
7.8177	1	5298584	CABLE-miscellaneous-drivers control panel junction to bus bar. 7-1/2 in. long.

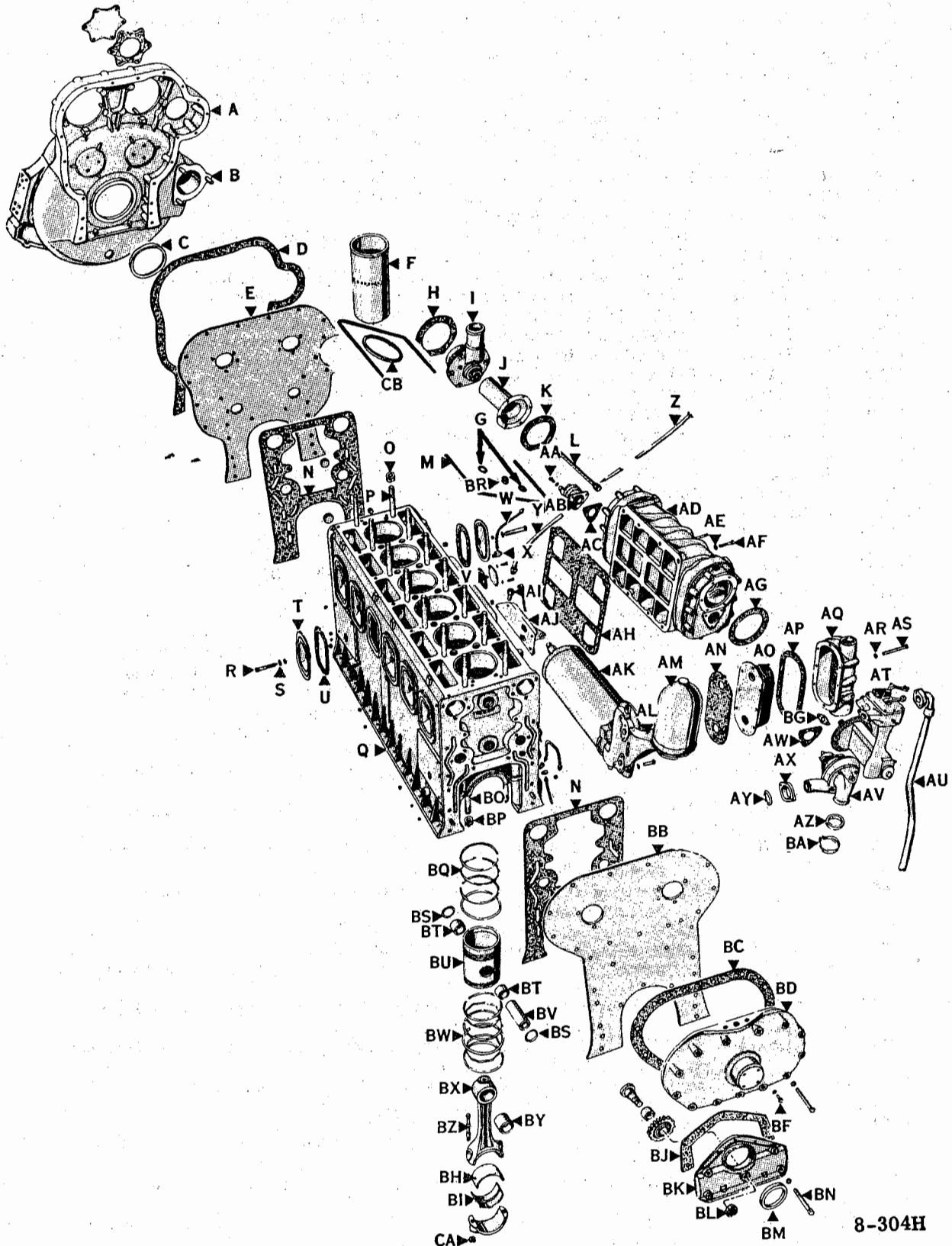
7.8177	1	5298555	CABLE-miscellaneous-master circuit breaker to regulator. 6-7/8 in. long.
7.8177	1	5298556	CABLE-miscellaneous-master circuit breaker to junction. 5-7/8 in. long.
7.8200	1	5298560	HARNESS-wiring, chassis, L. H.
7.8200	1	5298561	HARNESS-wiring, chassis, Air Cond.
7.8200	1	5298574	HARNESS-wiring, dash.
7.8200	1	5298567	HARNESS-wiring-general lighting-RH.
7.8200	1	5298565	HARNESS-wiring-general lighting-LH.
7.8200	1	5298566	HARNESS-wiring-reading lamp-RH.
7.8200	1	5298564	HARNESS-wiring-reading lamp-LH.
7.8200	1	5298563	HARNESS-wiring-interior lamp to rear compartment.
7.8200	1	5298909	HARNESS-wiring-rear junction to light rail-RH
7.8200	1	5298910	HARNESS-wiring-rear junction to light rail-LH.
7.8200	1	5298572	HARNESS-wiring-drivers control panel. Prior to 1566.
7.8200	1	2963962	HARNESS-wiring-drivers control panel. Eff. w/chassis #1566. W/connector & contact.
7.8200	1	5298573	HARNESS-wiring-drivers control panel to gauge panel.
7.8200	1	5298570	HARNESS-wiring-body-front. Incl. marker lamp socket.
7.8200	1	2969389	HARNESS-wiring-headlamp.
7.8200	1	5298568	HARNESS-wiring-electrical compartment
7.8200	1	5298569	HARNESS-wiring-electrical compartment. Feed.
7.8200	1	5298554	HARNESS-wiring-regulator to generator
7.8200	1	1582540	HARNESS-wiring-instrument cluster-RH. Incl. lamp socket & receptacle.
7.8200	1	1582539	HARNESS-wiring-instrument cluster-LH. Incl. lamp socket & receptacle.
7.8200	1	5298553	HARNESS-wiring-engine compt. Incl. socket, plugs, receptacles, boots, clamps, fuse, spring contact & body.
7.8200	1	5298558	HARNESS-wiring-engine compartment closure door. Incl. socket, plug, clamp & washer.
7.8200	1	5298562	HARNESS-wiring-rear marker lamp. Incl. lamp socket.
7.8200	1	5298585	HARNESS-wiring-blower.
7.8200	1	5298559	HARNESS-wiring-emergency stop & start solenoid. Incl. plug & clamp.
7.8200	1	2315570	HARNESS-wiring-chimes signal. Incl. terminals.
7.8230	2	5298577	WIRE-jumper-baggage compt. lamp.
7.8230	4	5298587	WIRE-jumper-body ground.
7.8230	2	5299046	WIRE-jumper-blower magnetic switch to circuit breaker.
7.8230	2	2204439	WIRE-jumper-blower magnetic switch ground.
7.8230	1	2305782	WIRE-jumper-compartment lamp switch.
7.8230	1	2204439	WIRE-jumper-jumper starter magnetic switch ground.
7.8230	1	2204439	WIRE-jumper-fuel pump relay switch ground.

WIRING CONNECTORS

7.8253	1	2141231	BRACKET-wiring harness-air conditioning harness.
7.8253	1	2300078	BRACKET-wiring harness-eng. compt. harness plug.
7.8254J	1	5297587	BOOT-wiring receptacle-w/2 holes .145 & 2 holes .230., 1-1/32 in. long. Part of engine compt. harness.
7.8254J	1	5297588	BOOT-wiring receptacle-w/4 holes .120 & 1 hole .145., 11/16 in. long. Part of engine compt. harness.
7.8275	AR	R35543	CHANNEL-wiring harness-gauge panel-at w/s ledge. 20 in. reqd.
7.8280	2	5297563	CLAMP-wiring harness-part of emergency stop & starter cable and engine compt. closure door harness.
7.8280	1	5297561	CLAMP-wiring harness-engine stop solenoid. 25/32 OD x 5/8-24 Thd. Part of engine compt. harness.
7.8280	1	5297562	CLAMP-wiring harness-engine reverse solenoid 29/32 OD x 3/4-20 thd. Part of engine compt. harness.
7.8290	1	675796	CLIP-wiring-junction panel to drivers control panel. Bolt hole 11/32 ID.
7.8290	AR	120521	CLIP-wiring-1/4 closed. 1/4 bolt.
7.8290	AR	120523	CLIP-wiring-3/8 closed. 1/4 bolt.
7.8290	AR	120524	CLIP-wiring-7/16 closed. 1/4 bolt.
7.8290	AR	120525	CLIP-wiring-1/2 closed. 1/4 bolt.
7.8290	AR	120527	CLIP-wiring-5/8 closed. 1/4 bolt.
7.8290	AR	120528	CLIP-wiring-3/4 closed. 1/4 bolt.
7.8290	AR	125921	CLIP-wiring-5/8 closed. 5/16 bolt.
7.8290	6	2281755	CLIP-wiring-baggage compt. lamp. 1/2 in. wide, 3/8 opening, 9/32 bolt hole.
7.8290	3	2281754	CLIP-wiring-baggage compt. lamp. 1/2 in. wide, 1/4 opening, 9/32 bolthole.
7.8290	1	2281752	CLIP-wiring-engine harness. 3/4 in. wide, 1/4 opening, 13/32 bolt hole. Repl. 2281749.

7.8290	AR	2143948	CLIP-wiring-reading lamp. 1/2 in. wide, 7/16 opening, 11/32 bolt hole.
7.8290	AR	2295142	CLIP-wiring-rear closure door & speedometer. 1/2 in. wide, 1/2 opening.
7.8290	3	2301258	CLIP-wiring-1/2 in. wide, 13/64 bolt hole.
7.8290	AR	2030932	CLIP-wiring-1/2 in. wide, 13/64 bolt hole, 1-9/32 in. long.
7.8290	6	2237557	CLIP-wiring-5/8 in. wide, 1 in. opening, .199 bolt hole.
7.8290	8	2301258	CLIP-wiring-on rear closure door. 1/2 in. wide, 13/64 bolt hole.
7.8290	AR	2301257	CLIP-wiring-engine compt. 1/2 in. wide, 3/4 opening, 9/32 bolt hole.
7.8290	AR	2295142	CLIP-wiring-engine compt. 1/2 in. wide, 1/2 opening, 9/32 bolt hole.
7.8290	AR	2291242	CLIP-wiring-engine compt. 1/2 in. wide, 5/8 opening, 9/32 bolt hole.
7.8290	AR	2281754	CLIP-wiring-engine compt. 1/2 in. wide, 1/4 opening, 9/32 bolt hole.
7.8290	AR	2281755	CLIP-wiring-engine. Compt. 1/2 in. wide, 3/8 in. opening, 9/32 bolt hole.
7.8290	4	2291244	CLIP-wiring-stop & tail lamp.
7.8290	AR	2243728	CLIP-wiring-1/2 in. wide, 9/32 bolt hole. Approx. 1-3/8 in. long.
7.8290	2	2416805	CLIP-wiring-at front stepwell.
7.8290	3	2250666	CLIP-wiring-destination sign. 7/16 x 11/16 x 1/2. Spring & yoke.
7.8300	2	2303772	CONDUIT-wiring-general lighting wire. 23-1/2 in. long.
7.8305	AR	3114169	CONNECTOR-wiring-terminal. 3-1/2 in. long, 3/8 OD.
7.8305	1	5291640	CONNECTOR-wiring-w/bracket. Part of drivers control panel harness.
7.8305M	3	5291641	CONTACT-wiring-part of drivers control panel harness.
7.8310	2	117959	GROMMET-wiring-eng. compt. 5/16.
7.8310	2	127979	GROMMET-wiring-blower. 3/4 ID x 1-3/8 OD.
7.8310	2	118833	GROMMET-wiring-head lamp & elec. compt. 5/8.
7.8310	2	2261791	GROMMET-wiring-LH chassis. 13/16 ID x 1-9/16 OD.
7.8310	2	2302278	GROMMET-wiring-LH chassis. 3/4 ID x 1-3/8 OD.
7.8310	1	2305570	GROMMET-wiring-LH chassis. 5/8 ID x 1-9/16 OD.
7.8310	1	2100525	GROMMET-wiring-LH chassis. 1-1/32 ID x 1-9/16 OD.
7.8310	4	2305569	GROMMET-wiring-LH chassis. 5/8 ID x 1-3/8 OD.
7.8310	1	2225101	GROMMET-wiring-LH chassis. 1-1/8 ID x 1-7/8 OD.
7.8310	4	2100525	GROMMET-wiring-air conduit. 1-1/32 ID x 1-9/16 OD.
7.8310	3	2261791	GROMMET-wiring-air conduit. 13/16 ID x 1-9/16 OD.
7.8310	1	2225101	GROMMET-wiring-air conduit. 1-1/8 ID x 1-7/8 OD.
7.8310	2	2305570	GROMMET-wiring-air conduit. 5/8 ID x 1-9/16 OD.
7.8310	2	2209736	GROMMET-wiring-emergency door switch. 7/16 ID x 3/4 OD.
7.8310	AR	2302278	GROMMET-wiring-elec. compt. 3/4 ID x 1-3/8 OD x 3/8 thk. Gr., rubber.
7.8310	AR	2287831	GROMMET-wiring-elec. compt. 5/8 ID x 1-7/8 OD. Prior to chassis 2366.
7.8310	AR	2317331	GROMMET-wiring-elect. compt. 1-1/8 OD at one end, 1-7/8 OD at other end, 1-1/2 in. long w/1/2 dia. hole. Sponge rubber.
7.8310	AR	2127301	GROMMET-wiring-1-23/32 ID x 2-1/2 OD x 17/32 in. thick.
7.8310	1	2252863	GROMMET-wiring-low air pressure indicator switch.
7.8326	1	5297514	PLUG-wiring-4 prongs. Part of emergency stop & starter cable 4 holes, 1-7/8 in. long
7.8326	1	5297521	PLUG-wiring-7/8-20 x 1-7/16. Female. W/5 holes. Part of engine compt. closure door harness.
7.8326	1	5297567	PLUG-wiring-engine stop solenoid. Female w/2 holes. 1-5/16 in. long. Part of engine compt. harness.
7.8326	1	5297566	PLUG-wiring-reverse solenoid, Female. W/4 holes. 1-7/16 in. long. Part of engine compt. harness.
7.8327	AR	2224549	LOOM-wiring harness-3/4 ID. 25 ft. long-CTL
7.8327	AR	2224545	LOOM-wiring harness-3/8 ID. 25 ft. long-CTL.
7.8328K	2	5297517	RECEPTACLE-wiring harness-male type w/8 prongs. Part of instrument cluster harness.
7.8328K	1	5297516	RECEPTACLE-wiring harness-engine. Male type w/4 prongs. 1-11/32 in. long. Part of engine compt. harness.
7.8328K	1	5297515	RECEPTACLE-wiring harness-engine. Male type w/5 prongs 29/32 in. long. Part of engine compt. harness.
7.8329	AR	2287227	RETAINER-wiring-elect compt. grommet incl. brass eyelets.
7.8332	1	2226070	RIVNUT-wiring harness. Eff. w/chassis 1566
7.8350	1	2300031	SHIELD-wiring terminal-eng. compt. harness plug.
7.8390	1	2241091	TERMINAL-wiring-screw hole .145 ID., .921 long eye type. Part of chimes signal harness.
7.8390	2	2241093	TERMINAL-wiring-screw hole .145 ID, .890 long eye type. Part of chimes signal harness.
7.8390	1	2241095	TERMINAL-wiring-screw hole .197 ID. eye type. Part of chime signal harness.
7.8415	2	5270059	WASHER-wiring harness-w/brass ferrule. License plate lamp socket. Part of rear closure door harness.

ENGINE



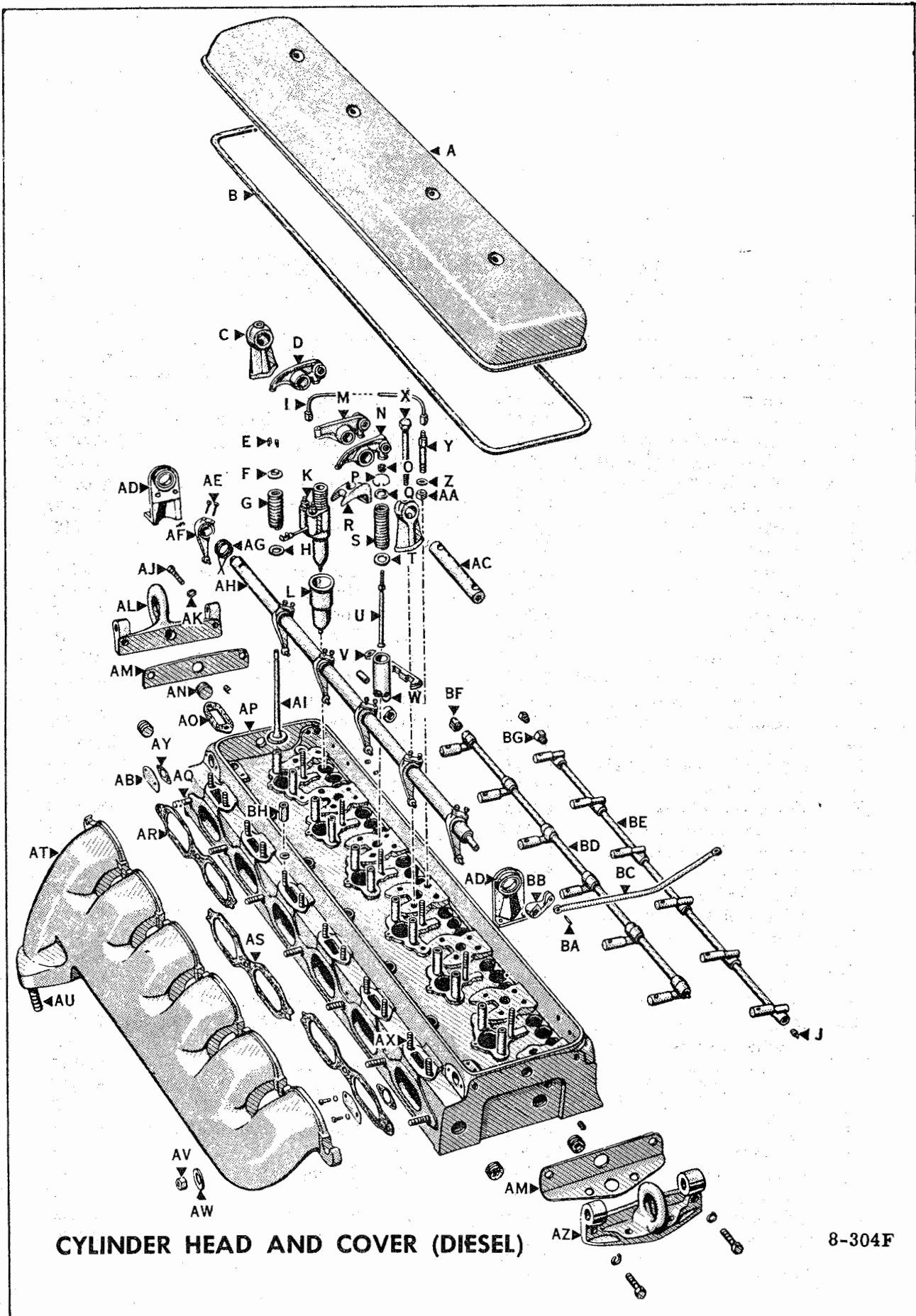
CYLINDER BLOCK (DIESEL)

8-304H

KEY TO CYLINDER BLOCK (DIESEL)

Description		Group No.	Key		Description	Group No.
A	Housing	8.2060	AO	Cooler	8.4370	
B	Stud	7.2710	AP	Gasket—to cooler	8.4430	
C	Seal—rear (hsg. end)	8.1670	AQ	Housing	8.4450	
D	Gasket—rear (hsg. end)	8.2030	AR	Bolt	8.4400	
E	Plate—rear (hsg. end)	8.0500	AS	Washer	20.0820	
F	Sleeve (Std.)	8.0530	AT	Governor	12.5120	
G	Gasket	8.0473	AU	Pipe	8.3290	
H	Gasket	8.2590	AV	Pump	6.2080	
I	Support	8.2840	AW	Gasket - to blower	6.2180	
J	Cover	8.2570	AX	Flange	6.2170	
K	Gasket	8.2600	AY	Seal	6.1920	
L	Shaft	8.2790	AZ	Seal	6.1910	
M	Ring—head to block	8.0515	BA	Clamp (2-3/4 dia.)	20.0150	
N	Gasket—front (at fan end)	8.0460	BB	Plate—front (fan end)	8.0500	
O	Nut—head to block stud	8.0655	BC	Gasket	8.1310	
P	Stud (5/8" 11-18 x 6-3/8")	8.0680	BD	Cover	8.1300	
Q	Block	8.0400	BE	Bolt	20.0050	
R	Bolt (3/8"-16 x 2-9/32")	8.0430	BF	Bolt	20.0050	
S	Gasket (3/8")	20.0350	BG	Gasket	12.5300	
T	Cover—hand hole	8.0450	BH	Bearing (Upper)	8.1850	
U	Gasket—hand hole cover	8.0470	BI	Bearing (Lower)	8.1850	
V	Cover—Water hole	8.0450	BJ	Gasket	8.1550	
W	Line (1/4 O.D.)	8.4515	BK	Cover	8.1530	
X	Elbow—blower drive line	8.4660	BL	Nut	20.0510	
Y	Tube—oil level indicator	8.3430	BM	Seal—front (fan end)	8.1670	
Z	Indicator	8.3380	BN	Bolt	8.1490	
AA	Bolt	12.1640	BO	Bolt	8.1780	
AB	Pump	12.1610	BP	Nut	8.1810	
AC	Gasket	12.1690	BQ	Ring—compression	8.1940	
AD	Blower	8.2390	BR	Ring—top & end water hole	8.0515	
AE	Washer (2-9/64" I.D. x 13/16" O.D.)	8.2860	BS	Retainer	8.1960	
AF	Bolt (7/16" 14 x 2")	20.0050	BT	Bushing	8.1925	
AG	Gasket	12.5320	BU	Piston	8.1920	
AH	Gasket	8.2620	BV	Pin	8.1930	
AI	Bolt (3/8"-16 x 7/8")	20.0050	BW	Ring—oil (incl. expander)	8.1940	
AJ	Bracket—mtg.	8.4000	BX	Rod	8.1840	
AK	Housing	8.4180	BY	Bushing	8.1880	
AL	Adapter	8.4380	BZ	Bolt	8.1870	
AM	Housing	8.4190	CA	Nut	8.1900	
AN	Gasket—to adapter	8.4410	CB	Insert	8.0485	

ENGINE



CYLINDER HEAD AND COVER (DIESEL)

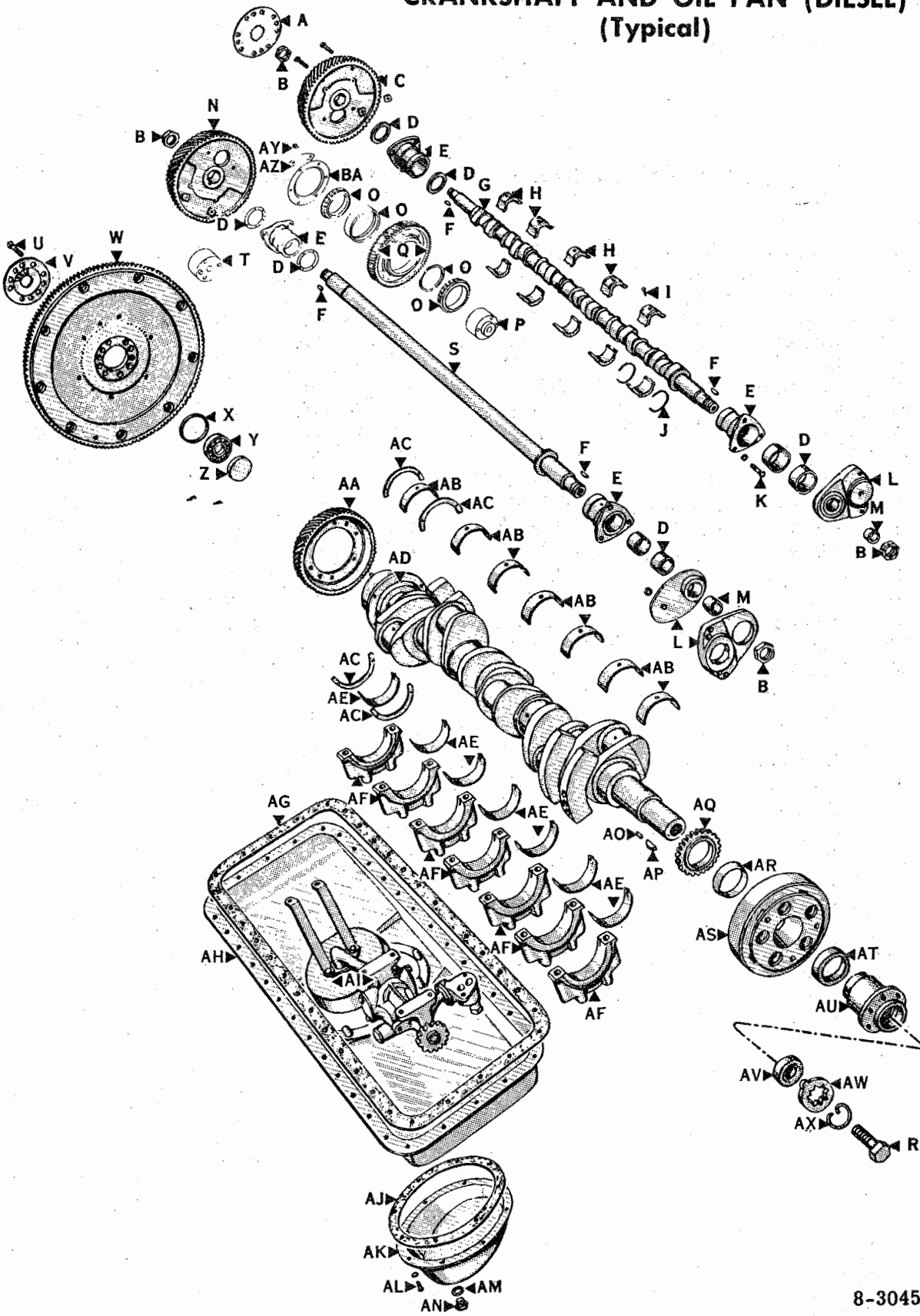
8-304F

KEY TO CYLINDER HEAD AND COVER (DIESEL)

Key	Description	Group No.	Key	Description	Group No.
A	Cover	8.0620	AF	Lever	12.6260
B	Gasket	8.0630	AG	Spring	12.6390
C	Bracket	8.0890	AH	Tube	12.6460
D	Arm—R.H.	8.0850	AI	Valve (incl. "E")	8.0700
E	Key	8.0760	AJ	Bolt (7/16"-14 x 1-1/2")	20.0050
F	Cap	8.0740	AK	Washer (7/16" med.)	20.0820
G	Spring	8.0820	AL	Bracket	8.0100
H	Seat	8.0800	AM	Gasket	8.0170
I	Line—injector to manifold	12.0420	AN	Plug	8.0660
J	Plug (1/4-18 steel)	20.0630	AO	Gasket—to engine	6.1710
K	Injector	12.6120	AP	Head	8.0570
L	Tube	12.6470	AQ	Stud (7/16"-14-20 x 2-1/8")	8.5110
M	Arm	8.0840	AR	Gasket—front & rear	8.4960
N	Arm—L.H.	8.0850	AS	Gasket—interm. (6-71)	8.4960
O	Nut	8.0990	AT	Manifold	8.4880
P	Retainer	8.1050	AU	Stud (5/8"-11-18 x 3-1/16")	8.5110
Q	Seat—upper	8.1110	AV	Nut (7/16-20)	20.0480
R	Clamp	12.6180	AW	Washer	8.5150
S	Spring	8.1130	AX	Stud (3/8-16"-24 x 1-1/16")	6.1960
T	Seat—lower	8.1110	AY	Gasket	12.5300
U	Rod	8.1070	AZ	Bracket	8.0100
V	Guide	8.0960	BA	Pin	12.5430
W	Follower	8.0930	BB	Lever	12.6250
X	Bolt	8.0880	BC	Link	12.5410
Y	Connector	12.0510	BD	Manifold—supply, lower	12.0610
Z	Washer	12.0800	BE	Manifold—drain, upper	12.0610
AA	Nut	12.0620	BF	Elbow—3/8 tubing, 1/4 pipe thrd. 90°	N.S.
AB	Cover	12.5250	BG	Elbow—restricted	12.0530
AC	Shaft	8.1120	BH	Nut	6.1835
AD	Bracket	12.6160			
AE	Screw	12.6350			

ENGINE

CRANKSHAFT AND OIL PAN (DIESEL)
(Typical)



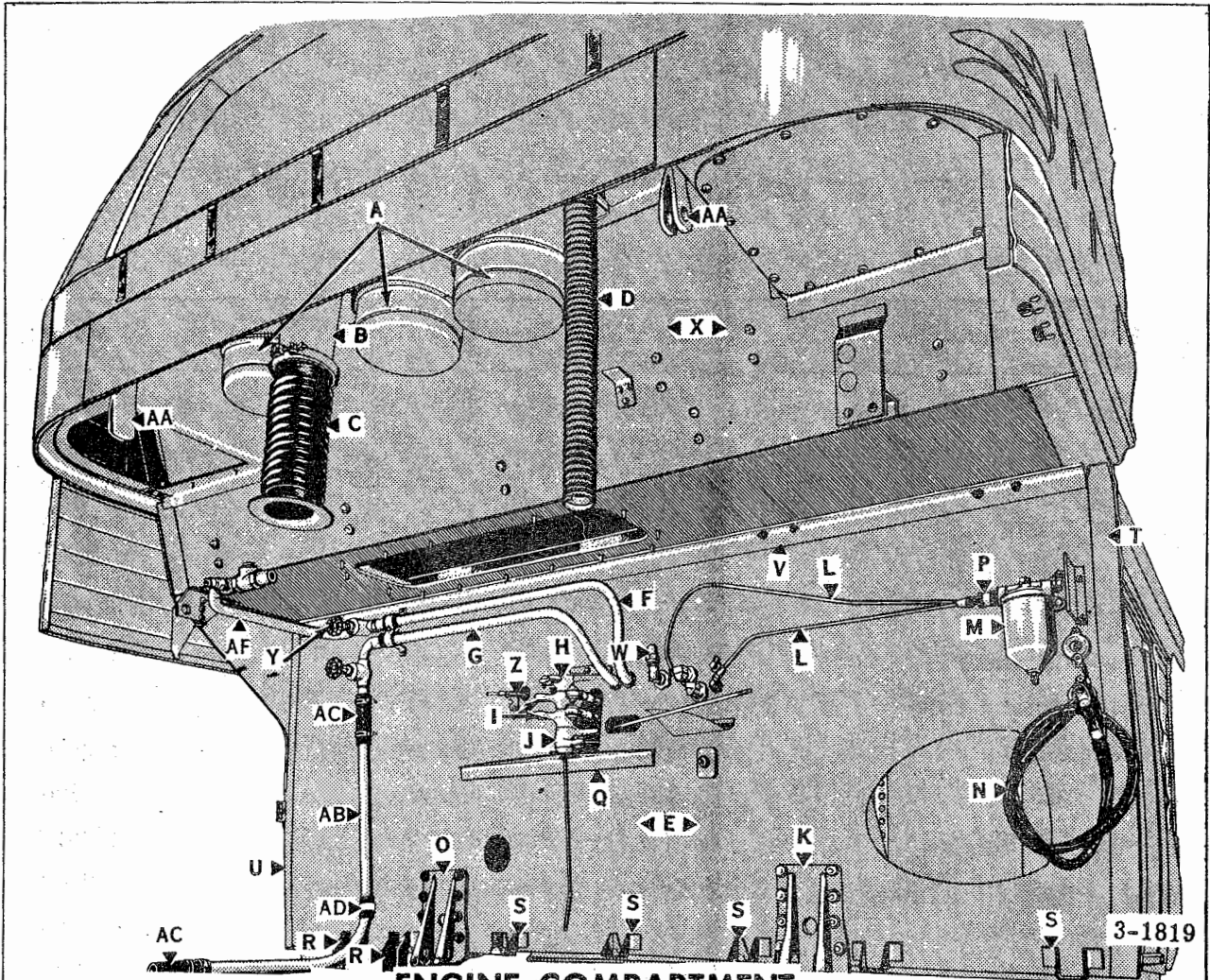
8-3045

KEY TO CRANKSHAFT AND OIL PAN (DIESEL)

(Typical)

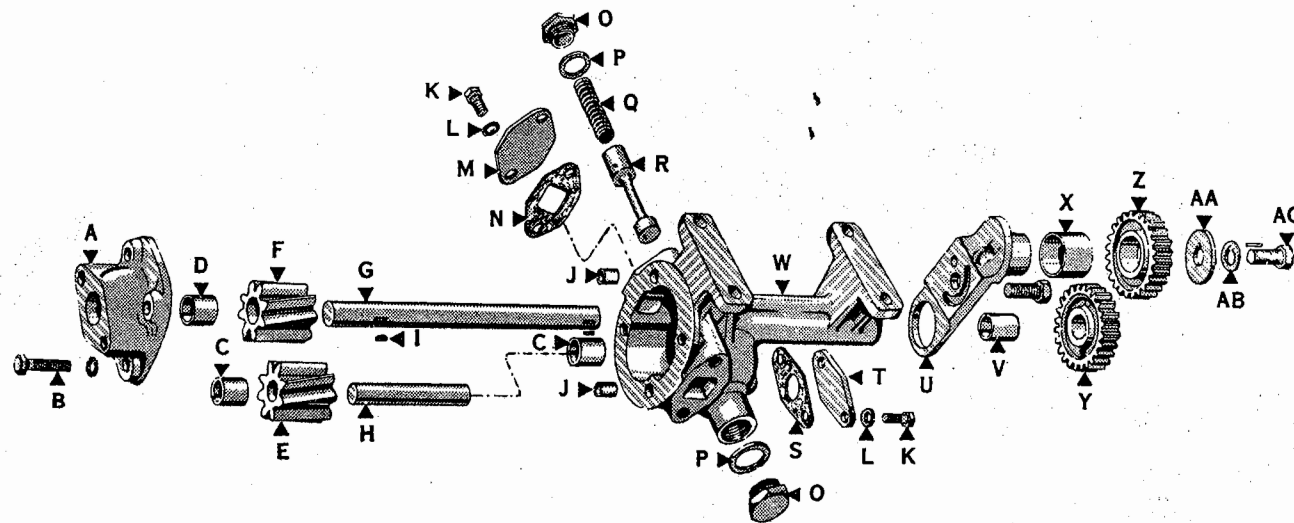
Key	Description	Group No.	Key	Description	Group No.
A	Retainer	8. 2330	AB	Bearing (Upper)	8. 1760
B	Nut	8. 2290	AC	Washer	8. 1830
C	Gear	8. 2120	AD	Crankshaft	8. 1450
D	Washer	8. 1430	AE	Bearing (Lower)	8. 1760
E	Bearing	8. 1220	AF	Cap	8. 1790
F	Key	8. 2260	AG	Gasket	8. 2930
G	Camshaft	8. 1200	AH	Pan	8. 2900
H	Bearing Set	8. 1205	AI	Pump	8. 3440
I	Bolt	8. 1270	AJ	Gasket	8. 2950
J	Ring	8. 1380	AK	Sump	8. 2980
K	Bolt	8. 1250	AL	Bolt	8. 2910
L	Weight	8. 1440	AM	Gasket	8. 2940
M	Bushing	8. 1280	AN	Plug	8. 2970
N	Gear	8. 2110	AO	Key - on crankshaft	8. 3705
O	Bearing	8. 2150	AP	Key (3/8" x 1-1/4")	20. 0380
P	Hub	8. 2250	AQ	Gear - on crankshaft	8. 3690
Q	Gear	8. 2140	AR	Cone - rear	8. 1520
R	Bolt	6. 2495	AS	Damper	8. 1540
S	Shaft Assy.	8. 1390	AT	Cone - front	8. 1520
T	Spacer	8. 2360	AU	Hub	6. 2530
U	Bolt	8. 2000	AV	Washer	6. 2737
V	Retainer	5. 0352	AW	Plate	6. 2605
W	Flywheel	8. 1980	AX	Retainer	6. 2625
X	Gasket	5. 0282	AY	Bolt (5/16-24 x 1/2)	8. 2180
Y	Bearing	5. 0200	AZ	Lock	8. 2280
Z	Baffle	5. 0220	BA	Retainer	8. 2350
AA	Gear	8. 2130			

ENGINE



**ENGINE COMPARTMENT
(W/O Engine)**

Key	Description	Group No.	Key	Description	Group No.
A	Cleaner	12. 7200	R	Bracket - dust shield	
B	Tube	12. 7780		eye bolt (3-3/4 high)	25. 4318
C	Hose	12. 7450	S	Bracket - dust shield	
D	Hose	7. 3353		eye bolt (2-1/8 high)	25. 4318
E	Bulkhead	25. 4305	T	Post - R. H.	25. 2105
F	Pipe - heater supply	25. 6970	U	Post - L. H.	25. 2105
G	Pipe - heater return	25. 6970	V	Angle - upper (102" long, CTL)	25. 4310
H	Lever - bellcrank, clutch	5. 0620	W	Dome - air	12. 0518
I	Lever - bellcrank, trans.	17. 3050	X	Panel - lower	25. 5970
J	Lever - bellcrank, parking brake	4. 7130	Y	Valve - shut-off	25. 7615
K	Bracket - R. H. (Engine cradle-at blkhd.)	8. 0095	Z	Conduit	8. 5345
L	Lines - fuel (3/8 OD cop.)	12. 0420	AA	Bracket - upper	8. 0110
M	Filter - fuel (On blkhd.)	12. 0810	AB	Pipe - outlet elbow to shut-off valve (Return)	25. 6970
N	Harness - wiring, gen.	7. 8200	AC	Hose (9-7/8" long)	25. 7200
O	Bracket - L. H. (Engine cradle-at blkhd.)	8. 0095	AD	Clip - return pipe (066108)	
P	Valve - shut-off (At blkhd.)	12. 0780	AE	Rod - parking brakes (Inter.)	4. 7260
Q	Bracket - bellcrank	25. 4318	AF	Pipe (Outlet manifold to shut off valve)	25. 6970



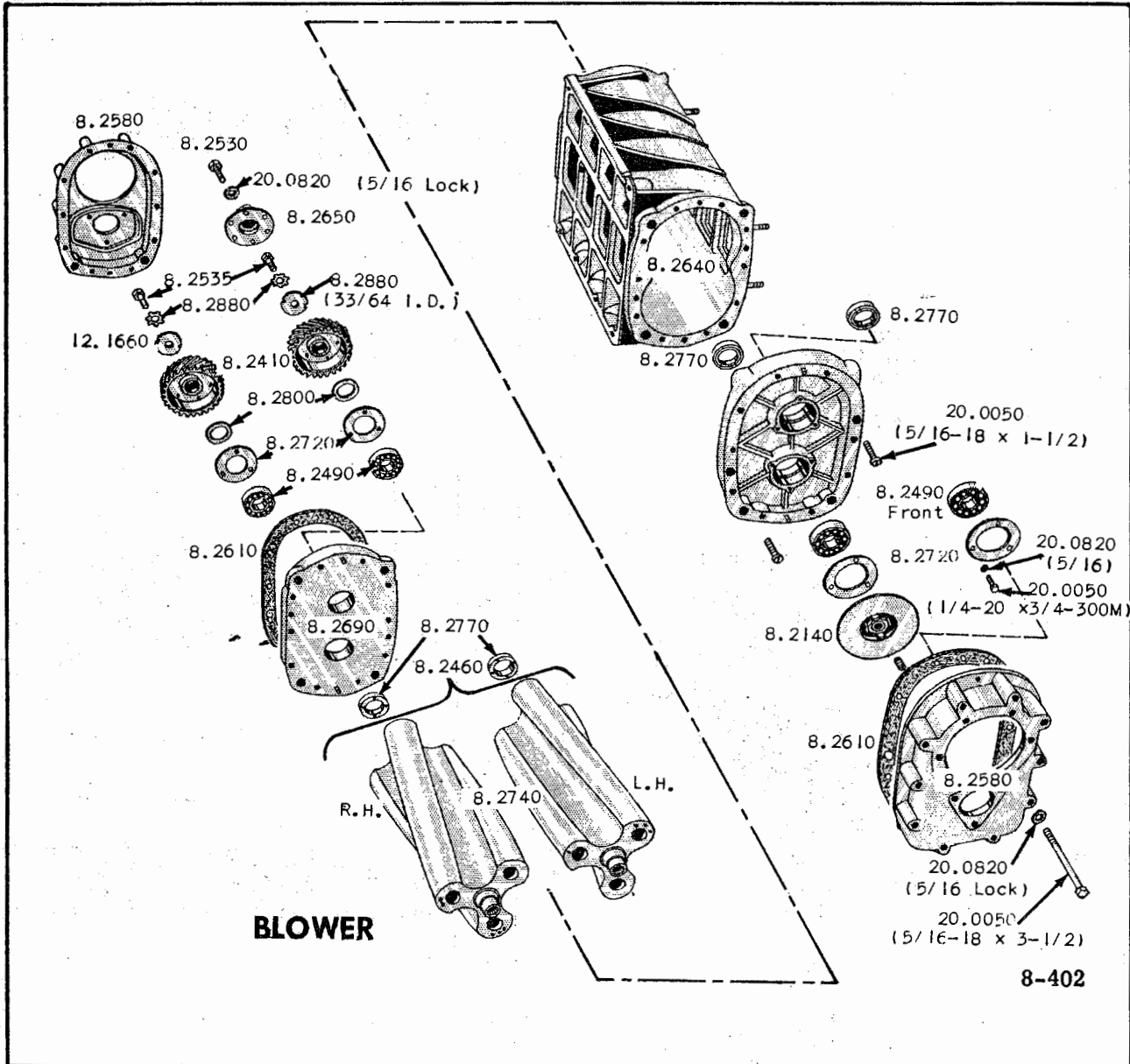
8-21C

OIL PUMP

Key	Description	Group No.
A	Cover—end	8.3590
B	Bolt	8.3490
C	Bushing	8.3560
D	Bushing	8.3550
E	Gear (Driven)	8.3680
F	Gear (Drive)	8.3680
G	Shaft (Drive)	8.3800
H	Shaft (Driven)	8.3810
I	Key	8.3705
J	Pin	8.3720
K	Bolt (5/16—18 x 3/4)	20.0060
L	Washer (5/16 lock)	20.0820
M	Cover—side	8.3590
N	Gasket	8.3650
O	Plug—on pump	8.3750

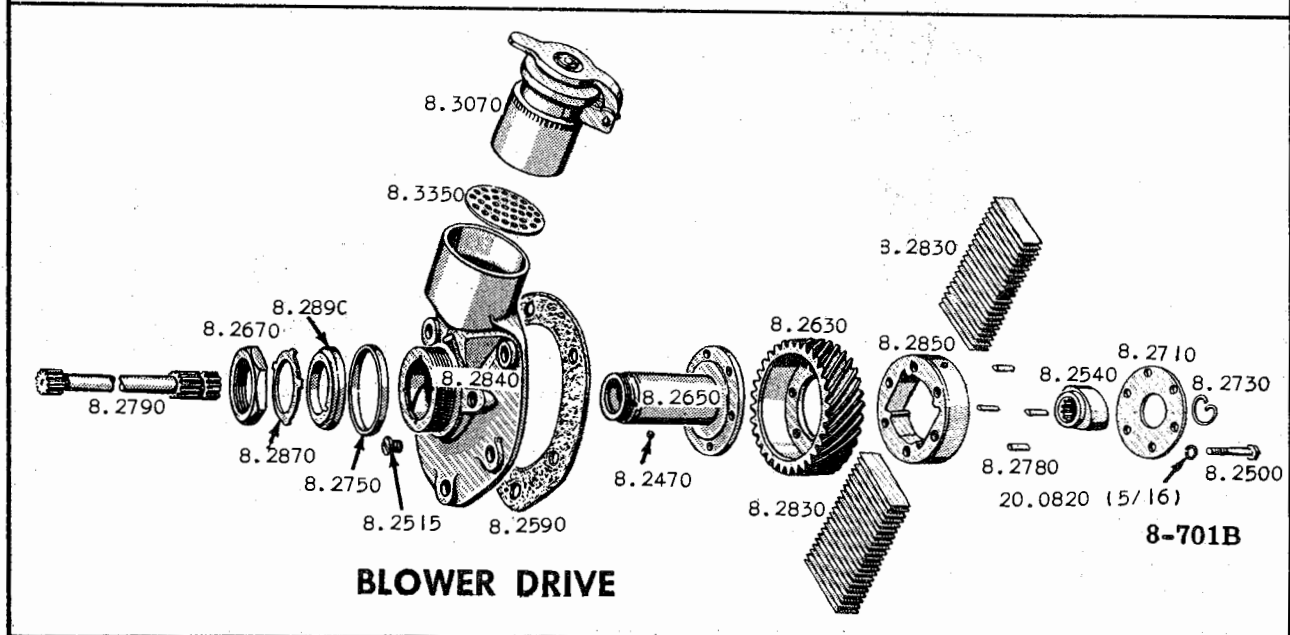
Key	Description	Group No.
P	Gasket	8.3630
Q	Spring—relief valve	8.3840
R	Valve—relief	8.3880
S	Gasket	8.3660
T	Cover	8.3600
U	Support	8.3870
V	Bushing	8.3550
W	Body	8.3470
X	Bushing	8.3570
Y	Gear—outer	8.3690
Z	Gear—idler	8.3700
AA	Washer (1-1/2 O.D.)	8.3890
AB	Washer (7/8 O.D.)	8.3890
AC	Bolt	8.3505

ENGINE



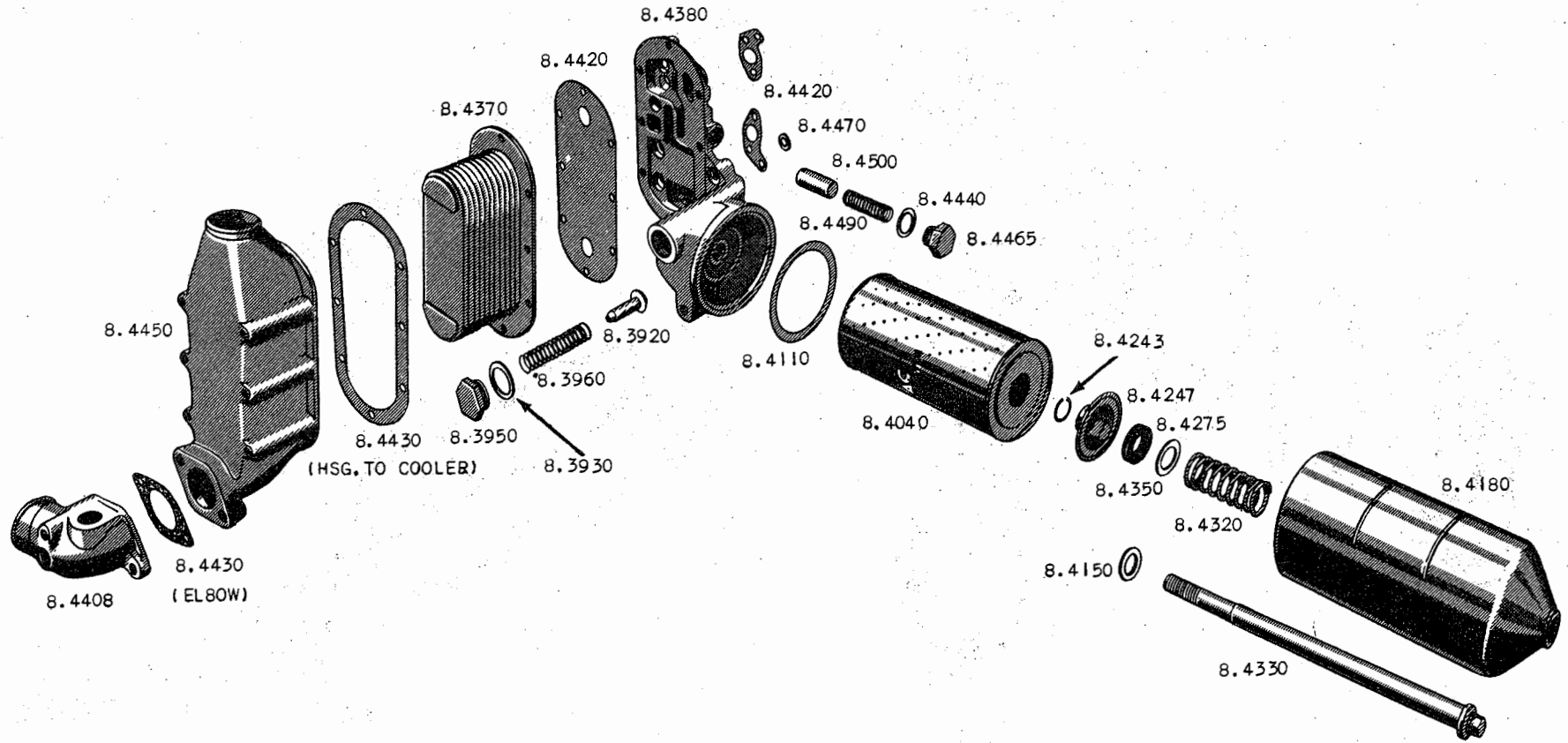
BLOWER

8-402



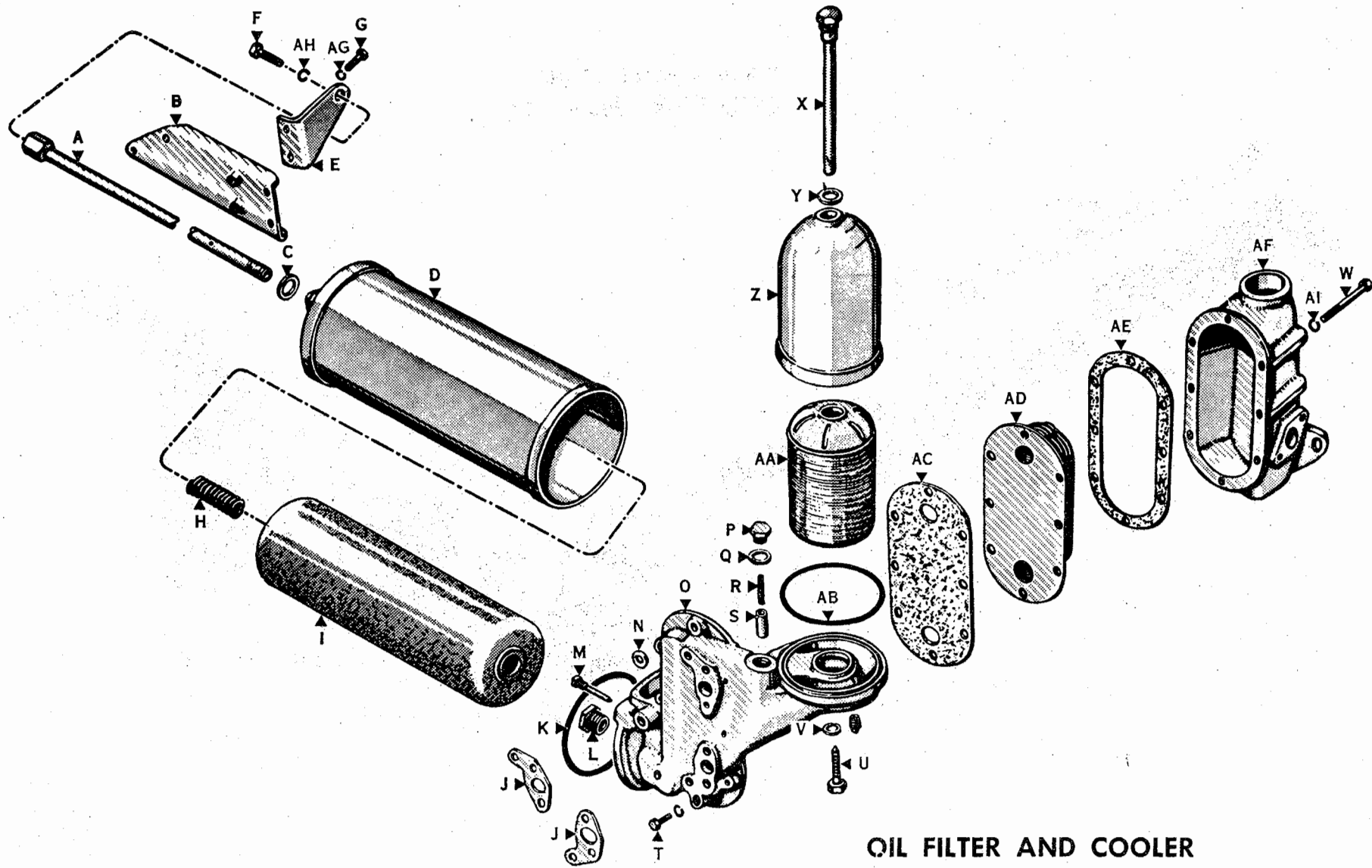
BLOWER DRIVE

8-701B



**OIL FILTER AND COOLER
(FULL FLOW SYSTEM)**

ENGINE



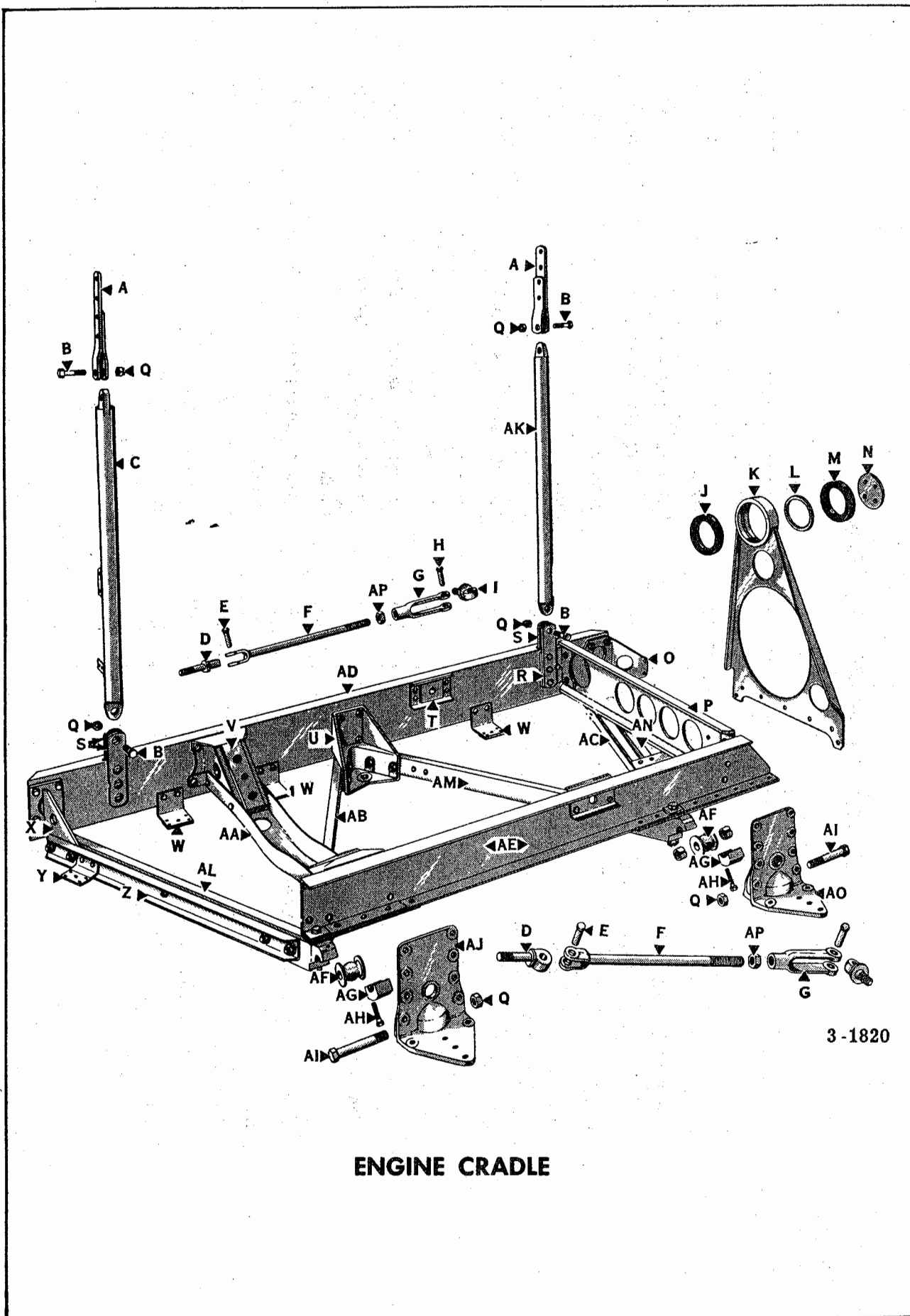
OIL FILTER AND COOLER
(BYPASS SYSTEM)

8-516B

KEY TO OIL FILTER AND COOLER

Key	Description	Group No.	Key	Description	Group No.
A	Stud	8. 4330	S	Valve	8. 4500
B	Bracket - oil filter	8. 4000	T	Bolt - (3/8-16 x 1-1/4)	8. 4390
C	Gasket - stud to filter housing	8. 4130	U	Bolt - (7/16-20 x 2)	8. 3990
D	Housing	8. 4180	V	Washer	8. 4360
E	Bracket - supporting	8. 4000	W	Bolt	8. 4400
F	Bolt - (1/2-20 x 1)	20. 0050	X	Retainer	8. 4250
G	Bolt - (3/8-24 x 3/4)	20. 0050	Y	Gasket - stud to strainer	8. 4130
H	Spring	8. 4325	Z	Housing	8. 4190
I	Element	8. 4030	AA	Element	8. 4040
J	Gasket	8. 4420	AB	Gasket - to adapter retainer	8. 4160
K	Gasket	8. 4110	AC	Gasket - cooler to adapter	8. 4410
L	Nut	8. 4225	AD	Cooler	8. 4370
M	Plug - restriction, adapter	8. 4470	AE	Gasket - to cooler	8. 4430
N	Spacer	8. 4480	AF	Housing	8. 4450
O	Adapter	8. 4380	AG	Washer - (3/8)	20. 0820
P	Plug - (5/16-18 hex. hd.)	8. 4470	AH	Washer - (1/2)	20. 0820
Q	Gasket	8. 4440	AI	Washer - (5/16)	20. 0820
R	Spring	8. 4490			

ENGINE



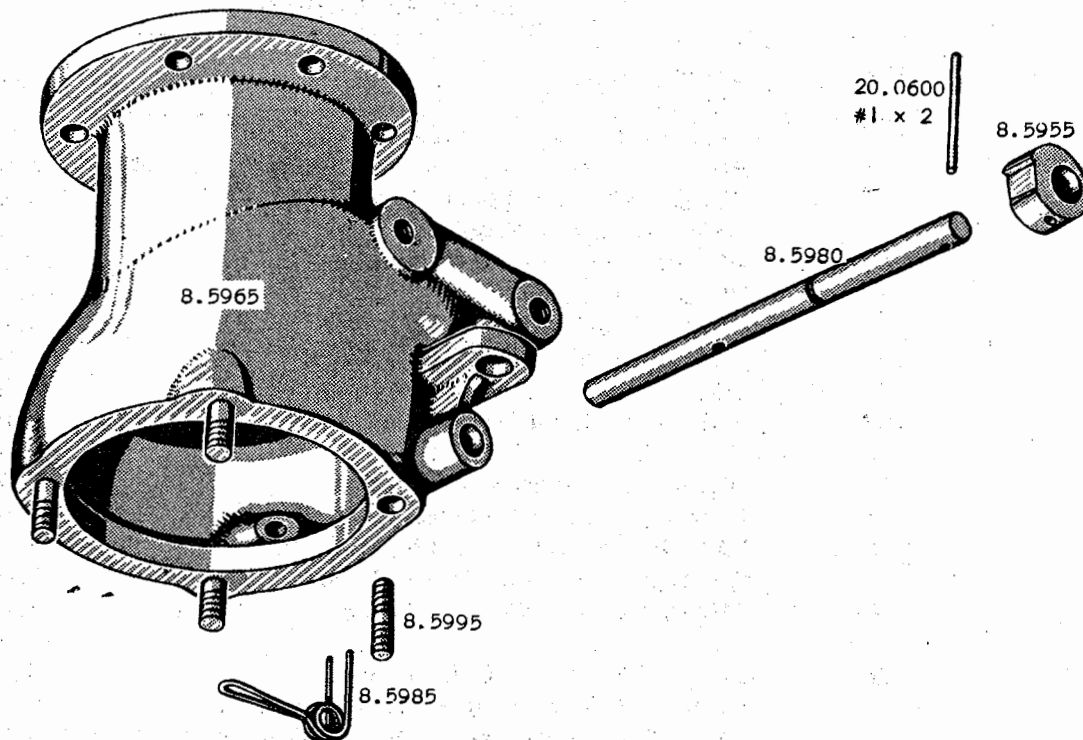
3-1820

ENGINE CRADLE

KEY TO ENGINE CRADLE

Key	Description	Group No.
A	BRACKET - support tube, upper	8.0110
B	BOLT - support tube, to cradle & belt rail brkt.	8.0070
C	TUBE - engine support, R. H.	8.0255
D	EYE - stabilizer tube	8.0165
E	PIN -(3/4 dia. x 2-3/64 long)	20.0610
F	TUBE - stabilizer	8.0255
G	YOKE - stabilizer tube (7/8-14 x 7-1/8)	20.0830
H	PIN - (7/8 dia. x 2-11/32 long)	20.0610
I	BOLT - stabilizer tube eye	8.0070
J	BUSHING - front trunnion	8.0125
K	SUPPORT	8.0250
L	RING - front trunnion bushing	8.0201
M	BUSHING - front trunnion	8.0125
N	RETAINER - front trunnion bushing	8.0200
O	BRACKET - cradle brace, L. H.	8.0095
P	CHANNEL - cradle, front L. H.	9.0140
Q	NUT	8.0070
R	BRACKET - tube, L. H. inside	8.0110
S	BRACKET - tube, R. H. & L. H. outside	8.0110
T	CHANNEL - stabilizer tube to cradle reinforcement	8.0140
U	BRACKET - engine cradle - center	8.0095
V	BRACKET - engine support, long	8.0110
W	SUPPORT - dust shield (L shaped)	8.0250
X	BRACKET - brace, R. H.	8.0095
Y	SUPPORT - dust shield (L shaped)	8.0250
Z	BRACE - engine cradle, R. H. outer	8.0085
AA	CHANNEL - support - cradle, rear	8.0140
AB	BRACE - cradle - R. H. center	8.0085
AC	BRACE - cradle - L. H. inner	8.0085
AD	CHANNEL - cradle - rear	8.0140
AE	CHANNEL - cradle - front	8.0140
AF	BALL - engine cradle	8.0048
AG	CAP - cradle ball	8.0135
AH	BOLT - cradle cap	8.0070
AI	BOLT - support to bulkhead brkt.	8.0070
AJ	BRACKET - R. H. (At bulkhead)	8.0095
AK	TUBE - engine support, L. H.	8.0255
AL	BRACE - engine cradle, R. H. inner	8.0085
AM	BRACE - engine cradle, L. H. center	8.0085
AN	BRACE - engine cradle, L. H. outer	8.0085
AO	BRACKET - L. H. (At bulkhead)	8.0095
AP	NUT - (7/8-14)	20.0510

ENGINE

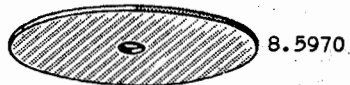


20.0590 (3/16 x 3/4)

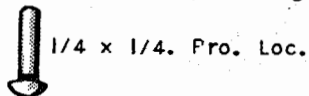


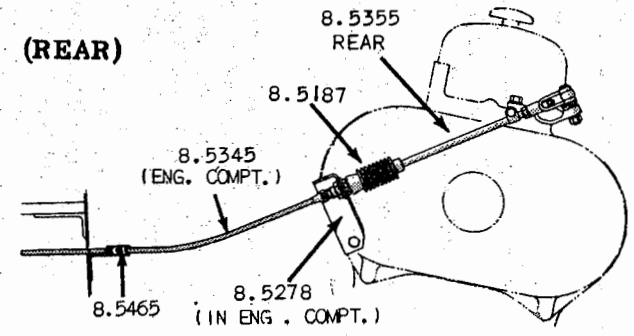
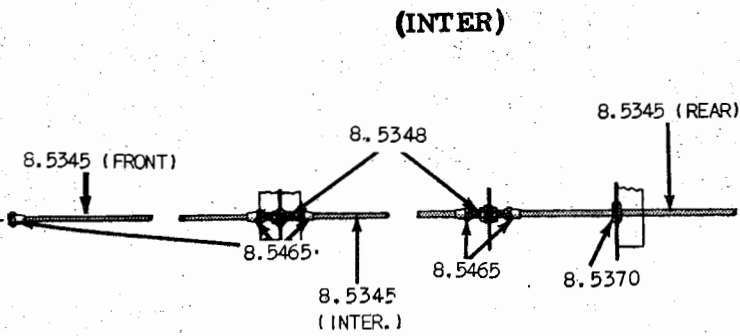
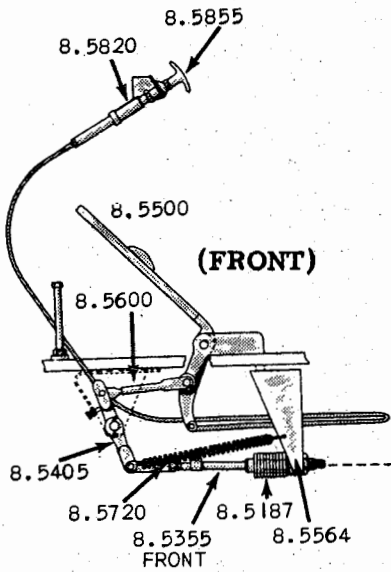
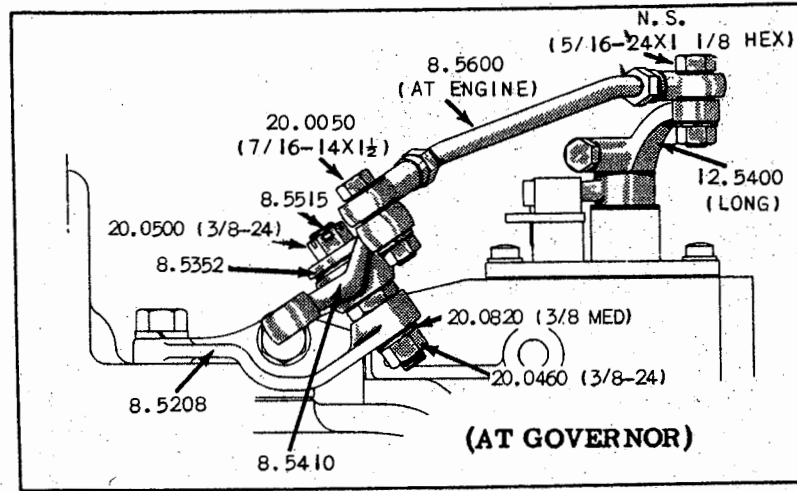
CHOKE VALVE AND HOUSING

8.5950



8-901B





ACCELERATOR CONTROL

ENGINE ASSEMBLY

NOTE: The following engine assembly is less accessories but includes water pump, oil cooler, oil pump, oil filter, fuel pump, blower and governor. The following 9 engines are used with single exhaust system.

8.0010	1	5187117	ENGINE-diesel-6-71-LA47. W/70 cu. MM fuel injector, modulating type governor w/setting at 2150 RPM. No load. Used w/power steering SL-11797-Div. A.
8.0010	1	5187831	ENGINE-diesel-6-71-LA47. W/70 cu. MM fuel injector, modulating type governor w/setting at 2100 RPM. No load. Used w/power steering SL-11797-Div. B.
8.0010	1	5187855	ENGINE-diesel-6-71-LA47. W/70 cu. MM fuel injector, modulating type governor w/setting at 2000 RPM. No load. Used w/power steering SL-11797-Div. C.
8.0010	1	5186363	ENGINE-diesel-6-71-LA47. W/70 cu. MM fuel injector, modulating type governor w/setting at 2000 RPM full load. Used w/mechanical type steering.
8.0010	1	5110317	ENGINE-diesel-6-71-LA47. W/70 cu. MM fuel injectors, mechanical type governor w/setting at 2000 RPM full load. Used w/power steering.
8.0010	1	5187990	ENGINE-diesel-6-71-LA47. W/70 cu. MM fuel injector, modulating type governor w/setting at 2000 RPM. No load. Used w/mech. steering.
8.0010	1	5188236	ENGINE-diesel-6-71-LA47. W/80 cu. MM fuel injectors, modulating type governor full load. Used w/power steering SL-11797-Div. G.
8.0010	1	5187794	ENGINE-diesel-6-71-LA47. W/80 cu. MM fuel injectors, modulating type governor w/setting at 2000 RPM full load. Used w/mechanical steering.
8.0010	1	5188235	ENGINE-diesel-6-71-LA47. W/60 cu. MM fuel injectors, mechanical type governor w/setting at 1750 RPM. No load. Used w/mechanical steering.

NOTE: The following 3 engines are used with dual exhaust system.

8.0010	1	5111364	ENGINE-diesel-6-71-LA47. W/70 cu. MM fuel injectors & modulating type governor. W/setting at 2000 RPM full load. W/dual exhaust. Prior to 1966.
8.0010	1	5114411	ENGINE-diesel-6-71-LA47. W/70 cu. MM fuel injectors & modulating type governor. W/dual exhaust and for installation of fluid fan drive. Eff W/1966 thru 4140.
8.0010	1	5123994	ENGINE-diesel-6-71-LA47. W/70 cu. MM fuel injectors & modulating type governor. W/dual exhaust installation for fluid fan drive and fuel manifold integral W/cylinder head. Eff W/chassis #4141.

ENGINE GASKET SET

8.0020	1	5195739	GASKET SET-engine overhaul-consist of water pump seals, packing & sufficient gaskets for complete engine overhaul.
--------	---	---------	--

ENGINE MOUNTING

8.0047	1	2305504	ANGLE-motor support-cradle-front.
8.0047	1	2292259	ANGLE-motor support-plate-RH lower.
8.0047	1	2292260	ANGLE-motor support-plate-LH lower.
8.0047	1	2292261	ANGLE-motor support-plate-lower center.
8.0047	1	2297324	ANGLE-motor support-LH.
8.0047	1	2292261	ANGLE-motor support-upper center.
8.0048	2	2228663	BALL-engine cradle.
8.0070	4	2231826	BOLT-engine support-insulator & support.
8.0070	4	2227066	BOLT-engine support-brace to bracket. 1/2-20 x 1-3/8.
8.0070	6	2296238	BOLT-engine support-bracket to bulkhead. 1/2-20 x 1-5/8.
8.0070	16	2227066	BOLT-engine support-bracket to bulkhead. 1/2-20 x 1-3/8.
8.0070	4	2231475	BOLT-engine support-cradle cap.
8.0070	1	2250097	BOLT-engine support-to bulkhead bracket 3/4-16 x 4-7/8.
8.0070	4	2296213	BOLT-engine support-cradle bracket to bulkhead. 1/2-20 x 1-1/2.
8.0070	6	2296214	BOLT-engine support-cradle bracket to bulkhead. 1/2-20 x 1-3/4.
8.0070	8	2155845	BOLT-engine support-brace to brkt. 1/2-20 x 1-11/16.
8.0070	4	2112321	BOLT-engine support-brace to brkt. 1/2-20 x 1-1/2.
8.0070	7	661223	BOLT-engine support-front support to channel prior to 1966.
8.0070	2	2364715	BOLT-engine support-stabilizer tube eye. 7/8-14 x 1-1/4.
8.0070	4	2295896	BOLT-engine support-tube to cradle & belt rail brkt. 3/4-16 x 2-1/4-300M.
8.0085	1	2294931	BRACE-engine cradle-LH inner.
8.0085	1	2294934	BRACE-engine cradle-RH center.
8.0085	1	2224872	BRACE-engine cradle-LH center. 4 ft. long. Ctl. repl. 2294935.
8.0085	2	2294932	BRACE-engine cradle-RH outer & inner. Repl. 2298358.

8.0085	1	2294933	BRACE-engine cradle-LH outer.
8.0095	1	2228542	BRACKET-engine cradle-RH. Ball joint.
8.0095	1	2228541	BRACKET-engine cradle-LH. Ball joint.
8.0095	1	2228521	BRACKET-engine cradle-center.
8.0095	1	2292222	BRACKET-engine cradle-RH. At bulkhead.
8.0095	1	2292223	BRACKET-engine cradle-LH. At bulkhead.
8.0095	1	2294937	BRACKET-engine cradle-brace-RH.
8.0095	1	2294938	BRACKET-engine cradle-brace-LH.
8.0100	2	5150051	BRACKET-engine lifter.
8.0110	1	2264692	BRACKET-engine support-short.
8.0110	1	2264693	BRACKET-engine support-long.
8.0110	2	2298709	BRACKET-engine support-tube-upper. 11-1/2 in. long.
8.0110	3	2294930	BRACKET-engine support-tube-lower. 2 in wide x 8-1/2 in. long, 3/16 in offset.
8.0110	1	2294929	BRACKET-engine support-tube-LH. 2 In. wide x 8-1/2 in. long, 1/16 in. offset.
8.0125	2	2250096	BUSHING-engine mounting-bracket bolt.
8.0125	2	2295097	BUSHING-engine mounting-front trunion.
8.0135	2	2228519	CAP-cradle ball joint bracket.
8.0140	1	2294936	CHANNEL-engine support-cradle-front, 30-1/2 in. long-extruded al. Prior to 1966.
8.0140	1	2357323	CHANNEL-engine support-cradle-front 30-1/2 in long. Extruded al. Bolt 3/8-24 x 1-1/8 hex. Eff. w/1966.
8.0140	1	2294486	CHANNEL-engine support-cradle-front, 57-1/8 in. long-extruded al. W/single exhaust system.
8.0140	1	2340372	CHANNEL-engine support-cradle-front. 57-1/8 in. long-extruded al. W/dual exhaust system. Prior to 1966.
8.0140	1	2295831	CHANNEL-engine support-cradle-rear, 29-1/2 in. long-steel.
8.0140	1	2294944	CHANNEL-engine support-cradle-rear, 75-1/8, extruded al.
8.0140	1	2295860	CHANNEL-engine support-stabilizer tube to cradle reinf.
8.0140	1	2294522	CHANNEL-engine support-beam-RH upper.
8.0140	1	2294523	CHANNEL-engine support-beam-LH upper.
8.0140	1	2294092	CHANNEL-engine support-radiator support.
8.0149	1	2294925	CLIP-channel-frt to rear.
8.0155	1	2358071	CRADLE-engine-complete. See note.

NOTE: Engine cradle assemblies are serviced while in current production. If not available it is necessary to order component parts.

8.0160	2	757501	CUSHION-engine mounting-rear.
8.0165	2	2267158	EYE-engine stabilizer tube.
8.0170	2	5150052	GASKET-engine lifter bracket.
8.0173	1	2294927	GUSSET-engine cradle-RH.
8.0173	1	2294928	GUSSET-engine cradle-LH.
8.0185	AR	274640	NUT-engine support bolt-3/4-16 hex.
8.0186	2	274641	NUT-engine support tube-stabilizer tube eye bolt. 7/8-14 hex. repl. 2218644.
8.0190	1	2292296	PLATE-engine support-RH. Prior to 1966 and eff. w/chassis 2916.
8.0190	1	2357943	PLATE-engine support-RH. Eff. w/chassis 1966 thru 2915.
8.0190	1	2292297	PLATE-engine support-LH.
8.0190	1	2292262	PLATE-engine support-center.
8.0198	2	2295862	REINFORCEMENT-engine support beam or channel-channel & cradle.
8.0220	1	2105445	RETAINER-engine support-front trunion bushing.
8.0201	1	2305715	RING-engine support-frt trunion bushing retainer.
8.0230	4	5177146	SPACER-engine support-cushion.
8.0230	2	2231125	SPACER-engine support-brace. 5/16 x 1-1/4 rivet.
8.0230	1	2294093	SPACER-engine support-radiator supt channel to bulkhd.
8.0240	4	5176832	STUD-engine support-cushion.
8.0240	12	2228698	STUD-engine support-bracket to channel & brace.
8.0240	4	2219698	STUD-engine support-retainer to channel.
8.0250	2	2297896	SUPPORT-engine-dust shield. L shaped, 1-1/2 x 2-5/8 x 3 in. long.
8.0250	3	2297802	SUPPORT-engine-dust shield. L shaped, 2-5/8 x 3-1/8 x 3 in. long.
8.0250	1	2297895	SUPPORT-engine-dust shield. Z shaped, 3 in. wide x 5-3/4 in. long.
8.0250	1	2294542	SUPPORT-engine-radiator, front.
8.0250	1	2267191	SUPPORT-engine-Mtd. on channel at front end of engine. Prior to 1966. Repl. 2295095.

NOTE: When replacing 2295095 support by 2267191 support it is also necessary to order 2301715 bushing retainer ring.

8.0250	1	2356830	SUPPORT-engine-Mtd. on channel at front end of engine. Eff. w/1966. Bolt 3/8-24 x 1-1/8 hex.
8.0255	2	2267152	TUBE-engine support-stabilizer. Incl. yoke 19-1/2 in. long. 1 req'd. W/dual exhaust.
8.0255	1	2313298	TUBE-engine support-RH.
8.0255	1	2313299	TUBE-engine support-LH.
8.0255	1	2340179	TUBE-engine support-Stabilizer. Incl yoke. 7-1/2 in. long.
8.0265	4	2264683	WEDGE-engine insulator locating dowel
8.0267	2	2228526	YOKE-stabilizer tube.

CYLINDER BLOCK

8.0400	1	5196146	BLOCK-engine cylinder-includes main bearing caps, studs, dowel pins, cylinder head studs & plugs. Repl. 5193109, 5194822, 5195150, 5195624.
8.0410	1	5194496	SLEEVE KIT-engine cylinder-Incl. cyl. sleeve, piston, piston pin & ring set.
8.0430	AR	5153139	BOLT-engine cylinder block cover-1 per cover 3/8-16 x 2-9/32.
8.0435	1	120322	BUSHING-reducing-in cover 5189148.
8.0440	4	5153467	CLEANER-air box drain.
8.0450	6	5153117	COVER-engine cylinder block hole-hand hole pressed metal.
8.0450	1	5184459	COVER-engine cylinder block hole-hand hole cast iron.
8.0450	1	5115578	COVER-engine cylinder block hole-hand hole. W/air comp. supercharger.
8.0450	1	5189143	COVER-engine cylinder block hole-water hole cast iron. Repl. 2071039.
8.0450	1	5115097	COVER-engine cylinder block hole-water hole. W/engine equipped for fluid fan drive & w/full flow oil system.
8.0457	6	5183330	GASKET-compression, engine cylinder liner.
8.0460	2	5177798	GASKET-engine cylinder block end plate.
8.0470	6	5150020	GASKET-engine cylinder block cover-hand hole.
8.0470	1	5116357	GASKET-engine cylinder block cover-water hole.
8.0473	2	5183305	GASKET-engine cylinder block-water & oil holes. 2 holes w/.038 ID x .63 OD & .5 ID x .74 OD synthetic rubber.
8.0475	AR	5178997	GASKET-engine cylinder block-hole plug-1.770 ID x 1.96 OD x .062 thk. soft alum.
8.0482	1	2224567	HOSE-air drain box-9/32 ID x 1/2 OD x 39 in. long, ctl.
8.0485	6	5184484	INSERT-engine cylinder liner-w/std & .005 OS sleeve.
8.0485	6	5193316	INSERT-engine cylinder liner-w/.010, .020, .030 OS sleeve.
8.0485	6	5194073	INSERT-engine cylinder liner-.004 US W/std ID liner when cylinder block is resurfaced.
8.0485	6	5194074	INSERT-engine cylinder liner-.008 US W/std ID liner when cylinder block is resurfaced.
8.0485	6	5194163	INSERT-engine cylinder liner-.004 US W/oversize ID liner when cylinder block is resurfaced.
8.0485	6	5194164	INSERT-engine cylinder liner-.008 US W/oversize ID liner when cylinder block is resurfaced.
8.0500	1	5152878	PLATE-engine cylinder block end-front. Fan end.
8.0500	1	5150060	PLATE-engine cylinder block end-rear. HSG end.
8.0510	AR	5150014	PLUG-engine cylinder block-Accessory pad, block core hole. 1-1/4 exp.
8.0510	AR	143969	PLUG-engine cylinder block-1-11-1/2 CTSK.
8.0510	AR	5154319	PLUG-engine cylinder block-Idler gear hole .257 in. dia. x 5/16 in. long.
8.0510	AR	5150130	PLUG-engine cylinder block-oil hole. At cyl. block ends. 5/16 steel cup.
8.0510	AR	5151122	PLUG-engine cylinder block-balance shaft oil hole. 3/8 steel cup.
8.0510	AR	5154082	PLUG-engine cylinder block-air compression return line. 1.253 OD.
8.0510	AR	117244	PLUG-engine cylinder block-1/4-18 sq. hd-brass.
8.0510	AR	5178998	PLUG-engine cylinder block-1-3/4-16 w/flange.
8.0510	AR	143968	PLUG-engine cylinder block-3/4-14 Ctsk. hdl.
8.0510	AR	118831	PLUG-engine cylinder block-1/8-27 sl hdl. brass.
8.0510	AR	5170896	PLUG-engine cylinder block-3/8-24 hdl.
8.0510	AR	444688	PLUG-engine cylinder block-1/8-27 pipe.
8.0510	AR	5182581	PLUG-engine cylinder block-1/2 hdl. cooler pad, main oil gallery.
8.0510	AR	5177650	PLUG-engine cylinder block-1.253 OD expansion.
8.0510	AR	117244	PLUG-engine cylinder block-1/4-18 hex. socket type. Oil return
8.0510	AR	444867	PLUG-engine cylinder block-3/8 hdl. bottom block.
8.0515	1	5119974	RING-seal, engine cylinder block-large. Head to block.
8.0515	6	5186579	RING-seal, engine cylinder block-water hole top.
8.0515	6	5186577	RING-seal, engine cylinder block-water hole end.
8.0520	6	2190595	SHIM-engine cylinder sleeve-.0015.
8.0520	6	5192226	SHIM-engine cylinder sleeve-.003.
8.0520	6	2190385	SHIM-engine cylinder sleeve-.005.
8.0520	6	2190386	SHIM-engine cylinder sleeve-.015.
8.0530	6	5188868	SLEEVE-engine cylinder-Std. ID, Std. OD.

8.0530	6	5194448	SLEEVE-engine cylinder-Std. ID, .005 oversize OD.
8.0530	6	5194449	SLEEVE-engine cylinder-Std. ID, .010 oversize OD.
8.0530	6	5194450	SLEEVE-engine cylinder-Std. ID, .020 oversize OD.
8.0530	6	5194451	SLEEVE-engine cylinder-Std. ID, .030 oversize OD.
8.0560	AR	2224977	TUBE-drain, air box-5/16 OD, 25 ft. long. CTL Repl. 5158825.

CYLINDER HEAD

8.0570	1	5196310	HEAD-engine cylinder-W/integral fuel manifold.
--------	---	---------	--

NOTE: Cylinder head assemblies include valve guides & seat rings, manifold studs, injector hole tube, seal ring & studs, outlet manifold studs, water nozzle & plugs.

8.0580	1	5195742	GASKET SET-engine cylinder head overhaul-Incl gaskets & seal rings.
8.0605	6	5157194	BOLT-engine cylinder head cover.
8.0620	1	5178383	COVER-engine cylinder head.
8.0630	1	5150329	GASKET-engine cylinder head cover.
8.0655	14	5150013	NUT-engine cylinder head to block stud-5/8-18.
8.0660	4	143968	PLUG-engine cylinder head-3/4-14.
8.0660	4	5154453	PLUG-engine cylinder head-3/4-16.
8.0660	2	444867	PLUG-engine cylinder head-3/8-18 hdls.
8.0660	AR	5125237	PLUG-engine cylinder head-1/4.
8.0670	4	5157192	STUD-engine cylinder head cover-3/8-16 x 4-5/16.
8.0680	14	5183329	STUD-engine cylinder head to block-5/8-11-18 x 6-3/8.
8.0690	6	5150333	WASHER-engine cylinder head bolt.

EXHAUST VALVE

8.0700	12	5193666	VALVE-exhaust-Incl. valve & key. 30 degree. Repl. 5193198.
8.0700	12	5193197	VALVE-exhaust-Incl. valve & key. Not hard face.
8.0740	12	5150291	CAP-valve spring.
8.0750	12	5120930	GUIDE-valve-Std.
8.0750	12	5192717	GUIDE-valve-.016 OS on OD.
8.0760	24	838029	KEY-valve-spring seat lock.
8.0790	12	5185326	RING-seat, exhaust valve-Std.
8.0790	12	5193215	RING-seat, exhaust valve-.010 OS.
8.0800	12	5150292	SEAT-exhaust valve spring.
8.0820	12	5150289	SPRING-exhaust valve.

VALVE OPERATING MECHANISM

8.0840	6	5179954	ARM-rocker, fuel injector-Incl. yoke & bushing.
8.0850	6	5150305	ARM-rocker, valve-RH. Incl. yoke & bushing.
8.0850	6	5150304	ARM-rocker, valve-LH. Incl. yoke & bushing.
8.0860	6	5150319	BALL-fuel injector rocker arm-Incl. seat. One per arm. Part of 5179954 arm.
8.0870	12	443603	BOLT-cam roller guide-1/4-20 x 3/4.
8.0880	12	5150325	BOLT-valve rocker shaft bracket- 1/2-13 x 4-1/4.
8.0890	12	5150324	BRACKET-valve rocker arm shaft.
8.0900	AR	5150310	BUSHING-rocker arm-valve rocker arm. 1 req'd per arm.
8.0900	AR	5150318	BUSHING-rocker arm-injector rocker arm. 1 req'd per arm.
8.0900	AR	5150311	BUSHING-rocker arm-valve & injector rocker arm. 1 req'd per arm.
8.0910	AR	5123700	BUSHING-valve & injector push rod yoke-7/16 ID x 9/16 OD x .566 long.
8.0930	18	5115087	FOLLOWER-valve & injector push rod cam-Incl. roller. Bushing type. Repl. 5159837.
8.0960	6	5150298	GUIDE-valve & injector cam roller.
8.0990	18	5151601	NUT-valve & injector push rod lock.
8.1000	18	5150314	PIN-valve & injector push rod yoke-1/4 ID x .4385 OD x 1-1/16.
8.1020	6	5151272	PLUG-valve rocker arm shaft.
8.1050	18	5150303	RETAINER-push rod follower spring seat.
8.1070	18	5150299	ROD-push, valve & injector.
8.1080	18	5195220	ROLLER-valve & injector cam follower-Incl. bushing & pin.
8.1110	18	5150300	SEAT-valve & injector push rod follower-lower. Prior to chassis No. 4141.
8.1110	18	5123250	SEAT-valve & injector push rod follower-lower. Effective w/chassis No. 4141.
8.1110	18	5150302	SEAT-valve & injector push rod follower-upper.
8.1120	6	5150322	SHAFT-rocker arm-Incl. plugs.

8.1130 18 5186858 SPRING-valve & injector push rod follower-Repl. 5150301.
8.1190 18 5150312 YOKE-rocker arm push rod.

CAMSHAFT, BALANCE WEIGHT AND SHAFT

8.1200 1 5179962 CAMSHAFT-engine-Incl. plugs.
8.1205 5 5196022 BEARING SET-camshaft-Std.
8.1205 5 5196025 BEARING SET-camshaft-010 OS.
8.1205 5 5196023 BEARING SET-camshaft-010 US.
8.1205 5 5196024 BEARING SET-camshaft-020 US.

NOTE: The above bearing sets consist of a lower and upper brg.

8.1220 4 5111422 BEARING-camshaft & bearing shaft end-Std. Incl. bushing. Repl. 5158922.
8.1220 4 5194858 BEARING-camshaft & bearing shaft end-.010 US. Incl. bushing. Repl. 5192589.
8.1220 4 5194859 BEARING-camshaft & bearing shaft end-.020 US. Incl. bushing. Repl. 5192590.
8.1240 2 5150086 BOLT-balance weight spring retainer-3/8-24 x 1-29/32.
8.1250 12 186679 BOLT-camshaft & balance weight shaft bearing-3/8-16 x 1-1/4.
8.1270 6 5123383 BOLT-lock, camshaft intermediate bearing-1/4-28 x 17/32.
8.1275 2 189329 BOLT-balance weight cover-3/8-24 x 3-1/4.
8.1275 2 180130 BOLT-balance weight cover-3/8-16 x 1-7/8.
8.1275 7 181652 BOLT-balance weight cover-3/8-24 x 3.
8.1275 1 181652 BOLT-balance weight cover-3/8-24 x 3.
8.1275 2 189305 BOLT-balance weight cover-3/8-16 x 3-1/2.
8.1280 2 5150081- BUSHING -balance weight-Std. Part of shaft weight. 5150074 1-7/8 ID x 2 OD x 13/32 in. long.
8.1280 2 5193076 BUSHING -balance weight-.010 US.
8.1290 8 5153952 BUSHING - camshaft & balance shaft-Std. part of shaft end brg. No. 5158922.
8.1290 8 5111423 BUSHING - camshaft & balance shaft-Std. part of shaft end brg. No. 5111422.
8.1290 8 5190853 BUSHING - camshaft & balance shaft-.020 US part of shaft end brg. No. 5192589, 5192590.
8.1290 8 5194825 BUSHING - camshaft & balance shaft-.020 US part of shaft end brg. No. 5194858, 5194859.
8.1300 1 5120231 COVER-camshaft & balance shaft weight.
8.1310 1 5121753 GASKET-camshaft & balance weight cover.
8.1330 2 5150087 NUT-balance weight-1-1/2-18.
8.1360 2 5151277 PLUG-camshaft-15/32 x 1/2.
8.1370 2 5150085 RETAINER-balance weight spring-25/64 ID x 2-1/4 OD. Part of 5150074.
8.1380 10 5115572 RING-lock, camshaft intermediate brg-Repl. 5150026.
8.1390 1 5158673 SHAFT-balance-Incl. thrust collar. Repl. 5177739.
8.1400 2 5150083 SPACER-front balance weight-.865 thk. x 1.1/4 in. long, w/3/8 in. dia. hole. Part of 5150074.
8.1410 68 5150084 SPRING-front balance weight-.015 in. thk. Part of 5150074.
8.1425 2 5177769 WASHER-balance weight nut.

NOTE: The following 3 washers are used w/5158922, 5192589 & 5192590 brgs have 1.689 ID.

8.1430 4 5158917 WASHER-thrust, camshaft & balance shaft-Std.
8.1430 4 5192231 WASHER-thrust, camshaft & balance shaft-.005 OS.
8.1430 4 5192232 WASHER-thrust, camshaft & balance shaft-.010 OS.

NOTE: The following 3 washers are used w/5111422, 5194858 & 5194859 brgs. and have 1.629 ID.

8.1430 4 5111424 WASHER-thrust, camshaft & balance shaft-Std.
8.1430 4 5194826 WASHER-thrust, camshaft & balance shaft-.005 OS.
8.1430 4 5194827 WASHER-thrust, camshaft & balance shaft-.010 OS.
8.1440 2 5114031 WEIGHT-balance, camshaft and balance shaft-1 piece construction. Replaces 5150074.

CRANKSHAFT

8.1450 1 5179068 CRANKSHAFT-engine
8.1480 1 5153623 BOLT-engine crankshaft end cap-1-14 x 2-1/4 hex.
8.1490 3 181636 BOLT-engine crankshaft front cover-3/8-24 x 7/8.
8.1490 2 186680 BOLT-engine crankshaft front cover-1/2-13 x 2-1/4. 300M.

8.1490	2	180185	BOLT-engine crankshaft front cover-1/2-13 x 3.
8.1490	3	186627	BOLT-engine crankshaft front cover-3/8-24 x 1. 300 M hex. hd.
8.1500	1	5160302	CAP-engine crankshaft end - W/engines equipped for fluid fan inst.
8.1520	1	5151344	CONE-engine crankshaft damper-front.
8.1520	1	5153144	CONE-engine crankshaft damper-rear.
8.1530	1	5184577	COVER-engine crankshaft-Incl oil seal. W/engine that is not equipped for fluid fan inst.
8.1530	1	5114603	COVER-engine crankshaft-Incl. front oil seal. W/engine equipped for fluid fan inst.
8.1540	1	5110306	DAMPER-vibration, engine crankshaft-heavy Repl. 5177764.
8.1540	1	5177763	DAMPER-vibration, engine crankshaft-light.
8.1550	1	5150181	GASKET-engine crankshaft cover-W/5184577 cover.
8.1550	1	5114523	GASKET-engine crankshaft cover-W/5114603 cover.
8.1580	1	5186050	HUB-engine crankshaft vibration damper-Incl. pin.
8.1600	2	5177528	PIN DOWEL, engine crankshaft-9/16 in. dia. x 1-7/8.
8.1630	2	5175641	PIN-dowel, engine crankshaft vibration damper-7/16 x 1.38.
8.1640	1	117244	PLUG-engine crankshaft-1/4-18 sq. hd, pipe.
8.1640	AR	444688	PLUG-engine crankshaft-1/8-27 hex. socket hd.
8.1640	2	117244	PLUG-engine crankshaft cover-1/8-14 hex. socket.
8.1665	1	5192496	RING-spacer, crankshaft oil seal.
8.1670	1	5151392	SEAL-oil, engine crankshaft-front.
8.1670	1	5178989	SEAL-oil, engine crankshaft-rear. Synthetic rubber.
8.1680	1	5150174	SLINGER-oil, engine crankshaft-front.
8.1700	1	5192496	SPACER-engine crankshaft oil seal-2-1/2 ID x 2-7/8 OD.
8.1730	1	5160380	WASHER-engine crankshaft end cap bolt-1-1/16 ID x 1-3/4 OD.

CRANKSHAFT MAIN BEARINGS

8.1760	7	5179631	BEARINGS-main, engine crankshaft-Std. Upper.
8.1760	7	5179630	BEARINGS-main, engine crankshaft-Std. Lower.
8.1760	7	5192880	BEARINGS-main, engine crankshaft-.002 US upper.
8.1760	7	5192879	BEARINGS-main, engine crankshaft-.002 US lower.
8.1760	7	5192884	BEARINGS-main, engine crankshaft-.010 US upper.
8.1760	7	5192883	BEARINGS-main, engine crankshaft-.010 US lower.
8.1760	7	5192888	BEARINGS-main, engine crankshaft-.020 US upper.
8.1760	7	5192887	BEARINGS-main, engine crankshaft-.020 US lower.
8.1760	7	5192892	BEARINGS-main, engine crankshaft-.030 US upper.
8.1760	7	5192891	BEARINGS-main, engine crankshaft-.030 US lower.
8.1780	14	5152149	BOLT-engine crankshaft bearing cap-5/8-11 x 4-3/4.
8.1790	7	5158674	CAP-engine crankshaft bearing.
8.1810	14	5150572	NUT-engine crankshaft bearing cap bolt-5/8-18 slotted.
8.1815	4	141346	PIN-dowel, engine crankshaft brg cap-rear main brg cap. 3/16 x 1/2, brass.
8.1830	4	5159353	WASHER-thrust, engine crankshaft bearing-Std.
8.1830	4	5160542	WASHER-thrust, engine crankshaft bearing-.005 OS.
8.1830	4	5192111	WASHER-thrust, engine crankshaft bearing-.010 OS.

CONNECTING ROD

8.1840	6	5154332	ROD-connecting, engine-Incl. bushing, bolts, nuts, orifice and nozzle.
8.1850	6	5179632	BEARING-engine connecting rod-Std. upper.
8.1850	6	5179633	BEARING-engine connecting rod-Std. lower.
8.1850	6	5192881	BEARING-engine connecting rod-.002 US. upper.
8.1850	6	5192882	BEARING-engine connecting rod-.002 US. lower.
8.1850	6	5192885	BEARING-engine connecting rod-.010 US. upper.
8.1850	6	5192886	BEARING-engine connecting rod-.010 US. lower.
8.1850	6	5192889	BEARING-engine connecting rod-.020 US. upper.
8.1850	6	5192890	BEARING-engine connecting rod-.020 US. lower.
8.1850	6	5192893	BEARING-engine connecting rod-.030 US. upper.
8.1850	6	5192894	BEARING-engine connecting rod-.030 US. lower.
8.1870	12	5150094	BOLT-engine connecting rod cap-7/16-20 x 3-3/8.
8.1880	12	5157274	BUSHING-engine connecting rod-Std.
8.1900	12	5150095	NUT-engine connecting rod cap bolt-7/16-20 slotted.
8.1910	6	5154360	ORFICE-engine connecting rod.

PISTON RINGS AND PINS

NOTE: Piston Incl. bushings, lock rings and retainer.

8.1920	6	5189054	PISTON-engine-Std. incl. bushing & retainer. Repl. 5171524.
8.1920	6	5189055	PISTON-engine-.010 OS. Repl. 5192189.
8.1920	6	5189056	PISTON-engine-.020 OS. Repl. 5192192
8.1920	6	5189057	PISTON-engine-.030 OS. Repl. 5192195

NOTE: Above 3 piston assemblies include bushing, lock rings and retainer.
Refer to Group 8.0410 for sleeve kit including piston.

8.1925	12	5155839	BUSHING-engine piston pin.
8.1930	6	5188406	PIN-engine piston-Std. Repl. 5153590.
8.1930	6	5194543	PIN-engine piston-.010 OS. used w/5189054 piston.
8.1940	24	5185325	RING-engine piston-Std. chrome.
8.1940	24	5193481	RING-engine piston-.010 OS. chrome.
8.1940	24	5193482	RING-engine piston-.020 OS. chrome.
8.1940	24	5193483	RING-engine piston-.030 OS. chrome.
8.1940	12	5179836	RING-engine piston-Std. incl. expander.
8.1940	12	5192864	RING-engine piston-.010 OS. incl. expander.
8.1940	12	5192865	RING-engine piston-.020 OS. incl. expander.
8.1940	12	5192866	RING-engine piston-.030 OS. incl. expander.
8.1950	6	5193477	RING SET-engine piston-Std. 1 piston complete.
8.1950	6	5193648	RING SET-engine piston-.010 OS. 1 piston complete.
8.1950	6	5193649	RING SET-engine piston-.020 OS. 1 piston complete.
8.1950	6	5193650	RING SET-engine piston-.030 OS. 1 piston complete.
8.1960	12	5153592	RETAINER-engine piston pin-used w/5171524 piston.
8.1960	12	5188405	RETAINER-engine piston pin-part of piston No. 5189054.
8.1970	12	5153562	RING-lock, engine piston pin.

FLYWHEEL AND HOUSING

8.1980	1	5177033	FLYWHEEL-incl. ring gear & hole plug.
8.2000	6	9410925	BOLT-flywheel-to crankshaft. 9/16-18 x 2-1/4 300 M hex.
8.2010	6	190770	BOLT-flywheel housing-to cylinder block 1/2-13 x 3-1/4.
8.2010	6	9409028	BOLT-flywheel housing-HSG to idler gear hub 3/8-16 x 1. Repl. 5177709.
8.2030	1	5150054	GASKET-flywheel housing-large. HSG end.
8.2050	1	5166664	GEAR-ring, flywheel-Repl. 5152615.
8.2060	1	5121588	HOUSING-flywheel.
8.2080	4	5151576	PIN-dowel, flywheel housing-1/2 x 1-5/8.
8.2095	1	118831	PLUG-flywheel-pilot brg. oil hole 1/8 slotted hdl.

TIMING GEARS

8.2110	1	5185783	GEAR-engine balance shaft-LH helix-19 degree.
8.2120	1	5176458	GEAR-engine camshaft-RH helix-19 degrees.

NOTE: When changing camshaft and balance shaft gears from 5/16 in tapped hole to 3/8 in. tapped hole, see group 7.3345 for generator external drive gear and 7.3100 for bolt used. See group 4.5256 for bolt used with air compressor drive disc.

8.2130	1	5173329	GEAR-engine crankshaft-LH helix-19 degrees.
8.2140	1	5193280	GEAR-engine idler-RH helix-19 degrees. Incl. hub, dowel, bearing, brg, retainer, bolts & locks.
8.2150	1	7450205	BEARING-engine idler gear-use w/spacer ring Stpd. No. EB-180379-ZD.
8.2160	4	181643	BOLT-cam or balance weight-3/8-24 x 1-1/2
8.2165	8	186627	BOLT-engine camshaft and balance shaft gear-retainer to gear. 3/8-24 x 1.
8.2165	2	217946	BOLT-engine camshaft and balance shaft gear-retainer to balance gear. 5/16-24 x 1/2 socket hd.
8.2170	6	5150271	BOLT-engine crankshaft gear-3/8-24 x 1-3/16.
8.2180	6	446072	BOLT-engine idler gear retainer-5/16-24 x 1/2. 300 M steel.
8.2180	3	9409028	BOLT-engine idler gear retainer-3/8-16 x 1. Repl. 5177709.
8.2190	2	186689	BOLT-engine idler gear hub-1/2-13 x 2.

8.2250	1	5176996	HUB-engine idler gear-incl. dowel pin
8.2260	4	5153914	KEY-engine camshaft & balance shaft gear-gear to shaft & weight to hub. 1/4 x 1 Woodruff
8.2280	3	5176999	LOCK-engine idler gear retainer bolt
8.2290	2	5150087	NUT-engine camshaft & balance shaft gear-1-1/8-18
8.2310	2	5151444	PIN-dowel, engine idler gear hub and spacer-25/64 in dia. x 9/16
8.2330	1	5172734	RETAINER-engine camshaft or balance gear nut-camshaft gear nut 5-1/4 OD
8.2330	1	5185792	RETAINER-engine camshaft or balance gear nut-balance gear nut 3.032 OD
8.2350	1	5176998	RETAINER-engine idler gear bearing-gear hole incl. dowel pin & bolt
8.2360	1	5117141	SPACER-engine idler gear-gear hole incl. dowel pin
8.2367	2	5167714	WASHER-engine idler gear hub bolt-17/32 ID x 7/8 OD
8.2380	2	5172347	WEIGHT-engine camshaft or balance shaft gear-steel

BLOWER & DRIVE

8.2390	1	5120996	BLOWER-engine-w/die cast alum. end plates & covers. Repl. 5114472, 5157393
NOTE: Blower includes fuel pump coupling disc, water pump intermediate shaft and coupling, rotors, gear, bushings etc.			
8.2410	1	5192234	GEAR SET-blower rotor-incl., RH & LH matched steel
8.2430	1	5192751	KIT-blower rotor gear hub-incl. hub, plate, spacer & bolts
8.2440	1	5192754	KIT-installation, blower-incl. drive cover seal kits, blower & governor hsg. gaskets, water pump seals, packing & hose clamps
8.2450	1	5192796	KIT-repair, blower-incl. rotor shaft seal, gaskets, shims, bearings & screens
8.2460	1	5192795	ROTOR SET-Blower-consist of upper & lower rotors
8.2470	1	104917	BALL-blower drive gear hub-7/32 in. dia.
8.2480	2	5150285	BEARING-blower drive support
8.2490	2	7451054	BEARING-blower rotor-front. Stpd. #U-1205-TS-18
8.2490	2	954418	BEARING-blower rotor-thrust. Rear. Stpd. 5205-WL-1450A
8.2500	6	5150350	BOLT-blower drive coupling-to hub 5/16-24 x 1-15/16
8.2510	6	5118219	BOLT-blower drive coupling-incl. washer 5/16-18 x 7/8. Repl. 5171159
8.2515	2	181636	BOLT-blower drive support-3/8-24 x 7/8
8.2530	3	5173363	BOLT-blower rotor gear hub-to gear 5/16-24 x 1
8.2530	3	5173362	BOLT-blower rotor gear hub-to plate 5/16-24 x 3/4
8.2535	2	181698	BOLT-retaining, blower rotor gear-1/2-20 x 1-1/4
8.2540	1	5150348	CAM-blower drive coupling
8.2550	AR	5173695	CLAMP/blower drive cover seal
8.2560	1	5050344	COUPLING-flexible blower drive-incl. spring, seat, support & cam
8.2570	1	5172869	COVER-Blower Drive
8.2580	2	5150233	COVER-Blower Housing End Plate-Alum. Part of 5157393 Blower
8.2580	2	5114442	COVER-Blower Housing End Plate-w/5 in. dia. hole alum. Part of 5114472 blower
8.2580	1	5114442	COVER-blower housing end plate-w/5 in. dia. hole. Die cast alum. Part of 5120996 blower
8.2580	1	5120726	COVER-blower housing end plate-w/2-3/4 in. dia. hole. Die cast alum. Part of 5120996 blower
8.2590	1	5150286	GASKET-blower drive support
8.2600	1	5150246	GASKET-blower drive cover
8.2610	2	5150234	GASKET-blower housing end plate cover
8.2620	1	5115656	GASKET-blower mounting. Repl. 5111913, 5118877
8.2630	1	5174531	GEAR-drive, blower
8.2640	1	5111715	HOUSING-blower-repl. 51155866
8.2650	1	5150279	HUB-blower drive gear
8.2670	1	5152804	NUT-lock, blower drive gear hub-1-1/2-16 x 1-7/8 OD
8.2680	4	5150542	PIN-dowel, blower housing end plate-2 in. long. Part of 5150218, 5195142 plate.
8.2680	4	5114528	PIN-dowel, blower housing end plate-1-7/8 in. lg. Part of 5114485, 5193719 plate
8.2690	2	5195142	PLATE-blower housing end-incl. pin alum. Part of 5157393 blower
8.2690	2	5193719	PLATE-blower housing end-incl. dowel pin die cast alum. Part of 5114472, 5020996 blower
8.2700	1	5173365	PLATE-spring, blower rotor gear hub
8.2710	1	5150349	RETAINER-blower drive coupling
8.2720	4	5179017	RETAINER-blower rotor bearing-front & rear
8.2730	1	5167727	RING-snap, blower drive shaft
8.2740	1	5157232	ROTOR-blower-upper LH helix
8.2740	1	5179049	ROTOR-blower-lower LH helix
8.2745	1	5111881	SCREEN-engine blower-repl. 5150988

8.2750	1	5172865	SEAL-blower drive cover-w/cover
8.2750	1	5172865	SEAL-blower drive cover-w/tube
8.2770	1	5150220	SEAL-oil, blower rotor shaft-max. 4 std. used w/o spacer.
8.2770	AR	5192438	SEAL-oil, blower rotor shaft-max. of 4 req'd. 11/64 ID. Used w/spacer. W/5157393 blower
8.2780	4	5150346	SEAT-blower drive coupling spring
8.2790	1	5154640	SHAFT-blower drive-std.
8.2790	1	5168131	SHAFT-blower drive-w/power strg. SL-11797 prior to chassis #1301
8.2790	1	5189454	SHAFT-blower drive-w/power strg. SL-11797 eff. w/chassis #1301.SL-12448, SL-12898
8.2800	AR	5150372	SHIM-blower rotor gear-.002
8.2800	AR	5153938	SHIM-blower rotor gear-.003
8.2800	AR	5150855	SHIM-blower rotor gear-.005
8.2800	AR	5150856	SHIM-blower rotor gear-.010
8.2810	3	5173364	SPACER-blower rotor gear hub-to spring plate 5/16 ID x 5/8 OD
8.2820	AR	5192439	SPACER-blower rotor shaft-1.174 ID x 1-5/16 OD
8.2830	42	5196314	KIT-spring, blower drive coupling-consists of 42 spring & 2 seats. Repl. 5150347
8.2840	1	5172871	SUPPORT-blower drive-incl. brg.
8.2850	1	5150345	SUPPORT-blower drive coupling spring
8.2855	1	5118353	TUBE-blower drive cover-for use w/5120996
8.2860	AR	5150238	WASHER-blower housing bolt-29/64 ID x 13/16 OD
8.2870	1	5150281	WASHER-lock, blower drive gear hub-1-17/32 ID x 1-7/8 OD
8.2880	1	5154400	WASHER-retaining, blower rotor gear-33/64 ID x 1-3/16 OD
8.2880	2	5154398	WASHER-retaining, blower rotor gear-gear bolt. 1/2 lock, ext. teeth
8.2890	1	5158901	WASHER-thrust, blower drive gear hub-1-1/2 ID x 2-7/16 OD, beveled

OIL PAN

8.2900	1	5169460	PAN-oil, engine-less sump & drain plug
8.2910	8	5172052	BOLT-oil pan plate or sump-incl. washer 5/16-18 x 3/4
8.2930	1	5150117	GASKET-engine oil pan-pan to block
8.2940	1	1555476	GASKET-engine oil drain plug
8.2950	1	5153986	GASKET-engine oil pan plate or sump-pan to pan
8.2970	1	053688	PLUG-drain, engine oil pan
8.2980	1	5153911	SUMP-engine oil pan

CRANKCASE VENTILATOR, OIL FILLER AND BREATHER

8.2995	1	1544255	KIT-engine oil filler cap spring-incl. spring & rivet
8.3010	1	5176066	BAFFLE-engine oil filler & ventilator
8.3050	1	5112373	BREATHER-engine crankcase. Repl. 5171230
8.3070	1	1543853	CAP-engine oil filler-incl. gasket spring & rivet
8.3110	1	5114904	CLIP-crankcase ventilator breather pipe-repl. 5174091
8.3170	1	5173482	GASKET-crankcase breather
8.3200	1	5150900	GASKET-crankcase ventilator breather pipe
8.3230	1	1543857	GASKET-engine oil filler cap
8.3290	1	5114208	PIPE-crankcase ventilator breather-repl. 5189310, 5174070
8.3305	1	1543862	RIVET-engine oil filler cap-3/16 x 5/16
8.3350	1	5150147	STRAINER-engine oil filler tube

OIL LEVEL INDICATOR

8.3380	1	5184014	INDICATOR-engine oil level-dip stick
8.3390	1	5151430	ADAPTER-engine oil level indicator tube
8.3430	1	5153992	TUBE-engine oil level indicator-incl. nut

OIL PUMP

8.3440	1	5175983	PUMP-engine oil-w/integral idler gear
8.3450	1	5192108	GASKET SET
8.3470	1	5169193	BODY-engine oil pump-incl. bushing, pin & drive shaft. W/integral idler gear
8.3480	4	186627	BOLT-engine oil pump-pump to brg. cap 3/8-24 x 1
8.3490	4	186624	BOLT-engine oil pump cover-5/8-18 x 1-1/4
8.3505	1	186625	BOLT-engine oil pump gear-to support 3/8-18 x 7/8
8.3515	4	186627	BOLT-engine oil pump screen bracket-3/8-24 x 1
8.3520	2	5155710	BOLT-engine oil pump screen cover-5/16-24 x 1-1/8

8.3525	2	186677	BOLT-oil pressure regulators-to block 5/16-18 x 1
8.3530	1	5182208	BRACKET-engine oil pump screen-incl. long & short brackets
8.3530	1	5173135	BRACKET-engine oil pump screen-4-9/16 in. long
8.3530	1	5185347	BRACKET-engine oil pump screen-6-1/4 in. long
8.3550	2	5153147	BUSHING-engine oil pump drive shaft-long in pump body. Split type. .0610 ID, .7205 OD OD x 1-1/4
8.3550	1	5153154	BUSHING, engine oil pump drive shaft-short in pump cover.Split type .614 ID, .7205 OD x 11/16
8.3560	2	5153154	BUSHING-engine oil pump driven gear
8.3570	1	5156521	BUSHING-engine oil pump idler gear-.3132 ID, 1.1285 OD x 11/16
8.3590	1	5154251	COVER-engine oil pump-end. Incl. bushing
8.3590	1	5153311	COVER-engine oil pump-side
8.3600	1	5156955	COVER-engine oil pad
8.3610	1	5118302	COVER-engine oil pump screen-repl. 5153285, 5175611
8.3630	1	5154199	GASKET-engine oil pressure regulator-to block
8.3630	1	105456	GASKET-engine oil pressure regulator-relief valve plug-in pump. 7/8 annular
8.3650	1	5153313	GASKET-engine oil pump cover-side cover
8.3660	1	5151370	GASKET-engine oil pump pad
8.3680	1	5153617	GEAR-engine oil pump-driven. Incl. bushing
8.3680	1	5153260	GEAR-engine oil pump-drive
8.3690	1	5156528	GEAR-engine oil pump drive-gear driven, at pump. Oute.
8.3690	1	5156532	GEAR-engine oil pump drive-gear driven, on crankshaft
8.3700	1	5156683	GEAR-engine oil pump drive idler-incl. bushing. Gear driven pump
8.3705	2	103905	KEY-engine oil pump gear-in pump. 1/8 x 5/8 Woodruff
8.3705	1	124549	KEY-engine oil pump gear-on crankshaft 3/16 x 3/4 Woodruff
8.3720	1	5176035	PIN-engine oil pump body-.3115 dia. x 3/4
8.3750	2	5152613	PLUG-oil pressure regulator-on pump 7/8-18, hex hd.
8.3750	1	5156816	PLUG-oil pressure regulator-regulator on blk.
8.3760	1	5159383	REGULATOR-oil pressure-incl. valve, spring & plug
8.3770	1	5153284	RETAINER-engine oil pump screen
8.3780	1	5153286	SCREEN-engine oil pump
8.3800	1	5153309	SHAFT-engine oil pump drive gear
8.3810	1	5153310	SHAFT-engine oil pump driven gear
8.3825	AR	5176119	SHIM-engine oil pump brg. cap-.005
8.3840	1	5155765	SPRING-oil pressure regulator-pump relief-part of oil pump
8.3840	1	5156815	SPRING-oil pressure regulator-pressure regulator-on block
8.3870	1	5169195	SUPPORT-engine oil pump idler gear
8.3880	1	5153247	VALVE-oil pressure regulator-pump relief-part of oil pump
8.3880	1	5156819	VALVE-oil pressure regulator-pressure regulator-on block.
8.3890	1	5169197	WASHER-engine oil pump idler gear-1-1/2 OD, 21/64 in dia. hole
8.3890	1	5175944	WASHER-engine oil pump idler gear-7/8 OD, 21/64 in. dia. hole

OIL PRESSURE VALVE

8.3920	1	5187315	VALVE-engine oil pressure-regulator w/full flow filter system. Prior to/chassis #4141
8.3920	1	5575088	VALVE-engine oil pressure-w/full flow/filter system. Effective w/chassis #4141
8.3930	1	5187316	GASKET-engine oil pressure valve-w/full flow filter system. Prior to chassis #4141
8.3930	1	5575086	GASKET-engine oil pressure valve-w/full flow/filter system. Effective w/chassis #4141
8.3950	1	5187313	PLUG-engine oil pressure valve-w/full flow filter system. Prior to chassis #4141
8.3950	1	5126686	PLUG-engine oil pressure valve-w/full flow/filter system. Effective w/chassis #4141
8.3960	1	5187314	SPRING-engine oil pressure valve-w/full flow filter system. Prior to chassis #4141
8.3960	1	5575087	SPRING-engine oil pressure valve-w/full flow/filter system. Effective w/chassis #4141

OIL FILTER

8.3990	1	5154462	BOLT-engine oil strainer retainer-strainer hsg. to adapter stud. 7/16-20 x 2 w/single exhaust system.
8.4000	1	5189122	BRACKET-engine oil filter-eff. w/chassis #1306. Repl. 5154293, 5154194 prior to 1306

NOTE: When replacing 5154293, 5154194 by 5189122 it is also necessary to order
5189121 plate shown in group 8.4228

8.4030	1	5572392	ELEMENT-engine oil filter-incl. gasket
8.4030	1	5576067	ELEMENT-engine oil filter-w/sealing gaskets. W/full flow filter system (Repl. 5573014)
8.4040	1	5159423	ELEMENT-engine oil strainer
8.4110	1	1504107	GASKET-engine oil filter housing-filter housing to adapter
8.4110	1	5571024	GASKET-engine oil filter housing-to adapter w/full flow filter system
8.4130	1	5572799	GASKET-engine oil filter housing stud-stud to filter housing
8.4130	1	0644446	GASKET-engine oil filter housing stud-stud to strainer housing. W/single exhaust system
8.4150	1	5574130	GASKET-engine oil filter stud-center stud. W/full flow filter system. Prior to/chassis #4141
8.4150	1	5573960	GASKET-engine oil filter stud-center stud. W/full flow filter system. Effective W/chassis #4141
8.4160	1	0644444	GASKET-engine oil strainer housing-to adapter retainer
8.4180	1	2402032	HOUSING-engine oil filter-shell.
8.4180	1	5571745	HOUSING-engine oil filter-shell. W/full flow filter system
8.4190	1	0644443	HOUSING-engine oil strainer
8.4225	1	5054205	NUT-engine oil filter housing-housing stud to adapter. 1-1/8-12 ext. thrd., 5/8-18 int. thrd. x 1-1/16, sleeve type
8.4228	1	5189121	PLATE-engine oil filter-bracket-for use w/5189122 bracket.
8.4243	1	5179197	RING-engine oil filter spring retainer. .063 wide dia. for use w/5187307 center stud. W/full flow filter system-early type
8.4243	1	5120602	RING-engine oil filter spring retainer. .093 wide. For use w/5120740 center stud. W/full flow filter system. Later type
8.4247	1	5187309	RETAINER-engine oil filter spring-w/full flow filter system
8.4250	1	5153046	RETAINER-engine oil strainer housing-to adapter. 7/16-20 int. thrd. x 8-29/32
8.4275	1	5187310	SEAL-engine oil filter spring retainer-W/full flow filter system
8.4275	1	5187308	SPRING-engine oil filter element-W/full flow filter system
8.4325	1	5573089	SPRING-engine oil filter retaining stud
8.4330	1	1503671	STUD-engine oil filter-filter hsg. to adapter 1/2-20 int. thrd., 5/8-18 ext. thrd. x 21-9/16 in. long.
8.4330	1	5120740	STUD-engine oil filter - center. W/.093 ring groove. 5/8-18 x 11.96 W/full flow filter system. (Repl. 5187307)
8.4350	1	5154538	WASHER-engine oil filter-element spring. W/full flow filter system.
8.4360	1	5150568	WASHER-engine oil strainer bolt-29/64 ID x 3/4 OD.

OIL COOLER

8.4370	1	8514600	COOLER-oil, engine
8.4380	1	5166540	ADAPTER-engine oil cooler
8.4380	1	5123635	ADAPTER-engine oil cooler-w/full flow filter system
8.4390	4	427558	BOLT-engine oil cooler adapter-3/8-16 x 1-3/8
8.4390	2	186679	BOLT-engine oil cooler adapter-3/8-16 x 1-1/4
8.4390	1	180130	BOLT-engine oil cooler adapter-3/8-16 x 2
8.4400	6	186650	BOLT-engine oil cooler housing-5/16-18 x 4-3/4
8.4400	2	186624	BOLT-engine oil cooler housing-5/16-18 x 1-1/4
8.4400	2	180083	BOLT-engine oil cooler housing-5/16-18 x 1-1/2
8.4400	1	5188097	COVER-engine oil cooler housing-at housing by-pass hole
8.4408	1	5115247	ELBOW-engine oil cooler-inlet. W/full flow filter system
8.4410	1	5154215	GASKET-engine oil cooler-cooler to adapter
8.4410	1	5153902	GASKET-engine oil cooler-hsg. by-pass cover
8.4420	2	5150154	GASKET-engine oil cooler adapter
8.4430	1	5150155	GASKET-engine oil cooler housing-to cooler
8.4430	1	5163760	GASKET-engine oil cooler housing-inlet elbow
8.4440	1	5156768	GASKET-engine oil cooler valve-adapter plug-at by-pass valve
8.4440	1	2157781	GASKET-engine oil cooler valve-adapter plug. W/full flow filter system
8.4450	1	5184456	HOUSING-engine oil cooler. Repl. 5173709
8.4465	1	5177772	PLUG-engine oil cooler-adapter w/full flow filter system
8.4465	1	143968	PLUG-engine oil cooler-inlet. w/4-14 sq. socket hd.
8.4470	1	5156782	PLUG-engine oil cooler by-pass valve spring-5/8-18 hex. hd.
8.4470	1	5154204	PLUG-engine oil cooler by-pass valve spring-restriction. 1/8 pipe thrd. x 1-13/16
8.4470	1	117244	PLUG-engine oil cooler by-pass valve spring-hsg. 1/4 in. sq. hd.
8.4480	1	5152904	SPACER-engine oil cooler adapter-13/32 ID x 7/8 OD x .024 thk.
8.4490	1	5152381	SPRING-engine oil cooler by-pass valve
8.4490	1	5177778	SPRING-engine oil cooler by-pass valve-w/full flow filter system
8.4500	1	5177777	VALVE-engine oil cooler-by-pass. W/full flow filter system
8.4500	1	5156769	VALVE-engine oil cooler-by-pass

OIL LINES

8.4510	1	2244072	LINE-oil, air compressor-outlet
8.4515	AR	2224976	LINE-oil, blower drive support brg.-1/4OD
8.4520	1	5154452	LINE-oil, oil filter-dev. length 11-3/8 return
8.4530	AR	2224976	LINE-oil gauge-at block. W/full flow filter system 1/4 OD x .035 thk., 25 ft. lg. C.T.L.
8.4530	1	5185767	LINE-oil, oil gauge-at block
8.4650	1	137413	CONNECTOR-oil gauge oil line-to manifold 1/4 x 1-1/8
8.4650	1	137405	CONNECTOR-oil gauge oil line-1/4 x 1/8 inv. fld. to block
8.4650	1	118748	CONNECTOR-oil gauge oil line-inlet hose 1/4-20 x 3/8 pipe thrd.
8.4660	1	137421	ELBOW-air compressor oil line-blower drive oil line to brg. support tube. 1/4 x 1/8 pipe
8.5660	1	9509927	ELBOW-air compressor oil line-inlet hose 1/8-27 x 45 degrees prior to 1566
8.4667	1	137421	ELBOW-oil gauge oil line-1/4-1/8, 90 degrees
8.4690	1	5153627	GASKET-oil pump pipe-inlet pipe
8.4690	1	5151370	GASKET-oil pump pipe-outlet pipe 1-7/8 in. long. At block
8.4690	1	5153313	GASKET-oil pump pipe-outlet pipe 2-1/8 in. long. At pump
8.4690	1	5167380	GASKET-oil pump pipe-inlet pipe flange to screen cover
8.4723	2	2270521	GROMMET-air compressor oil line-oil return line
8.4725	1	2279797	HOSE-air compressor oil line-inlet
8.4740	1	2297962	HOSE-oil gauge oil line-to sender manifold
8.4770	1	5185349	PIPE-oil pump-inlet. Aprx. dev. lgh. 22-1/4
8.4770	1	5159387	PIPE-oil pump-outlet
8.4805	2	2244073	RETAINER-air compressor oil return line grommet
8.4807	2	057108	SPACER-oil pressure line-13/32 ID x 5/8 OD
8.4830	1	2193392	TEE-blower drive support brg. pipe-1/4 pipe

MANIFOLD

8.4880	1	5186689	MANIFOLD-exhaust. W/single exhaust system
8.4880	2	5113368	MANIFOLD-exhaust/w/dual exhaust system
8.4880	2	5111369	CLAMP-engine manifold-stud. W/dual exhaust system
8.4960	1	5120223	GASKET-engine manifold-intermediate
8.4960	2	5120224	GASKET-engine manifold-front and rear
8.5110	7	5112899	STUD-engine manifold-7/16-14-20 x 1-15/16
8.5110	2	2103383	STUD-engine manifold-flange. 5/8-11-18 x 3-1/16
8.5150	7	5188273	WASHER-engine manifold stud-7/16 ID, 1-1/4 OD repl. 5150198. 5 req'd. W/dual exhaust

ACCELERATOR AND RODS

8.5174	1	148403	BEARING-accelerator control lever-27 rollers .755 in. long. Stpd B-812. Part of 2193239, 2194941 lever
8.5174	1	189560	BEARING-accelerator control lever-.3125 ID x .4995 OD. Stpd. B-57. Part of 2193239 lever
8.5187	2	2294344	BELLOWS-accelerator control rubber. Sliding end
8.5188	2	2095357	BOLT-accelerator bellcrank bracket-bracket to frame. 5/16-24 x 1-3/8
8.5208	1	2192352	BRACKET-accelerator bellcrank lever-at engine
8.5208	1	2298785	BRACKET-accelerator bellcrank lever-front
8.5275	1	2214457	BRACKET-stop, accelerator pedal-plate
8.5278	1	2295527	BRACKET-support, accelerator control conduit-at engine compt. Prior to 1966
8.5278	1	2356840	BRACKET-support, accelerator control conduit at engine compt. Eff. w/1966
8.5293	1	093978	BUSHING-accelerator bellcrank-.5025 ID x .629 OD x 1
8.5293	2	064079	BUSHING-accelerator bellcrank-5/16 ID x .4395 OD x 5/16
8.5295	1	2072925	BUSHING-accelerator control lever-.375 ID x .501 OD x 13/32 in. long. Part of 2193239, 2194941 lever
8.5310	1	699291	BUSHING-accelerator pedal-3/8 ID x 1/2 OD x 7/16 in. long
8.5310	2	2132383	BUSHING-accelerator pedal-3/8 ID x 1/2 OD x 3/4 in. long
8.5322	1	2295265	CABLE-accelerator control
8.5327	2	2240916	CLAMP-accelerator control conduit-lock, sliding end
8.5328	2	178303	CLAMP-accelerator control dust shield or dust bellows. 7/8 dia.
8.5329	1	120524	CLIP-accelerator control conduit-7/16" dia., w/1/4" hole.
8.5340	1	055390	CLIP-accelerator pedal pad-steel-3 in. long
8.5345	1	2995363	CONDUIT-accelerator control-front
8.5345	2	2295349	CONDUIT-accelerator control-inter.
8.5345	1	2319344	CONDUIT-accelerator control-rear

8.5345	1	2294450	CONDUIT-accelerator control-engine compartment
8.5355	1	2253521	CONNECTOR-accelerator control conduit-prior to chassis #1301
8.5348	2	2246695	CONNECTOR-accelerator control conduit-1-3/16 in. long, flexible
8.5348	2	2291173	CONNECTOR-accelerator control conduit-2-3/4 in. long, flexible
8.5352	1	2025796	COVER-accelerator bellcrank lever bearing-washer. 33/64 ID, 1 OD
8.5354	2	2194155	END-accelerator control lever rod-on models w/o gov. control rod & return spring
8.5348	1	2294347	END-sliding, accelerator control-front
8.5355	1	2296774	END-sliding, accelerator control-rear
8.5370	8	2288900	GROMMET-accelerator rod or conduit-conduit
8.5405	1	2294087	LEVER-accelerator bellcrank-incl. bushing
8.5410	1	2194941	LEVER-accelerator control-crossshaft incl. 1 bearing & 1 bushing. On models w/o gov. control rod or return spring early type
8.5410	1	2193239	LEVER-accelerator control-cross shaft. Incl. 2 bearings & 1 bushing. W/models having gov. control rod & return spring. W/2 equal length arms
8.5410	1	2318670	LEVER-accelerator control-crossshaft incl. 2 bearings & 1 bushing. W/models having gov. control rod & return spring w/1 long & 1 short arm
8.5446	2	2240917	LOCK-accelerator control sliding end-cap
8.5448	AR	2224544	LOOM-accelerator control rod-control cable clip. 5/16 ID. 25 ft. roll
8.5465	AR	2246694	NUT-accelerator control conduit.
8.5477	2	2294345	NUT-mounting, accelerator control unit
8.5480	1	2030291	PAD-accelerator pedal-tread
8.5500	1	2203720	PEDAL-accelerator-incl. bushings & wear plate
8.5505	1	077640	PIN-accelerator control rod yoke-bell crank rod yoke
8.5515	1	2087093	PIN-accelerator control lever-bell crank
8.5515	1	2192353	PIN-accelerator control lever-fulcrum
8.5533	1	138084	PIN-accelerator control sliding end yoke-3/8 in. dia. x 1-3/32 in. long
8.5533	1	677563	PIN-accelerator control sliding end yoke
8.5564	1	2296628	PLATE-support, accelerator control rod-accelerator control conduit
8.5565	1	2092439	PLATE-wear, accelerator pedal
8.5580	1	2293372	REST-hell, accelerator
8.5600	1	2096511	ROD-accelerator control-pedal to bell crank lever. Incl. yokes
8.5600	1	2194943	ROD-accelerator control-lever-at engine on models w/o gov. control rod & return springs
8.5615	1	NPN	SEAL-accelerator control cable-hose at rear sliding end. Proc. Loc.
8.5640	1	2294089	SHAFT-accelerator pedal-3/8 x 4 in. long to heel rest
8.5659	2	2018651	SPACER-accelerator bellcrank lever-17/32 ID x 3/4 OD x 1/8
8.5685	2	2237118	SPACER-accelerator throttle control bracket-steel
8.5720	1	294721	SPRING-accelerator return-lever
8.5750	1	2335777	STOP-accelerator pedal. Bolt 1/4-28 x 1-3/8
8.5777	1	2294346	SWIVEL-accelerator control sliding end-front
8.5777	1	2296773	SWIVEL-accelerator control sliding end-rear
8.5803	1	2259430	YOKE-accelerator control sliding end-rear
8.5803	1	075911	YOKE-accelerator control sliding end-front

THROTTLE CONTROL

8.5820	1	2296494	CONTROL-throttle-hand. At dash
8.5825	2	2086969	BOLT-throttle control bracket-to floor 1/4-28 x 1-1/4. Flat rd. hd.
8.5825	1	180120	BOLT-throttle control bracket-3/8-16 x 3/4
8.5835	1	2148702	BRACKET-throttle control-lower. 1-1/2 in. wide x 1-13/16 in. long
8.5835	1	2304203	BRACKET-throttle control-1-3/4 x 2 in. wide with 1 17/32 in. dia. hole, 2 9/32 in. dia. holes. Under drivers floor board
8.5835	1	2379883	BRACKET-throttle control-stop. W/gusset. Welded bolt 1/4-28 x 5/8 in. hex.
8.5837	1	2296630	CLAMP-throttle control cable
8.5855	1	2148703	LEVER-throttle control
8.5871	1	138083	PIN-throttle control yoke-1/4 in. dia. x 51/64 in. long
8.5895	1	116383	YOKE-throttle control-1/4-28 adj.

CHOKE VALVE AND HOUSING

8.5950	1	2090555	VALVE-choke-incl. retainer, seal & washer
8.5955	1	2191857	COLLAR-choke valve shaft
8.5960	1	2090560	GASKET-choke valve housing
8.5965	1	2191859	HOUSING-choke valve
8.5967	1	118831	PLUG-choke valve housing
8.5970	1	2090558	RETAINER-choke valve seal

8.5975	1	2090557	SEAL-choke valve
8.5980	1	2191856	SHAFT-choke valve
8.5985	1	2090235	SPRING-choke valve
8.5990	1	2191858	STOP-choke valve
8.5995	3	061553	STUD-choke valve housing-5/16-18-24 x 1-7/32
8.5995	1	066325	STUD-choke valve housing-5/16-18-24 x 1-3/8
8.6000	1	2090559	WASHER-choke valve seal-17/64 ID x 1-1/4 OD

GOVERNOR CONTROL

8.6240	1	2216334	LINK-governor control-return spring
8.6270	1	2136576	PIN-swivel, link-to gov. control rod 1-3/8 in. long
8.6273	1	2330240	ROD-governor control-gov. lever to bellcrank w/pin at one end & eye at other end
8.6284	1	3687550	SPRING-governor control rod-return
8.6295	2	2160799	WASHER-swivel pin & link-gov. control rod & swivel pin

FRONT AND REAR BUMPER

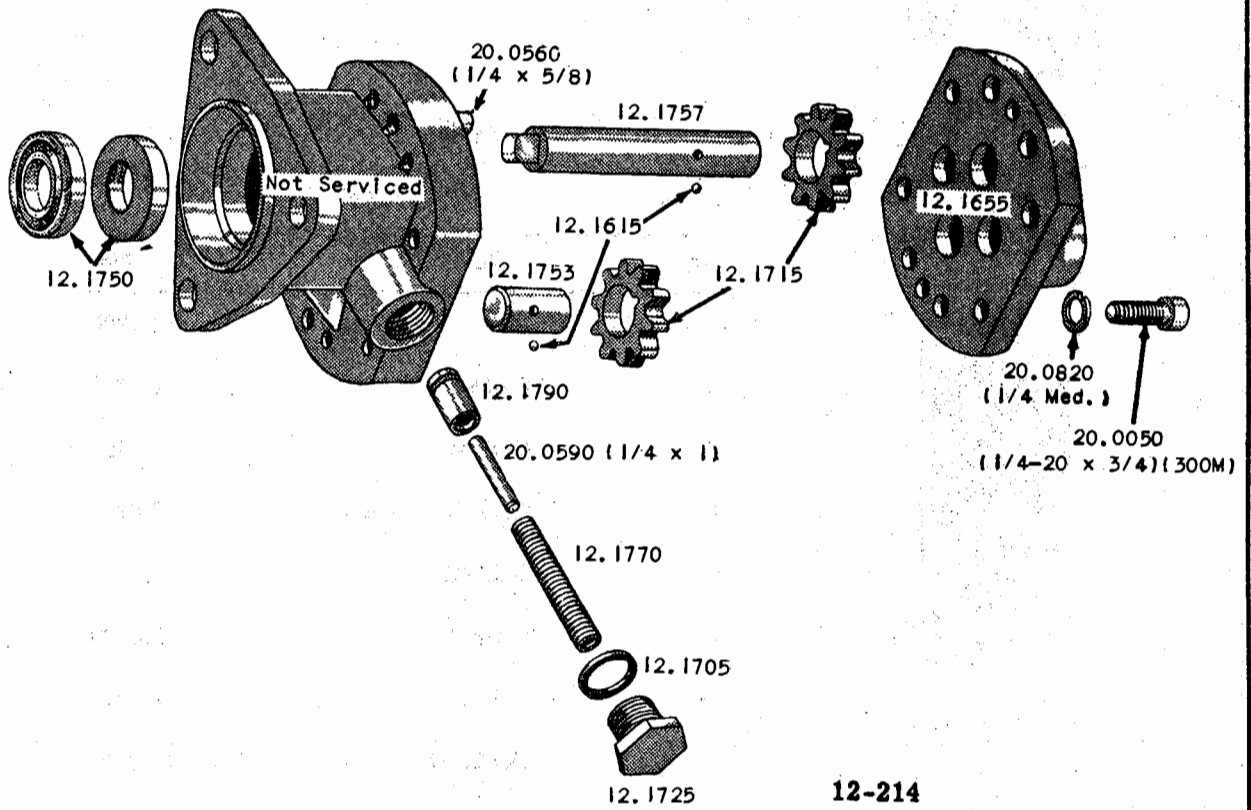
11.0360	1	2295282	BAR-face, bumper--front bumper. Bolt 1/2-13 x 1-1/2 rib neck.
11.0360	1	2295263	BAR-face, bumper-rear bumper. Bolt 1/2-13 x 1-1/2 rib neck.
11.0365	1	2295823	BAR-bumper support-front bumper. Upper.
11.0365	1	2295824	BAR-bumper support-lower.
11.0365	1	2295863	BAR-bumper support-rear bumper. RH.
11.0365	1	2295864	BAR-bumper support-rear bumper. LH.
11.0365	1	2295866	BAR-bumper support-rear bumper. Center.
11.0370	4	2334207	BOLT-bumper-back bar to face bar, 1/2-13 x 1-1/2 chr. car ribbed neck.
11.0370	AR	2308601	BOLT-bumper-extension, plate & impact bar. 5/16-18 x 3/4 ribbed neck carr.
11.0380	4	2334277	BOLT-bumper, guard to impact bar.
11.0400	3	2295821	BRACKET-bumper-front bumper. Upper to lower.
11.0400	2	2298943	BRACKET-bumper-front bumper extension-front.
11.0400	2	2299232	BRACKET-bumper-front bumper extension-rear.
11.0400	1	2303798	BRACKET-bumper-rear bumper extension-LH. Incl. 2 bolts. Prior to chassis #3866.
11.0400	1	2303782	BRACKET-bumper-rear bumper extension-RH. Support.
11.0400	1	2303783	BRACKET-bumper-rear bumper extension-LH. Support. Prior to chassis #3866.
11.0400	1	2303797	BRACKET-bumper-rear bumper extension-RH. Bulkhead.
11.0467	1	2296581	EXTENSION-bumper-RH front.
11.0467	1	2296607	EXTENSION-bumper-LH front.
11.0467	1	2303022	EXTENSION-bumper-RH rear.
11.0467	1	2303023	EXTENSION-bumper-LH rear. Prior to chassis #3866.
11.0467	1	2360413	EXTENSION-bumper-LH rear. Effective w/chassis #3866.
11.0469	1	2298427	GRILLE-bumper extension-LH rear.
11.0480	2	2298703	GUARD-bumper-front bumper. Bolt 1/2-13 x 1-1/2.
11.0495	AR	2299589	INSULATOR-bumper extension-front & rear bumper.
11.0495	2	2357685	INSULATOR-bumper extension-front. Eff. w/1966.
11.0510	2	2295874	PLATE-bumper-rear extension to face bar splice. 1 reqd. after chassis #3865.
11.0512	1	2357938	PLATE-baffle, bumper extension-eff. w/1966.
11.0567	AR	2298428	STRIP-bumper extension grille retaining-LH rear. 5-3/4 in. long.
11.0567	AR	2298429	STRIP-bumper extension grille retaining-LH rear. 25-1/4 in. long w/five 7/32 holes.
11.0567	1	2360737	STRIP-bumper extension grille retaining-lower. Rear bumper. 25-1/4 w/three .218 holes and fan. .312 holes. Effective w/chassis #3866.

AXLE BUMPER

11.0590	2	2313926	BUMPER-axle-front. Eff. w/chassis. Repl. 2105578.
11.0590	2	2105578	BUMPER-axle-rear axle. Prior to chassis #1001.
11.0590	2	2313926	BUMPER-axle-rear. Eff. w/chassis #1001.

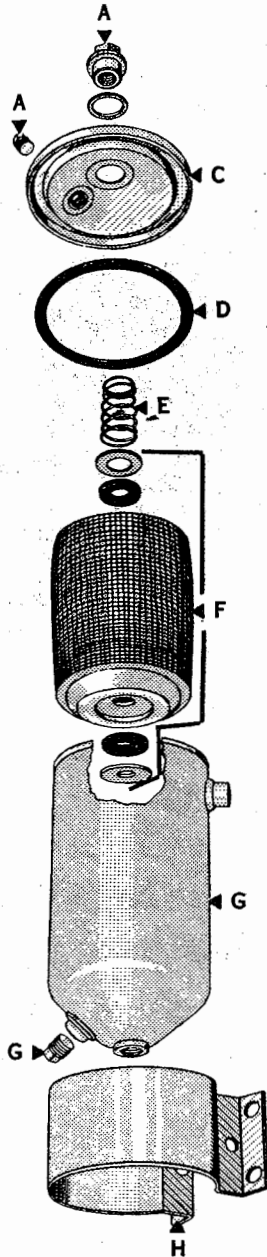
IMPORTANT: Refer to your Final Vehicle Record for Assemblies and Special Equipment (SL's) used on each vehicle.

FUEL



FUEL PUMP

FUEL



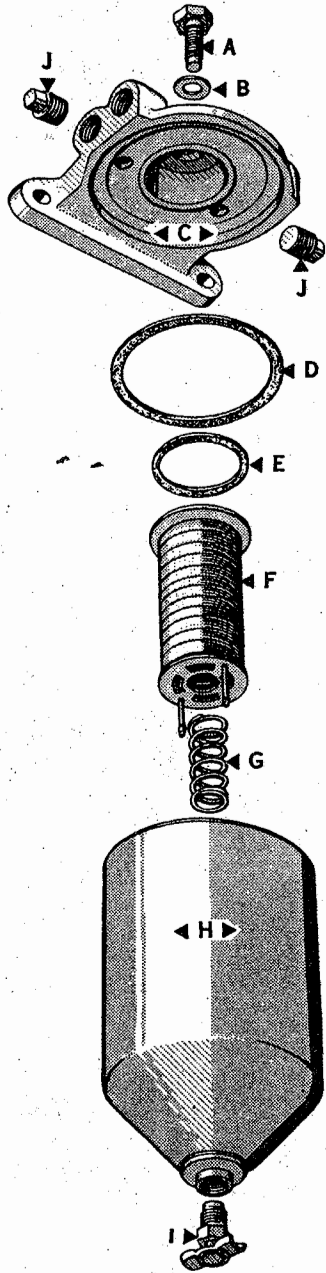
FUEL FILTER
(On Engine)

Key	Description	Group No.
A	NUT	12.0980
B	GASKET - Nut	12.0920
C	COVER	12.0860
D	GASKET - Cover	12.0910
E	SPRING	12.1050
F	ELEMENT	12.0880
G	SHELL	12.1010
H	BRACKET	12.0850

12-109

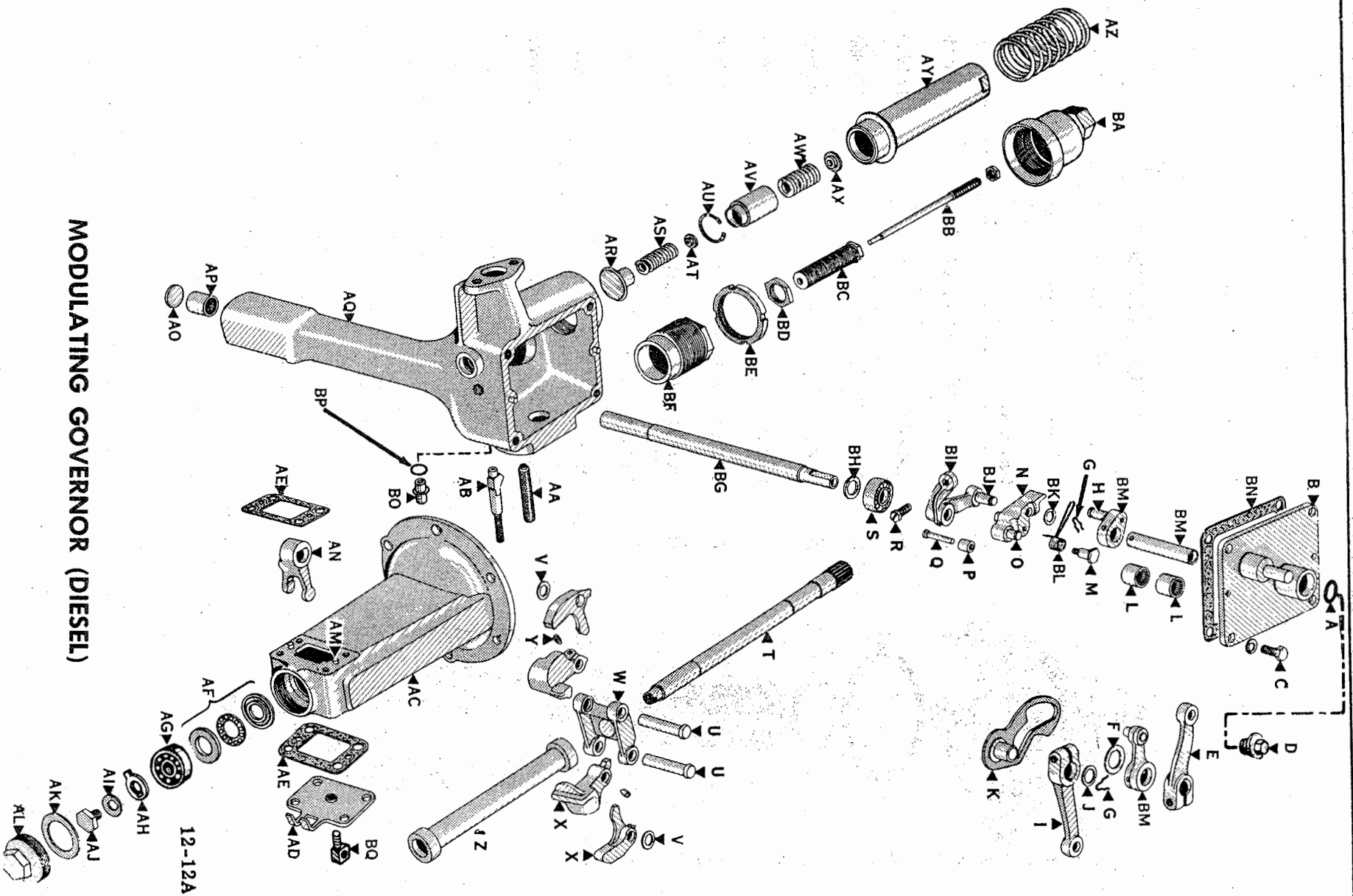
FUEL

FUEL FILTER
(ON BLKHD.)



Key	Description	Group No.
A	SCREW (3/8-24 x 1-7/16)	12.1000
B	GASKET	12.0920
C	COVER	12.0860
D	GASKET	12.0910
E	GASKET	12.0930
F	ELEMENT (Filter on frame)	12.0880
G	SPRING (Filter on frame)	12.1050
H	SHELL (Filter on frame)	12.1010
I	COCK	12.0855
J	PLUG	12.0990

12-106



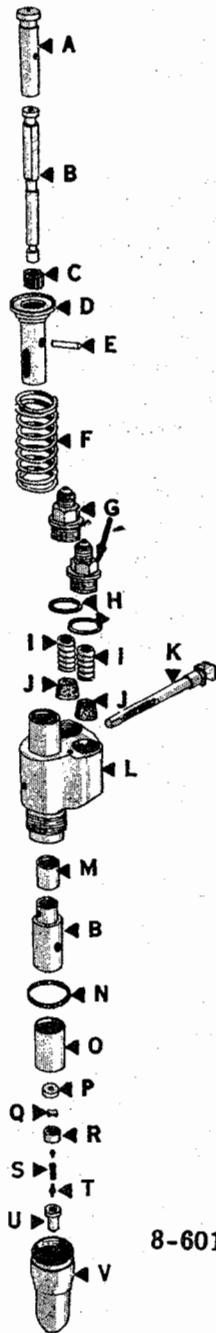
MODULATING GOVERNOR (DIESEL)

KEY TO MODULATING GOVERNOR (DIESEL)

Key	Description	Group No.	Key	Description	Group No.
A	Washer—packing	12.5730	AI	Washer (.313" I.D. x 35/64" O.D.)	12.5690
B	Cover	12.5230	AJ	Screw—bearing retainer	12.5570
C	Bolt (1/4"-20 x 5/8")	12.5160	AK	Gasket—bearing cap	12.5310
D	Fitting (1/8" Straight)	20.0335	AL	Cap	12.5200
E	Lever—short	12.5400	AM	Pin—dowel	12.5420
F	Retainer	12.5510	AN	Fork	12.5270
G	Spring—retainer (hair pin type)	12.5660	AO	Plug (3/4" plain, steel)	20.0620
H	Pin (No. 1 x 7/8", taper)	20.0600	AP	Bushing—lower	12.5178
I	Lever—long	12.5400	AQ	Housing—less operating shaft	12.5350
J	Washer (25/64" I.D. x 5/8" O.D.)	12.5670	AR	Cap—low speed spring	12.5190
K	Cam—hand lever	12.5180	AS	Spring—low speed	12.5660
L	Bearing—throttle shift	12.5140	AT	Seat—low speed	12.5590
M	Bolt—torsion spring	12.5175	AU	Ring—plunger	12.5523
N	Lever—less spring	12.5380	AV	Plunger—high speed	12.5490
O	Pin—diff. lever	12.5440	AW	Spring—high speed	12.5660
P	Roller	12.5525	AX	Seat—high speed	12.5595
Q	Pin—roller	12.5440	AY	Plunger—high speed	12.5490
R	Screw (1/4"-28 x 3/4")	12.5540	AZ	Spring—high speed	12.5660
S	Bearing—upper	12.5130	BA	Cover—end	12.5235
T	Shaft—less carrier	12.5630	BB	Screw (1/4"-20 x 5-3/8")	12.5540
U	Pin—governor weight	12.5480	BC	Screw (1/2"-20 x 2-11/32")	12.5540
V	Washer (.386 X 11/16 OD)	12.5690	BD	Nut (1/4"-20)	12.5415
W	Carrier— less shaft & weights	12.5210	BE	Nut—lock screw	12.5415
X	Weight Set	12.5740	BF	Screw (1-1/2"-18 x 1-11/16")	12.5540
Y	Screw—set	12.5580	BG	Shaft	12.5610
Z	Riser	12.5520	BH	Washer (.431" I.D. x 3/4" O.D.)	12.5700
AA	Screw	12.5550	BI	Lever—operating	12.5390
AB	Cam (incl. cotter & screw)	12.5180	BJ	Pin—operating lever	12.5460
AC	Housing—less carrier	12.5360	BK	Washer (.313" I.D. x 35/64" O.D.)	12.5690
AD	Cover	12.5260	BL	Spring (w/small plunger)	12.5660
AE	Gasket	12.5340	BM	Shaft	12.5620
AF	Bearing—thrust	12.5150	BN	Gasket—Cover to hsg.	12.5280
AG	Bearing—end	12.5150	BO	Sleeve—cam	12.5645
AH	Washer (21/64" I.D. x 3/4" O.D.)	12.5720	BP	Seal—cam sleeve rubber	12.5585
			BQ	Elbow (at gov. hsg.)	12.5265

FUEL

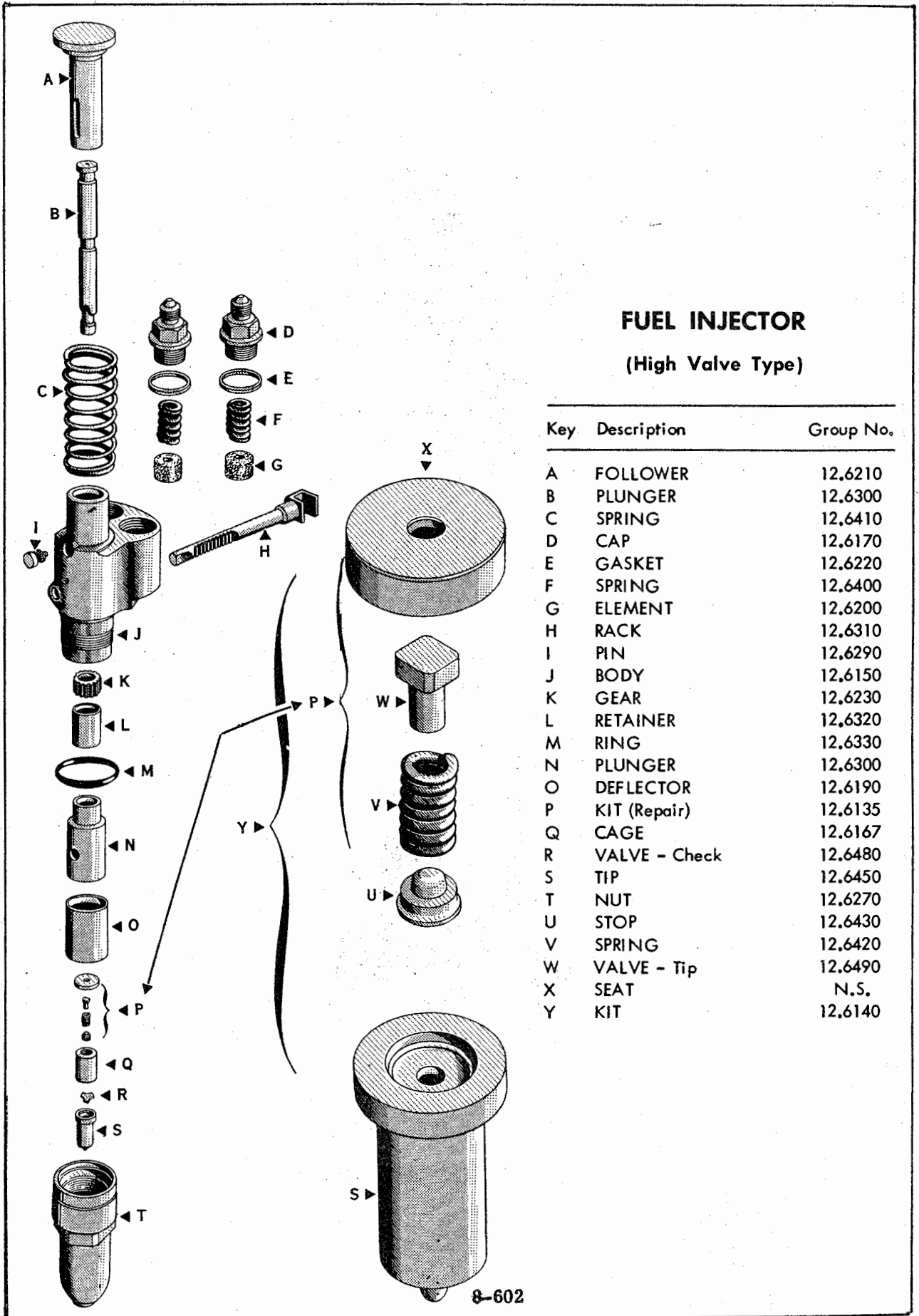
FUEL INJECTOR
(5226710-5227935)



Key	Description	Group No.
A	FOLLOWER	12.6210
B	PLUNGER	12.6300
C	GEAR	12.6230
D	GUIDE (N.S. USE 5228104)	12.6210
E	PIN	12.6280
F	SPRING	12.6410
G	CAP	12.6170
H	GASKET	12.6220
I	SPRING	12.6400
J	ELEMENT	12.6200
K	RACK	12.6310
L	BODY	12.6150
M	RETAINER	12.6320
N	RING	12.6330
O	DEFLECTOR	12.6190
P	SPACER	12.6380
Q	VALVE	12.6480
R	VALVE	12.6490
S	SPRING	12.6420
T	STOP	12.6430
U	TIP	12.6450
V	NUT	12.6270

Injector Overhaul Kit	Group	12.6130
Injector Valve Repair Kit	Group	12.6135
Injector Spray Tip & Valve Repair Kit	Group	12.6140

FUEL

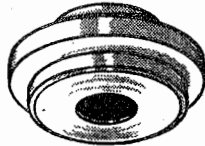


FUEL INJECTOR (High Valve Type)

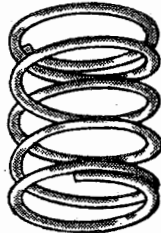
Key	Description	Group No.
A	FOLLOWER	12.6210
B	PLUNGER	12.6300
C	SPRING	12.6410
D	CAP	12.6170
E	GASKET	12.6220
F	SPRING	12.6400
G	ELEMENT	12.6200
H	RACK	12.6310
I	PIN	12.6290
J	BODY	12.6150
K	GEAR	12.6230
L	RETAINER	12.6320
M	RING	12.6330
N	PLUNGER	12.6300
O	DEFLECTOR	12.6190
P	KIT (Repair)	12.6135
Q	CAGE	12.6167
R	VALVE - Check	12.6480
S	TIP	12.6450
T	NUT	12.6270
U	STOP	12.6430
V	SPRING	12.6420
W	VALVE - Tip	12.6490
X	SEAT	N.S.
Y	KIT	12.6140

8-602

FUEL



12.6143



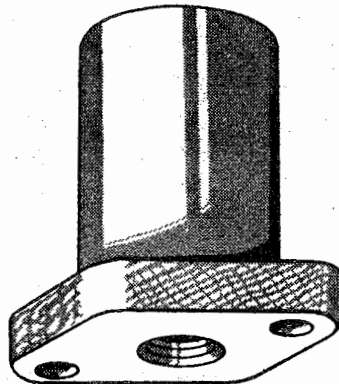
12.6425



12.6295



12.6325

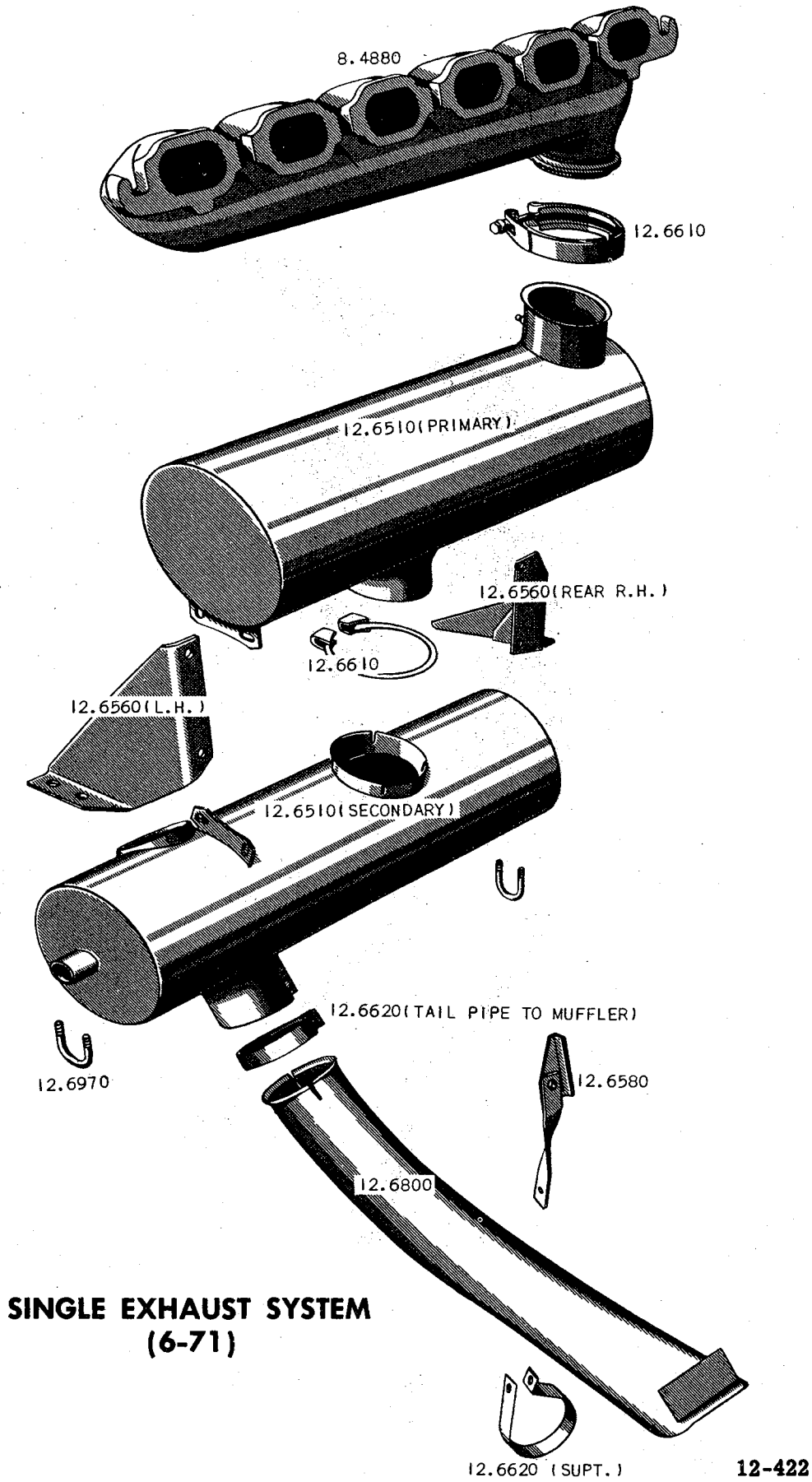


12.6187

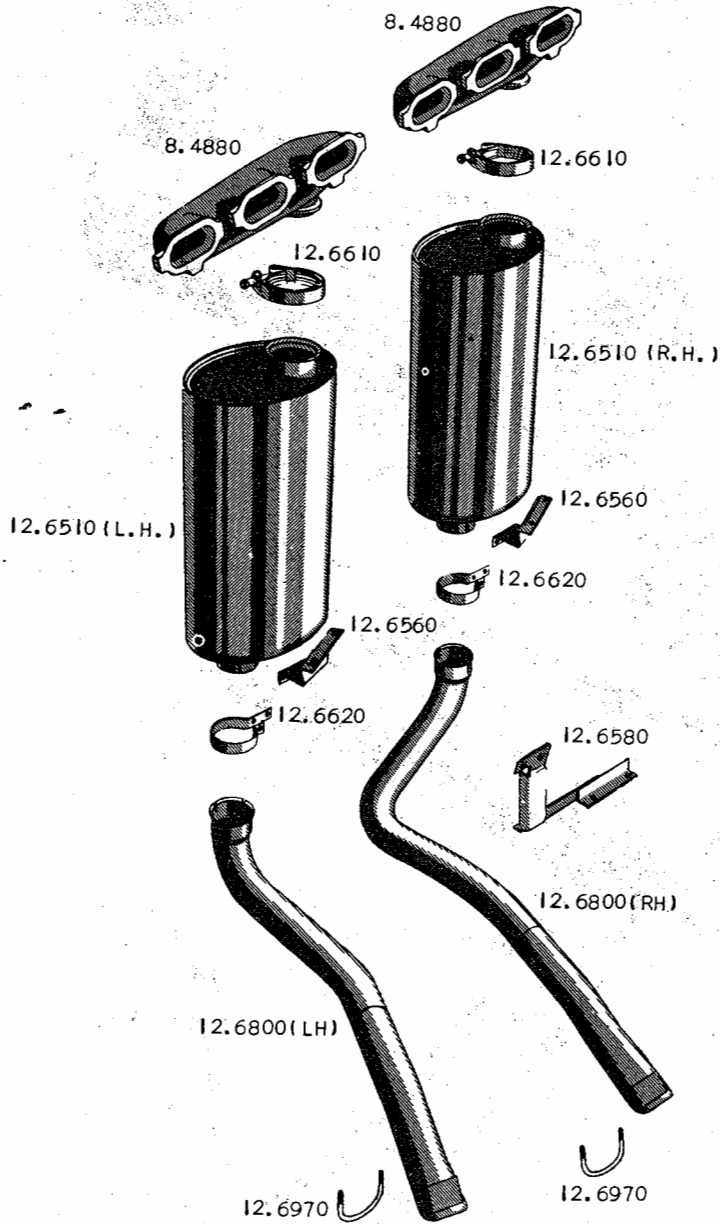
8-1101

INJECTOR CONTROL AIR CYLINDER

FUEL



FUEL



12.421

DUAL EXHAUST SYSTEM
(6-71)

FUEL TANK

12.0010	1	2294466	TANK-fuel-140 gal. Incl. cap.
12.0030	AR	2224716	ANTI-SQUEAK-fuel tank-1/8 x 1-1/2. 3 ft. piece.
12.0085	1	2321506	BRACKET-fuel tank valve-w/check valve.
12.0110	1	850490	CAP-fuel tank-vent. tube. Incl. gasket & ret.
12.0120	1	072541	COVER-fuel tank-gauge opening.
12.0125	1	2212229	ELBOW-fuel tank vent line-to filler neck.
12.0145	2	1516395	GASKET-fuel tank cover-fuel gauge opening.
12.0150	1	850443	GASKET-fuel tank filler cap.
12.0165	1	2080440	GASKET-fuel tank ventalarm.
12.0185	1	2294549	LINE-fuel tank vent. or whistle-3/4 OD. Vent.line.
12.0185	AR	2335012	LINE-fuel tank vent. or whistle-whistle line. 1/2 OD., .049 wall, 25 ft. long, copper, CTL.
12.0188	AR	2224546	LOOM-fuel tank vent. or whistle line-w/whistle line. 25 ft. CTL.
12.0188	AR	2224549	LOOM-fuel tank vent. or whistle line-vent. line. 3/4 ID. 25 ft. CTL.
12.0190	1	2294473	NECK-filler, fuel tank--incl. cap, gasket & ret.
12.0270	1	850442	RETAINER-fuel tank filler neck cap gasket. Repl. 850551.
12.0360	5	2294901	STRAP-fuel tank-incl. anti-squeak.
12.0370	4	2294904	SUPPORT-fuel tank.
12.0370	1	2297060	SUPPORT-fuel tank-outer.
12.0402	1	2183361	U BOLT-fuel tank valve-check valve to bulkhead.
12.0405	1	2321090	VALVE-check, fuel tank-in whistle line.
12.0415	1	2294370	VENTALARM-fuel tank.
12.0417	1	2241931	WHISTLE-fuel line.

FUEL LINES

12.0420	AR	2224979	LINE-fuel-3/8 OD. copper. Repl. R 31096.
12.0420	8	5151121	LINE-fuel-injector to fuel manifold.
12.0420	1	2194936	LINE-fuel-fuel manifold return. Used w/fuel manifold mtd. on outside of cyl.head.
12.0420	1	2389983	LINE-fuel-fuel outlet manifold to junction bracket. Used w/manifold integral w/cyl.hd.
12.0433	2	180081	BOLT-fuel line bracket-junction bracket. At air compressor. 5/16-18 x 1-1/2 hex hd. Repl. 062012.
12.0440	1	2194935	BRACKET-fuel line-line to flywheel hsg. clip.
12.0450	1	2192584	BRACKET-fuel line junction.
12.0450	1	2296552	BRACKET-fuel line junction-at rear seat back.
12.0465	AR	2061210	BUSHING-fuel line-lines thru bulkhead and frame connection. 1-1/4 in. long w/1/4 int. pipe thd.
12.0480	AR	2050070	CLIP-fuel line-fuel line to bracket.
12.0500	1	2296538	CORK-fuel tank or line-fuel filter & frame.
12.0510	12	5188227	CONNECTOR-fuel manifold-prior to chassis #4141.
12.0510	12	5117369	CONNECTOR-fuel manifold-w/integral manifold. Effective w/chassis #4141.
12.0512	1	5126307	CONNECTOR-fuel line-return line at cyl. head.
12.0518	AR	1523319	DOME-air, fuel line.
12.0530	2	5157992	ELBOW-fuel manifold check valve-restricted-prior to chassis #4141.
12.0550	2	118833	GROMMET-fuel line-line thru crossmember.
12.0590	2	2265059	HOSE-fuel line-junction bracket to engine.bracket.
12.0590	1	2194792	HOSE-fuel line-fuel pump inlet. Repl. 2194940.
12.0590	1	2311366	HOSE-fuel line-fuel filter inlet. Repl. 2194939.
12.0590	1	2194792	HOSE-fuel line-fuel filter to manifold. Repl. 2194940.
12.0600	AR	2224545	LOOM-fuel line-3/8 ID. 25 ft. ctl.
12.0600	AR	2224568	LOOM-fuel line-3/8 ID. Neoprene. 2 ft. CTL.
12.0610	1	5150562	MANIFOLD-fuel-upper. W/individual pipes between connectors prior to chassis #4141.
12.0610	1	5150561	MANIFOLD-fuel-lower. W/individual pipes between connectors prior to chassis #4141.
12.0620	AR	2378613	NUT-fuel manifold connector.
12.0775	AR	118802	UNION-fuel line-supply line.
12.0780	1	5122279	VALVE-fuel line-check. At engine blkd. Filter.
12.0800	AR	5125108	WASHER-fuel manifold connector-3/4 OD. x 29/64 ID. Repl. 5150568.

FUEL FILTER

12.0810	1	5570473	FILTER-fuel-on engine blkhd. Repl. 1504261, 5573247.
12.0810	1	5571543	FILTER-fuel-on engine.
12.0850	1	2329088	BRACKET-fuel filter-mtg. brkt. to engine for use w/blower alum. end cover. Repl. 2194933.

12.0850	1	2376600	BRACKET-fuel filter-mtg. to engine. For use w/blower die cast end cover.
12.0855	1	2296538	COCK-drain, fuel filter-filter to frame.
12.0860	1	5570497	COVER-fuel filter-incl. plug. Filter on frame.
12.0860	1	1504072	COVER-fuel filter-filter on engine.
12.0880	1	1595655	ELEMENT-fuel filter-filter on frame.
12.0880	1	5573226	ELEMENT-fuel filter-filter on engine.
12.0910	1	1503541	GASKET-fuel filter cover-w/filter on frame.
12.0910	1	1595459	GASKET-fuel filter cover-w/filter at engine.
12.0920	1	1503536	GASKET-fuel filter cover screw-w/filter on frame.
12.0930	1	1503542	GASKET-fuel filter elemtn-filter on frame.
12.0940	AR	5574130	GASKET-fuel filter locking nut-filter on engine.
12.0980	1	1503516	NUT-locking, fuel filter retainer stud-filter on engine.
12.0990	2	5570480	PLUG-fuel filter-filter on frame.
12.1000	1	1503535	SCREW-fuel filter cover-filter on frame.
12.1010	1	1503533	SHELL-fuel filter-incl. plug. Filter on frame
12.1010	1	5571545	SHELL-fuel filter-filter on engine.
12.1050	1	5573742	SPRING-fuel filter-filter on frame-Repl. 5570500.
12.1050	1	1503518	SPRING-fuel filter-filter on engine.

FUEL PUMP-DIESEL

12.1610	1	5184531	PUMP-fuel-incl. pins, shafts, cover, gear, plug, seal, balls, valve, spring & gasket. Gear type.
12.1615	AR	147481	BALL-fuel pump-1/8 steel.
12.1630	3	5118218	BOLT-fuel pump to engine-incl. washer. 15/16-18 x 7/8 hex.
12.1640	2	181698	BOLT-fuel pump coupling disc-1/2-26 x 1-1/4 hex.
12.1655	1	5174962	COVER-fuel pump.
12.1660	1	5154401	DISC-fuel pump coupling.
12.1680	1	5150199	FORK-fuel pump coupling.
12.1690	1	5150193	GASKET-fuel pump.
12.1705	1	5161003	GASKET-fuel pump retaining screw.
12.1715	1	5174975	GEAR-fuel pump.
12.1725	1	5174971	PLUG-fuel pump valve.
12.1750	2	5230007	SEAL-oil, fuel pump-1/2 ID. x 1-1/8 OD.
12.1753	1	5181747	SHAFT-driven, fuel pump-incl. gear.
12.1757	1	5178700	SHAFT-drive, fuel pump.
12.1758	1	2192274	SHIELD-drip, fuel pump-incl. bracket.
12.1770	1	5184530	SPRING-fuel pump valve-retaining.
12.1790	1	5174973	VALVE-fuel pump.
12.1810	1	5154398	WASHER-fuel pump lock bolt-w/coupling disc.

BLOWER INLET

12.4060	1	2136470	MANIFOLD-blower air inlet.
12.4165	1	064681	STUD-air inlet manifold-3/8-16-24 x 3-3/16 to blower.
12.4165	5	060116	STUD-air inlet manifold-3/8-16-24 x 1-23/32 to blower.

GOVERNOR

12.5120	1	5183615	GOVERNOR-diesel engine-stpd. 5183615. Fuel modulating type. Used w/6-71 engine having 70 cu. MM fuel injectors. Std. & SL-11797-Div. A-B-C.
12.5120	1	5183609	GOVERNOR-diesel engine-stpd. 5183609. Fuel modulating type. Used w/6-71 engine having 80 cu. MM fuel injectors. Std. & SL-11797-Div. G.
12.5120	1	5188069	GOVERNOR-diesel engine-stpd. 5188069 mechanical type. Use w/6-71 engine having 60 cu. MM fuel injectors.
12.5130	1	457187	BEARING-governor operating shaft-upper mechanical & fuel modulating. Stpd. 1615 NS.
12.5140	2	148444	BEARING-governor throttle shaft-stpd. #B88-OH fuel modulating & mechanical.
12.5150	1	451905	BEARING-governor weight shaft -thrust mechanical & fuel modulating. Stpd. #6842.
12.5150	1	954716	BEARING-governor weight shaft -end. stpd. #H20301-X1A. Mechanical & fuel modulating.
12.5160	4	5183701	BOLT-governor housing cover-1/4-20 x 5/8.
12.5165	1	5183701	BOLT-governor cam sleeve-1/4-20 x 5/8.
12.5170	6	5118219	BOLT-governor to blower-incl. washer. Mechanical & fuel modulating.
12.5175	1	5183646	BOLT-governor torsion spring.

12.5178	1	5188611	BUSHING-governor operating shaft-lower mechanical & fuel modulating.
12.5180	1	5184332	CAM-governor-fuel modulating. Hand lever.
12.5180	1	5184964	CAM-governor-incl. collar & screw. Fuel modulating.
12.5180	1	5184963	CAM-governor-less collar & screw. Fuel modulating.
12.5190	1	5150899	CAP-governor low speed spring-mechanical.
12.5190	1	5183684	CAP-governor low speed spring-fuel modulating.
12.5200	1	5183268	CAP-governor weight shaft bearing-mechanical & fuel modulating.
12.5210	1	5183630	CARRIER-governor weight-incl. shaft & weight fuel modulating & mechanical.
12.5210	1	5183626	CARRIER-governor weight-incl. shaft. Less weight. Fuel modulating & mechanical.
12.5210	1	5184336	CARRIER-governor weight-carrier only. Fuel modulating & mechanical.
12.5228	1	5183710	COLLAR-governor cam screw-fuel modulating.
12.5230	1	5183661	COVER-governor control housing-incl. brg. less lever. Fuel modulating.
12.5230	1	5183614	COVER-governor control housing-incl. levers & brg. fuel modulating.
12.5230	1	5188073	COVER-governor control housing-incl. bearing mechanical.
12.5235	1	5183692	COVER-fuel modulating governor end-fuel modulating.
12.5240	1	5182559	COVER-governor high speed spring-mechanical.
12.5250	AR	5150268	COVER-governor hole.
12.5260	1	5176837	COVER-governor weight housing-fuel modulating & mechanical.
12.5265	2	5166265	ELBOW-governor-fuel modulating & mechanical at gov. hsg. & cyl. block.
12.5265	1	5177752	ELBOW-governor-fuel modulating & mechanical at cyl. block.
12.5270	1	5185605	FORK-governor operating-fuel modulating & mechanical.
12.5280	1	5150889	GASKET-governor control housing cover-mechanical.
12.5280	1	5183693	GASKET-governor control housing cover-fuel modulating.
12.5290	1	5152944	GASKET-governor high speed spring cover-mechanical.
12.5300	AR	5150269	GASKET-governor hole cover-mechanical & fuel modulating.
12.5310	1	5165221	GASKET-governor shaft brg. cap-mechanical & fuel modulating.
12.5320	1	5150246	GASKET-governor to blower-mechanical & fuel modulating.
12.5330	1	5150269	GASKET-governor to cylinder head-mechanical & fuel modulating.
12.5340	2	5150890	GASKET-governor weight housing-mechanical & fuel modulating.
12.5350	1	5158903	HOUSING-governor control-incl. operating shaft. Mechanical.
12.5350	1	5183313	HOUSING-governor control-less operating shaft. Mechanical.
12.5350	1	5183621	HOUSING-governor control-incl. operating shaft. Fuel modulating.
12.5350	1	5183639	HOUSING-governor control-less operating shaft. Fuel modulating.
12.5360	1	5183612	HOUSING-governor weight-incl. carrier & bearings. Fuel modulating & mechanical.
12.5360	1	5183286	HOUSING-governor weight-less carrier. Fuel modulating & mechanical.
12.5380	1	5150394	LEVER-governor differential-incl. pin mechanical.
12.5380	1	5183649	LEVER-governor differential-fuel modulating.
12.5390	1	5154403	LEVER-governor operating-mechanical & fuel modulating.
12.5400	1	5186064	LEVER-governor shaft control-short. Fuel modulating.
12.5400	1	5154448	LEVER-governor shaft control-long. Fuel modulating.
12.5400	1	5154448	LEVER-governor shaft control-mechanical.
12.5410	1	5188681	LINK-control governor-mechanical.
12.5410	1	5183702	LINK-control governor-fuel modulating.
12.5415	1	5183688	NUT-governor high speed adjustment-lock screw. Fuel modulating.
12.5415	1	5183694	NUT-governor high speed adjustment-fuel modulating. 1/4-20.
12.5415	1	5186677	NUT-governor high speed adjustment-mechanical.
12.5420	AR	5150942	PIN-dowel, governor housing-control housing & weight housing. Mechanical & fuel modulating.
12.5430	AR	5150265	PIN-governor control link-fuel modulating & mechanical.
12.5440	1	5150894	PIN-governor differential lever-mechanical & fuel modulating.
12.5440	1	5183655	PIN-governor differential lever-roller. Fuel modulating.
12.5460	1	5150943	PIN-governor operating lever-mechanical & fuel modulating.
12.5470	1	5186224	PIN-governor throttle shaft stop-fuel modulating.
12.5480	2	5183632	PIN-governor weight-fuel modulating & mechanical.
12.5488	1	444688	PLUG-governor control throttle shaft-grease 1/8-27 hex socket hd.
12.5490	1	5182555	PLUNGER-governor-spring. Mechanical.
12.5490	1	5183687	PLUNGER-governor-high speed. Large. Fuel modulating.
12.5490	1	5183685	PLUNGER-governor-small. Fuel modulating.
12.5500	1	5182557	RETAINER-governor high speed-mechanical.
12.5510	1	5153060	RETAINER-governor packing washer-mechanical & fuel modulating.
12.5520	1	5154503	RISER-governor-mechanical & fuel modulating.
12.5523	1	5183683	RING-retaining, governor plunger-plunger fuel modulating.
12.5523	1	5174429	RING-retaining, governor plunger-throttle shaft. Mechanical.
12.5525	1	5183654	ROLLER-governor differential lever cam-fuel modulating.
12.5540	1	5150898	SCREW-adjusting-w/operating lever. 1/4-28 x 3/4 over all lgth. Mechanical & fuel modulating.
12.5540	1	5183686	SCREW-adjusting-hi-speed spring. Fuel modulating. 1-1/2-18 x 1-11/16.

12.5540	1	5183690	SCREW-adjusting-low speed spring. Fuel modulating. 1/4-20 x 5-3/8.
12.5540	1	5186869	SCREW-adjusting-high speed. Fuel modulating 1/2-20 x 2-11/32. Repl. 5183869.
12.5540	1	5182556	SCREW-adjusting-low speed. Mechanical.
12.555C	1	5177083	SCREW-governor buffer spring-incl. 10 coil spring & nut mechanical.
12.5550	1	5152987	SCREW-governor buffer spring-incl. 11 coil spring mechanical.
12.5550	1	5121540	SCREW-governor buffer spring-incl. 11 coil spring-fuel modulating-repl. 5183681 screw w/10 coil springs.
12.5555	1	5183709	SCREW-governor cam-fuel modulating.
12.5570	1	5150884	SCREW-governor weight shaft bearing retainer-mechanical & fuel modulating.
12.5580	2	5151059	SCREW-set, governor weight-mechanical & fuel modulating.
12.5585	1	5184929	SEAL-governor cam sleeve-rubber. Fuel modulating.
12.5590	1	5150892	SEAT-governor low speed-mechanical & fuel modulating.
12.5595	1	5186868	SEAT-governor fuel modulating spring-high speed. Fuel modulating.
12.5610	1	5158819	SHAFT-governor operating-incl. fork mechanical.
12.5610	1	5154435	SHAFT-governor operating-less fork mechanical.
12.5610	1	5183641	SHAFT-governor operating-incl. fork. Fuel modulating.
12.5610	1	5183645	SHAFT-governor operating-shaft only. Fuel modulating.
12.5620	1	5183657	SHAFT-governor throttle-incl. cam lever. Fuel modulating.
12.5620	1	5174425	SHAFT-governor throttle-mechanical.
12.5630	1	5150925	SHAFT-governor weight-less carrier. Fuel modulating & mechanical.
12.5645	1	5183656	SLEEVE-cam, governor fuel modulating-fuel modulating.
12.5660	1	5177082	SPRING-governor buffer. 10 coils, .047 wire dia. part of 5177083 & 5183681.
12.5660	1	5152929	SPRING-governor buffer-11 coils, .039" wire dia. part of 5121540 & 5152987 buffer screw.
12.5660	1	5183653	SPRING-governor-torsion. Diff. lever. Fuel modulating.
12.5660	2	142583	SPRING-governor-retainer. Hair pin type fuel modulating.
12.5660	1	5183704	SPRING-governor-low speed. Fuel modulating & mechanical.
12.5660	1	5182560	SPRING-governor-hi-speed. Used w/60 cu. mm fuel injector. Mechanical.
12.5660	1	5183707	SPRING-governor-hi-speed. Used w/70 & 80 cu. mm fuel injectors. Fuel modulating.
12.5660	1	5183699	SPRING-governor-w/small plunger. Part 5183615 governor. Fuel modulating.
12.5660	1	5183700	SPRING-governor-w/small plunger. Part of 5183609 governor. Fuel modulating.
12.5665M	1	178685	TEE-gov. oil supply-lubr. line elbow. 1/8-27 ent., 7/16-24 int. w/1/4 line.
12.5667	AR	2224976	TUBE-oil, governor weight housing-(1/4 OD., .035" wall, 25 ft. long-CTL.)-Repl. R 31092.
12.5670	1	5150946	WASHER-governor control lever-fuel modulating. 25/64 ID. x 5/8 OD.
12.5690	2	5150941	WASHER-governor lever shaft-mechanical & fuel modulating. Also differential lever .313 ID. x 35/64 OD.
12.5690	2	5151487	WASHER-governor lever shaft-gov. weight shaft .386 ID. x 11/64 OD. mechanical & fuel modulating.
12.5700	1	5159080	WASHER-governor operating shaft bearing-upper. .431 ID. x 3/4 OD.
12.5720	1	5150897	WASHER-governor weight shaft bearing-mechanical & fuel modulating. 21/64 ID. x 3/4 OD.
12.5730	1	5176557	WASHER-packing, governor housing cover-rubber mechanical & fuel modulating. .487 ID. x 1/2 OD.
12.5740	1	5193214	WEIGHT SET-governor-fuel modulating & mechanical.

FUEL INJECTOR

12.6120	6	5228310	INJECTOR-fuel-60 cu. mm. w/tag stpd. HV-6.
12.6120	6	5228305	INJECTOR-fuel-70 cu. mm. w/tag stpd. HV-7. Std. & SL-11797-Div. A-B-C. Replaces 5227935 injector stpd. GM 70.
12.6120	6	5228110	INJECTOR-fuel-80 cu. mm. w/tag stpd. HV-8 SL-11797-Div. G.
12.6125	6	5228333	KIT-conversion, fuel injector-consist of 1-plunger & bshg., 1-valve package, 1-cage, 1-guide & 1-number tag. 70 cu. mm. used to convert injector w/tag stpd. GM 70 to injector w/tag stpd. HV-7. Std. & SL-11797 Div. A-B-C.
12.6130	6	5193221	KIT-injector overhaul-2 gasket, 1-ring & 2-elements. Std. & SL-11797-Div. A-B-C.
12.6135	6	5228253	KIT-repair, fuel injector valve-incl. 1 valve, seat & spring. W/injector stpd. GM 70.
12.6135	6	5228313	KIT-repair, fuel injector valve-consist of 1-valve, 1-seat & 1-spring. W/injector stpd. HV 6, 7 & 8. Std. & SL-11797-Div. A-B-C-G.
12.6140	6	5227325	KIT-repair, fuel injector spray tip & valve-incl. 1-valve, 1-spray tip, 1-valve spring & 1-valve stop. W/70 cu. mm. injector. Stpd. GM 70.

12.6140	6	5228312	KIT-repair, fuel injector spray tip & valve-consist of 1-valve, 1-spray tip, 1-valve spring & 1-valve stop. 70 cu. mm. & 80 cu. mm. used w/injector stpd. HV-7 & 8. Std. & SL-11797 Div. A-B-C-G.
12.6143	1	2193516	ADAPTER-fuel injector air cylinder-air cylinder to cylinder head.
12.6147	1	2358822	BODY-magnet valve-part of 2092234.
12.6150	6	5227931	BODY-fuel injector-std. & SL-11797 Div. A-B-C-G.
12.6160	2	5120687	BRACKET-fuel injector bracket control tube-incl. brg., pressed. Bolt 1/4-20 x 5/8. Std. & SL-11797-Div. A-B-C-G.
12.6167	6	5228294	CAGE-fuel injector valve-part of injector stpd. HV 6, 7 & 8. Std. & SL-11797-Div. A-B-C-G.
12.6170	12	5226413	CAP-fuel injector filter element-std. & SL-11797-Div. A-B-C-G.
12.6173	6	5226414	CAP-fuel injector shipping-part of injector stpd. HV 8. SL-11797-Div. G.
12.6180	6	5111335	CLAMP-fuel injector-std. & SL-11797-Div. A-B-C-G. Bolt 3/8-16 x 2" hex.
12.6182	1	2252446	COIL-injector control cylinder magnet valve.
12.6184	1	2090270	COUPLING-fuel injector control cyl., control-shut-off rod.
12.6187	1	2193510	CYLINDER-air, fuel injector control-also cover.
12.6190	6	5226565	DEFLECTOR-spill, fuel injector-part of injector stpd. GM-70. Std.
12.6190	6	5228109	DEFLECTOR-spill, fuel injector-part of injector stpd. HV 6, 7 & 8. Std. & SL-11797-Div. A-B-C-G.
12.6200	12	5228013	ELEMENT-filter, fuel injector-std. & SL-11797-Div. A-B-C-G.
12.6204	1	2090271	END-fuel injector control cyl. control rod-shut-off rod at racks.
12.6210	6	5226394	FOLLOWER-fuel injector-part of injector stpd. GM-70 std.
12.6210	6	5228104	FOLLOWER-fuel injector-part of injector stpd. HV 6, 7 & 8. Std. & SL-11797-Div. A-B-C-G.
12.6220	12	5226186	GASKET-fuel injector filter element cap-std. & SL-11797-Div. A-B-C-G.
12.6224	1	5150269	GASKET-control cylinder-adapter.
12.6230	6	5226400	GEAR-fuel injector rack-std. & SL-11797-Div. A-B-C-G.
12.6240	6		GUIDE-fuel injector follower-part of injector stpd. GM 70. Not serviced. Use 5228104 follower.
12.6250	1	5150263	LEVER-fuel injector control tube-std. & SL-11797-Div. A-B-C-G.
12.6260	6	5115321	LEVER-fuel injector rack control-incl. adj. screws. For use w/5195520 tube.
12.6260	6	5150260	LEVER-fuel injector rack control-incl. adj. screw. For use w/5190824 tube. Std. & SL-11797-Div. A-B-C-G.
12.6270	6	5226563	NUT-fuel injector-part of injector stpd. GM 70. Std.
12.6270	6	5228102	NUT-fuel injector-lower body. Part of injector stpd. HV 8. SL-11797 Div. G.
12.6274	1	5150265	PIN-fuel injector control cyl.-shut-off rod rod to racks.
12.6280	6	5226397	PIN-fuel injector follower-part of injector stpd. GM 70. Std.
12.6285	6	5226393	PIN-fuel injector plunger-std. & SL-11797-Div. A-B-C-G.
12.6290	6	5228512	PIN-injector follower stop-std. & SL-11797-Div. A-B-C-G.
12.6295	1	5119802	PISTON-fuel injector control cylinder-.969 in. long.
12.6300	6	5228306	PLUNGER-fuel injector-incl. bushing. 60 cu. mm. part of injector stpd. HV 6.
12.6300	6	5228304	PLUNGER-fuel injector-incl. bushing. 70 cu. mm. part of injector stpd. HV 7. Std. & SL-11797-Div. A-B-C. Repl. 5227933.
12.6300	6	5228101	PLUNGER-fuel injector-incl. bushing & pin 80 cu. mm. Part of injector stpd. HV 8 SL-11797-Div. G.
12.6310	6	5226719	RACK-fuel injector-std. & SL-11797-Div. A-B-C-G.
12.6320	6	5226567	RETAINER-fuel injector rack gear-std. & SL-11797-Div. A-B-C-G.
12.6325	1	2193514	RING-fuel injector control cylinder-seal air cylinder piston.
12.6330	6	5226564	RING-seal, fuel injector body-std. & SL-11797-Div. A-B-C-G.
12.6340	6	5160037	RING-seal, fuel injector hole tube-std. & SL-11797-Div. A-B-C-G.
12.6345	1	2193517	ROD-injector control cylinder-shut-off.
12.6348	1	2252450	ROD-push, injector control cylinder magnet valve.
12.6350	12	5176228	SCREW-adjusting, injector rack control lever-std. & SL-11797-Div. A-B-C-G.
12.6360	6	5228106	SEAT-fuel injector spray tip-valve.
12.6380	6	5226570	SPACER-fuel injector spray tip-part of injector stpd. GM 70. Std.
12.6380	6	5228319	SPACER-fuel injector spray tip-for use in converting injector stpd. GM over to HV-or high valve injector.
12.6390	1	5150994	SPRING-fuel injector control tube-7-1/2 coils w/equal lgth. hooks std. & SL-11797-Div. A-B-C-G.
12.6390	1	5115922	SPRING-injector control tube-w/7 coils and unequal lgth. hooks.
12.6400	12	5226415	SPRING-fuel injector filter element-std. & SL-11797-Div. A-B-C-G.
12.6410	6	5228292	SPRING-fuel injector plunger-part of injector stpd. HV 7 & 8. Std. & SL-11797-Div. A-B-C-G. Repl. 5226396.
12.6420	6	5227210	SPRING-fuel injector spray tip valve-std. & SL-11797-Div. A-B-C-G.
12.6425	1	2252447	SPRING-fuel injector control cylinder-magnet valve.
12.6425	1	5112908	SPRING-fuel injector control cylinder-return air cylinder piston. Repl. 2193515.

12.6430	6	5227318	STOP-fuel injector valve-Std. & SL-11797-Div. A-B-C-G.
12.6440	6	5150251	STUD-fuel injector clamp-3/8-16-24 x 2-9/16. Std & SL-11797-Div. A-B-C-G. Prior to chassis 4141.
12.6450	6	5227317	TIP-spray, fuel injector-70 cu. MM. Part of injector stpd. GM 70. Std.
12.6450	6	5228296	TIP-spray, fuel injector-60 cu. MM. Part of injector stpd. HV 6.
12.6450	6	5228554	TIP-spray, fuel injector-70 & 80 cu. MM. Part of injector stpd. HV.7 & 8. Std. & SL-11797-Div. A-B-C-G.
12.6460	1	5195520	TUBE-fuel injector rack control-Incl. bracket, tube, lever and pins. 31-3/16 in. long.
12.6470	6	5150041	TUBE-fuel injector hole-Std. & SL-11797-Div. A-B-C-G.
12.6480	6	5226411	VALVE-check, fuel injector spray tip-Std. & SL-11797-Div. A-B-C-G.
12.6490	6	5227319	VALVE-fuel injector spray tip-crown type less seat.
12.6490	6		VALVE-fuel injector spray tip-Incl. seat not serviced, use 5228313 kit. Part of injector Stpd. HV 6, 7 & 8. Std. & SL-11797-Div. A-B-C-G.
12.6490	6	5228308	VALVE-fuel injector spray tip-Less seat part of injector stpd. HV 6, 7 & 8. Std. & SL-11797-Div. A-B-C-G.
12.6495	1	2092234	VALVE-magnet, injector control cylinder-Incl. valve & stem, coil, push rod & spring on seat back.
12.6495	1	2252449	VALVE-magnet, injector control cylinder-Incl. stem, less coll, push rod & spring.
12.6497	1	2358823	VALVE-seat, magnet valve--part of 2092234.
12.6500	6	5150250	WASHER-fuel injector clamp-Std. & SL-11797-Div. A-B-C-G.

EXHAUST

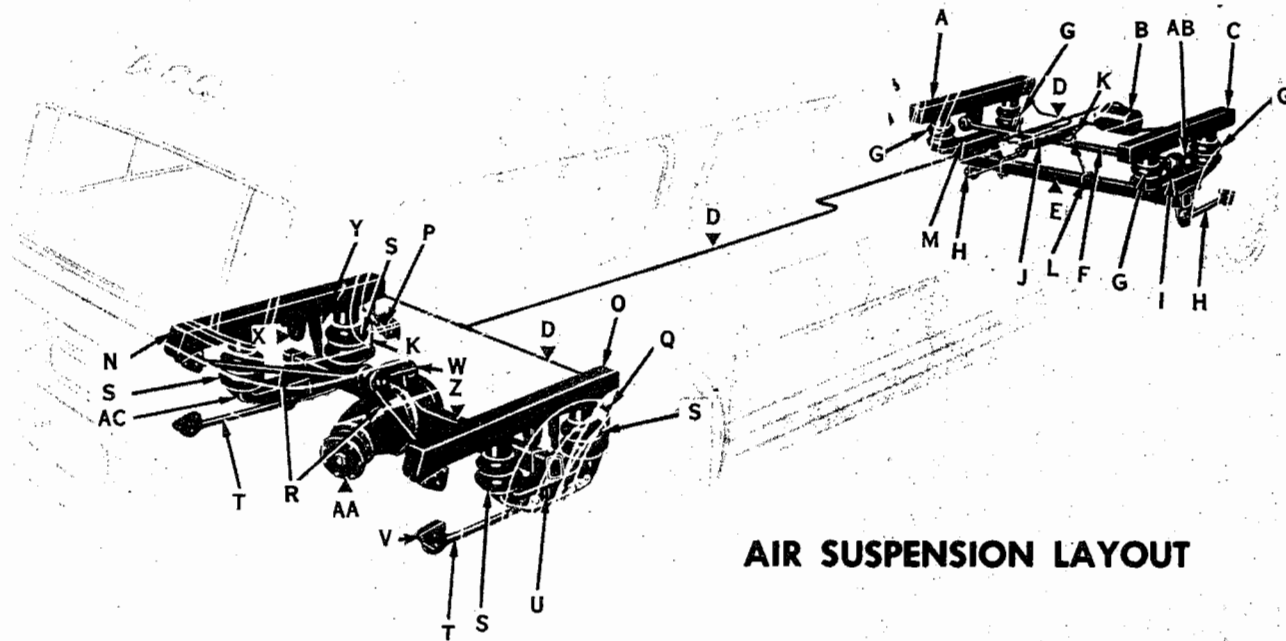
12.6510	1	2295990	MUFFLER-exhaust-primary. W/single exhaust system.
12.6510	1	2295989	MUFFLER-exhaust-secondary. W/single exhaust system.
12.6510	2	2340302	MUFFLER-exhaust. W/dual exhaust system.
12.6560	1	2319901	BRACKET-muffler-rear RH. Repl. 2296171 w/single exhaust system.
12.6560	2	2340128	BRACKET-muffler-at tail pipe. Bolt 5/16-18 x 1 hex. W/dual exhaust system.
12.6580	1	2293525	BRACKET-tail pipe support-prior to chassis #1001 w/single exhaust system.
12.6580	1	2311990	BRACKET-tail pipe support-eff. w/chassis 1001 w/single exhaust system.
12.6580	1	2340131	BRACKET-tail pipe support. Bolt 1/2-13 x 1-1/8 hex. W/dual exhaust system prior to chassis 1966.
12.6580	1	2358955	BRACKET-tail pipe support-bolt 3/8-16 x 7/8 hex. Eff. w/chassis 1966.
12.6610	1	2295978	CLAMP-muffler-secondary muffler to manifold w/single exhaust system.
12.6610	1	5184663	CLAMP-muffler-between primary & secondary muffler w/single exhaust system.
12.6610	2	2340301	CLAMP-muffler-at manifold w/dual exhaust system.
12.6620	1	669374	CLAMP-tail pipe-tail pipe to muffler w/single exhaust system.
12.6620	1	2311989	CLAMP-tail pipe-support. Eff. w/chassis #1001 w/single exhaust system.
12.6620	2	2340124	CLAMP-tail pipe-bolts 3/8-16 x 3/4, 1-1/2 hex. W/dual exhaust system.
12.6745	1	274635	NUT-exhaust pipe-support clamp. 3/8-24 hex. Lock w/chassis 1001 w/single ex- haust system. Repl. 2266505.
12.6800	1	2311987	PIPE-tail-repl. 2296289 w/single exhaust system.
12.6800	1	2340364	PIPE-tail-LH. W/dual exhaust system.
12.6800	1	2340365	PIPE-tail-RH. W/dual exhaust system.
12.6960	2	2296190	U-bolt-muffler-secondary muffler to bracket w/single exhaust.
12.6970	1	2293519	U-bolt-tail pipe-to bracket. Prior to chassis #1001 w/single exhaust system.
12.6970	1	2074361	U-bolt-tail pipe-to bracket W/dual exhaust system.

AIR CLEANER

12.7200	AR	1551108	CLEANER-air-Incl. shell, element, base & etc.
12.7228	1	1551110	BAFFLE-air cleaner-oil.
12.7310	2	1543895	CATCH-air cleaner.
12.7320	1	2296798	CLAMP-air cleaner-hose to manifold tube.
12.7370	1	2292298	COVER-air cleaner compartment-w/intake duct.
12.7382	1	2358659	COVER-engine air intake-RH duct. Eff. w/chassis 1966 thru 2915.
12.7382	1	2358660	COVER-engine air intake-LH duct. Eff. w/chassis 1966 thru 2915.
12.7420	1	2279240	FLANGE-air cleaner-manifold to blower inlet hose. W/6 bolt holes.
12.7420	1	2295830	FLANGE-air cleaner-clamp flange ring.
12.7430	AR	1544000	GASKET-air cleaner-shell & base part of 1544836.
12.7440	AR	2415501	GASKET-air cleaner mounting-air cleaner top w/6 bolt holes.
12.7440	AR	2219651	GASKET-air cleaner mounting-air cleaner to mtg. plate. W/8 bolt holes.
12.7440	1	2247735	GASKET-air cleaner mounting-mtg. plate to manifold.
12.7440	1	2252237	GASKET-air cleaner mounting-adapter hose to manifold.
12.7450	1	2295829	HOSE-air cleaner-manifold to blower inlet.

12.7470	8	2247731	INSULATOR-air cleaner air duct & manifold-w/mtg. stud.
12.7470	1	2298931	INSULATOR-air cleaner air duct & manifold.
12.7500	1	2300353	LOUVER-air cleaner air intake-w/screen. prior to chassis 1966 & eff. w/chassis 2916.
12.7580	1	2299158	PANEL-air cleaner duct & silencer-RH inner.
12.7560	1	2299166	PANEL-air cleaner duct & silencer-LH inner.
12.7560	1	2292838	PANEL-air cleaner duct & silencer-RH closure.
12.7580	1	2371528	PANEL-air cleaner duct & silencer-LH closure. Repl. 2293407, 2314720.
12.7580	1	2291647	PLATE-air cleaner duct-reinforcement.
12.7580	1	2292293	PLATE-air cleaner duct-baffle. RH outer prior to chassis 1966 & eff. w/chassis 2916.
12.7580	1	2357942	PLATE-air cleaner duct-baffle. RH outer. Eff. w/chassis 1966 thru 2915.
12.7580	1	2292294	PLATE-air cleaner duct-baffle. RH center.
12.7580	1	2292295	PLATE-air cleaner duct-baffle. RH inner.
12.7590	1	2247737	PLATE-air cleaner manifold support.
12.7630	1	2219648	RING-air cleaner manifold-to blower inlet hose.
12.7650	AR	2226070	RIVNUT-air cleaner duct panel-also rear seat back cover & engine air intake duct cover.
12.7650	AR	2227417	RIVNUT-air cleaner duct panel-inner silencer panel.
12.7661	1	2358673	SCREEN-engine air intake-RH. Eff. w/chassis 1966 thru 2915.
12.7661	1	2358674	SCREEN-engine air intake-LH. Eff. w/chassis 1966 thru 2915.
12.7680	1	2249176	SEAL-air cleaner air intake-support plate to duct.
12.7690	AR	1544836	SHELL-air cleaner-incl. element & gasket.
12.7740	AR	2024002	STUD-air cleaner mounting-3/8-16, 3/8-24 x 1-3/8. W/manifold.
12.7740	4	2247728	STUD-air cleaner mounting-W/air duct.
12.7780	1	2293455	TUBE-air cleaner-air cleaner to manifold.
12.7790	8	2247730	WASHER-air cleaner mounting bolt or stud-W/stud.

IMPORTANT: Refer to your Final Vehicle Record for Assemblies and Special Equipment (SL's) used on each vehicle.



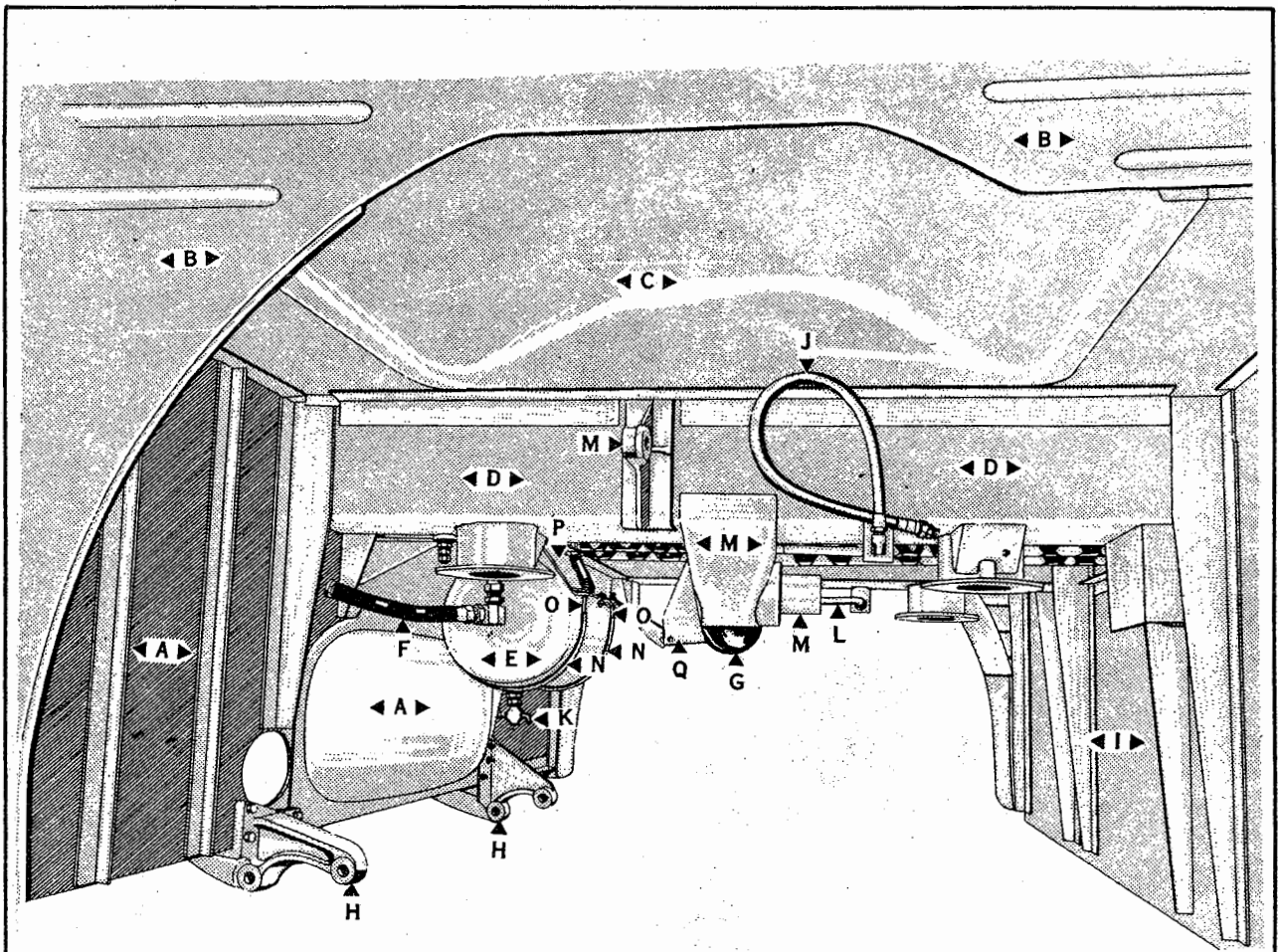
AIR SUSPENSION LAYOUT

TP-9066

AIR SUSPENSION

Key	Description	Group No.	Key	Description	Group No.	Key	Description	Group No.
A	Beam - front L. H.	14.0020	K	Link - adjustable	14.0170	U	Support - rear R. H.	14.0110
B	Tank	14.0460	L	Clip (W/Link)	16.0105	V	Plate	14.0400
C	Beam - front R. H.	14.0020	M	Support - front L. H.	14.0110	W	Bracket - anchor	14.0340
D	Line	14.0800	N	Beam - rear L. H.	14.0020	X	Bumper - rear axle	11.0590
E	Center	1.0020	O	Beam - rear R. H.	14.0020	Y	Absorber - shock, rear	14.0250
F	Rod - lateral	14.0330	P	Valve - rear L. H.	14.0120	Z	Housing	2.0020
G	Bellows - front	14.0050	Q	Valve - rear R. H.	14.0120	AA	Flange (At axle)	18.0390
H	Rod - front lower	14.0330	R	Rod - rear upper	14.0330	AB	Rod - front upper	14.0330
I	Support - front R. H.	14.0110	S	Bellows - rear	14.0050	AC	Support - rear L. H.	14.0110
J	Valve - front	14.0120	T	Rod - rear lower	14.0330			

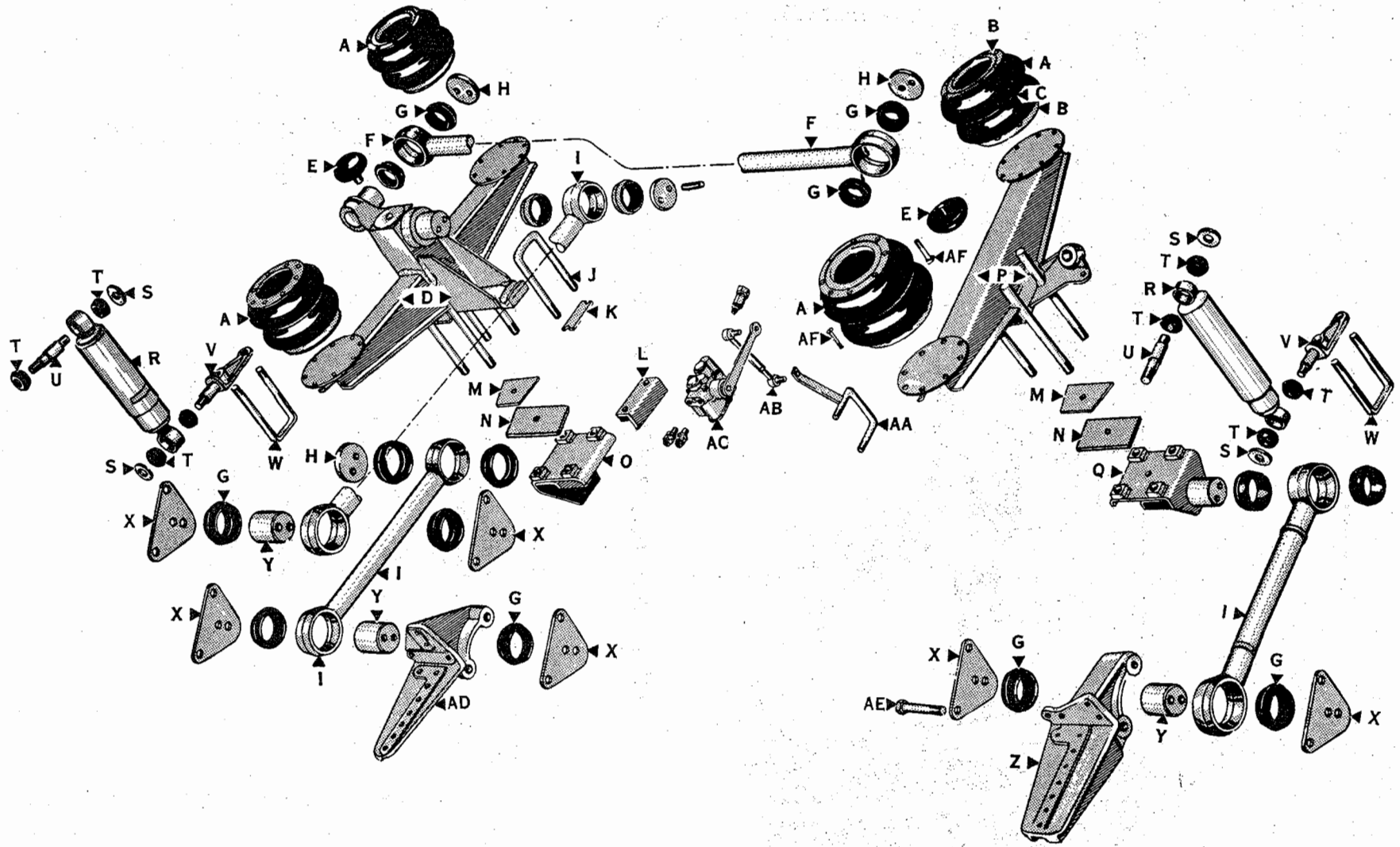
AIR SUSPENSION



3-0619

FRONT AIR SUSPENSION (LESS AXLE)

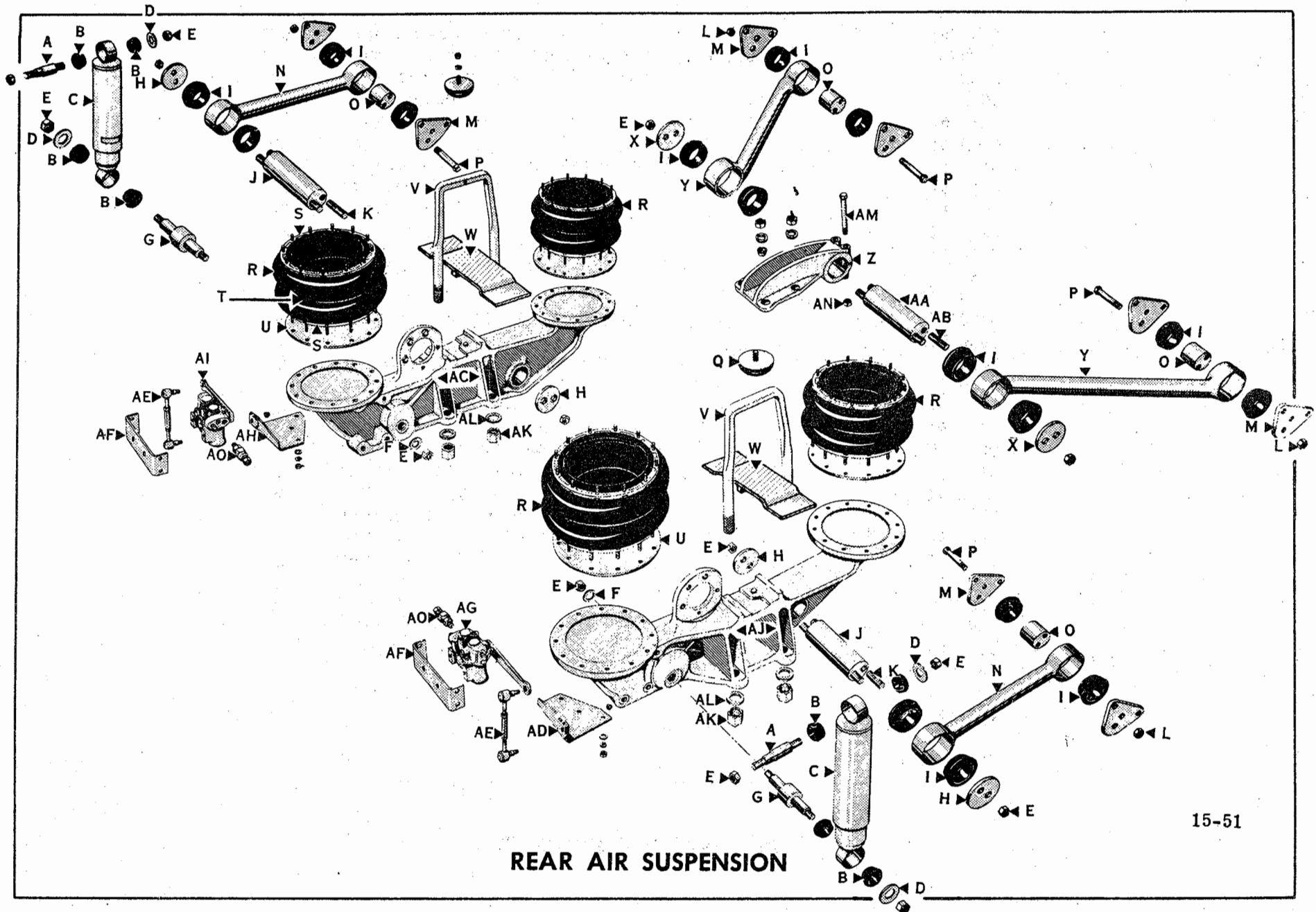
Key	Description	Group No.
A	Bulkhead (front)	25.4305
B	Panel (at W/H)	25.2165
C	Wheelhouse (front)	25.2225
D	Beam	14.0020
E	Air Tank (front)	4.5010
F	Line (to application valve)	4.6410
G	Bumper	11.0590
H	Bracket	14.0340
I	Bulkhead (rear)	25.4305
J	Hose (chamber)	4.6405
K	Cock (drain)	4.5035
L	Line (to chamber hose)	4.6410
M	(Not Serviced) (Part of Beam)	
N	Loom	4.5038
O	U-Bolt	4.5055
P	Bracket	4.5025
Q	Hanger	14.0160



FRONT AIR SUSPENSION

KEY TO FRONT AIR SUSPENSION

Key	Description	Group No.
A	Bellows - front	14.0050
B	Ring (Top & bottom)	14.0080
C	Ring (Center)	14.0090
D	Support - R. H.	14.0110
E	Bumper	11.0590
F	Rod - lateral	14.0330
G	Bushing	14.0360
H	Washer	14.0440
I	Rod - upper & lower	14.0330
J	U-Bolt - R. H. front	14.0115
K	Spacer - R. H. front "U" bolt	14.0100
L	Support - R. H. front "U" bolt	14.0110
M	Spacer (5" on one side - 3-3/8" on other side)	14.0100
N	Spacer (6-1/2 x 3-1/4)	14.0100
O	Bracket - R. H. (At axle end)	14.0340
P	Support - L. H.	14.0110
Q	Bracket - L. H. (At axle end)	14.0340
R	Absorber - front	14.0250
S	Washer - (25/32 I. D. x 2 O. D.)	14.0320
T	Grommet	14.0280
U	Pin - upper	14.0310
V	Bracket	14.0260
W	U- Bolt	14.0314
X	Plate	14.0400
Y	Spacer	14.0410
Z	Bracket - L. H. lower (At bulkhead)	14.0340
AA	Clip	16.0105
AB	Link - adjustable	14.0170
AC	Valve - front	14.0120
AD	Bracket - R. H. lower (At bulkhead)	14.0340
AE	Bolt - anchor plate & bracket 3/4-16 x 4-1/4	14.0350
AF	Bolt - front bellows	14.0060



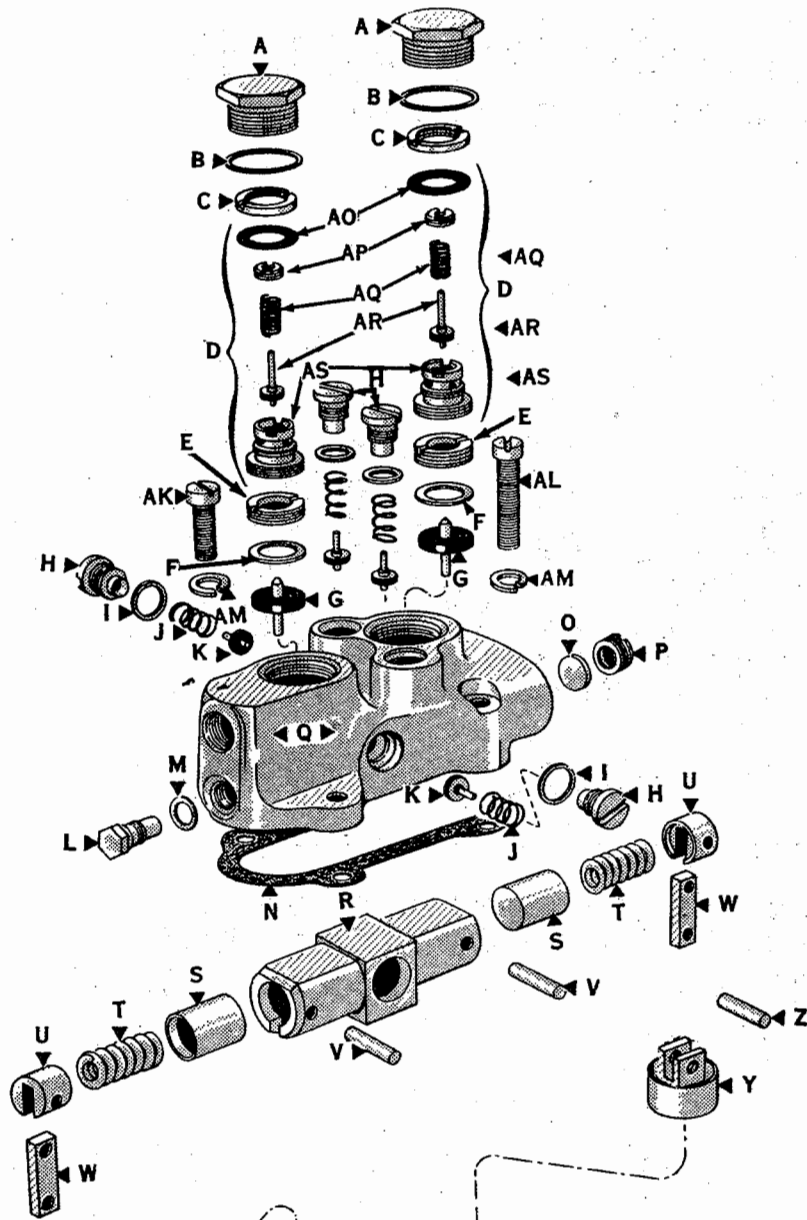
REAR AIR SUSPENSION

AIR SUSPENSION

KEY TO REAR AIR SUSPENSION

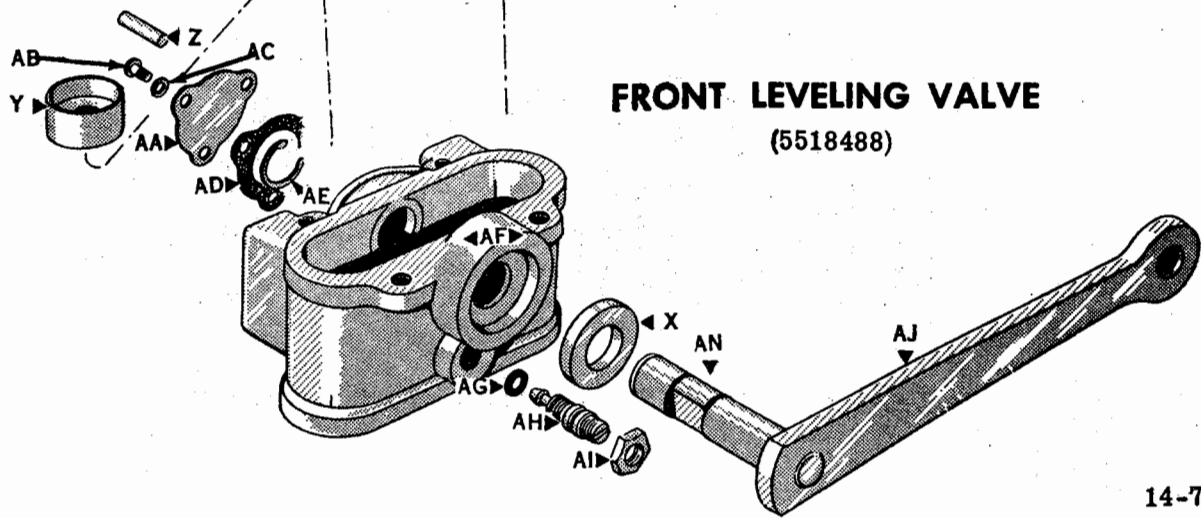
Key	Description	Group No.	Key	Description	Group No.
A	Pin - upper	14.0310	V	U-Bolt - rear axle	14.0115
B	Grommet	14.0280	W	Spacer - rear axle U-bolt	14.0100
C	Absorber - rear	14.0250	X	Washer (4" O. D.)	14.0440
D	Washer (25/32 I. D. x 2" O. D.)	14.0320	Y	Rod - upper	14.0330
E	Nut	14.0300	Z	Bracket - anchor	14.0340
F	Washer (25/32 I. D. x 1-1/2" O. D.)	14.0320	AA	Pin (8-1/16" long)	14.0390
G	Pin - lower	14.0310	AB	Stud	14.0430
H	Washer (3-3/8" O. D.)	14.0440	AC	Support - rear L. H.	14.0110
I	Grommet	14.0360	AD	Bracket - R. H.	14.0150
J	Pin (4-15/16" long)	14.0390	AE	Link	14.0170
K	Stud	14.0420	AF	Bracket	14.0140
L	Nut	14.0370	AG	Valve - R. H.	14.0120
M	Plate	14.0400	AH	Bracket - L. H.	14.0150
N	Rod - lower	14.0330	AI	Valve - L. H.	14.0120
O	Spacer	14.0410	AJ	Support - rear R. H.	14.0110
P	Bolt	14.0350	AK	Nut	14.0063
Q	Bumper	11.0590	AL	Washer - rear axle	14.0117
R	Bellows - rear	14.0050	AM	Bolt (5/8-18 x 4-3/4 hex.)	N. S.
S	Ring (Top & bottom)	14.0080	AN	Nut	14.0369
T	Ring (Center)	14.0090	AO	Filter	14.0700
U	Plate	14.0070			

AIR SUSPENSION



FRONT LEVELING VALVE

(5518488)

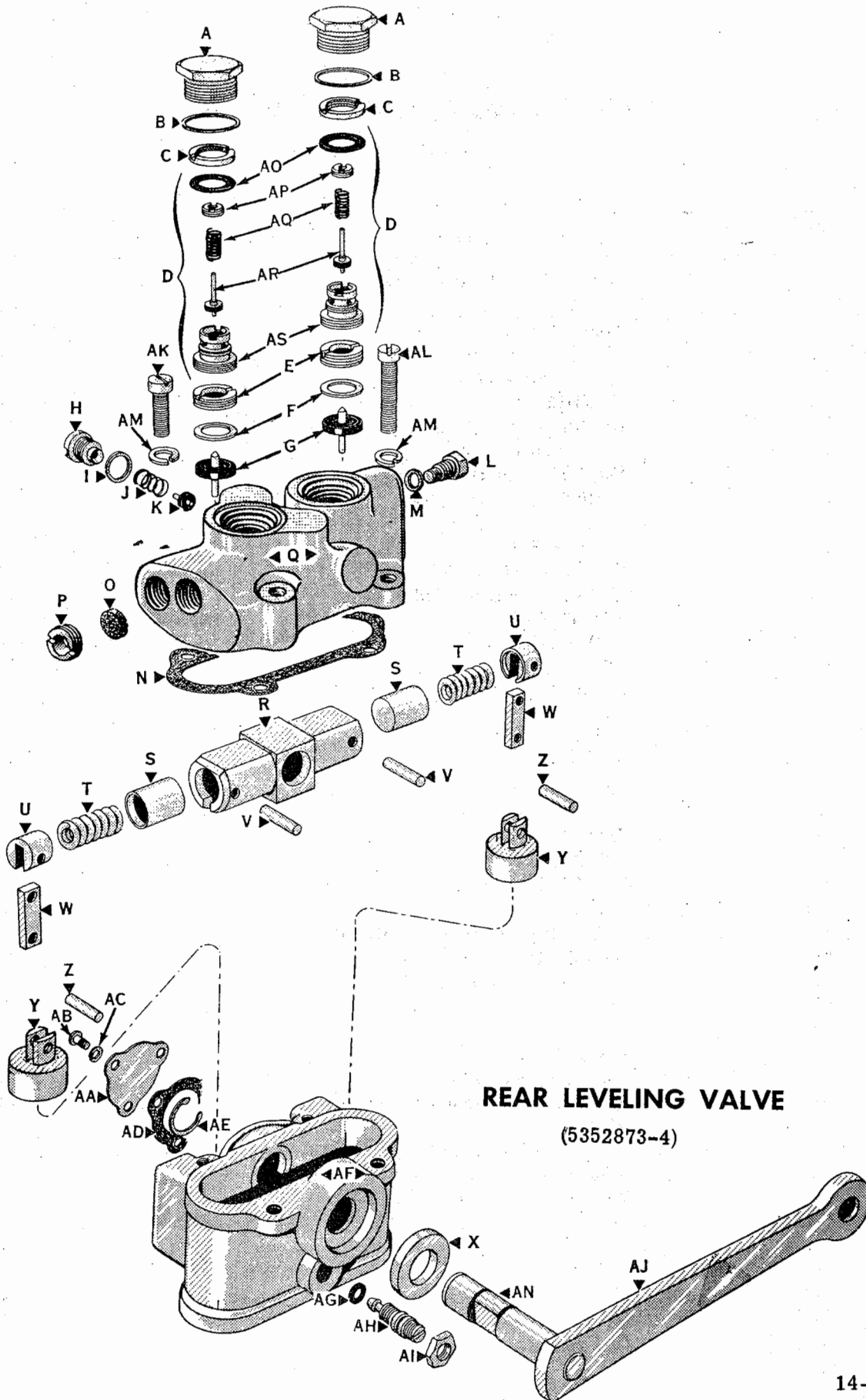


KEY TO FRONT LEVELING VALVE

(5518488)

Key	Description	Group No.
A	NUT - Control Valve Cover	14.0175
B	GASKET - Cover Nut	14.0155
C	NUT - Valve	14.0185
D	VALVE - Control	14.0123
E	NUT - Diaphragm	14.0185
F	WASHER	14.0240
G	DIAPHRAGM (W/plunger)	14.0154
H	NUT - Check Valve	14.0175
I	GASKET - Check Valve Nut	14.0155
J	SPRING - Check Valve	14.0230
K	VALVE	14.0122
L	PLUG - Filler	14.0200
M	GASKET - Filler Plug	14.0155
N	GASKET - Housing Body	14.0155
O	SILENCER	14.0225
P	NUT - Silencer	14.0185
Q	BODY	14.0128
R	BEAM	14.0126
S	TAPPET	14.0235
T	SPRING	14.0230
U	RETAINER	14.0205
V	PIN (.975 long)	14.0190
W	LINK (Beam to Piston)	14.0170
X	SEAL	14.0215
Y	PISTON	14.0195
Z	PIN (17/32 long)	14.0190
AA	COVER	14.0152
AB	SCREW (#8-32 x 3/8 Rd. Sl. Hd.)	NS
AC	WASHER (#8 lock)	20.0820
AD	GASKET (End Cover)	14.0155
AE	RING	14.0210
AF	BODY	14.0127
AG	RING	14.0213
AH	VALVE - Needle	14.0124
AI	NUT (3/8"-24 Light Hex Jam)	20.0470
AJ	ARM	14.0125M
AK	SCREW (1/4-28 x 3/4 Fil. Sl. Hd.)	NS
AL	SCREW (1/4-28 x 1-1/4 Fil. Sl. Hd.)	NS
AM	WASHER (1/4 Lock, Med. Plain)	20.0820
AN	SHAFT	14.0220
AO	WASHER	14.0239
AP	GUIDE	14.0157
AQ	SPRING - Control Valve	14.0230
AR	STEM	14.0232
AS	CAGE	14.0151

AIR SUSPENSION



REAR LEVELING VALVE

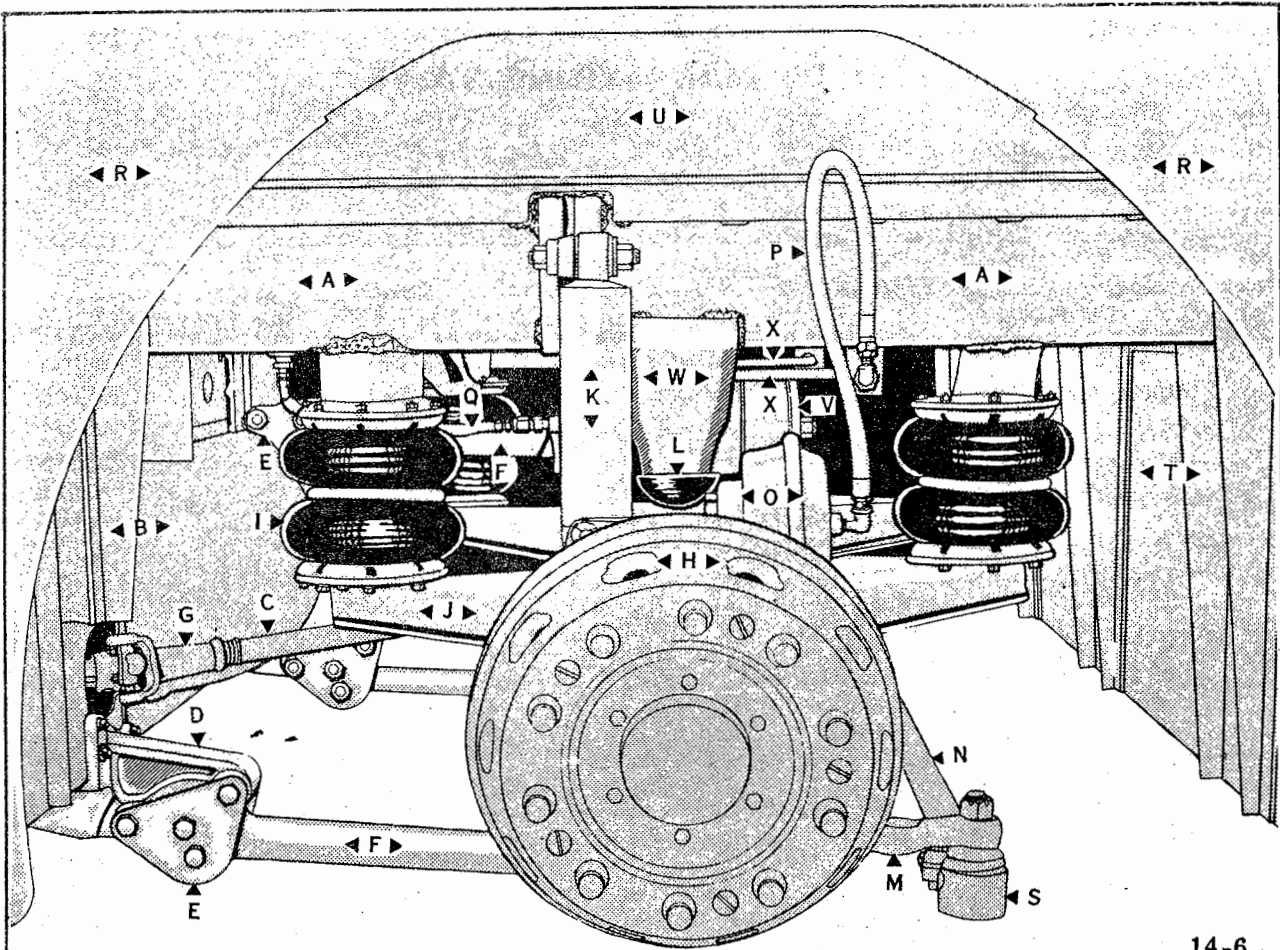
(5352873-4)

KEY TO REAR LEVELING VALVE

(5352873-4)

Key	Description	Group No.
A	NUT - Control Valve Cover	14.0175
B	GASKET - Cover Nut	14.0155
C	NUT - Valve	14.0185
D	VALVE - Control	14.0123
E	NUT - Diaphragm	14.0185
F	WASHER	14.0240
G	DIAPHRAGM (W/plunger)	14.0154
H	NUT - Check Valve	14.0175
I	GASKET - Check Valve Nut	14.0155
J	SPRING - Check Valve	14.0230
K	VALVE	14.0122
L	PLUG - Filler	14.0200
M	GASKET - Filler Plug	14.0155
N	GASKET - Housing Body	14.0155
O	SILENCER	14.0225
P	NUT - Silencer	14.0185
Q	BODY	14.0128
R	BEAM	14.0126
S	TAPPET	14.0235
T	SPRING	14.0230
U	RETAINER	14.0205
V	PIN (.975 long)	14.0190
W	LINK (Beam to Piston)	14.0170
X	SEAL	14.0215
Y	PISTON	14.0195
Z	PIN (17/32 long)	14.0190
AA	COVER	14.0152
AB	SCREW (#8-32 x 3/8 Rd. Sl. Hd.)	NS
AC	WASHER (#8 lock)	20.0820
AD	GASKET (End Cover)	14.0155
AE	RING	14.0210
AF	BODY	14.0127
AG	RING	14.0213
AH	VALVE - Needle	14.0124
AI	NUT - (3/8"-24 Light Hex Jam)	20.0470
AJ	ARM	14.0125M
AK	SCREW (1/4-28 x 3/4 Fil. Sl. Hd.)	NS
AL	SCREW (1/4-28 x 1-1/4 Fil. Sl. Hd.)	NS
AM	WASHER (1/4 Lock, Med. Plain)	20.0820
AN	SHAFT	14.0220
AO	WASHER	14.0239
AP	GUIDE	14.0157
AQ	SPRING - Control Valve	14.0230
AR	STEM	14.0232
AS	CAGE	14.0151

AIR SUSPENSION



14-6

FRONT AIR SUSPENSION (L.H. ASSEMBLED VIEW)

Key	Description	Group No.	Key	Description	Group No.
A	Beam (L. H.)	14.0020	N	Rod (Tie)	1.0400
B	Bulkhead (Front)	25.4305	O	Chamber	4.0890
C	Shaft	16.3190	P	Hose	4.6405
D	Bracket (L. H. lower)	14.0340	Q	Line	14.0800
E	Plate	14.0400	R	Panel (At W/H)	25.2165
F	Rod (Radius)	14.0330	S	End	1.0450
G	Yoke	16.3350	T	Bulkhead (Rear)	25.4305
H	Drum	19.0170	U	Wheelhouse (Front)	25.2225
I	Bellows	14.0050	V	Rod (Lateral)	14.0330
J	Support (L. H. front)	14.0110	W	(Not Serviced - Part of Beam)	
K	Absorber (Front)	14.0250	X	Line	4.6410
L	Bumper	11.0590			
M	Arm (Tie Rod)	1.0320			

AIR SUSPENSION AIR BEAM

14.0010	1	2292812	ANGLE-air suspension air beam-LH front. To bulkhead. 13-7/16 in. long
14.0010	2	2305237	ANGLE-air suspension air beam-supt. rear RH. To bulkhead. 28-7/8 in. long. Repl. 2291307
14.0010	2	2305288	ANGLE-air suspension air beam-supporting rear LH. To bulkhead. 28-7/8 in. long. Replaces 2291308. Qty. of (1) req'd after chassis #4265.
14.0010	1	2403002	ANGLE-air suspension air beam-supt. rear LH. To blkhd. 28.88" lg. Eff. W/#4266.
14.0010	1	2291325	ANGLE-air suspension air beam-RH rear To bulkhead. 27-1/8 in. long, 9 holes.
14.0010	1	2291340	ANGLE-air suspension air beam-LH rear. To bulkhead. 27-1/8 in. long, 9 holes.
14.0010	1	2291329	ANGLE-air suspension air beam-RH rear-inner to blkhd. 27-1/8 in. long, 27 holes.
14.0010	1	2292828	ANGLE-air suspension air beam-LH rear-inner to blkhd. 27-1/8 in. long, 27 holes.
14.0020	1	2291875	BEAM-air suspension-RH. Front. Incl. shock absorber pin and nut.
14.0020	1	2292833	BEAM-air suspension-LH. Front. Incl. shock absorber pin and nut.
14.0020	1	2291370	BEAM-air suspension-RH. Rear. Incl. shock absorber pin and nut.
14.0020	1	2291371	BEAM-air suspension-LH. Rear. Incl. shock absorber pin and nut.

NOTE: Also see SL-12157 for air beams.

14.0030	4	2305257	PLATE-cover air beam inspection hole-at bulkhead. 5-3/4 x 5-3/4.
14.0040	1	2224679	SEAL-air beam-at bulkhead. 10 ft. long. Cut to req'd length.

AIR SUSPENSION BELLOWS AND SUPPORT

14.0050	4	2292367	BELLOWS-air suspension-front
14.0050	4	2292372	BELLOWS-air suspension-rear
14.0060	64	2292369	BOLT-air suspension bellows-front bellows bead ring. L type head. 5/16-24. Use W/casted ring.
14.0060	48	2292369	BOLT-air suspension bellows-rear bellows top bead ring. L type head. 5/16-24. Use W/casted ring.
14.0060	48	2296513	BOLT-air suspension bellows-rear bellows bottom bead ring. L type head. 5/16-24. Use W/casted ring.
14.0060	64	2334801	BOLT-air suspension bellows-front bellows head ring. 5/16-24 x 1-1/8 W/ctsk hd. Use W/stamped ring.
14.0060	48	2334801	BOLT-air suspension bellows-rear bellows, top head ring 5/16-24 x 1-1/8 ctsk hd. Use W/stamped ring. Prior to chassis #1759.
14.0060	66	2334801	BOLT-air suspension bellows-rear suspension front and rear bellows. 5/16-24 x 1-1/8 ctsk hd. Use W/stamped ring. Eff W/chassis #1759.
14.0060	6	2354549	BOLT-air suspension bellows-rear suspension rear bellows. 5/16-24 x 1-3/4 ctsk hd. Use W/stamped ring. Eff W/chassis #1759.
14.0060	48	2354549	BOLT-air suspension bellows-rear bellows bottom head ring. 5/16-24 x 1-3/4 ctsk hd. Use W/stamped ring. Prior to chassis #1759. Repl. 2334802 which is 5/16- 24 x 1-5/8 ctsk hd.
14.0060	24	2354549	BOLT-air suspension bellows-rear suspension front bellows bottom head ring. 5/16- 24 x 1-3/4 ctsk hd. Use W/stamped ring. Eff W/chassis #1759. Repl. 2334549 which is 5/16-24 x 1-5/8 ctsk hd.
14.0062	8	2368647	BOLT-lifting jack pad-to support. 5/16-24 x 1.62 hex. hd.
14.0063	8	287892	NUT-axle U-bolt-rear. Prior to chassis #1759.
14.0063	4	9414004	NUT-axle U-bolt-rear. 1-1/8-12 Eff W/chassis #1759 thru #4265.
14.0063	2	2260847	NUT-axle U-bolt-to RH front air suspension support.
14.0063	4	2402734	NUT-axle U-bolt-rear. 1-1/8 in-12 hex., stover heavy collar type. Eff W/chassis #4266.
14.0064	2	2368637	PAD-lifting jack-mtd. On support.
14.0065	7	2253223	PIN-dowel, air suspension-anchoring supports, radius rod lower brackets and shock absorber part of front axle center in group 1.0020.
14.0070	4	2299660	PLATE-seal air suspension support. rear prior to #1759.
14.0080	8	2334805	RING-bead, air suspension-front. Stamped metal. W/ctsk. Bolt. Repl. 2356897. Using mush hd. bolts.

NOTE: When replacing 2356897 ring by 2334805 ring it is also necessary to order
16-2334801 bolt per bellow.

14.0080	8	2334809	RING-bead, air suspension-rear. Stamped metal W/ctsk bolts. Repl. 2356896 using mush hd. bolts.
---------	---	---------	--

NOTE: When replacing 2356896 ring by 2334809 ring it is also necessary to order 24-2334801 bolt & 3-2354549 bolt per below.

14.0090	4	2292370	RING-girdle air suspension bellows-front. At center of bellows.
14.0090	4	2292374	RING-girdle air suspension bellows-rear. At center of bellows.
14.0100	2	2293387	SPACER-air suspension-support & radius rod bracket to front axle. 5 one side, 3-3/8 other side x 3-1/4 high.
14.0100	2		SPACER-air suspension-support & radius rod bracket to axle. 6-1/2 x 3-1/4. Proc loc.
14.0100	2	2294223	SPACER-air suspension-rear axle u-bolt 4-1/8 x 6-3/4 prior to 1759.
14.0100	2	2379192	SPACER-air suspension-rear axle u-bolt. Eff w/1759. Repl 2353924.
14.0100	1	2293767	SPACER-air suspension-front axle u-bolt 1-1/2 x 4-1/4.
14.0110	1	2293426	SUPPORT-air suspension-RH front. Incl radius lateral rod, bracket & studs.
14.0110	1	2293385	SUPPORT-air suspension-LH front. Incl studs.
14.0110	1	2292859	SUPPORT-air suspension-RH rear. Incl shock absorber pin, washer, nut, radius rod pin & dowel pin prior to 1759.
14.0110	1	2292860	SUPPORT-air suspension-bracket. LH rear. Incl shock absorber pin, washer, nut, radius rod pin & dowel pin prior to 1759.
14.0110	1	2375156	SUPPORT-air suspension-RH rear. Incl shock absorber pin, axle seat, torque rod pin and washer. Eff w/1759. Repl 2353802, 2363374.
14.0110	1	2375155	SUPPORT-air suspension-LH rear. Incl shock absorber pin, axle seat, torque rod pin and washer. Eff w/1759. Repl 2353801, 2363373.

NOTE: Also see SL-12157 for supports.

14.0110	1	2244560	SUPPORT-air suspension-u-bolt. RH front.
14.0115	1	2293781	U-BOLT-axle-RH front.
14.0115	4	2293340	U-BOLT-axle-rear prior to 1759.
14.0115	2	2353813	U-BOLT-axle-rear. 1-1/8-12 x 10.24 in. Eff w/chassis #1759. Repl 2385584.
14.0117	8	2292300	WASHER-axle u-bolt-rear axle. 1-7/8 ID x 1-1/32 OD.
14.0117	2	2265244	WASHER-axle u-bolt-brace & support to front axle u-bolt.
14.0117	4	2366765	WASHER-axle u-bolt-rear axle-1.18 ID, 2.24 OD.

AIR SUSPENSION LEVELING VALVE

14.0120	1	5518488	VALVE-leveling, air suspension height control, front. Complete. Stpd 5518488.
14.0120	1	5544440	VALVE-leveling, air suspension height control, front. Complete. Stpd 5544440. Repl 5544881.
14.0120	1	5352873	VALVE-leveling, air suspension height control, RH rear. Complete. Stpd 5352873.
14.0120	1	5544883	VALVE-leveling, air suspension height control, RH rear. Complete. Stpd 5544883.
14.0120	1	5544442	VALVE-leveling, air suspension height control, RH rear. Complete. Stpd 5544442.
14.0120	1	5352874	VALVE-leveling, air suspension height control, LH rear. Complete. Stpd 5352874.
14.0120	1	5544882	VALVE-leveling, air suspension height control, LH rear. Complete. Stpd 5544882.
14.0120	1	5544441	VALVE-leveling, air suspension height control, LH rear. Complete. Stpd 5544441.
14.0122	AR	5303138	VALVE-check, air suspension leveling valve, 4-req'd on leveling valve #5352874 & 5352873.
14.0123	6	5303123	VALVE-control, air suspension leveling valve, incl washer, stem, cage, guide & spring. 2-per valve.
14.0124	3	5303142	VALVE-needle, air suspension leveling valve, 1-per valve.
14.0124M	1	2376294	KIT-repair, air suspension height control valve, front valve w/5518488 valve.
14.0124M	2	2376295	KIT-repair, air suspension height control valve, rear valve w/5352873-4 valve.
14.0124M	AR	5554592	KIT-repair, air suspension height control valve, w/5544481-2-3 and 5544440-1-2 valves.

NOTE: The above kits consist of control valve, diaphragm & plunger, check valve, actuating arm & shaft seal, gaskets, check valve spring, tappet, O-ring, retaining ring, link, retainer, diaphragm retaining washer & port silencer.

14.0124R	4	5549530	ADAPTER-air suspension leveling valve-wheel reservoir. Part of 5544881-2-3 and 5544440-1-2 valves.
14.0124R	4	5549539	ADAPTER-air suspension leveling valve-intake check. Incl insert. Part of 5544881-2-3 and 5544440-1-2 valves.
14.0125M	3	5303146	ARM-air suspension leveling valve shaft. Part of 5518488, 5352873-4 valves
14.0126	3	5303152	BEAM-air suspension leveling valve cam follower-1-per valve. Part of 5518488, 5352873-4 valves.

14.0127	3	5303141	BODY-air suspension leveling valve damper housing-stpd. 5303141. 1-per valve. Part of 5518488, 5352873-4 valves.
14.0128	2	5337931	BODY-air suspension leveling valve housing-rear valve. Part of leveling valves #5352873 & 5352874. Screw 1/4-28 x 3/4, 1/4-28 x 1-1/4 fillister hd.
14.0128	1	5518490	BODY-air suspension leveling valve housing-front valve. Casted #5518488. Screw 1/4-28 x 3/4, 1/4-28 x 1-1/4 fillister hd.
14.0129	3	5549013	BODY-air suspension leveling valve overtravel control-1 per valve. Part of 5549511-12 controls in valve 55481-2-3.
14.0129	3	5544444	BODY-air suspension leveling valve overtravel control-1 per valve. Part of 5544473-4 controls in valve 5544440-1-2.
14.0130	1	2301292	BRACE-air suspension leveling valve link-front.
14.0140	2	2304619	BRACKET-air suspension leveling valve-rear-prior to chassis #4266.
14.0140	3	5549525	BRACKET-air suspension leveling valve-mounting, also cover plate. Part of 5544881-2-3 and 5544440-1-2 valves.
14.0150	1	2304665	BRACKET-air suspension leveling valve link-RH rear. Incl pad prior to 1759.
14.0150	1	2304666	BRACKET-air suspension leveling valve link-LH rear. Incl pad prior to 1759.
14.0150	1	2353901	BRACKET-air suspension leveling valve link-RH rear. Incl pad. Eff w/1759-4266.
14.0150	1	2400804	BRACKET-air suspension leveling valve link-RH rear. W/spacer. Eff w/chassis #4266.
14.0150	1	2353902	BRACKET-air suspension leveling valve link-LH rear. Incl pad. Eff w/1759-4266.
14.0150	1	2400803	BRACKET-air suspension leveling valve link-LH rear. W/spacer. Eff w/chassis #4266.
14.0151N	3	5540078	CLIP-locking, air suspension leveling valve-exhaust core. Part of 5544881-2-3 and 5544440-1-2 valves.
14.9151P	1	5549511	CONTROL-overtravel, air suspension leveling valve-front. Part of 5544881 valve.
14.9151P	1	5544473	CONTROL-overtravel, air suspension leveling valve-front. Part of 5544440 valve.
14.9151P	1	5549511	CONTROL-overtravel, air suspension leveling valve-rear RH. Part of 5544883 valve.
14.9151P	1	5544473	CONTROL-overtravel, air suspension leveling valve-rear RH. Part of 5544442 valve.
14.0151P	1	5549512	CONTROL-overtravel, air suspension leveling valve-rear LH. Part of 5544882 valve.
14.0151P	1	5544474	CONTROL-overtravel, air suspension leveling valve-rear LH. Part of 5544441 valve.

NOTE: The above overtravel control assemblies incl body, lever, stud, screw units, washer, shaft, rings, spring, piston, plug, fastener and seals.

14.0151R	3	5533273	CORE-air suspension leveling valve-intake valve. Part of 5544881-2-3 and 5544440-1-2 valves.
14.0151R	3	5533276	CORE-air suspension leveling valve-exhaust valve. Part of 5544881-2-3 and 5544440-1-2 valves.
14.0151R	3	5540498	CORE-air suspension leveling valve-intake check adapter. Part of 5544881-2-3 and 5544440-1-2 valves.
14.0151T	3	5549541	COVER-air suspension leveling valve piston-delay. Or plate. Part of 5544881-2-3 and 5544440-1-2 valves.
14.0152	3	5303150	COVER-end, air suspension leveling valve shaft 1-per valve. Screw #8-32 x 3/8 rd hd. Part of 5518488, 5352873-4 valves.
14.0154	6	5303132	DIAPHRAGM-air suspension leveling valve-incl plunger, bonded. 2-per valve. Part of 5518488, 5352873-4 valves.
14.0154M	3	5540191	FILTER-air suspension leveling valve-exhaust. Part of 5544881-2-3 and 5544440-1-2 valves.
14.0155	7	5549533	GASKET-air suspension leveling valve-adapter retaining. Part of 5544881-2-3 and 5544440-1-2 valves.
14.0155	AR	5323846	GASKET-air suspension leveling valve-check valve cover nut. 4-req'd on leveling valve #5518488, 1-req'd on leveling valve #5352873 & 4.
14.0155	6	5303157	GASKET-air suspension leveling valve-expansion plug. 2-per valve. Part of 5518488, 5352873-4 valves.
14.0155	3	5524030	GASKET-air suspension leveling valve-filler plug. .320 ID x 29/64 OD, alum. 1-per valve repl 827799. Part of 5518488, 5352873-4 valves.
14.0155	3	5303260	GASKET-air suspension leveling valve-shaft oil seal. .885 ID x 1-1/8 OD. Cork neoprene 1-per valve.
14.0155	3	5303149	GASKET-air suspension leveling valve-shaft end cover. 25/32 ID w/three 11/64 holes 1-per valve. Part of 5518488, 5352873-4 valves.
14.0155	3	5303140	GASKET-air suspension leveling valve-housing body. 2-7/16 wide x 4-3/8 long. W/four 17/64 dia. holes. 1-per valve. Part of 5518488, 5352873-4 valves.

14.0155	6	5323845	GASKET-air suspension leveling valve-control valve cover nut. 2-per valve. Part of 5518488, 5352873-4 valves.
14.0157	6	5303127	GUIDE-leveling valve control valve-part of 5303123 valve. Part of 5518488, 5352873-4 valves.
14.0160	1	2297029	HANGER-air suspension leveling valve-front.
14.0164	3	5549549	LEVER-air suspension leveling valve, incl screw. Intake core. Part of 5544881-2-3 and 5544440-1-2 valves.
14.0164	3	5549550	LEVER-air suspension leveling valve. Incl screw, exhaust core. Part of 5544881-2-3 and 5544440-1-2 valves.
14.0166	3	5549517	LEVER-air suspension overtravel control-1-per valve. Part of 5549511-12. Controls in valve 5544481-2-3.
14.0166	3	5544443	LEVER-air suspension overtravel control-1-per valve. Part of 5544473-4. Controls in valve 5544440-1-2.
14.0170	3	5549280	LINK-air suspension leveling valve-1-per valve. W/5544481-2-3 and 5544440-1-2 valves.
14.0170	3	5513930	LINK-air suspension leveling valve-3/8-24, RH thd. W/5518488, 5352873-4 valves.
14.0170	3	5513931	LINK-air suspension leveling valve-3/8-24, LH thd. W/5518488, 5352873-4 valves.
14.0170	6	5303158	LINK-air suspension leveling valve-cam follower beam to piston coupling link. 2-per valve. Part of 5518488, 5352873-4 valves.
14.0175	AR	5303137	NUT-air suspension leveling valve-check valve cover. 3/8-24 ext thd rd-hd slotted 9/16 thk 4-req'd on leveling valve #5518488, 1-req'd on leveling valve #5352873 & 4.
14.0175	3	1069635	NUT-air suspension leveling valve-overtravel control lever screw. 1-per valve. Part of 5549511-12. Controls in 5544481-2-3 valves.
14.0175	3	5524846	NUT-air suspension leveling valve-overtravel control lever stud. 1-per valve. Part of 5544473-4. Controls in 5544440-1-2 valves.
14.0175	6	5303122	NUT-air suspension leveling valve-check valve cover. 7/8-14 ext thd hex hd 2-per valve. Part of 5518488, 5352873-4 valves.
14.0180	6	274635	NUT-air suspension leveling valve link-3/8-24 hex lock repl 2266505.
14.0180	3	103026	NUT-air suspension leveling valve link-3/8-24, RH thd. Part of 5303268 link.
14.0180	3	5303274	NUT-air suspension leveling valve link-3/8-24, LH thd. W/5518488, 5352873-4 valves.
14.0185	6	5303130	NUT-lock, air suspension leveling valve-control valve. 9/16-18 rd hd slotted, 3/4 OD x 1/8 thk 2-per valve. Part of 5518488, 5352873-4 valves.
14.0185	3	5303136	NUT-lock, air suspension leveling valve-retaining silencer. 9/16-18 ext thd x 1/4 thk slotted. 1-per valve. Part of 5518488, 5352873-4 valves.
14.0185	6	5303131	NUT-lock, air suspension leveling valve-diaphragm. 3/4-20 w/ext thd rd hd slotted 7/16 ID x 3/16 thk 2-per valve. Part of 5518488, 5352873-4 valves.
14.0189	3	5549524	PIN-air suspension leveling valve piston-part of 5544881-2-3 and 5544440-1-2 valves.
14.0190	6	5303156	PIN-pivot, air suspension leveling valve-cam follower beam to link. 3/16 dia x .975 long. 2-per valve. Part of 5518488, 5352873-4 valves.
14.0190	6	5303160	PIN-pivot, air suspension leveling valve-piston coupling link to damper piston 3/16 dia x 7/32 long. 2-per valve. Part of 5518488, 5352873-4 valves.
14.0194	3	5549518	PISTON-air suspension leveling valve. Delay. Part of 5544881-2-3 and 5544440-1-2 valves.
14.0194	3	5549023	PISTON-air suspension leveling valve-overtravel control 1-per valve. Part of 5544481-2-3 and 5544440-1-2 valves.
14.0195	3	5325507	PISTON-air suspension leveling valve damper-1-per valve. Part of 5518488, 5352873-4 valves.
14.0200	6	5520277	PLUG-air suspension leveling valve-expansion 1-1/8 dia 2-per valve. Part of 5518488, 5352873-4 valves.
14.0200	3	5352262	PLUG-air suspension leveling valve-filler 5/16-24 ext thd, hex hd x 3/4 long. 1-per valve. Part of 5518488, 5352873-4 valves.
14.0200	3	5549522	PLUG-air suspension leveling valve. Delay. Part of 5544881-2-3 and 5544440-1-2 valves.
14.0200	3	5549542	PLUG-air suspension leveling valve. Exhaust. Part of 5544881-2-3 and 5544440-1-2 valves.
14.0200	3	5549026	PLUG-air suspension leveling valve-end. Overtravel control .547 in small dia 23/32 in large dia x .187 in long, syn, ru 1-per valve. Part of 5549511-12 and 5544473-4. Controls in 5544481-2-3 and 5544440-1-2 valves.
14.0205	3	5549027	RETAINER-air suspension leveling valve-overtravel control end plug. Push on type. 1-per valve. Part of 5549511-12 and 5544473-4. Controls in 5544481-2-3 and 5544440-1-2 valves.
14.0205	6	5303155	RETAINER-air suspension leveling valve-cam follower tappet spring. 5/8 OD x .455 thk. W/one. .195 dia hole. 2-per valve. Part of 5518488, 5352873-4 valves.
14.0209	4	9412179	RING-retaining, air suspension overtravel control. On shaft. Part of 5544881-2-3 and 5544440-1-2 valves.

14.0210	3	5303148	RING-retaining, air suspension leveling valve shaft-1-per valve. Part of 5518488, 5352873-4 valves.
14.0213	3	5517140	RING-seal, air suspension leveling valve-needle valve. 11/64 ID x 5/16 OD. 1-per valve. Part of 5518488, 5352783-4 valves.
14.0213	3	5549544	RING-seal, air suspension leveling valve-on overtravel shaft. 1.76 in ID x .316 in OD syn ru. 1-per valve. Part of 5549511-12 and 5544473-4. Controls in 5544481-2-3 and 5544440-1-2 valves.
14.0213	3	5549544	RING-seal, air suspension leveling valve-on overtravel shaft. .237 in ID x .379 in OD syn ru. 1-per valve. Part of 5549511-12 and 5544473-4. Controls in 5544481-2-3 and 5544440-1-2 valves.
14.0213	3	5549030	RING-seal, air suspension leveling valve-on overtravel shaft. .296 in ID x .436 in OD syn ru. Part of 5549511-12 and 5544473-4. Controls in 5544481-2-3 and 5544440-1-2 valves.
14.0213	3	5549546	RING-seal, air suspension leveling valve. Exhaust plug. Part of 5544881-2-3 and 5544440-1-2 valves.
14.0213	7	5533240	RING-seal, air suspension leveling valve. Intake and wheel adapter.
14.0213	2	5549547	RING-seal, air suspension leveling valve. Delay piston cover. Part of 5544881-2-3 and 5544440-1-2 valves.
14.0213R	3	5540093	SCREEN-air suspension leveling valve-Intake. Part of 5544881-2-3 and 5544440-1-2 valves.
14.0214	3	9411839	SCREW-air suspension leveling valve-retaining, overtravel control lever. 1-per valve. #8-32 x 1 in hex w/washer hd machine screw. Steel. Part of 5549511-12 controls in valve 5544481-2-3.
14.0214	3	5549532	SCREW-air suspension leveling valve. Intake core lever. Socket head. Part of 5544481-2-3 and 5544440-1-2 valves.
14.0214	3	5549534	SCREW-air suspension leveling valve. Exhaust core lever. Socket head. Part of 5544481-2-3 and 5544440-1-2 valves.
14.0214R	3	5549947	SEAL-air suspension overtravel control body-rubber. 1-per valve. Part of 5549511-12 and 5544473-4 in 5544481-2-3 and 5544440-1-2 valves.
14.0215	3	5303144	SEAL-oil, air suspension leveling valve shaft-5/8 ID x 1-1/8 OD x 1/2 thk. 1-per valve.
14.0220	3	5303145	SHAFT-air suspension leveling valve-incl arm serrated. 1-per valve. Part of 5518488, 5352873-4 valves.
14.0220	3	5303147	SHAFT-air suspension leveling valve. Part of 5518488, 5352873-4 valves.
14.0220	1	5549513	SHAFT-air suspension leveling valve-front overtravel control. Part of 5549511-5544473 controls in 5544481-5544440 valves.
14.0220	1	5549513	SHAFT-air suspension leveling valve-rear RH control. Part of 5549511-5544473 controls in 5544483-5544442 valves.
14.0220	1	5549514	SHAFT-air suspension leveling valve-rear LH control. Part of 5549512-5544474 controls in 5544482-5544441 valves.
14.0225	3	5303135	SILENCER-air suspension leveling valve air exhaust port-1-per valve. Part of 5518488, 5352873-4 valves.
14.0227	1	2403001	SPACER-air suspension leveling valve-front valve. 3/8 in x 3/4 in x 2-1/4 in steel. W/two .281 holes.
14.0230	AR	5303139	SPRING-air suspension leveling valve-check valve. 4-req'd on leveling valve #5352873 and 4.
14.0230	6	5303154	SPRING-air suspension leveling valve-cam follower tappet. 2-per valve. Part of 5518488, 5352873-4 valves.
14.0230	6	5303124	SPRING-air suspension leveling valve-control valve. Part of 5303123 valve.
14.0230	3	5549515	SPRING-air suspension leveling valve-major, overtravel control. 8-1/2 in active turns. .286 ID x .440 OD x 1-1/4 in free lgth. 1-per valve. Part of 5549511-12 and 5544473-4 controls in 5544481-2-3 and 5544440-1-2 valves.
14.0230	3	5549516	SPRING-air suspension leveling valve-minor. Overtravel control. .14 active turns. .160 in ID x .276 in OD x 1-7/32 free lgth. 1-per valve. Part of 5549511-12 and 5544473-4 controls in 5544481-2-3 and 5544440-1-2 valves.
14.0232	6	5303128	STEM-air suspension leveling valve-control valve. Part of 5303123 valve. Part of 5518488, 5352873-4 valves.
14.0232	3	5544468	STUD-retaining, air suspension overtravel control-1-per valve. 1/4-28 x 1-11/32 special. Part of 5544473-4 controls in valve 5544440-1-2.
14.0235	6	5303153	TAPPET-air suspension leveling valve cam follower-2-per valve. Part of 5518488, 5352873-4 valves.
14.0238	3	5303273	TURNBUCKLE-air suspension leveling valve link w/5518488, 5352873-4 valves.
14.0238N	3	5363504	WASHER-air suspension leveling valve-overtravel control lever stud. 1-per valve. Part of 5544473-4 controls in 5544440-1-2 valves.
14.0239	6	5303126	WASHER-air suspension leveling valve control valve-part of valve #5303123. Part of 5518488, 5352873-4 valves.

14.0240 6 5303134 WASHER-retaining, air suspension leveling valve diaphragm-15/32 ID x 11/16 OD x 1/8 thk. 2-per valve.

SHOCK ABSORBER

14.0250 2 5316984 ABSORBER-shock-front. Repl 5522781.
 14.0250 2 5352857 ABSORBER-shock-rear. Eff w/chassis 1301.
 14.0250 2 5316793 ABSORBER-shock-rear. Repl 5394468 prior to chassis 1301.

NOTE: Also see SL-12157 for shock absorbers.

14.0260 1 2322341 BRACKET-shock absorber, rear LH.
 14.0260 1 2322342 BRACKET-shock absorber, rear RH.
 14.0260 2 2292887 BRACKET-shock absorber axle-front.
 14.0273 4 5302349 GASKET-shock absorber piston rod guide-part of 5394467-8 absorber.
 14.0275 4 5516596 GASKET-shock absorber reservoir-2.350 ID x 2.812 OD x .445 thk cork. Part of 5394467-8 absorber.
 14.0280 16 2350908 GROMMET-shock absorber pin-front and rear. Repl 2350908.
 14.0283 4 5516654 GUIDE-shock absorber piston rod-incl seal and gskt. Part of 5394467-8 absorber.
 14.0290 4 274639 NUT-shock absorber bracket u-bolt-front. 5/8-18 hex.
 14.0300 AR 274640 NUT-shock absorber pin-front and rear. 3/4-16 hex.
 14.0302 4 5516595 NUT-retaining, shock absorber cylinder-2-7/8-16 ext thd part of 5394467-8 absorber.
 14.0303 4 1061088 NUT-retaining, shock absorber piston-9/16-18 int thd. Part of 5394467-8 absorber.
 14.0310 4 2276254 PIN-shock absorber-front and rear. Upper.
 14.0310 2 2292836 PIN-shock absorber-rear. Lower. Part of rear support.
 14.0311 4 5515724 PISTON-shock absorber-part of 5394467-8 absorber.
 14.0312E 4 1061062 PLATE-shock absorber intake valve-part of 5394467-8 absorber.
 14.0312G 4 1061063 SEAL-shock absorber piston rod guide-part of 5394467-8 absorber.
 14.0312J 4 1061061 SPRING-shock absorber intake valve-part of 5394467-8 absorber.
 14.0312L 2 5383649 SPRING-shock absorber rebound relief valve-part of 5394467 front absorber.
 14.0312L 2 5383646 SPRING-shock absorber rebound relief valve-part of 5394468 rear absorber.
 14.0313E 4 5394360 TUBE-shock absorber cylinder-12 in long. Part of 5394467-8 absorber.
 14.0314 2 2292888 U-BOLT-shock absorber bracket-front axle.
 14.0314E 4 5513126 VALVE-compression, shock absorber-part of 5394467-8 absorber.
 14.0314G 4 1062904 WASHER-retaining, shock absorber reservoir gasket-2.382 ID x 2.818 OD. Part of 5394467-8 absorber.
 14.0314G 4 5516594 WASHER-retaining, shock absorber reservoir gasket-1.760 ID x 2.817 OD. W/6 notches. Part of 5394467-8 absorber.
 14.0315 3 2265244 WASHER-shock absorber bracket u-bolt nut-25/32 ID x 1-5/16 OD.
 14.0319 4 1061060 WASHER-shock absorber intake valve-stop .566 ID x 1-9/16 OD. W/six .190 dia holes. Part of 5394467-8 absorber.
 14.0319 4 1061014 WASHER-shock absorber intake valve-support .566 ID x 1-3/16 OD x 5/32 thk. Part of 5394467-8 absorber.
 14.0320 8 2276286 WASHER-shock absorber pin-front and rear 25/32 ID x 2 OD.
 14.0320 2 2292837 WASHER-shock absorber pin-lower. Rear. Part of rear support. 25/32 ID x 1-1/2 OD.
 14.0322 4 1063182 WASHER-shock absorber rebound valve-orice w/3 slots. .564 ID x 1.213 OD x .006 thk. Part of 5394467-8 absorber.
 14.0322 4 5326888 WASHER-shock absorber rebound valve-spacing .564 ID x 1.213 OD x .010 thk. Part of 5394467-8 absorber.
 14.0323 4 1061087 WASHER-shock absorber spring seat-.888 ID x 1.223 OD. Part of 5394467-8 absorber.
 14.0324 4 1061086 WASHER-spacer, shock absorber-.564 ID x .937 OD. Part of 5394467-8 absorber.

RADIUS RODS

14.0330 3 2293083 ROD-radius-front axle. Upper and lower.
 14.0330 1 2293081 ROD-radius-front axle. Lateral.
 14.0330 2 2292857 ROD-radius-rear axle. Upper.
 14.0330 2 2293078 ROD-radius-rear axle. Lower.
 14.0340 1 2292130 BRACKET-radius rod-front axle RH. At axle end. Repl 2293410.
 14.0340 1 2292131 BRACKET-radius rod-front axle LH. At axle end. Repl 2293411.
 14.0340 1 2312193 BRACKET-radius rod-front axle RH. Lower. At bulkhead. Repl 2292895.
 14.0340 1 2312191 BRACKET-radius rod-front axle LH. Lower. At bulkhead. Repl 2293363.

14.0340	1	2312192	BRACKET-radius rod-front axle. Upper. At bulkhead. Repl 2293737.
14.0340	1	2293751	BRACKET-radius rod-rear axle. Anchor. Less pin and nuts.
14.0340	1	2291847	BRACKET-radius rod-rear axle RH. Upper. At air beam.
14.0340	1	2291848	BRACKET-radius rod-rear axle LH. Upper. At air beam.
14.0340	1	2291849	BRACKET-radius rod-rear axle RH. Lower. At bulkhead.
14.0340	1	2291850	BRACKET-radius rod-rear axle LH. Lower. At bulkhead.
14.0350	4	2239395	BOLT-radius rod bracket-RH lower bracket to bulkhead. 7/16-20 x 1-3/4.
14.0350	4	2296207	BOLT-radius rod bracket-LH lower bracket to bulkhead. 7/16-20 x 2.
14.0350	10	2316021	BOLT-radius rod bracket-to bulkhead, tire comp and angle. 7/16-20 x 1-7/8.
14.0350	6	2316021	BOLT-radius rod bracket-to bulkhead, tire comp and angle. 7/16-20 x 1-7/8.
14.0350	11	2296202	BOLT-radius rod bracket-to bulkhead and air beam. 7/16-20 x 1-3/8.
14.0350	12	2296201	BOLT-radius rod bracket-to bulkhead and air beam. 7/16-20 x 1-9/16.
14.0350	5	2102645	BOLT-radius rod bracket-upper bracket to bulkhead. 7/16-20 x 1-5/8, lgth of thd 15/16.
14.0350	1	2102645	BOLT-radius rod bracket-upper bracket to bulkhead. 7/16-20 x 1-5/8 lgth of thd 15/16.
14.0350	1	2296238	BOLT-radius rod bracket-upper bracket to bulkhead. 1/2-20 x 1-5/8.
14.0350	1	2296238	BOLT-radius rod bracket-LH lower bracket to bulkhead. 1/2-20 x 1-5/8.
14.0350	4	2296214	BOLT-radius rod bracket-lower bracket to angle and bulkhead. 1/2-20 x 1-3/4.
14.0350	3	2296213	BOLT-radius rod bracket-lower bracket to angle and bulkhead. 1/2-20 x 1-1/2.
14.0350	2	2296216	BOLT-radius rod bracket-lower bracket to angle and bulkhead. 1/2-20 x 3-7/8.
14.0350	6	2296215	BOLT-radius rod bracket-lower bracket to angle and bulkhead. 1/2-20 x 1-7/8.
14.0350	4	2296215	BOLT-radius rod bracket-lower bracket to bulkhead. 1/2-20 x 1-7/8.
14.0350	7	2296238	BOLT-radius rod bracket-lower bracket to bulkhead. 1/2-20 x 1-5/8.
14.0350	7	2296214	BOLT-radius rod bracket-lower bracket to bulkhead. 1/2-20 x 1-3/4.
14.0350	8	2102645	BOLT-radius rod bracket-upper bracket to air beam. 7/16-20 x 1-5/8, lgth of thd 15/16.
14.0350	8	2296211	BOLT-radius rod bracket-upper bracket to air beam. 7/16-20 x 1-3/8, lgth of thd 5/8.
14.0350	8	2296212	BOLT-radius rod bracket-to air beam and crossmember. 7/16-20 x 1-5/8, lgth of thd 5/8.
14.0350	2	2296202	BOLT-radius rod bracket-upper bracket to bulkhead. 7/16-20 x 1-3/8, lgth of thd 9/16.
14.0350	12	2296239	BOLT-radius rod bracket-lower bracket to crossmember. 3/8-24 x 1-1/2.
14.0350	AR	2228514	BOLT-radius rod bracket-anchor plate and bracket. 3/4-16 x 4-1/4.
14.0350	AR	2228514	BOLT-radius rod bracket-radius rod to bracket. 3/4-16 x 4-1/4.
14.0350	4	2296201	BOLT-radius rod-RH lower bracket to bulkhead. 7/16-20 x 1-9/16.
14.0350	4	2316021	BOLT-radius rod-LH lower bracket to bulkhead. 7/16-20 x 1-7/8.
14.0350	10	2296201	BOLT-radius rod-bracket to bulkhead and tire compartment panel and angle. 7/16-20 x 1-9/16.
14.0350	6	2316021	BOLT-radius rod-bracket to bulkhead and tire compartment panel and angle. 7/16-20 x 1-7/8.
14.0350	11	2102645	BOLT-radius rod-bracket to bulkhead and air beam. 7/16-20 x 1-5/8.
14.0350	12	2296202	BOLT-radius rod-bracket to bulkhead and air beam. 7/16-20 x 1-3/8.
14.0350	16	2080986	BOLT-radius rod-bracket to air beam. 7/16-20 x 1-3/8.
14.0350	8	2296202	BOLT-radius rod-bracket to air beam and crossmember. 7/16-20 x 1-3/8.
14.0350	2	2102645	BOLT-radius rod-bracket to longitudinal bulkhead. 7/16-20 x 1-5/8.
14.0350	1	2296201	BOLT-radius rod-bracket to longitudinal bulkhead. 7/16-20 x 1-9/16.
14.0350	5	2123612	BOLT-radius rod-bracket to longitudinal bulkhead. 7/16-20 x 1-1/8.
14.0350	1	2296213	BOLT-radius rod-bracket to longitudinal bulkhead. 1/2-20 x 1-1/2.
14.0350	4	2296238	BOLT-radius rod-bracket to angle and longitudinal bulkhead. 1/2-20 x 1-5/8.
14.0350	7	2296213	BOLT-radius rod-bracket to bulkhead. 1/2-20 x 1-1/2.
14.0350	1	2296238	BOLT-radius rod-bracket to bulkhead. 1/2-20 x 1-5/8.
14.0350	12	2252377	BOLT-radius rod-bracket to crossmember. 3/8-24 x 1-3/8.
14.0360	16	2314759	BUSHING-radius rod-front and rear. Repl 2292246.
14.0368	2	2312963	KEY-radius rod-anchor bracket.
14.0369	2	274639	NUT-radius rod-rear axle anchor brkt. Pin clamp bolt. 5/8-18.
14.0370	AR	274640	NUT-radius rod bolt-anchor plate. 3/4-16 lock.
14.0372	2	2313766	NUT-radius rod-anchor bracket stud.
14.0380	2	2229139	PIN-dowel rear axle locating-part of rear support. 1/2 in dia x 19/32 in long.
14.0390	1	2293753	PIN-rear axle radius rod-anchor bracket 1-1/2 OD x 8-1/16 in long.
14.0390	2	2292530	PIN-rear axle radius rod-part of rear support. 4-15/16 in long.
14.0400	14	2292123	PLATE-anchor radius rod-front and rear.
14.0408	AR	2309682	SCREW-cap, radius rod-front and rear anchor brkts, supports and lower radius rod pin 3/4-10 x 1-5/8. Eff w/chassis #1001.
14.0408	4	2356457	SCREW-cap, radius rod-rear lower radius rod pin 3/4-10 x 1-7/8.
14.0410	7	2292124	SPACER-radius rod-front and rear to anchor plate.

14.0420	6	2304543	STUD-radius rod bracket-rear axle. 3/4-10, 3/4-16 x 3/3/16.
14.0430	20	2293296	STUD-radius rod pin-3/4-10, 16 x 2-1/2.
14.0435	AR	2265245	WASHER-radius rod axle bracket nut-front support to radius rod.
14.0440	2	2293596	WASHER-radius rod pin-3-3/8 OD, 2 holes, 49/64 dia 7/16 in thick.
14.0440	AR	2292152	WASHER-radius rod pin-4 OD, 2 holes, 49/64 dia, 7/16 in thick.
14.0440	2	2386091	WASHER-radius rod pin-4 in OD w/2 holes .766 dia, 1/2 in thk.
14.0450	AR	2259327	WEDGE-dowel-anchor bracket and lower radius pin capscrew.

AIR SUSPENSION AIR TANK

14.0460	1	2296461	TANK-air, air suspension-or aux.
14.0470	1	144038	BUSHING-air tank drain cock-to air tank 1/2 x 1/4 pipe.
14.0480	1	647962	COCK-drain air suspension air tank.
14.0490	1	279854	CONNECTOR-air line to valve.
14.0500	AR	2224980	LINE-drain air suspension air tank-3/8 OD, .049 wall, 25 ft long, copper. Ctl.
14.0510	AR	2224544	LOOM-air suspension air tank u-bolt-5/16 ID 25 ft roll.
14.0520	2	2224296	U-BOLT-air suspension air tank.

AIR SUSPENSION CHECK VALVE

14.0615	1	094095	VALVE-check, air suspension air tank.
14.0620	3	2294810	VALVE-check, air suspension height control.
14.0630	3	2294811	BODY-air suspension check valve.
14.0630	1	2148572	BODY-air suspension check valve-air tank. Part of valve #2148946.
14.0640	3	2294814	CAP-air suspension check valve.
14.0665	1	2148577	GASKET-air suspension check valve-air tank. Part of valve #2148946.
14.0670	3	2294813	GROMMET-air suspension check valve-.551 ID x .671 OD, rubber.
14.0672	1	2148576	GUIDE-air suspension check valve ball-air tank. Part of valve #2148946.
14.0675	1	2148573	NUT-air suspension check valve-air tank. Part of valve #2148946.
14.0677	1	2148574	SEAT-air suspension check valve-air tank. Part of valve #2148946.
14.0680	3	2294812	SPRING-air suspension check valve-part of valve #2292354 and 2333625.

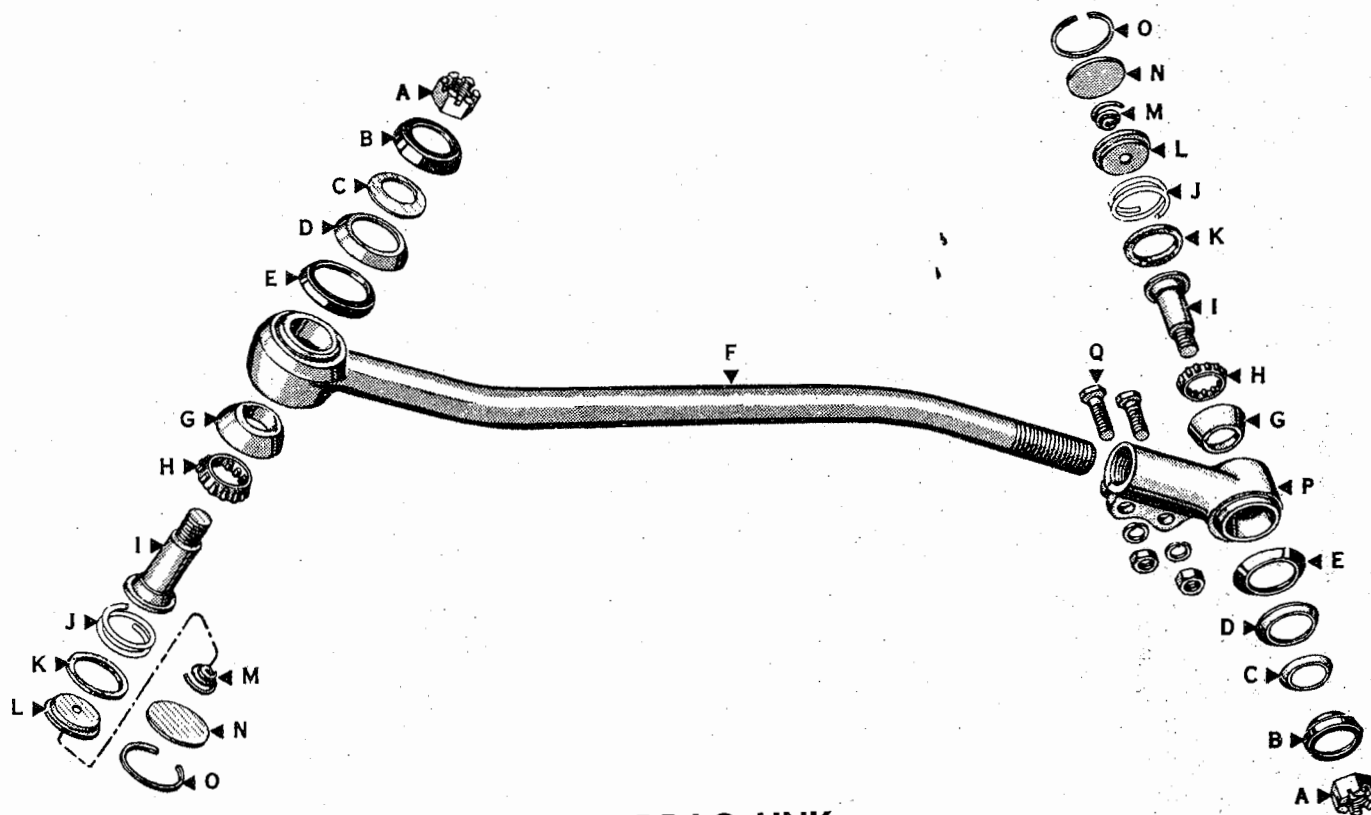
AIR SUSPENSION AIR FILTER

14.0700	AR	2333624	VALVE-filter, air suspension height control valve-incl body, cover, grommet, tapered strainer and spring. Repl 2292353, 2233625.
14.0710	AR	2294806	BODY-air suspension air filter.
14.0720	AR	2294808	COVER-air suspension air filter.
14.0730	AR	235831	CUP-air suspension air filter strainer. Part of valve 2292353.
14.0740	AR	2294807	GROMMET-air suspension air filter-.739 ID x .879 OD, rubber.
14.0745	AR	2333615	SPRING-air suspension air filter-part of valve 2333624.
14.0750	AR	2333614	STRAINER-air suspension air filter-tapered. Part of 2333624. Repl 2294805.

AIR SUSPENSION AIR LINES

14.0760	AR	2303774	BUSHING-reducing air suspension air line-incl 7/16 in line. Welded, 2-3/16 in long.
14.0775	AR	120523	CLIP-air suspension air line-3/8 in dia w/1/4 in bolt hole.
14.0780	AR	279854	CONNECTOR-air suspension air line-to valve tee. Use w/3/4 line, sleeve and nut at one end, 1/4 pipe thd at other end, approx 2 in long. Prior to chassis #4266.
14.0780	4	2172497	CONNECTOR-air suspension air line-to air filter and front air beam. Use w/3/8 line, 1-23/64 in long. Prior to chassis #4266.
14.0780	1	2301720	CONNECTOR-air suspension air line-union.
14.0780	1	279855	CONNECTOR-air suspension air line-tee. Use w/3/8 line, sleeve and nut on each of 3 ends.
14.0780	1	2047051	CONNECTOR-air suspension air line-tee. Air line to air tank.
14.0780	AR	238476	CONNECTOR-air suspension air line-air line to elbow. For use w/3/8, 1/8 in int pipe thd x 1-3/4 in long.
14.0780	AR	2403702	ELBOW ASSY. - air suspension air line-air line to air beam. Effective w/chassis #4266.
14.0790	AR	137405	CONNECTOR-air suspension air line-air line to front leveling valve. For use w/1/4 in line, 1/8-27 ext thd, 7/16-24 int thd.
14.0790	AR	279853	ELBOW-air suspension air line. For use w/3/8 in line, sleeve and nut at one end, 1/4 ext pipe thd at other end.
14.0790	AR	2215808	ELBOW-air suspension air line-air line to air tank. For use w/3/8 line, sleeve and nut at one end, 1/2 pipe thd at other end-90 degree angle.

14.0790	AR	2299557	ELBOW-air suspension air line-to air filter and air beam. Prior to chassis #4266.
14.0800	AR	2224980	LINE-air, air suspension-3/8 OD, .049 wall, 25 ft long. Copper. Ctl.
14.0800	AR	2224976	LINE-air, air suspension-1/4 OD, .035 wall, 25 ft long. Copper. Ctl. Eff w/chassis #4266.
14.0810	AR	2224544	LOOM-air suspension air line-5/16 in ID, 25 ft roll. Ctl. Eff w/chassis #4266.
14.0810	AR	2224545	LOOM-air suspension air line-3/8 ID, 25 ft roll.
14.0810	AR	2224546	LOOM-air suspension air line-1/2 ID, 25 ft roll.
14.0820	AR	2172498	NUT-air suspension air line-to air filter and air beam connector and elbow. Prior to chassis #4266.
14.0820	AR	142432	NUT-air suspension air line-7/16-24 x 19/32 in for use w/1/4 in line, brass. Eff w/chassis #4266.
14.0830	AR	2172499	SLEEVE-air suspension air line-to air filter and air beam connector and elbow. Prior to chassis #4266.
14.0825	AR	279855	TEE-air suspension air line-used w/3/8 in line, sleeve and nut on each of 3 ends. Eff w/chassis #4266.
14.0825	AR	699027	TEE-air suspension air line-used w/1/4 in line, 1/8 in int pipe thd, approx 2-1/2 in long. Effective w/chassis #4266.



DRAG LINK

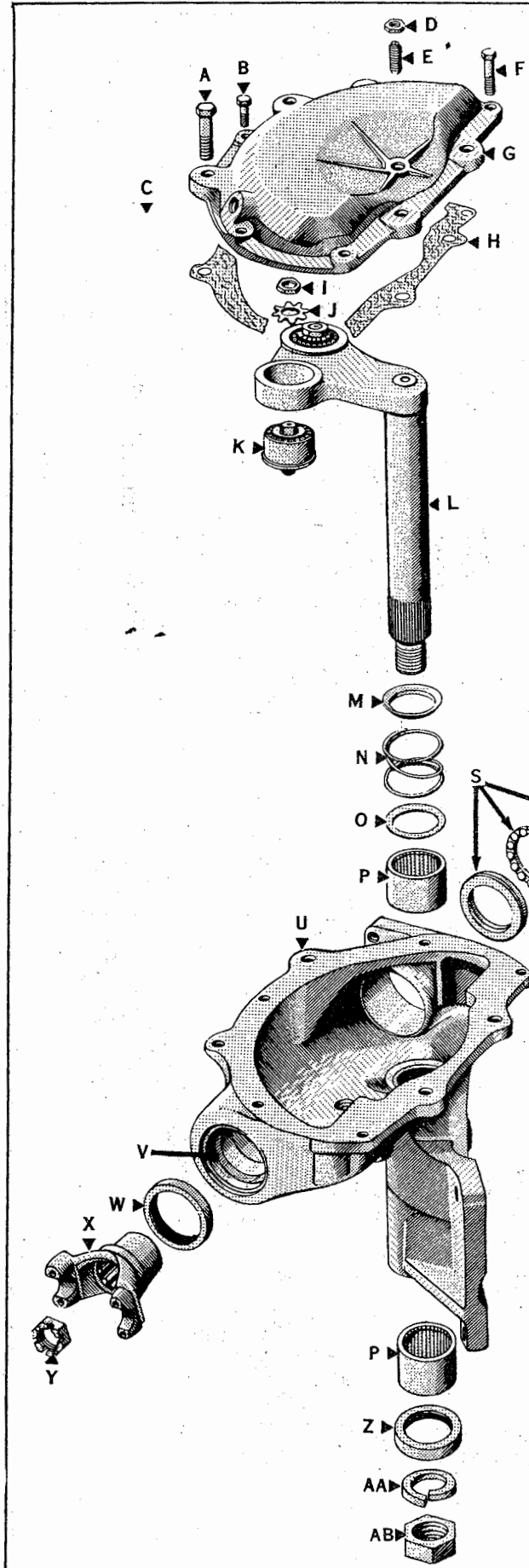
16-130A

Key	Description	Group No.
A	Nut (5/8-18)	20.0510
B	Cover—outer	16.0975
C	Shield—outer	16.1085
D	Shield—inner	16.1085
E	Cover—inner (Not used w/2314117 Shield)	16.0975
F	Tube	16.1130
G	Seat—bearing	16.1050
H	Bearing	16.0960

Key	Description	Group No.
I	Stud	16.1120
J	Spring—between stud & retainer washer	16.1110
K	Washer	16.1145
L	Seat—spring	16.1070
M	Spring—between plug & seat	16.1110
N	Plug	16.1020
O	Ring	16.1030
P	End	16.0980
Q	Bolt (5/8-18 x 2-1/4 hex. hd.)	20.0050

STEERING

LOWER STEERING GEAR (AT AXLE)



Key	Description	Group No.
A	BOLT (1/2-20 x 1-7/8)	16.0315
B	BOLT (3/8-24 x 1-1/8)	16.0315
C	PLUG (3/8-18 sq. hd.)	16.0370

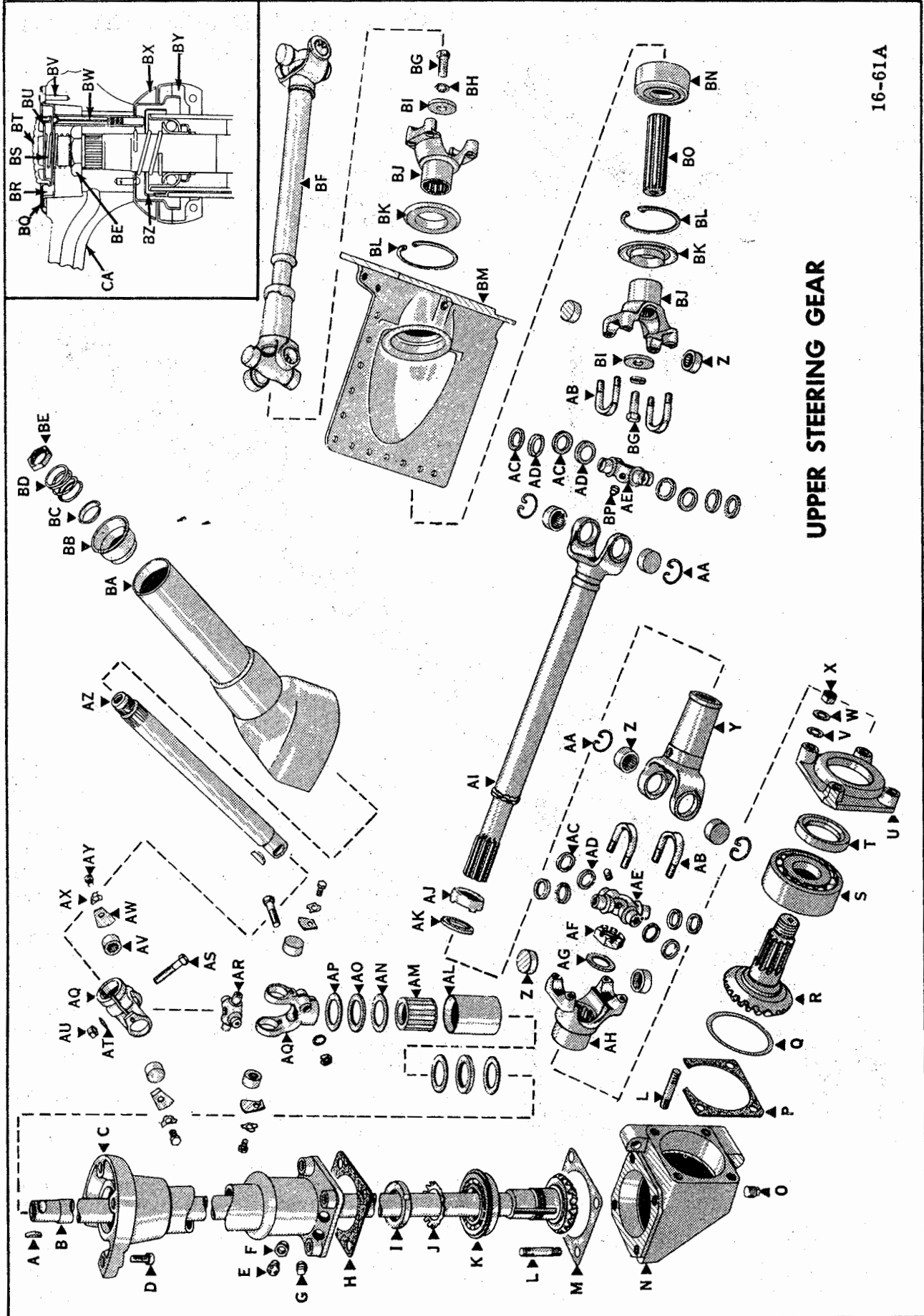
D	NUT (1/2-20)	20.0470
E	SCREW	16.0797
F	BOLT (3/8-24 x 1-5/8)	16.0315
G	COVER - Side	16.0330
H	GASKET	16.0350
I	NUT - At bearing	16.0775
J	WASHER	16.0857
K	BEARING - At shaft	16.0720
L	SHAFT - Pitman	16.0700
M	SEAT	16.0815
N	SPRING	16.0842
O	WASHER	16.0875
P	BEARING (Stpd. B-2824-X)	16.0720
Q	COVER - End	16.0330
R	SHIM	16.0390
S	BEARING - At axle	16.0430
T	CAMSHAFT (Incl. S-V-Y)	16.0465
U	HOUSING	16.0290
V	COLLAR (N.S. part Camshaft)	
W	SEAL	16.0600
X	YOKE - Lower hsg. to prop. shaft	16.0680
Y	NUT	16.0528
Z	SEAL - Oil	16.0810
AA	WASHER (1-1/4 lock)	20.0820
AB	NUT	16.0775

16-61A

STEERING

16-61A

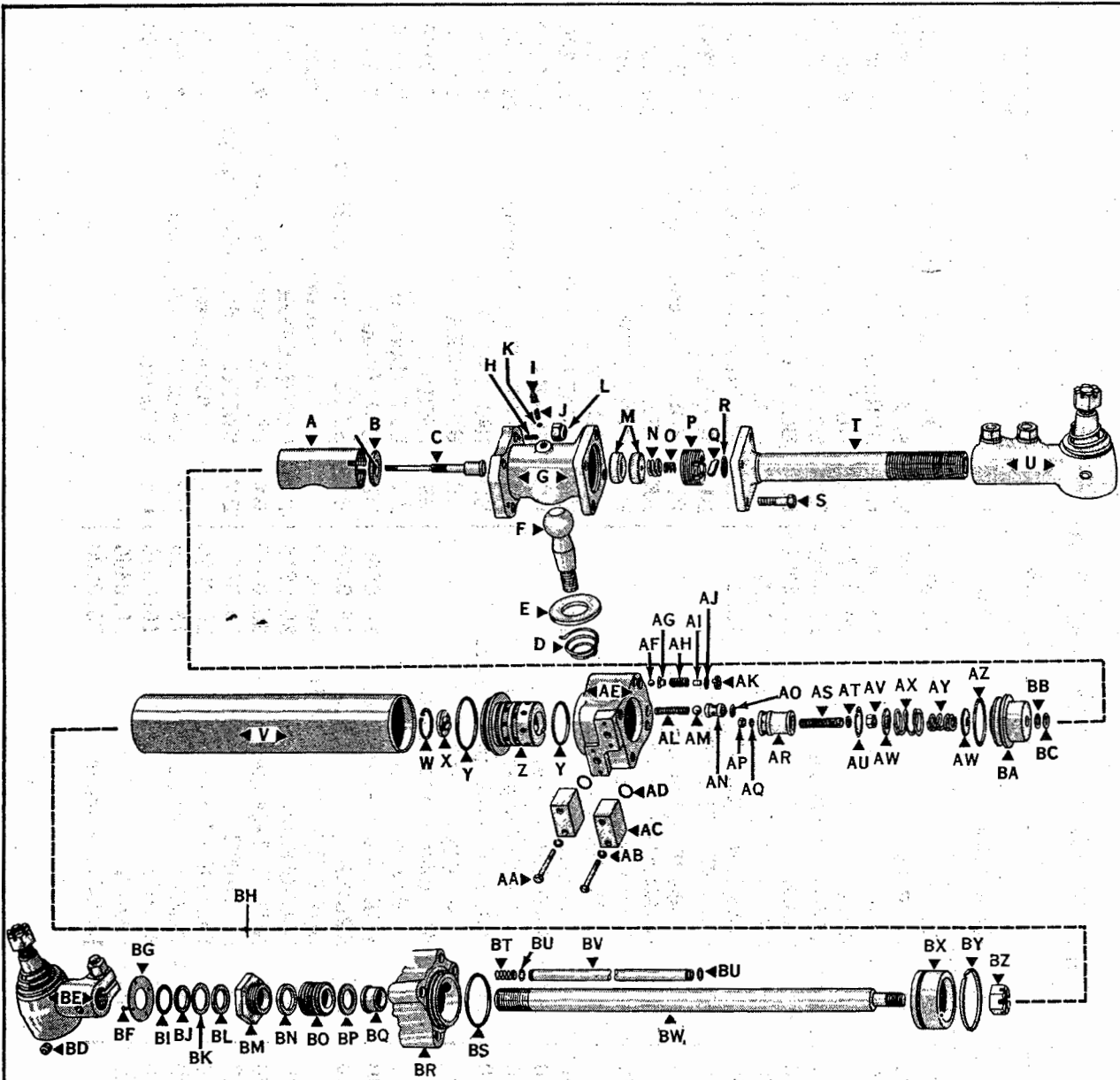
UPPER STEERING GEAR



KEY TO UPPER STEERING GEAR

Key	Description	Group No.	Key	Description	Group No.	Key	Description	Group No.
A	KEY	16. 3080	AD	RETAINER	16. 3280	BB	BEARING (At wheel end)	16. 0430
B	SHAFT	16. 3130	AE	JOURNAL	16. 3260	BC	SEAT	16. 0610
C	JACKET - lower	16. 0300	AF	NUT	16. 3090	BD	SPRING	16. 0630
D	BOLT (3/8-16 x 1)	20. 0050	AG	WASHER	16. 3170	BE	NUT	16. 0910
E	BREATHER	16. 0317	AH	YOKE -at bevel gear	16. 3350	BF	SHAFT	16. 3190
F	BUSHING (1/4 x 1/8)	20. 0140	AI	TUBE	16. 3320	BG	BOLT (7/16-20 x 1-1/8 hex. hd.)(Procure loc.)	
G	PLUG - filler	16. 0370	AJ	CAP - dust	16. 3230	BH	WASHER (7/16 Medium)	20. 0820
H	GASKET	16. 3060	AK	WASHER - (Cork)	16. 3330	BI	WASHER	16. 3340
I	NUT (1. 569-18)	20. 0490	AL	SLEEVE -(N.S. Part of upper bearing)		BJ	YOKE - at center brg.	16. 3350
J	WASHER	16. 3180	AM	BEARING - upper (At universal joint)(Stpd. #94626)(Incl. AL-AN- AO-AP)	16. 3020	BK	SEAL	16. 3300
K	BEARING - lower	16. 3020	AN	WASHER - inner (N.S. Part of upper brg.)		BL	RETAINER	16. 3270
L	STUD	16. 3160	AO	WASHER - felt (N.S. Part of upper bearing)		BM	BRACKET	16. 3220
M	SHIM - at pinion shaft lower bearing	16. 3150	AP	WASHER - outer (N.S. Part of upper bearing)		BN	BEARING	16. 3200
N	HOUSING	16. 3070	AQ	YOKE - universal joint	16. 0680	BO	SHAFT	16. 3310
O	PLUG	16. 3140	AR	SPIDER	16. 0620	BP	FITTING (1/4 Straight)	20. 0335
P	GASKET	16. 3050	AS	BOLT (3/8-24 x 1-3/4)	20. 0050	BQ	INSULATOR	7. 7000
Q	SHIM - at bevel gear brg.	16. 3150	AT	WASHER (3/8")	20. 0815	BR	RETAINER	7. 7070
R	GEAR	16. 3000	AU	NUT (3/8-24 steel)	20. 0460	BS	SPRING	7. 7150
S	BEARING	16. 3010	AV	BEARING	16. 0440	BT	CAP (Button)	7. 6870
T	SEAL	16. 3120	AW	PLATE - large	16. 0550	BU	CAP (Plate)	7. 6870
U	RETAINER	16. 3110	AX	PLATE - small	16. 0550	BV	SCREW -retainer (#8-15 x 3/4 oval tap.)	N.S.
V	WASHER (3/8 Med.)	20. 0820	AY	SCREW	16. 0580	BW	CONNECTOR	7. 6910
W	WASHER (13/32 ID, steel)	20. 0795	AZ	SHAFT	16. 0400	BX	COVER- switch housing	7. 6435
X	NUT (3/8-24 steel)	20. 0460	BA	JACKET - upper	16. 0300	BY	SWITCH - directional lamp (Complete)	7. 6240
Y	YOKE - sleeve	16. 3350				BZ	CABLE - W/contact	7. 6860
Z	BEARING	16. 3210				CA	WHEEL	16. 0890
AA	RING	16. 3290						
AB	BOLT	16. 0450						
AC	GASKET	16. 3240						

STEERING



16-501

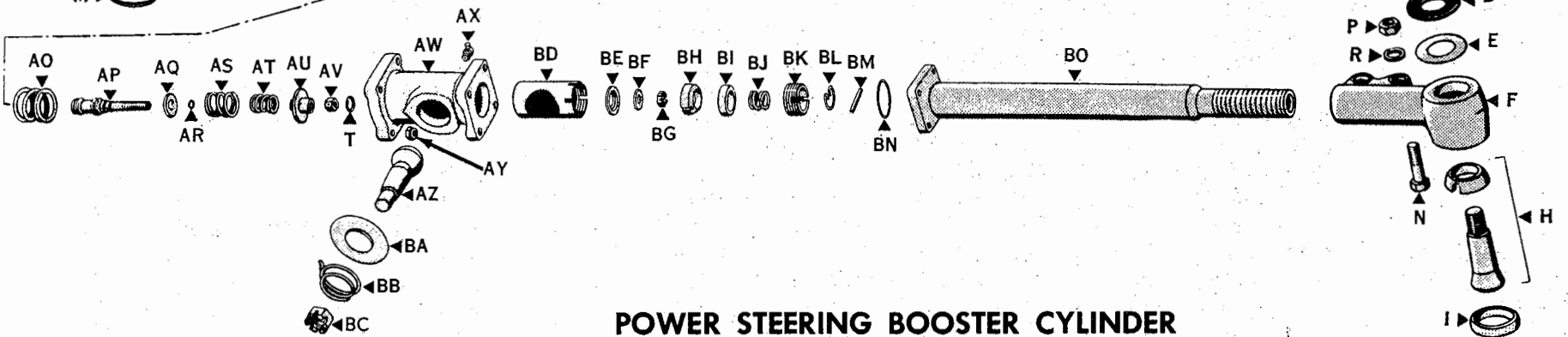
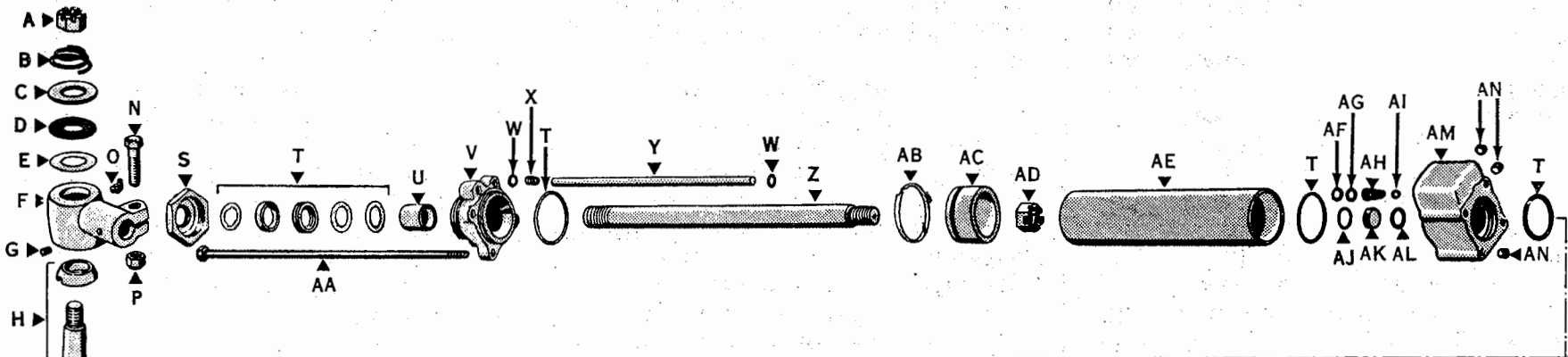
BOOSTER CYLINDER

(Prior to chassis #1301)

KEY TO BOOSTER CYLINDER

(Prior to chassis #1301)

Key	Description	Group No.	Key	Description	Group No.	Key	Description	Group No.
A	Sleeve	16. 4310	AG	Guide -relief valve spring	N. S.	BF	Screw - wiper retaining plate (#4-40 x 1/4")	Pro. Loc.
B	Plate	16. 4170	AH	Spring - relief valve	N. S.	BG	Plate	16. 4180
C	Stem	16. 4420	AI	Plug - lock, relief valve	N. S.	BH	Bolt	16. 4040
D	Spring	16. 4350	AJ	Ring - seal (Not serviced, use 2312891 Kit)	16. 4010	BI	Spring	16. 4410
E	Shield	16. 4290	AK	Guide - relief valve spring	N. S.	BJ	Wiper - piston rod(Leather) (Not serviced, use 2312891 Kit)	16. 4010
F	Stud	16. 4430	AL	Spring	16. 4390	BK	Spacer	16. 4320
G	Body	16. 4020	AM	Ball - by-pass valve (1/2" dia.)	20. 0010	BL	Wiper - piston rod (Felt) (Not serviced, use 2312891 Kit)	16. 4010
H	Screw - Adj. , relief valve	N. S.	AN	Seat	16. 4280	BM	Retainer	16. 4210
I	Fitting	16. 4080	AO	Ring - seat, by-pass valve seat (Not serviced, use 2312891 Kit)	16. 4010	BN	Adapter - packing, inner (Not serviced, use 2312891 Kit)	16. 4010
J	Spring	16. 4340	AP	Nut (1/4"-28 hex. , lock)	16. 4140	BO	Packing - piston rod (Not serviced, use 2312891 Kit)	16. 4010
K	Pad	16. 4150	AQ	Washer - stem nut	16. 4460	BP	Adapter - packing, outer (Not serviced, use 2312891 Kit)	16. 4010
L	Nut - thru bolt (1/2"-13 hex. hd.)	Pro. Loc.	AR	Spool	16. 4330	BQ	Bushing	16. 4050
M	Seat	16. 4270	AS	Spring	16. 4370	BR	Cap	16. 4060
N	Spring - outer	16. 4360	AT	Washer - spool	16. 4460	BS	Ring - seal, piston (Not serviced, use 2312891 Kit)	16. 4010
O	Spring - inner	16. 4360	AU	Ring	16. 4250	BT	Spring	16. 4380
P	Plug	16. 4190	AV	Nut (3/8"-24 hex. , lock)	16. 4140	BU	Ring - seal, oil passage tube (Not serviced, use 2312891 Kit)	16. 4010
Q	Key	16. 4120	AW	Guide	16. 4100	BV	Tube	16. 4440
R	Ring	16. 4230	AX	Spring - outer	16. 4400	BW	Rod	16. 4260
S	Bolt (1/2-20 x 3/4)	20. 0050	AY	Spring - inner	16. 4400	BX	Piston	16. 4160
T	Tube	16. 4610	AZ	Ring - seal, valve head (Not serviced, use 2312891 Kit)	16. 4200	BY	Ring	16. 4220
U	End - R. H	16. 4500	BA	Retainer	16. 4200	BZ	Nut (7/8-14)	20. 0510
V	Cylinder	16. 4000	BB	Ring - seal, valve stem (549 I. D.)(Not serviced, use 2312891 Kit)	16. 4010			
W	Ring	16. 4240	BC	Ring - seal, valve stem (. 570 I. D. leather)(Not serviced, use 2312891 Kit)	16. 4010			
X	Cap	16. 4070	BD	Screw - set(3/8"-16 x1/2)	Pro. Loc.			
Y	Ring - seal (Not serviced, use 2312891 Kit)	16. 4010	BE	End - L. H.	16. 4500			
Z	Sleeve	16. 4300						
AA	Bolt	16. 4030						
AB	Washer	16. 4450						
AC	Flange	16. 4090						
AD	Ring - seal, fitting flange (Not serviced, use 2312891 Kit)	16. 4010						
AE	Head	16. 4110						
AF	Ball - relief valve	N. S.						



POWER STEERING BOOSTER CYLINDER

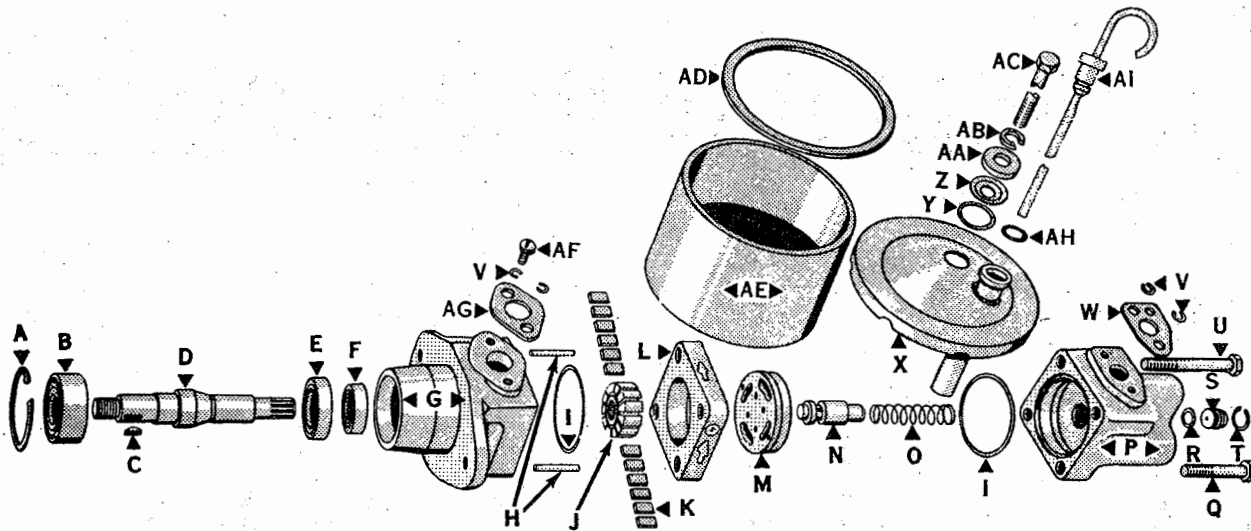
(Eff. W/1301 - Typical)

16.502

KEY TO POWER STEERING BOOSTER CYLINDER

Key	Description	Group No.	Key	Description	Group No.
A	NUT (7/8"-14)	20.0520	AF	RING	16.4236
B	SPRING	16.4590	AG	WASHER	16.4445
C	RETAINER	16.4550	AH	SPRING	16.4365
D	COVER	16.4520	AI	BALL	16.4018
E	WASHER	16.4620	AJ	RING	16.4237
F	BODY	NS	AK	PLUG (1.122 OD)	16.4188
G	SCREW - Set (3/8-16 x 1/2) (Procure Locally)		AL	RING	16.4227
H	STUD	16.4600	AM	HEAD	16.4110
I	WASHER - L.H. End	16.4630	AN	PLUG (1/4-Procure Locally)	
I	WASHER - R.H. End	16.4630	AO	SPRING - Outer	16.4400
J	SEAT - L.H. End	16.4570	AP	SPOOL	16.4330
J	SEAT - R.H. End (Typical)	16.4570	AQ	WASHER (9/16" ID x 1-1/4 OD)	NS
K	SPRING - L.H. End	16.4580	AR	RING	16.4228
K	SPRING - R.H. End (Typical)	16.4580	AS	SPRING - Center	16.4400
L	PLUG - L.H. End	16.4540	AT	SPRING - Inner	16.4400
L	PLUG - R.H. End	16.4540	AU	RETAINER	16.4200
M	RING - L.H. End	16.4560	AV	NUT	16.4141
M	RING - R.H. End	16.4560	AW	BODY	16.4020
N	BOLT (5/8-18 x 2-1/4)	20.0050	AX	FITTING	16.4080
O	FITTING (1/8 Straight)	20.0335	AY	NUT (3/8"-16 Lock Hex Hd.)	20.0430
P	NUT (5/8-18)	20.0460	AZ	STUD	16.4430
Q	NUT (7/8-14)	20.0510	BA	COVER	16.4075
R	WASHER (5/8" Medium)	20.0820	BB	SPRING - Ball Stud	16.4350
S	NUT	16.4143	BC	STUD (3/4-16 Sl. Hd.)	16.4130
T	KIT	16.4010	BD	SLEEVE	16.4310
U	BUSHING	16.4050	BE	RETAINER	16.4195
V	CAP	16.4060	BF	WASHER	16.4443
W	RING (.487 ID x .693 OD)	16.4960	BG	NUT - Inner Seat Washer	16.4130
X	SPRING	16.4380	BH	SEAT - Inner	16.4270
Y	TUBE	16.4440	BI	SEAT - Outer	16.4270
Z	ROD	16.4260	BJ	SPRING - Outer Seat	16.4365
AA	BOLT	16.4040	BK	PLUG	16.4190
AB	RING	16.4220	BL	RING - Plug	16.4235
AC	PISTON	16.4160	BM	KEY - Sleeve Plug	16.4115
AD	NUT	16.4142	BN	RING - Key	16.4235
AE	CYLINDER - Body Only	16.4000	BO	TUBE (Typical)	16.4610

STEERING



POWER STEERING CYLINDER FLUID PUMP

16-202B

Key	Description	Group No.
A	Ring	16. 4950
B	Bearing - outer	16. 4470
C	Key	16. 4480
D	Shaft	16. 5030
E	Seal	16. 5020
F	Bearing - inner	16. 4770
G	Body	16. 4780
H	Pin	16. 4890
I	Seal	16. 5010
J	Rotor	16. 4980
K	Kit	16. 4740
L	Ring	16. 4940
M	Plate	16. 4900
N	Valve	16. 5080
O	Spring	16. 5050
P	Cover	16. 4800
Q	Bolt (3/8-16 x 2-1/4)	20.0050
R	Ring - sealing	16. 4960
S	Plug	16. 4910
T	Ring - snap	16. 4960
U	Bolt (3/8-16 x 3-1/4 hex. hd.)(Procure locally)	
V	Gasket - reservoir cover attaching bolt	16. 4840
W	Gasket - pump cover	16. 4820
X	Cover	16. 4810
Y	Gasket - reservoir cover bolt guide	16. 4840
Z	Guide	16. 4860
AA	Washer	16. 5090
AB	Washer (3/8 med.)	20.0820
AC	Bolt (3/8-16x4-3/4)(Proc. Loc.)	16. 4790
AD	Gasket - cover	16. 4840
AE	Body	
AF	Screw	16. 5000
AG	Gasket - pump body	16. 4820
AH	Washer	16. 5085
AI	Stick	16. 5065

STEERING GEAR ASSEMBLY

16.0010	1	2305832	GEAR-steering-upper. Incl upper jacket, housing, shaft, bevel gear, bearings, etc w/mech strg.
16.0010	1	2294502	GEAR-steering-upper. Incl upper jacket, housing, shaft, bevel gear, bearings, etc w/power strg. SL-11797, SL-12448.
16.0010	1	2293848	GEAR-steering-lower. At front axle. Incl pitman shaft, housing, camshaft and worm
16.0030	1	2295258	BRACE-steering column-lower column. 5 bolt holes, Repl 2293788 w/6 bolt holes.
16.0105	1	2295209	CLIP-steering gear to axle-incl link. Welded.
16.0105	1	2294541	CLIP-steering gear to axle-5/8-18 x 5-1/4.
16.0155	4	274639	NUT-steering gear mounting bolt-steering gear to axle clip. 5/8-18 hex hd.
16.0160	1	2295250	PLATE-steering gear-clamp. Lower steering column jacket.
16.0160	1	2294120	PLATE-steering gear-closure. Front, at floor.
16.0160	1	2294121	PLATE-steering gear-closure. Rear, at floor.
16.0160	1	2295253	PLATE-steering gear-supporting, clamp plate.
16.0200	AR	R 35636	SEAL-steering column toe panel-column and w/s ledge.
16.0270	1	2265925	U-BOLT-steering column-jacket to clamp plate.
16.0285	6	2265244	WASHER-steering gear-to axle clip. 21/32 ID x i-5/16 OD.

STEERING GEAR HOUSING

16.0290	1	2301484	HOUSING-steering gear-lower gear. At axle incl pitman shaft bushings and oil seals.
16.0300	1	2294536	JACKET-steering column-upper. Incl housing welded.
16.0300	1	2294537	JACKET-steering column-lower. Incl cap.
16.0315	4	2301843	BOLT-steering gear lower housing-side cover to housing. 1/2-20 x 1-7/8.
16.0315	3	NPN	BOLT-steering gear lower housing-side cover to housing. 3/8-24 x 1-5/8 pro. loc.
16.0315	2	181638	BOLT-steering gear lower housing-side cover to housing. 3/8-24 x 1-1/8. Repl 2301845.
16.0317	2	2140049	BREATHER-steering gear housing-lower housing.
16.0319	1	2113407	CAP-steering column jacket-rivet 1/4 x 13/16 rd hd.
16.0330	1	2301846	COVER-steering gear housing-lower housing, end.
16.0330	1	2301841	COVER-steering gear housing-lower housing, side.
16.0350	1	2301842	GASKET-steering gear housing-lower housing side cover.
16.0370	1	143980	PLUG-steering gear housing-lower housing side cover. 3/8-18 sq hd pipe.
16.0390	AR	2118044	SHIM-steering gear housing-end. .002.
16.0390	AR	2118045	SHIM-steering gear housing-end. .003.
16.0390	AR	2118046	SHIM-steering gear housing-end. .010.

STEERING SHAFT

16.0400	1	2295827	SHAFT-steering-wheel to universal joint
16.0430	1	2158175	BEARING-steering shaft-at wheel end. Incl spring and seat.
16.0430	2	2315533	BEARING-steering shaft-camshaft. At axle repl 2118038.
16.0440	4	1415758	BEARING-steering shaft universal joint-used joint having brg. Secured w/lock plate and bolt.
16.0440	4	2411294	BEARING-steering shaft universal joint-secured w/outer lock ring. Repl 2373635.
16.0450	8	2118319	BOLT-steering shaft universal joint-u type.
16.0465	1	2301487	CAMSHAFT-steering gear-at lower housing w/collar. Incl nut and bearing.
16.0528	1	2118049	NUT-steering gear camshaft.
16.0550	4	1418081	PLATE-retaining, steering shaft universal joint-large used joint having brg. Secured w/lock plate and bolt.
16.0550	4	1418080	PLATE-retaining, steering shaft universal joint-small-lock used joint having brg. Secured w/lock plate and bolt.
16.0576M	4	2008925	RING-snap, steering gear universal joint-outer type.
16.0600	1	2092767	SEAL-steering shaft-oil, camshaft, in lower housing 1.690 ID x approx 7/16 thk.
16.0600	1	2400721	SEAL-steering shaft-oil. Camshaft, in lower housing. 1.683 ID x 5/16 in thk.
16.0610	1	2220129	SEAT-steering shaft upper brg spring.
16.0615	1	2303076	SHIELD-steering shaft-at lower housing.
16.0620	1	1415749	SPIDER-steering shaft universal joint yoke-used joint having brg. secured w/lock plate and bolt.
16.0620	1	5670290	SPIDER-steering shaft universal joint-incl brgs. Part of joint having brg. Secured w/inner lock ring.
16.0620	1	2373634	SPIDER-steering shaft universal joint-part of joint having brg. Secured w/outer lock ring.
16.0630	1	2220128	SPRING-steering shaft upper brg.
16.0647	1	657603	WASHER-steering shaft-end yoke to lower housing bolt.

16.0680	2	5670291	YOKE-steering shaft universal joint-end. For use w/joint having brg. Secured w/ inner lock ring. Replaces yoke w/brg. Secured w/lock plate and bolt.
16.0680	2	2373636	YOKE-steering shaft universal joint-end. For use w/joint having brg. Secured w/ outer lock ring.
16.0680	1	2118321	YOKE-steering shaft universal joint-lower housing to prop shaft.

STEERING PITMAN ARM AND SHAFT

16.0690	1	2298623	ARM-steering gear pitman.
16.0700	1	2301486	SHAFT-pitman, steering gear-incl nut and brg.
16.0720	2	148420	BEARING-needle, steering gear pitman shaft-in hsg. Stpd #B-2824-X.
16.0720	1	2301489	BEARING-needle-steering gear pinion shaft-kit. Incl 2 brg, 2 nuts and washers.
16.0730	2	2187662	BUSHING-strg gear pitman shaft.
16.0775	1	315164	NUT-steering gear pitman shaft-at shaft.
16.0775	2	2287223	NUT-steering gear pitman shaft-at brg.
16.0777	1	2305835	PLATE-stop, pitman arm-incl spacer. W/power strg SL-11797. Prior to chassis #1301.
16.0777	1	2305836	PLATE-stop, pitman arm-less spacer. W/power strg SL-11797. Prior to chassis #1301.
16.0777	1	2330291	PLATE-stop, pitman arm-RH. Eff w/chassis #1301 and SL-12448.
16.0777	1	2330293	PLATE-stop, pitman arm-LH. Eff w/chassis #1301 and SL-12448.
16.0797	1	2220116	SCREW-adjusting, steering gear pitman shaft
16.0810	1	2092767	SEAL-oil, strg gear pitman shaft-in lower hsg 1.690 ID x approx 7/16 in thk
16.0810	1	2400721	SEAL-oil, strg gear pitman shaft-in lower hsg 1.683 ID x 5/16 in thk
16.0815	1	2306411	SEAT-steering gear pitman shaft spring-1-49/64 ID x 2-3/8 OD x 11/32 wide.
16.0842	1	2306410	SPRING-steering gear pitman shaft.
16.0857	2	2080755	WASHER-steering gear pitman shaft brg nut.
16.0875	1	2306412	WASHER-steering gear pitman shaft spring seat-1-49/64 ID x 2-3/8 OD x .059 thick.

STEERING WHEEL

16.0890	1	2295390	WHEEL-steering.
16.0910	1	270354	NUT-steering wheel-1-20.

DRAG LINK

16.0960	2	442043	BEARING-strg drag link ball stud-stpd #31-BC 1-reqd w/power strg SL-11797, SL-12448.
16.0975	2	2222110	COVER-dust, strg drag link end-outer. Rubber and SL-12448.
16.0980	1	2240308	END-steering drag link std and w/power strg SL-11797, SL-12448.
16.0980	1	2331499	END-steering drag link-incl socket parts std and w/power strg SL-11797, SL-12448. Repl 2240306.
16.1020	2	2222108	PLUG-strg drag link end-1-reqd. W/power strg SL-11797, SL-12448.
16.1030	2	2222109	RING-lock, strg drag link end plug-1-reqd w/power strg. SL-11797, SL-12448.
16.1050	2	2222115	SEAT-strg drag link ball-brg seat. 1-reqd w/power strg. SL-11797, SL-12448.
16.1070	2	2222106	SEAT-strg drag link end spring-1-reqd w/power strg. SL-11797, SL-12448.
16.1085	1	2314117	SHIELD-tie rod end dust cover-inner replaces shield 2222112 and cover 2222113 coated on inside w/neoprene SL-11797, SL-12448.
16.1085	2	2225538	SHIELD-strg drag link dust cover-steel 2-1/32 OD x 1-17/64 ID. Used w/outer cover 1-reqd. 1-reqd w/power strg. SL-11797, SL-12448.
16.1110	2	2222105	SPRING-strg drag link end-between plug and seat. 1-reqd w/power strg. SL-11797, SL-12448.
16.1110	2	2276350	SPRING-strg drag link end-between seat and oil retainer washer. 1-1/2 active coils, 1-1/4 free length. 1-reqd w/power strg. SL-11797, SL-12448.
16.1120	2	2225537	STUD-ball, steering drag link-1-reqd w/power strg. SL-11797, SL-12448.
16.1130	1	2308326	TUBE-steering drag link-incl socket parts.
16.1130	1	2299596	TUBE-steering drag link-incl arm. W/power strg. SL-11797. Prior to chassis #1301.
16.1130	1	2331420	TUBE-steering drag link-incl arm. W/power strg. SL-11797, SL-12448. Eff w/chassis #1301.
16.1145	2	2222107	WASHER-steering drag link oil retainer-1-reqd. W/power strg. SL-11797, SL-12448.

STEERING GEAR BEVEL GEAR

16.3000	1	2292169	GEAR-steering gear bevel pinion-27 teeth w/mech strg.
16.3000	1	2113414	GEAR-steering gear bevel pinion-18 teeth w/power strg. SL-11797, SL-12448.
16.3010	1	954184	BEARING-steering gear bevel pinion-stpd 5308-7X1A.
16.3020	1	2220127	BEARING-steering gear pinion shaft-upper at universal joint.

16.3020	1	954136	BEARING-steering gear pinion shaft-lower at bevel pinion. Stpd 41208-X-1A.
16.3030	1	2140049	BREATHER-steering gear bevel gear housing.
16.3040	1	119922	BUSHING-steering gear bevel gear hsg breather reducing. 1/4 x 1/8 pipe.
16.3050	1	2243768	GASKET-steering gear bevel gear brg oil seal ret.
16.3060	1	2113405	GASKET-steering gear bevel gear housing-jacket to housing.
16.3070	1	2292171	HOUSING-steering gear bevel gear-incl studs.
16.3080	1	103907	KEY-steering gear pinion shaft-at joint end 3/16 x 7/8 woodruff.
16.3090	1	5660351	NUT-steering gear bevel gear-at propeller shaft end.
16.3100	1	127711	NUT-steering gear pinion shaft bearing-at bevel pinion. 2-1/2 OD-notched.
16.3105	1	117244	PLUG-steering gear bevel gear housing-1/4 pipe. Repl 112578.
16.3110	1	2113413	RETAINER-steering gear bevel gear bearing seal.
16.3120	1	2114618	SEAL-oil, steering gear bevel gear bearing.
16.3130	1	2305833	SHAFT-steering gear pinion-pinion integral 18 teeth. W/mech strg.
16.3130	1	2294493	SHAFT-steering gear pinion-pinion integral 18 teeth. W/power strg. SL-11797, SL-12448.
16.3150	1	2259411	SHIM-steering gear bevel gear and pinion shaft hsg-at bevel gear. 3 ID, 3-1/2 OD, .0015 in thk.
16.3150	3	2116199	SHIM-steering gear bevel gear and pinion shaft hsg-at bevel gear bearing. Thin.
16.3150	3	2116195	SHIM-steering gear bevel gear and pinion shaft hsg-at bevel gear bearing. Thick.
16.3150	3	2113293	SHIM-steering gear bevel gear and pinion shaft hsg-.002. At pinion shaft lower brg.
16.3150	3	2116151	SHIM-steering gear bevel gear and pinion shaft hsg-.003. At pinion shaft lower brg.
16.3160	8	063082	STUD-steering gear bevel gear housing.
16.3170	1	657603	WASHER-steering gear bevel gear nut.
16.3180	1	127688	WASHER-steering gear pinion shaft bearing-1.625 ID x 2-15/32 OD.

STEERING PROPELLER SHAFT AND CENTER BEARING

16.3190	2	2293477	SHAFT-propeller, steering-from c/1 to c/1 of joints are 18-7/8 in long.
16.3190	2	2383673	SHAFT-propeller, steering-from c/1 to c/1 of joints are 18-1/4 in long.
<u>NOTE: The above shaft assemblies are not serviced, but listed for reference only.</u>			
16.3190	4	2370728	KIT-universal joint-consist of 4 neoprene sealed bearings, 4 snap rings and 1 journal.
16.3195	1	2304641	ANGLE-steering propeller shaft-front.
16.3197	1	2319893	BOOT-steering propeller shaft-laced type repl 2313956.
16.3200	1	954794	BEARING-center, steering propeller shaft.
16.3210	16	2223720	BEARING-steering propeller shaft universal joint-w/cork sealed.
16.3210	16	2368970	BEARING-steering propeller shaft universal joint-w/rubber neoprene sealed.
16.3220	1	2293362	BRACKET-supporting, strg prop shaft center brg.
16.3230	2	2118317	CAP-dust, steering prop shaft universal joint-for use w/rubber seal washer at yoke end at slip end.
16.3230	2	240804	CAP-dust, steering prop shaft universal joint-for use w/cork seal washer at yoke end at slip end.
16.3234	1	178312	CLAMP-steering propeller shaft-boot. 1-1/2 dia.
16.3234	1	178317	CLAMP-steering propeller shaft-boot. 1-7/8 dia.
16.3235	1	2152465	CATCH ASSY-steering propeller shaft cover-at ledge.
16.3235	AR	R 31224	HINGE-steering propeller shaft cover.
16.3236	1	2304391	COVER-steering propeller shaft-incl hinge.
16.3237	AR	191758	FITTING-steering propeller shaft lubrication-joint. 1/8 straight.
16.3240	16	080388	GASKET-steering propeller shaft journal.
16.3260	2	NPN	JOURNAL-steering propeller shaft-incl shaft gasket and retainer. See group 16.3190.
16.3262	1	2304389	LEDGE-steering propeller shaft cover.
16.3264	16	274635	NUT-steering propeller shaft flange bolt-flange to yoke. 3/8-24 hex lock. Repl 2266505.
16.3268	1	2304388	REINFORCEMENT-steering propeller shaft ledge.
16.3270	2	2293802	RETAINER-steering propeller shaft center brg.
16.3280	16	403906	RETAINER-steering propeller shaft journal gasket.
16.3290	8	403909	RING-snap, steering prop shaft universal joint.
16.3300	2	2293461	SEAL-grease, steering propeller shaft center brg.
16.3310	1	2293413	SHAFT-stub, steering propeller shaft-at center bearing.
16.3320	2	2294804	TUBE-steering propeller shaft-10-11/16 from weld to weld. Part of 2293477 shaft.
16.3320	2	2384333	TUBE-steering propeller shaft-10-1/32 from weld to weld.
16.3330	2	403914	WASHER-steering propeller shaft-at yoke end on shaft. 1-9/16 OD, 1 in ID cork. Part of 2330722, 2368963 joints. Repl 2329762.
16.3330	2	240803	WASHER-steering propeller shaft-at yoke end on shaft. Part of 2384332 joint.

16.3330	2	080386	WASHER-steering propeller shaft-at yoke end on shaft. Cork. 1-5/8 OD, 1-5/32 ID. Part of 2384332 joint.
16.3340	2	2293752	WASHER-strg prop shaft center brg end yoke bolt.
16.3350	2	2391384	YOKE-steering propeller shaft-sleeve. 1-1/4-16 spline, 4-11/16 from c/1 to end of spline. Use w/rubber seal on shaft. Part of 2330722, 2368963 joints.
16.3350	2	2141043	YOKE-steering propeller shaft-sleeve. 1-3/8-16 spline, 5-3/8 from c/1 to end of spline. Used w/cork washer on shaft. Part of 2368963 joint.
16.3350	2	2293462	YOKE-steering propeller shaft-end. At center bearing.
16.3350	1	2118321	YOKE-steering propeller shaft-at bevel gear.

POWER STEERING

NOTE: The following power steering parts are special equipment, SL-11797, SL-12448, SL-12898

POWER STEERING BOOSTER CYLINDER

16.4000	1	2293246	CYLINDER-booster, power steering-complete prior to chassis #1301. Not serviced complete. Order component parts.
16.4000	1	2369513	CYLINDER-booster, power steering-complete eff. w/chassis #1301 repl 233354, 2355975

NOTE: The above 4 booster cylinders are not serviced, listed for reference only

16.4000	1	2305854	CYLINDER-booster, power steering-cylinder only. Prior to chassis #1301.
16.4000	1	2327269	CYLINDER-booster-power steering-cyl. only. Eff 3/1301.
16.4005	1	2362422	KIT-booster cyl valve. Spool-eff w/chassis #1301 thru #2915. Consist of spool, seal ring, centering unit, washers, retainer & stud seat. Repl 2359473.
16.4010	1	2312891	KIT-seal, booster cylinder-consist of sufficient seals, rings, wipers, adapters & packing for complete cylinder overhaul prior to chassis #1301.
16.4010	1	2363044	KIT-seal, booster cyl-consists of sufficient seals, rings, wipers, adapters & packing for complete cylinder overhaul. Eff w/1301 repl 2333991.
16.4018	1	104922	BALL-booster cylinder check valve-1/2 in prior to chassis #1301.
16.4018	1	104920	BALL-booster cyl check valve-3/8 in eff w/1301.
16.4020	1	2326549	BODY-booster cylinder ball stud-prior to chassis #1301. Repl 2305853.
16.4020	1	2337390	BODY-booster cyl ball stud-2 in ID at centering spring end. Eff w/1301.
16.4030	4	2305888	BOLT-booster cylinder fitting flange-prior to chassis #1301.
16.4040	4	2313080	BOLT-thru, booster cylinder-prior to chassis #1301.
16.4040	4	2375753	BOLT-thru, booster cylinder. 3/8-24 x 12-1/2 replaces 2326568.
16.4050	1	2305862	BUSHING-booster cylinder piston rod-prior to chassis #1301.
16.4050	1	2327250	BUSHING-booster cylinder piston rod-eff w/chassis #1301.
16.4050	1	2327250	BUSHING-booster cyl piston rod. Eff w/1301.
16.4060	1	2305856	CAP-booster cylinder-prior to chassis #1301.
16.4060	1	2327247	CAP-booster cylinder. Eff w/1301.
16.4070	1	2305904	CAP-booster cylinder sleeve-prior to chassis #1301.
16.4075	1	2337391	COVER-dust, booster cyl ball stud-1-1/16 ID. Eff w/1301.
16.4080	1	191758	FITTING-lubrication, booster cylinder ball stud-1/8 straight.
16.4090	2	2313081	FLANGE-fitting, booster cylinder-prior to chassis #1301 bolt 3/8-24 x 1-5/8 hex.
16.4100	2	2305881	GUIDE-booster cylinder control valve centering spring-prior to chassis #1301.
16.4110	1	2326550	HEAD-booster cylinder valve-prior to chassis #1301. Repl 2305857.
16.4110	1	2327252	HEAD-booster cyl valve. Eff w/1301.
16.4115	1	2327266	KEY-booster cyl ball stud-sleeve plug. Eff w/1301.
16.4115	1	2327261	KEY-booster cyl ball stud-inner seat washer nut. Eff w/1301.
16.4120	1	2305895	KEY-lock, ball joint sleeve-prior to chassis #1301.
16.4130	1	272336	NUT-booster cylinder ball stud-7/8-14 SL hex prior to chassis #1301.
16.4130	1	272334	NUT-booster cyl ball stud-3/4-16 SltD. hex. Eff w/1301.
16.4130	1	2327260	NUT-booster cyl ball stud-inner seat washer. Eff w/1301.
16.4135	1	2171357	NUT-booster cyl bolt-attaching RH end. Eff w/1301.
16.4135	4	9413996	NUT-booster cylinder bolt-thru bolt. 3/8-16 hex.
16.4135	4	9411783	NUT-booster cylinder bolt-thru bolt. 3/8-24 hex.
16.4137	4	274635	NUT-bolt, booster cylinder extension flange.
16.4140	1	2305879	NUT-booster cylinder control stem-3/8-24 hex lock. Prior to chassis #1301. Repl 2266505.
16.4140	1	2326548	NUT-booster cylinder control stem-1/4-28 hex lock. Prior to chassis #1301.
16.4141	1	2318211	NUT-booster cyl control valve spool-7/16-20. Eff w/1301.
16.4142	1	NPN	NUT-booster cylinder piston rod-7/8-14 SLTD. hex. Eff w/1301. Proc loc.

16.4143	1	2356518	NUT-booster cyl piston rod packing-2-1/4-16. Eff w/1301. Repl 2327251.
<u>NOTE: When replacing 2327251 nut by 2356518 it is also necessary to order 2356519 seal.</u>			
16.4144M	4	443537	NUT-booster cylinder thru bolt-1/2-13 HLT. Prior to chassis #1301.
16.4144M	4	9413996	NUT-booster cylinder thru bolt-3/8-16 HLT. Eff w/chassis #1301.
16.4144	1	2356521	NUT-booster cyl control valve centering. SL-12448.
16.4150	1	2305902	PAD-friction, ball stud lubrication fitting-prior to chassis #1301.
16.4153	1	273337	PIN-booster cyl valve spool nut-roller. Eff w/1301.
16.4160	1	2327248	PISTON-booster cylinder. Repl 2305859.
16.4170	1	2305893	PLATE-end, ball joint sleeve-prior to chassis #1301.
16.4180	1	2305871	PLATE-retaining, piston rod wiper-prior to chassis #1301.
16.4185	1	2318214	PLUG-booster cyl valve body-1/8. Eff w/1301.
16.4188	1	2327253	PLUG-booster cyl control valve head 1.122 OD-Eff w/1301.
16.4190	1	2305894	PLUG-end, ball joint sleeve-prior to chassis #1301.
16.4190	1	2327265	PLUG-end, ball joint sleeve. Eff w/1301.
16.4195	1	2327259	RETAINER-booster cyl ball stud-inner seat washer. Eff w/1301.
16.4200	1	2305883	RETAINER-control valve centering spring-prior to chassis #1301.
16.4200	1	2327254	RETAINER-control valve centering spring. Eff w/1301.
16.4210	1	2305866	RETAINER-piston rod packing-prior to chassis #1301.
16.4218	1	2305887	RING-seal, booster cyl. Control valve-centering spring.
16.4218	1	2325323	RING-seal, booster cyl. Control valve-body.
16.4220	1	2305860	RING-booster cylinder piston.
16.4226	1	5680711	RING-seal, booster cylinder control valve head-relief valve seat.
16.4227	1	2318216	RING-seal, booster cyl control valve head plug. Eff w/1301.
16.4228	1	2318212	RING-seal, booster cyl control valve spool. Eff w/1301.
16.4229	2	5680711	RING-seal-booster cyl oil passage tube. Eff w/1301.
16.4230	1	2305896	RING-snap, ball joint sleeve lock key-prior to chassis #1301.
16.4235	1	2318228	RING-snap, booster cyl ball joint sleeve plug. Eff w/1301.
16.4235	1	2305896	RING-snap, booster cyl ball joint sleeve plug-key. Eff w/1301.
16.4236	1	2327257	RING-snap, booster cylinder check valve ball spring. Eff w/1301.
16.4237	1	2318217	RING-snap, booster cyl control valve head plug eff w/1301.
16.4240	1	2305905	RING-snap, booster cylinder sleeve-prior to chassis #1301.
16.4250	1	274947	RING-snap, control valve centering spring guide-prior to chassis #1301.
16.4260	1	2305861	ROD-booster cylinder piston-prior to chassis #1301.
16.4260	1	2327270	ROD-booster cyl piston eff w/1301.
16.4265	1	2356519	SEAL-oil, booster cylinder piston rod.
16.4270	2	2305898	SEAT-booster cylinder ball stud-prior to chassis #1301.
16.4270	1	2327267	SEAT-booster cyl ball stud-inner 1.473 OD, .718 thick, 7/16-20 tapped hole. Eff w/1301.
16.4270	1	2356524	SEAT-booster cyl. ball stud-inner. SL-12448.
16.4270	1	2327268	SEAT-booster cyl ball stud-outer 1.473 OD, 1/2 thick eff w/1301.
16.4280	1	2305891	SEAT-booster cylinder by-pass valve ball-prior to chassis #1301.
16.4290	1	2305897	SHIELD-dust, booster cylinder ball stud-prior to chassis #1301.
16.4300	1	2305852	SLEEVE-booster cylinder-incl cap & ring prior to chassis #1301.
16.4310	1	2338035	SLEEVE-booster cylinder ball stud-prior to chassis #1301. Repl 2305892.
16.4310	1	2327264	SLEEVE-booster cyl ball stud eff w/1301.
16.4320	1	2305868	SPACER-booster cylinder piston rod felt wiper prior to chassis #1301.
16.4330	1	2305872	SPOOL-booster cylinder control valve-prior to chassis #1301.
16.4330	1	2362420	SPOOL-booster cylinder control valve eff w/1301 thru 2915. See group 16.4005.
16.4330	1	2371575	SPOOL-booster cylinder control valve-eff w/chassis #2916.
16.4340	1	2305901	SPRING-ball stud lubrication fitting-prior to chassis #1301.
16.4350	1	648189	SPRING-booster cylinder ball stud.
16.4350	1	648189	SPRING-booster cylinder ball stud eff w/1301.
16.4350	1	2305900	SPRING-booster cylinder ball stud-outer seat. Eff w/1301.
16.4360	1	2305899	SPRING-booster cylinder ball stud seat-inner prior to chassis #1301.
16.4360	1	2305900	SPRING-booster cylinder ball stud seat-outer.
16.4365	1	2318222	SPRING-booster cylinder check valve ball eff w/1301.
16.4370	1	2305873	SPRING-booster cylinder control valve spool-prior to chassis #1301.
16.4380	1	2305885	SPRING-booster cylinder oil passage tube-prior to chassis #1301.
16.4380	1	2318221	SPRING-booster cylinder oil passage tube eff w/1301.
16.4390	1	2305890	SPRING-booster cylinder by-pass valve ball-prior to chassis #1301.
16.4400	1	2309273	SPRING-centering, booster cylinder control valve-inner.
16.4400	1	2305880	SPRING-centering, booster cylinder control valve-outer. Prior to chassis #1301.
16.4400	1	2337389	SPRING-centering, booster cylinder control valve-inner .659 ID x .984 OD x 1.033 free length. Eff w/1301 thru 2915.

16.4400	1	2337387	SPRING-centering, booster cyl control valve-outer-1,450 ID x 1.968 OD x 1.548 free length. Eff w/1301 thru 2915.
16.4400	1	2337388	SPRING-centering, booster cylinder control valve-center 1,015 ID x 1,419 OX x 1,082 free length. Eff w/1301 thru 2915.
16.4400	1	2371578	SPRING-centering, booster cyl control valve-inner. .655 ID x .911 OD x 1,042 free length. Eff w/chassis #2916.
16.4400	1	2371576	SPRING-centering, booster cyl control valve-outer. 1,369 ID x 1,844 OD x 1,293 free length. Eff w/chassis #2916.
16.4400	1	2371577	SPRING-centering, booster cyl control valve-center. .940 ID x 1,307 x 1,044 free length.
16.4410	1	2305870	SPRING-booster cylinder piston rod leather wiper-prior to chassis #1301.
16.4420	1	2305875	STEM-booster cylinder control valve-prior to chassis #1301.
16.4430	1	648187	STUD-ball, booster cylinder-prior to chassis #1301.
16.4430	1	2327262	STUD-ball, booster cylinder. Eff w/1301.
16.4440	1	2305884	TUBE-booster cylinder oil passage-prior to chassis #1301.
16.4440	1	2327271	TUBE-booster cylinder oil passage. Eff w/1301.
16.4443	1	2327258	WASHER-booster cylinder ball stud inner seat. Eff w/1301.
16.4445	1	2327256	WASHER-booster cyl check valve ball spring. Eff w/1301.
16.4460	1	446187	WASHER-booster cylinder control valve-spool prior to chassis #1301.
16.4460	1	2305878	WASHER-booster cylinder control valve-stem nut. Prior to chassis #1301.
16.4460	1	2356522	WASHER-booster cyl control valve-centering nut. SL-12448. 7/8 ID x 1-10/32 OD, plain.
16.4460	1	2356523	WASHER-booster cyl control valve-centering nut locking. SL-12448. .468 ID x 1-7/32 OD.
16.4460	2	2362421	WASHER-booster cyl control valve-back up. Spool seal ring. Leather used w/2362420 spool.

BOOSTER CYLINDER LINKAGE

16.4500	1	2305110	END-booster cylinder-RH at steering arm incl stud, pin, plug, ring, seat, spring, retainer, cover & washer.
16.4500	1	2305851	END-booster cylinder-LH. At anchor brkt incl stud, plug, lock ring, dust cover, etc.
16.4512	2	9040420	BEARING-booster cylinder end stud.
16.4520	2	2175235	COVER-dust, booster cylinder end.
16.4523	2	191758	FITTING-booster cylinder end lubrication-1/8 straight.
16.4525	1	2379829	LINK-booster cylinder-extension. Prior to chassis #1301.
16.4527	4	274637	NUT-booster cylinder link tube flange bolt--1/2-20 hex.
16.4530	1	2179170	PIN-dowel, booster cylinder end-RH end.
16.4540	1	2222108	PLUG-booster cylinder end-RH end.
16.4540	1	2175233	PLUG-booster cylinder end-spring. LH end.
16.4550	2	648190	RETAINER-booster cylinder end dust cover.
16.4560	1	2222109	RING-lock, booster cylinder end plug-RH end.
16.4560	1	2175234	RING-lock, booster cylinder end plug-LH end.
16.4565	1		SCREW-set, booster cylinder end-3/8-16 x 1/2 hex-socket. Pro loc.
16.4570	1	2222106	SEAT-booster cylinder end spring-RH end.
16.4570	1	2175231	SEAT-booster cylinder end spring-LH end.
16.4580	1	2222105	SPRING-booster cylinder end seat-between plug & seat. RH end.
16.4580	1	2175230	SPRING-booster cylinder end seat-between plug & seat. LH end.
16.4590	2	648189	SPRING-booster cylinder end dust cover.
16.4600	2	9040419	STUD-ball, booster cylinder end-nut 7/8-14 SLTD-hex.
16.4610	1	2331419	TUBE-link, booster cylinder extension-adjustable. Eff w/chassis #1301. See Group 16.4525.
16.4620	2	2175236	WASHER-booster cylinder end dust cover.
16.4630	1	2222107	WASHER-booster cylinder end oil retainer RH end.
16.4630	1	2175232	WASHER-booster cylinder end oil retainer-LH end.

POWER STEERING HYDRAULIC FLUID PUMP

NOTE: Fluid pump driven hub, adapter and pilot ring prior to chassis 3866 are the same as shown for SL-12488-Div N

16.4700	1	2404043	PUMP-power steering hydraulic fluid-w/dip stick and reservoir. STPD VT-36-100-40-95-40-10-S-3. Adapted for hydrashift. Bolt 3/8-24 x 1-3/8 in hex SL-12448, SL-12898. Repl 2194968, 2316980 and 2360235, 2378588 pumps.
---------	---	---------	---

16.4710	1	2321092	KIT-repair, power steering fluid pump-consist of 1-903201 inner bearing, 1-954211 outer bearing, 1-2321091 oil seal, 1-5665438 ring, 1-5664585 rotor & 12-5664576 vane repl 5665731.
16.4720	1	5665729	KIT-gasket, power steering fluid pump-consist of sufficient gaskets for complete overhaul.
16.4730	1	5680505	KIT-hyd fluid pump rotor, vane & ring-consist of 1-5664585 rotor, 12-5664576 vane & 1-5665438 ring.
16.4740	1	5664610	KIT-hyd power strg fluid pump vane-consists of 12-5664576 vanes.
16.4750	1	2360633	ADAPTER-hyd. fluid pump-not part of pump. For use w/pilot ring SL-12448 Div N and SL-12898. Repl 2194972.
16.4750	1	2378587	ADAPTER-hyd. fluid pump-for use w/pilot ring. SL-12448-Div P.
16.4755	1	2342047	BAFFLE-reservoir-hyd. fluid pump.
16.4760	1		BALL-hyd fluid pump control valve-relief 3/16 dia. pro loc.
16.4770	1	903201	BEARING-hydraulic fluid pump drive shaft-inner. STPD #3201.
16.4770	1	954211	BEARING-hydraulic fluid pump drive shaft-outer. STPD #WC-87504.
16.4785	1	2383626	BODY-hydraulic fluid pump-w/drilled holes.
16.4785	1	2312888	BODY-reservoir, hydraulic fluid pump-part of 2194968 & 2316980 pump.
16.4785	1	2362368	BODY-reservoir, hydraulic fluid pump-part of 2360235 pump.
16.4785	1	2401932	BODY-reservoir, hydraulic fluid pump-part of 2404043 pump.
16.4787	1	2401933	BOLT-reservoir body control-w/plate. 1/4-20 thd part of 2404043 pump.
16.4800	1	2305134	COVER-hydraulic fluid pump-bolt 3/8-16 x 2-1/4 & 3/8-16 x 3-1/4 hex hd. Used w/pump 2194968.
16.4800	1	2324641	COVER-hydraulic fluid pump. Bolts 3/8-16 x 2-1/4, 3-1/4 hex. Use w/pump 2316980.
16.4810	1	2318029	COVER-hydraulic fluid pump reservoir-bolt 3/8-16 x 4-3/4 hex hd. Part of 2194968 & 2316980 pump.
16.4810	1	2362369	COVER-hydraulic fluid pump reservoir-part of 2360235 pump.
16.4810	1	2401936	COVER-hydraulic pump reservoir-part of 2404043 pump.
16.4820	1	5664569	GASKET-hydraulic fluid pump-to body.
16.4820	1	5664575	GASKET-hydraulic fluid pump-cover.
16.4820	1	2194973	GASKET-hydraulic fluid pump-to adapter. Not part of pump.
16.4830	1	5150057	GASKET-hydraulic fluid pump adapter-to flywheel housing. Not part of pump.
16.4840	1	5664930	GASKET-hydraulic fluid pump reservoir-cover.
16.4840	1	5664570	GASKET-hydraulic fluid pump reservoir-cover bolt guide.
16.4840	4	5665571	GASKET-hydraulic fluid pump reservoir-cover attaching bolt.
16.4850	1	5665654	GUIDE-hydraulic fluid pump control valve relief spring.
16.4860	1	5664577	GUIDE-hydraulic fluid pump reservoir bolt-cover.
16.4860	1	2401934	GUIDE-hydraulic fluid pump reservoir bolt-part of 2404043 pump.
16.4870	1	2194969	HUB-hydraulic fluid pump-driven. Not part of pump. Prior to chassis #1301.
16.4870	1	2326312	HUB-hydraulic fluid pump-driven. Not part of pump. Eff w/chassis #1301 SL-12448-Div N.
16.4870	1	2378584	HUB-hydraulic fluid pump-driven. SL-12448-Div P.
16.4870	1	5171922	HUB-hydraulic fluid pump-drive. Not part of pump. Prior to chassis #1301.
16.4870	1	2326309	HUB-hydraulic fluid pump-drive. Not part of pump. Eff w/chassis #1301.
16.4880	1	106749	KEY-hydraulic fluid pump-drive hub 1/8 x 1/2 woodruff. Eff w/chassis #1301.
16.4890	2	5680269	PIN-locating, body to cover ring-.1887 dia x 1.375 in long.
16.4900	1	2324642	PLATE-hydraulic fluid pump-pressure repl 2305141.
16.4910	1	5665830	PLUG-hydraulic fluid pump flow control spring retainer-at cover end.
16.4920	1	2070610	RETAINER-hydraulic fluid pump coupling ring-not part of pump. Prior to chassis #1301.
16.4930	1	5160408	RING-coupling, hydraulic fluid pump-not part of pump. Prior to chassis #1301.
16.4930	1	2326310	RING-coupling, hydraulic fluid pump-not part of pump. Eff w/chassis #1301.
16.4938	1	2360635	RING-hyd fluid pump adapter-pilot. SL-12448 Div N and SL-12898.
16.4938	1	2378589	RING-hyd. fluid pump adapter-pilot. SL-12448-Div P.
16.4940	1	5681137	RING-hydraulic fluid pump body to cover-repl 5665438.
16.4950	1	5665651	RING-hydraulic fluid pump shaft-retaining drive shaft outer brg. 1.998 OD x .062 thk.
16.4960	1	5680711	RING-flow control spring retainer plug-sealing. At cover end. Repl 5665829.487 ID x .693 OD, rubber.
16.4960	1	5665828	RING-flow control spring retainer plug-snap at cover end.
16.4965	1	2318233	RING-sealing, hyd fluid pump dip stick-.362 ID x .568 OD.
16.4980	1	5664585	ROTOR-hydraulic fluid pump.
16.4990	1	5665677	SCREW-hyd fluid pump control valve-relief 5/16-24 x .312 hex hd.
16.5000	4	5680865	SCREW-hyd fluid pump reservoir body-shakeproof. 1/4-20 x 3/4 hex hd.
16.5010	2	5664578	SEAL-hydraulic fluid pump -2.468 ID x 2.608 OD x .070 thk. rubber.
16.5020	1	2321091	SEAL-hydraulic fluid pump rotor shaft.
16.5030	1	5681681	SHAFT-hyd fluid pump-drive. Repl 5665657.
16.5040	1	5665831	SHIM-hyd fluid pump control valve-.015 thk.
16.5040	AR	2321911	SHIM-hyd fluid pump control valve-.030 thk.

16.5040	AR	2321912	SHIM-hyd fluid pump control valve-.045 thk.
16.5045	1	2326311	SPRING-hyd fluid pump coupling-not part of pump. Eff w/chassis #1301.
16.5050	1	5665652	SPRING-hyd fluid pump control.
16.5060	1	2305144	SPRING-hyd fluid pump control valve relief.
16.5065	1	2318030	STICK-dip, hyd fluid pump reservoir body-incl ring & washer. Part of 2194968 & 2316980.
16.5065	1	2362370	STICK-dip, hyd. Fluid pump reservoir body-part of 2360235 pump.
16.5065	1	2401937	STICK-dip, fluid pump reservoir body-part of 2404043 pump.
16.5070	2	060129	STUD-hyd fluid pump adapter-to flywheel hsg 3/8-16, 3/8-24 x 1-1/2. Not part of pump.
16.5080	1	2305132	VALVE-hyd fluid pump control-incl relief ball, spring, shim & screw.
16.5085	1	2318232	WASHER-hyd fluid pump dip stick-felt 1/2 ID x 7/8 OD.
16.5090	1	103321	WASHER-hyd fluid pump reservoir cover bolt-3/8 lock.
16.5090	1	2342046	WASHER-hyd fluid pump reservoir cover bolt-plain. .406 ID x 1 ID x .188 thk. Repl 5664573.
16.5090	1	2401935	WASHER-hyd fluid pump reservoir cover bolt.

POWER STEERING HYDRAULIC FLUID LINE,
HOSES & FITTINGS

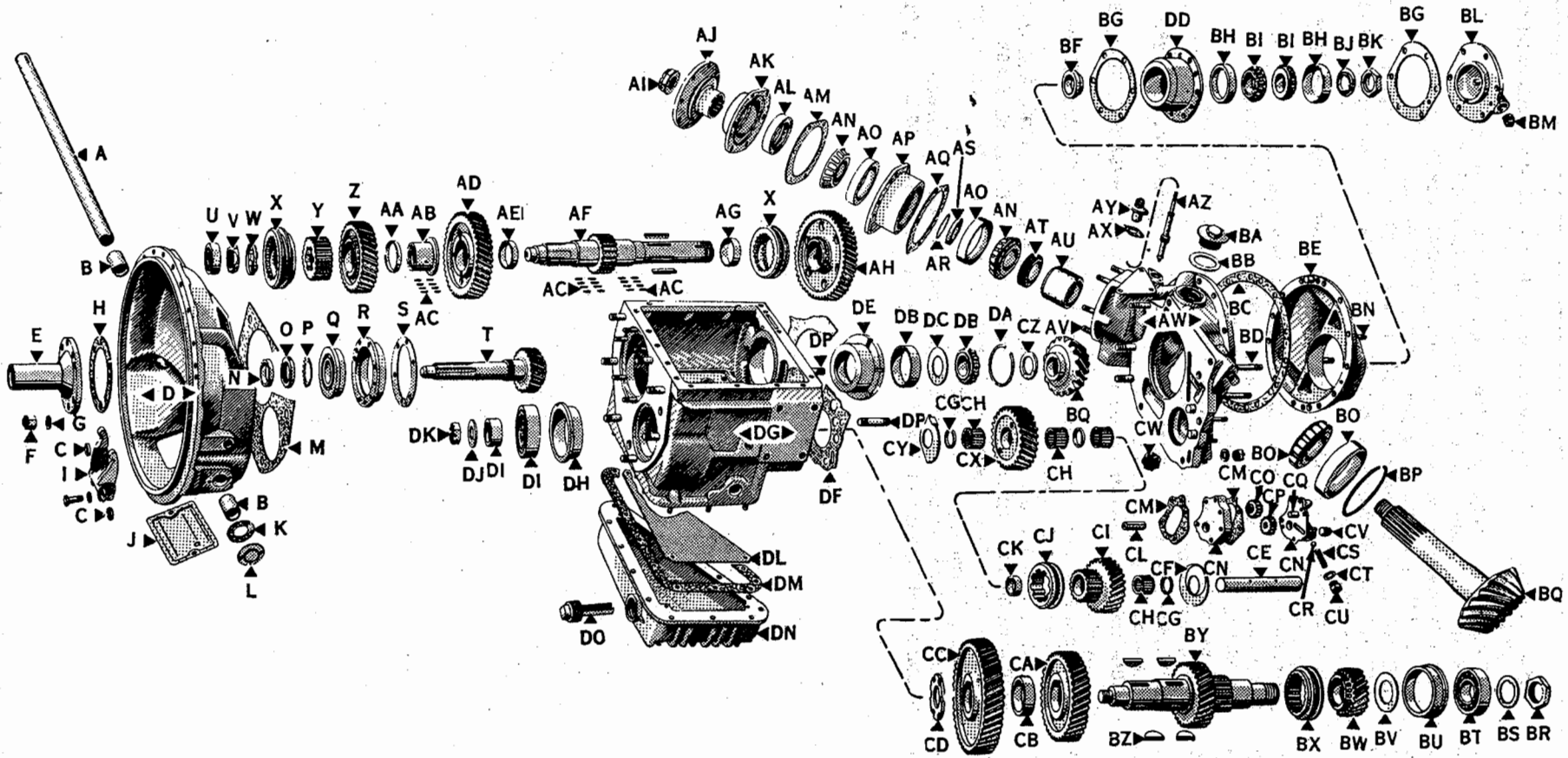
16.5092	1	2387408	ADAPTER-hyd fluid line-hose to filter. SL-12898.
16.5094	1	2329204	BOWL-hyd fluid line filter-SL-1197 Div J, SL-12448.
16.5094	1	2407736	BOWL-hyd fluid line filter-part of 2406301 filter. SL-12898.
16.5095	1	2328816	BRACKET-hydraulic fluid line-mtg filter bolt 1/4-28 x 3/4 hex hd - SL-12448.
16.5095	1	2406301	BRACKET-hydraulic fluid line-mtg. filter. Bolt 1/4-28 x 3/4 in hex. SL-12898.
16.5097	1	2406144	CLAMP-fluid line filter-SL-12898.
16.5100	1	2305222	CLAMP-hyd fluid hose-at lateral rod.
16.5110	2	120528	CLIP-hyd fluid line-3/4 closed 1/4 bolt hole.
16.5110	2	5165244	CLIP-hyd fluid line-hose. At lateral rod.
16.5110	1	2214220	CLIP-hyd fluid line-1 x 3-3/16 w/one 9/32 dia hole.
16.5130	AR	118752	CONNECTOR-hyd fluid line-at rear seat back 1/2 x 3/8 ft. Div H-J. Use w/pump 2194968.
16.5130	2	9402709	CONNECTOR-hyd. Fluid line-at rear seat back use w/pump 2316980. SL-11797 Div. H. SL-12448.
16.5140	2	2307286	COUPLING-hyd fluid line-line to hose. In engine compt 1-9/16 in long.
16.5150	2	2311360	ELBOW-hyd fluid line-at booster cylinder prior to chassis #1301.
16.5150	AR	137426	ELBOW-hyd fluid line-filter. At rear seat back. 5/8 x 1/2 inv fl. Div. H-J. SL-12448.
16.5152	1	2329202	ELEMENT-hyd fluid line filter-SL-11797 Div J & SL-12448.
16.5152	1	2407734	ELEMENT-hyd fluid line filter-part of 2406161 filter. SL-12898.
16.5153	1	2372671	FILTER-hydraulic fluid line-Incl element & gasket. For use w/magnetic plug. SL-12448, 11797. Repl 2328071.
16.5153	1	2406161	FILTER-hydraulic fluid line-Incl element, nut, bowl, head, gasket and stud.

NOTE: When replacing 2328071 filter brg 2372671 filter is as also necessary
1-2372661 plug assy & 1-119937 gasket.

16.5155	AR	2307286	FITTING-hydraulic fluid line-at seat back 1-1/4-12 x 1-9/16 hex. SL-11797 Div. H-J, SL-12448.
16.5155	1	5182512	FITTING-hydraulic fluid line-return hose 3/4 in-16.
16.5155	1	5182513	FITTING-hydraulic fluid line-return hose 3/8 in-18.
16.5160	2	271285	FITTING-power steering booster cylinder lubrication-1/8-90 degrees.
16.5163	1	2329205	GASKET-hyd fluid line filter-SL-11797 Div J & SL-12448.
16.5163	1	2407733	GASKET-hyd fluid line filter-bowl head. Part of 2406161 filter. SL-12898.
16.5163	1	119937	GASKET-hyd. fluid line-magnetic plug. 1/2 dia. copper. Asbestos. SL-12448.
16.5170	2	2215928	GROMMET-hyd fluid line-7/8 ID x 1-1/4 OD x 1/2 thk, cut, gr rubber.
16.5170	2	2305569	GROMMET-hyd fluid line-5/8 ID x 1-3/8 OD x 3/8 thk, cut, gr rubber
16.5172	1	2329203	HEAD-hyd fluid line filter-Div. J.
16.5172	1	2407735	HEAD-hyd fluid line filter-part of 2406161 filter. SL-12898.
16.5175	2	2194795	HOSE-hyd fluid line-supply & return at fluid pump. Used w/pump 2194968.
16.5175	2	2319839	HOSE-hyd fluid line-supply and return at fluid pump. Use w/pump 2316980.
16.5175	1	2310612	HOSE-hyd fluid line-flexible-pressure-bracket to booster cylinder. Incl fittings. Use w/pump 2194968.
16.5175	1	2340868	HOSE-hyd fluid line-flexible-pressure-bracket to booster cylinder. Incl fittings. Use w/pump 2316980-2378588-2404043.
16.5175	1	2318967	HOSE-hyd fluid line-flexible-return. Incl fittings. Approx 26-1/2 long. Used w/pump 2194968.

16.5175	1	2340869	HOSE-hyd fluid line-flexible-return. Incl. fittings. Used w/pump 2316980-2378588-2404043.
16.5180	1	2311697	LINE-hyd fluid-supply. At engine compt. & SL-12448 Div. C.
16.5180	1	2311699	LINE-hyd fluid-return. At engine compt & SL-12448 Div. C.
16.5180	1	2351524	LINE-hyd fluid-supply. At engine compt. SL-12448 Div D.
16.5180	1	2351526	LINE-hyd fluid-return. At engine compt. SL-12448 Div D.
16.5180	1	2224985	LINE-hyd fluid-supply & return. 5/8 OD approx 37 ft reqd. Repl R-32433.
16.5180	1	2361949	LINE-hydraulic fluid-supply. 5/8 OD, approx 152-1/2 in dev lgths. SL-12898 w/2404043 pump.
16.5180	1	2406302	LINE-hydraulic fluid-supply .5/8 in OD, approx 7.68 dev lgth. SL-12898. w/2404043 pump.
16.5180	1	2351526	LINE-hydraulic fluid-return. SL-12898. w/2404043 pump.
16.5190	AR	2378672	LOOM-hyd fluid line-supply & return 11/16 ID. .25 ft roll-CTL.
16.5190	AR	2224549	LOOM-hyd fluid line-3/4 ID, 25 ft roll-CTL.
16.5195	AR	2217263	NUT-hydraulic fluid line-at seat back SL-11797 Div H-J SL-12448.
16.5195	2	2367139	NUT-hydraulic fluid line-at filler.
16.5196	1	2224767	NUT-hyd fluid line filter-element stud. Part of 2406161 filter. SL-12898.
16.5198	1	2178496	PLUG-drain, hyd fluid line filter-Div J.
16.5198	1	2372661	PLUG-drain, hyd fluid line filter-magnetic. For use w/2372671 filter. SL-12448, SL-42898.
16.5200	AR	5665574	SEAL-hyd fluid line hose-O ring. At booster cylinder. .674 ID x .877 OD rubber used w/pump 2194968.
16.5200	4	2320263	SEAL-hyd. fluid line hose. ID .644 OD .818 use w/pump 2316980 & SL-12448 Div A-B.
16.5205	1	2411802	STUD-hyd fluid line filter-element. Part of 2406161 filter. SL-12898.
16.5210	AR	5665572	UNION-hyd fluid line hose-hose at booster cylinder. 3/4-16 ext thd x 1.46 in long, brass. Used w/pump 2194968.
16.5210	4	9403190	UNION-hyd fluid line hose-hose at booster cyl used w/pump 2316980.
16.5220	AR	2304265	WASHER-hyd fluid line-1-9/32 ID x 2 OD x .1195 thk SL-11797 Div H-J, SL-12448.

176



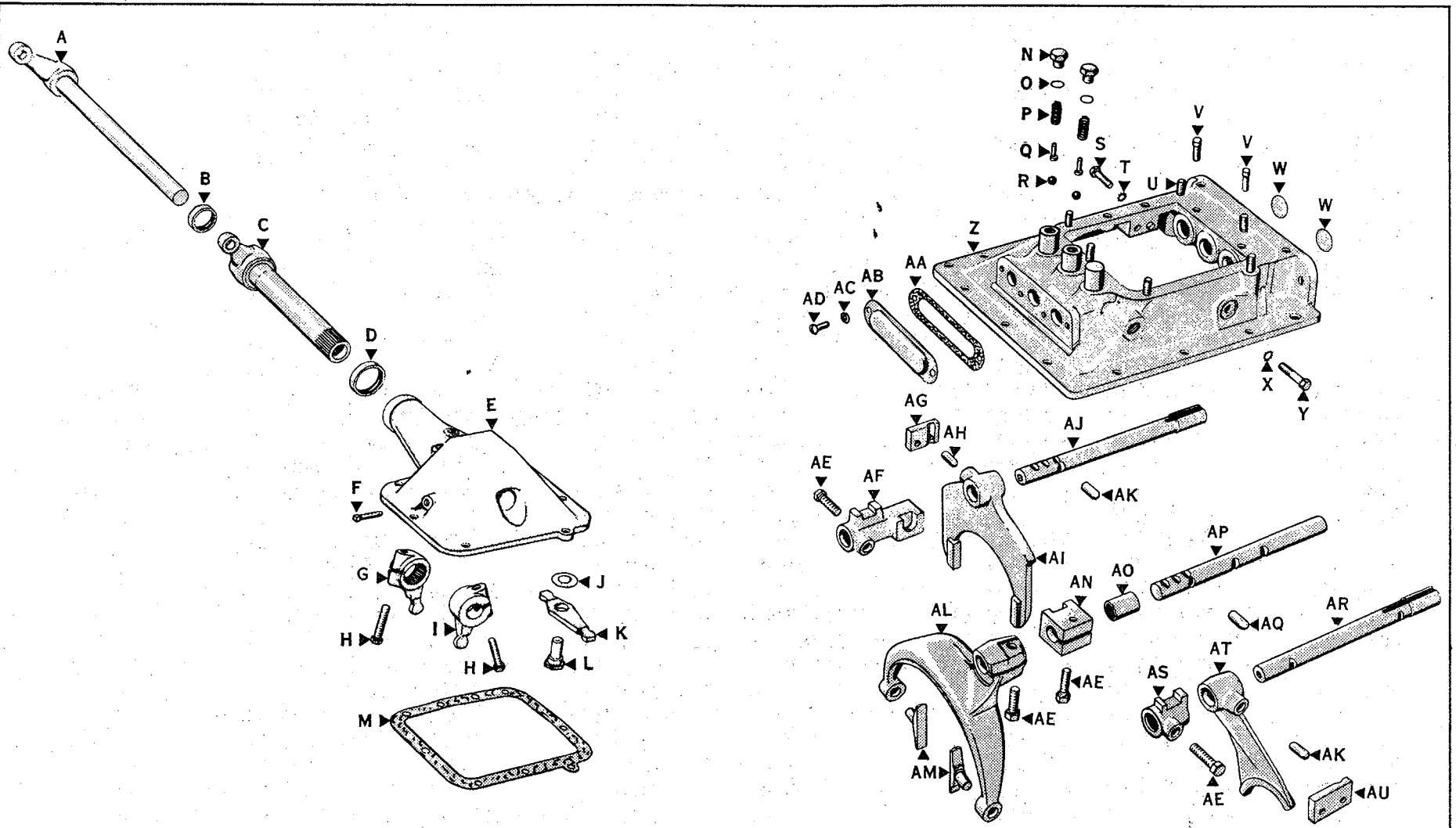
TRANSMISSION

17-47

MECHANICAL TRANSMISSION
(TDM Models)

KEY TO MECHANICAL TRANSMISSION

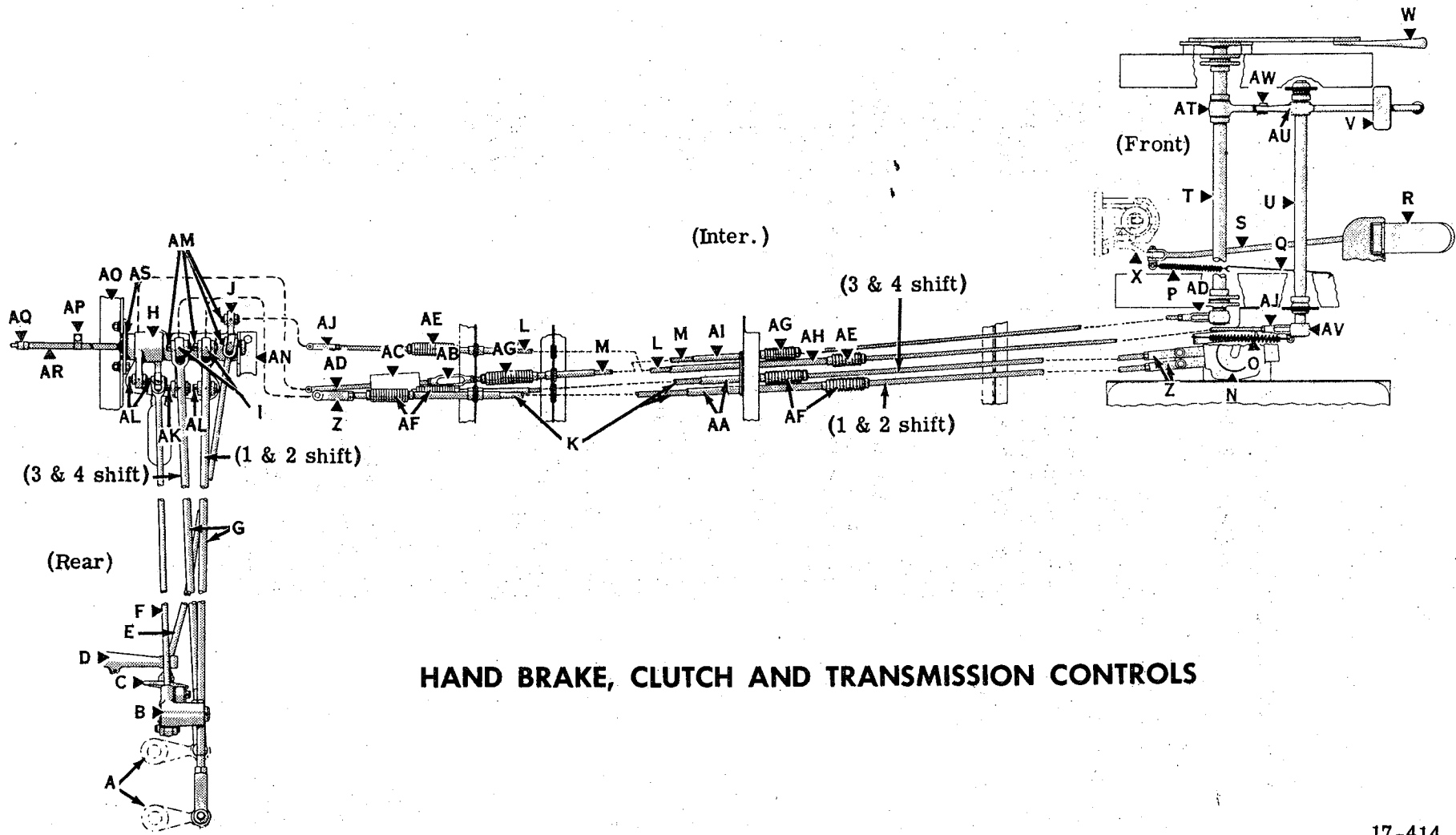
Key	Description	Group No.	Key	Description	Group No.	Key	Description	Group No.	Key	Description	Group No.
A	SHAFT	5.0800A	AF	SHAFT	17.0460	BM	PLUG-1/2-14-B	20.0630	CO	GEAR (drive)	17.1830
B	BUSHING	5.0535A	AG	SPACER(. 819)	17.0980	BN	STUD	17.0610	CP	GEAR (driven)	17.1820
C	KEY-release fork	5.0619A	AH	GEAR	17.0619	BO	BEARING	17.3810	CQ	SHAFT (driven gear)	17.1890
D	HOUSING	5.0970A	AI	NUT(1/2-20)	17.3870	BP	RING	17.3900	CR	BALL (3/8 dia)	20.0010
E	CAP	17.1130	AJ	FLANGE	18.0390	BQ	GEAR	17.3800	CS	SPRING	17.1910
F	NUT(3/8-24 steel)	20.0460	AK	CAP	17.3820	BR	NUT-rear bearing	17.1475	CT	WASHER	17.1935
G	WASHER- (3/8 lock, heavy)	20.0820	AL	SEAL	17.3910	BS	WASHER- rear bearing nut	17.1635	CU	PLUG	17.1865
H	SHIM	17.0585	AM	GASKET	17.3850	BT	BEARING-rear	17.1330	CV	PLUG-pump cover (1/2-14 iron type B)	20.0630
I	FORK	5.0600A	AN	CONE	17.3830	BU	RETAINER	17.1505	CW	PLUG-drain, angle drive case	17.0440
J	COVER	5.0990A	AO	CUP	17.3840	BV	WASHER-thrust	17.1650	CX	GEAR (drive)	17.1670
K	GASKET	5.0605A	AP	RETAINER	17.3890	BW	GEAR	17.1395	CY	WASHER(1-41/64 I. D. W/shoulder)	17.1770
L	PLATE	5.0695A	AQ	SHIM	17.3930	BX	COLLAR	17.1355	CZ	SPACER	17.3940
M	GASKET	5.1000A	AR	SHIM	17.3920	BY	COUNTERSHAFT	17.1320	DA	RING	17.0545
N	NUT	17.1190	AS	SPACER	17.3960	BZ	KEY	17.1470	DB	BEARING	17.0460
O	SEAL	17.1250	AT	GEAR(drive)	7.5200	CA	GEAR	17.1420	DC	WASHER	17.1090
P	WASHER	17.1300	AU	SPACER	17.3950	CB	SPACER	17.1610	DD	RETAINER(rear brg)	17.0525
Q	BEARING	17.1110	AV	STUD	17.3970	CC	GEAR	17.1390	DE	RETAINER (center bearing)	17.0525
R	RETAINER	17.1215	AW	CASE (angle dr)	17.0330	CD	WASHER	17.1637	DF	GASKET	17.0397
S	GASKET	17.1175	AX	GASKET (sleeve)	7.5199	CE	SHAFT	17.1750	DG	CASE-main	17.0330
T	GEAR	17.1100	AY	SLEEVE	7.5305	CF	WASHER(1-41/64 I. D. x 3-7/8 O. D.)	17.1770	DH	RETAINER	17.1503
U	BEARING	17.0475	AZ	GEAR	7.5210	CG	SPACER-bearing (.235" long)	17.1760	DI	BEARING-front	17.1330
V	NUT	17.0818	BA	PLUG-insp.	17.0440	CH	BEARING	17.1680	DJ	WASHER-front bearing nut	17.1660
W	WASHER	17.1055	BB	GASKET	17.0417	CI	GEAR(driven)	17.1670	DK	NUT-front bearing	17.1477
X	COLLAR	17.0764	BC	GASKET- (end cover)	17.0410	CJ	COLLAR	17.1695	DL	SCREEN	17.0447
Y	GEAR	17.0750	BD	STUD	17.0457	CK	SPACER-bearing (.630" long)	17.1760	DM	GASKET	17.0415
Z	GEAR	17.0670	BE	COVER-end	17.0380	CL	SHAFT (drive gear)	17.1900	DN	COVER	17.0395
AA	SPACER(. 322 thk)	17.0980	BF	PLUG-mn shft	17.0522	CM	GASKET	17.1805	DO	PLUG	17.0440
AB	COLLAR	17.0766	BG	SHIM	17.0585	CN	BODY (incl. cover)	17.1783	DP	STUD-main to angle case	17.0457
AC	BEARING-needle	17.0705	BH	CUP	17.0497						
AD	GEAR	17.0650	BI	CONE	17.0494						
AE	SPACER(. 662)	17.0980	BJ	WASHER	17.0617						
			BK	NUT	17.0515						
			BL	CAP	17.0490						



TRANSMISSION COVER, FINGER AND FORKS

KEY TO MECHANICAL TRANSMISSION COVER, FINGERS & FORKS

Key	Description	Group No.
A	Lever—3rd & 4th speed	17.3105
B	Lever—1st, 2nd & reverse speed	17.3105
C	Bolt (3/8"-24 x 1-3/4" hex. hd.)	20.0050
D	Washer (3/8" lock, heavy)	20.0820
E	Seal	17.3395
F	Key	17.2175
G	Bushing	17.2125
H	Rod	17.0446
I	Cover—main case	17.0380
J	Plug—oil level (in cover)	17.0440
K	Bolt—interlock (9/16"-18 x 1/2" hex. hd.)	N.S.
L	Washer	17.2630
M	Finger	17.2140
N	Screw (3/8"-24 x 1-1/2")	17.2450
O	Spring	17.2560
P	Washer	17.2615
Q	Sleeve (3-1/2" long)	17.2505
R	Sleeve (3-3/4" long)	17.2505
S	Fork	17.1995
T	Fork	17.2000
U	Screw (7/16"-20 x 1-3/8")	17.2460
V	Screw (7/16"-20 x 1-53/64")	17.2460
W	Bolt (5/16"-18 x 5/8" hex. hd.)	17.2105
X	Washer (No. 8 int. tooth lock)	20.0815
Y	Cover	17.2127
Z	Gasket	17.2145
AA	Interlock	17.2170
AB	Spring	17.2540
AC	Plunger	17.2370
AD	Rod (3rd & 4th speed)	17.2040
AE	Rod (1st & 2nd speed)	17.2020
AF	Rod (reverse)	17.2060
AG	Ball	17.2090
AH	Shaft—3rd & 4th speed	17.3455
AI	Shaft—1st 2nd & reverse speed	17.3455



HAND BRAKE, CLUTCH AND TRANSMISSION CONTROLS

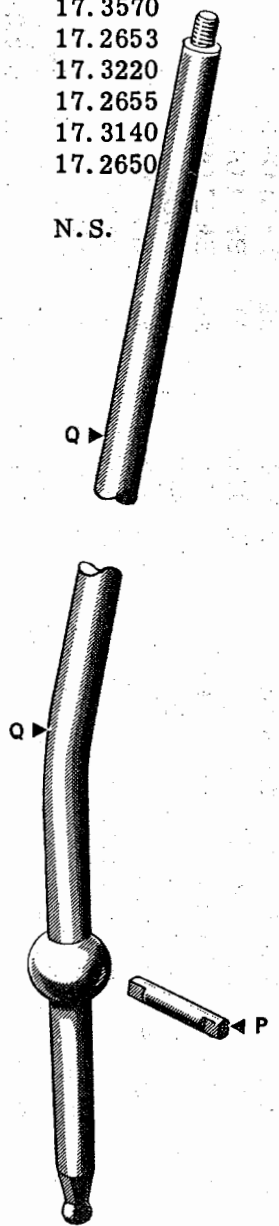
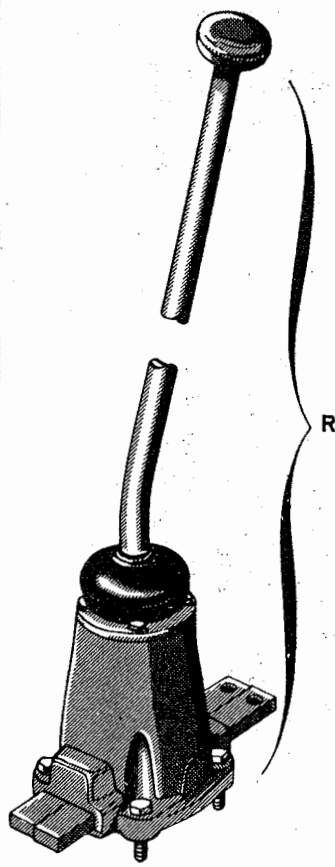
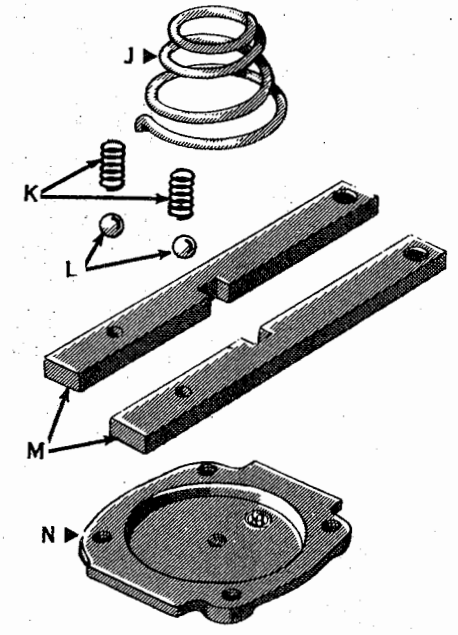
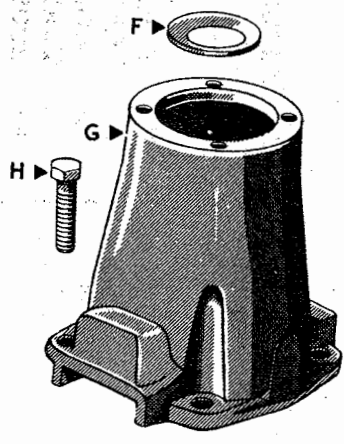
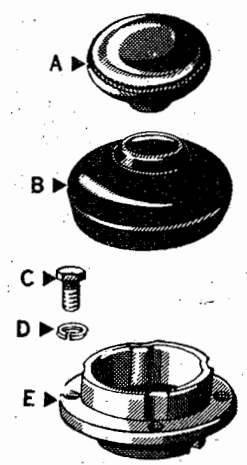
TRANSMISSION

KEY TO HAND BRAKE, CLUTCH AND TRANSMISSION CONTROLS

Key	Description	Group No.	Key	Description	Group No.
A	LEVER - trans. shift (operating)	17. 3105	Y	RAIL	17. 3220
B	LEVER - idler, parking brake	4. 7130	Z	YOKE - (1/2"-20 x 3")	20. 0830
C	NUT - adjusting, clutch control rod	5. 0660	AA	LOOM	17. 3125
D	LEVER - clutch, release shaft	5. 0620	AB	TURNBUCKLE	4. 7455
E	ROD - clutch control, b/crank to clutch lever	5. 0750	AC	HOUSING	4. 7112
F	ROD - parking brake, intermediate	4. 7260	AD	YOKE (At damper)	4. 7480
G	ROD - trans. control, rear	17. 3340	AE	BELLOWS	5. 0427
H	LEVER - bellcrank, parking brake	4. 7130	AF	BELLOWS	17. 2665
I	LEVER - bellcrank, trans. shift	17. 3050	AG	BELLOWS	4. 6908
J	LEVER - bellcrank, clutch	5. 0620	AH	LOOM	5. 0655
K	ROD - trans. control (344")	17. 3340	AI	LOOM	4. 7157
L	ROD - clutch control	5. 0750	AJ	YOKE	5. 0960
M	ROD - parking brake	4. 7260	AK	PIN	17. 3154
N	TOWER	17. 3735	AL	PIN (1/2 x 1-27/64)	20. 0610
O	SPRING - clutch pedal return	5. 0840	AM	PIN (3/8 x 1-3/32)	20. 0610
P	SPRING - brake treadle return	4. 5970	AN	BRACKET (W/shaft)	17. 2700
Q	EXTENSION - spring	4. 5815	AO	BRACKET (Lever supt.)	17. 2700
R	TREADLE - brake	4. 5995	AP	CLIP (#6 -3/8 dia. , W/1/4 bolt hole)	20. 0160
S	ROD - brake treadle	4. 5895	AQ	FITTING (1/8 straight)(Pro. Loc.)	N. S.
T	SHAFT - cross, parking brake	4. 7320	AR	TUBE - lubrication (R-32006)	
U	SHAFT - cross, clutch lever	5. 0780	AS	WASHER-(Felt)	17. 3755
V	PEDAL - clutch	5. 0690	AT	LEVER - (Clutch pedal)	5. 0620
W	LEVER - hand, parking brake	4. 7125	AU	LEVER - (Outer)	5. 0620
X	LEVER - application valve	4. 3330	AV	LEVER - (Inner)	5. 0620
			AW	LINK	5. 0640

MECHANICAL TRANSMISSION SHIFT CONTROL

Key	Description	Group No.
A	Knob	17. 3010
B	Cover-dust	17. 2840
C	Screw (1/4-20 x 5/8 hex, plain)	20. 0050
D	Washer (1/4 lock)	20. 0820
E	Tap	17. 3720
F	Washer (1-13/16"OD x 1-13/16"ID)	17. 3780
G	Tower	17. 3735
H	Bolt (3/8-16 x 1-3/4" hex.)	20. 0050
J	Spring-lever support	17. 3640
K	Spring-ball	17. 3570
L	Ball	17. 2653
M	Rail	17. 3220
N	Base	17. 2655
P	Pin-lever	17. 3140
Q	Lever	17. 2650
R	Tower-control, trans. shift (Complete)	N.S.



TRANSMISSION ASSEMBLY

17.0010	1	2293842	TRANSMISSION-main mechanical-7141
17.0020	1	2263218	GASKET SET-transmission
17.0165	2	065878	NUT-transmission mounting stud-eye nut 7/8-14
17.0315	2	2011234	STUD-transmission mounting-eye. 7/8-14-9 x 2

TRANSMISSION CASE

17.0330	1	2210653	CASE-transmission-main.
17.0330	1	2268685	CASE-transmission-angle drive. Incl. inserts and bevel gear brg. ret.
17.0350	6	2048533	BOLT-transmission cover-end cover. 7/16-20 x 1-23/52.
17.0350	1	2096642	BOLT-transmission cover-end cover. 7/16-20 x 3-15/32.
17.0360	1	2257165	BREATHER-transmission
17.0380	1	2380522	COVER-transmission case-main case. Incl. inserts, bushings, sleeve & plugs.
17.0380	1	2210661	COVER-transmission case-end. Angle drive case.
17.0395	1	2210659	COVER-transmission case oil reservoir.
17.0397	1	2210660	GASKET-transmission case-main to angle drive.
17.0410	1	2307893	GASKET-transmission case cover-main case cover. Repl. 2027588.
17.0410	1	2096641	GASKET-transmission case cover-angle drive case end cover.
17.0415	1	2096636	GASKET-transmission case oil reservoir cover.
17.0417	1	2027606	GASKET-transmission case inspection plug.
17.0425	4	088636	PIN-dowel, transmission case-main & angle drive case, main case & clutch housing. 7758 OD std.
17.0425	4	2018526	PIN-dowel, transmission case-main & angle drive case. Main case & clutch housing. .8115 OD OS.
17.0425	2	2047048	PIN-dowel, transmission case-end cover .6558 OD.
17.0440	1	2231401	PLUG-transmission case-oil reservoir cover. 1-1/4-11 thd x 4-5/16.
17.0440	1	2096645	PLUG-transmission case-oil level. in cover.
17.0440	1	085577	PLUG-transmission case-drain. Angle drive case.
17.0440	3	279337	PLUG-transmission case-end. Angle drive case.
17.0440	1	2096644	PLUG-transmission case-inspection. Angle drive case.
17.0445	4	694453	RING-snap, transmission case dowel pin.
17.0446	1	2099193	ROD-transmission oil level.
17.0447	1	2096637	SCREEN-oil, transmission case oil reservoir.cover.
17.0453	3	2096638	SCREW-transmission case oil reservoir screen.
17.0455	1	2052964	SLEEVE-transmission oil level rod-in cover
17.0457	12	649122	STUD-transmission case-case & oil reservoir cover. 3/8-16-24 x 1-11/16.
17.0457	5	2027595	STUD-transmission case-main & angle drive case. 5/8-11 x 2-3/4.
17.0457	1	2242967	STUD-transmission case-main & angle drive case. 5/8-11 x 3-3/16.
17.0457	2	2027596	STUD-transmission case-main & angle drive case. 5/8-11 x 3-7/16.
17.0457	3	2096643	STUD-transmission case-angle drive case & end cover. 7/16-14-20 x 3-25/32.
17.0459	8	671246	WASHER-transmission case stud & nut-main & angle drive case stud. .656 ID x 1-1/8 OD.
17.0459	20	2027593	WASHER-transmission case stud & nut-end cover stud & bolt. .453 ID, 3/4 OD.

TRANSMISSION MAINSHAFT

17.0460	1	2315009	MAINSHAFT-transmission-Repl. 2096647.
17.0465	1	7450948	BEARING-mainshaft center-stpd BU-1311-Z.
17.0475	1	7450892	BEARING-pilot mainshaft-stpd U-1306-TM.
17.0490	1	2096652	CAP-mainshaft rear bearing.
17.0404	2	178842	CONE-mainshaft bearing rear-stpd 55196.
17.0497	2	107323	CUP-mainshaft bearing rear-stpd 55437.
17.0515	1	2094292	NUT-lock transmission mainshaft rear bearing-1-31/32-18.
17.0522	1	2096648	PLUG-transmission mainshaft.
17.0525	1	2120312	RETAINER-transmission mainshaft bearing-center bearing.
17.0525	1	2091756	RETAINER-transmission mainshaft bearing-rear bearing.
17.0545	1	2027615	RING-snap transmission mainshaft bearing-center bearing.
17.0585	AR	2096649	SHIM-trans. m/shaft rear bearing cap & retainer-.003.
17.0585	AR	2096650	SHIM-trans. m/shaft rear bearing cap & retainer-.010.
17.0585	AR	2096651	SHIM-trans. m/shaft rear bearing cap & retainer-.031.
17.0610	2	2024979	STUD-transmission rear bearing cap-1/2-13-20 x 2-5/8.

17.1610	2	2028976	STUD-transmission rear bearing cap-1/2-13-20 x 2-3/8.
17.0610	2	2027613	STUD-transmission rear bearing cap-1/2-13-20 x 4-3/4.
17.0616	AR	2335010	TUBE-drain trans. brg. cap repl. R-31092, 2224982.
17.0617	1	2094293	WASHER-transmission mainshaft bearing locknut.

TRANSMISSION MAINSHAFT GEARS

17.0619	1	2065865	GEAR-transmission mainshaft 1st-49 and 22 teeth.
17.0650	1	2027640	GEAR-transmission mainshaft 2nd speed-42 and 22 teeth.
17.0670	1	2027642	GEAR-transmission mainshaft 3rd speed-33 and 22 teeth.
17.0705	AR	2142347	BEARING-needle mainshaft gear-1st speed gear 138 reqd.
17.0705	AR	2142347	BEARING-needle mainshaft gear-2nd speed gear 138 reqd.
17.0705	AR	2142347	BEARING-needle mainshaft gear-3rd speed gear 138 reqd.
17.0750	1	2247443	CLUTCH-transmission 3rd & 4th speed mainshaft 22 ext teeth.
17.0764	2	2027645	COLLAR-clutch transmission mainshaft gear-1st and 2nd speed, 3rd and 4th speed 22 int teeth.
17.0766	1	2096671	COLLAR-thrust transmission mainshaft gear-3rd speed gear, 3-9/16 OD flange, 6 spline.
17.0818	1	2027648	NUT-lock, transmission mainshaft gear-3rd & 4th speed gear.
17.0980	1	2096668	SPACER-transmission mainshaft gear bearing-1st speed needle bearing. 2.718 ID x 2.895 OD x .819.
17.0980	1	2096669	SPACER-transmission mainshaft gear bearing-2nd speed needle bearing. 2.718 ID x 2.895 OD x .662.
17.0980	1	2096670	SPACER-transmission mainshaft gear bearing-3rd speed needle bearing. 2.718 ID x 2.895 OD x .322.
17.1055	1	2075279	WASHER-lock, transmission gear lock nut-2-23/32 OD.
17.1090	1	2048537	WASHER-thrust, transmission mainshaft gear-1st speed gear.

TRANSMISSION MAIN DRIVE GEAR

17.1100	1	2228768	GEAR-transmission main drive.
17.1110	1	954251	BEARING-transmission main drive gear-ND 1311-AX-1A. Repl. bearing stpd. N-1311-A.
17.1130	1	2096655	CAP-transmission main drive gear bearing.
17.1175	1	2210664	GASKET-transmission main drive gear brg. retainer.
17.1190	1	2027617	NUT-lock, transmission main drive gear bearing.
17.1215	1	2210663	RETAINER-main drive gear bearing.
17.1250	1	2096658	SEAL-oil, transmission drive gear bearing cap.
17.1255	AR	2096656	SHIM-main drive gear bearing cap-.003 2 reqd.
17.1255	AR	2096657	SHIM-main drive gear bearing cap-.010 2 reqd.
17.1285	6	2210665	STUD-main drive gear bearing cap.
17.1300	1	093719	WASHER-transmission main drive gear lock nut-2-3/16 ID.

TRANSMISSION COUNTERSHAFT

17.1320	1	2096659	COUNTERSHAFT-transmission.
17.1330	1	127909	BEARING-transmission countershaft-front stpd A-1309-TS.
17.1330	1	907310	BEARING-transmission countershaft-rear stpd 7310-X 1A.
17.1340	1	2027687	BUSHING-transmission countershaft gear-1st speed gear.
17.1355	1	2247444	COLLAR-clutch transmission countershaft.
17.1390	1	2228769	GEAR-transmission countershaft drive.
17.1395	1	2096632	GEAR-transmission countershaft 1st speed-incl. bushing. 22-2 teeth.
17.1420	1	2027653	GEAR-transmission countershaft 3rd speed-38 teeth.
17.1470	4	118002	KEY-transmission countershaft gear-2-1/8 in. long.
17.1475	1	2027624	NUT-retaining transmission countershaft rear bearing-1.968-18.
17.1477	1	2027622	NUT-transmission countershaft front bearing-1-20.
17.1478	2	2210669	PIN-transmission countershaft bearing retainer-front and rear bearing.
17.1503	1	2210668	RETAINER-countershaft frnt bearing.
17.1505	1	2210666	RETAINER-countershaft rear bearing.
17.1610	1	2027651	SPACER-transmission countershaft drive gear-2-17/32 ID, 3-1/4 OD.
17.1635	1	2027611	WASHER-lock, rear bearing lock nut-21D, 3-1/4 OD.
17.1637	1	2096672	WASHER-retainer, countershaft drive gear-1-25/32 ID, 3-5/8 OD.
17.1650	1	2026673	WASHER-thrust, transmission countershaft gear-1st speed gear. 1-63/64 ID, 3-1/2 OD.

17.1660 1 2027623 WASHER-transmission countershaft front brg-brg. nut. 1-1/64 ID, 2-1/8 OD.

TRANSMISSION REVERSE IDLER GEAR

17.1670 1 2065864 GEAR-transmission reverse idler-driver 24-18 teeth.
 17.1670 1 2027629 GEAR-transmission reverse idler-drive 27-18 teeth.
 17.1680 4 7450925 BEARING-transmission reverse idler gear-stpd. 94720.
 17.1695 1 2027635 COLLAR-clutch transmission reverse idler gear-4-1/8 OD, 9 int. teeth.
 17.1730 1 2096667 PLUG-transmission reverse idler gear shaft hole-.390 in. dia. x 3/4.
 17.1750 1 2315010 SHAFT-transmission reverse idler gear-repl. 2096666.
 17.1760 1 2027630 SPACER-transmission reverse idler gear bearing-long. 1-3/8 ID, 1-22/32 OD. x .630.
 17.1760 3 2027632 SPACER-transmission reverse idler gear bearing-short. 1.265 ID, 1.625 OD. x .235.
 17.1770 1 2027634 WASHER-thrust, transmission reverse idler gear 1-41/64 ID, 3-7/8 OD.
 17.1770 1 2027633 WASHER-thrust, transmission reverse idler gear 1-41/64 ID. irregular OD. With shoulder.

TRANSMISSION OIL PUMP

17.1783 1 SN 2527 BODY-transmission oil pump-incl. cover.
 17.1785 1 2046917 BUSHING-transmission oil pump drive gear-3/16 ID., .595 OD. x 15/32.
 17.1790 1 2024672 BUSHING-transmission oil pump driven gear-1/2 ID., 5/8 OD. x .6.
 17.1805 2 2096680 GASKET-transmission oil pump cover.
 17.1820 1 2024075 GEAR-driven, transmission oil pump-incl. bushing.
 17.1830 1 2046916 GEAR-driving, transmission oil pump.
 17.1855 2 2096681 PIN-dowel, transmission oil pump cover-.187 in. dia. x .531.
 17.1865 1 2096677 PLUG-transmission oil pump relief ball spring 5/8-18 thd., hex. hd.
 17.1890 1 2046918 SHAFT-transmission oil pump driven gear-1-5/16 long.
 17.1900 1 2096683 SHAFT-transmission oil pump drive gear-2-3/16 long.
 17.1910 1 2096676 SPRING-transmission oil pump relief ball.
 17.1924 4 2096682 STUD-transmission oil pump-to main case.
 17.1935 1 2096684 WASHER-transmission oil pump spring plug-41/64 ID. x 7/8 OD.

TRANSMISSION SHIFT FORKS AND RODS

17.1995 2 2027655 FORK-shift, transmission clutch collar.
 17.2000 1 2027656 FORK-shift, transmission reverse.
 17.2020 1 2027657 ROD-shift, transmission 1st and 2nd speed.
 17.2040 1 2027658 ROD-shift, transmission 3rd and 4th speed.
 17.2060 1 2027659 ROD-shift, transmission reverse.
 17.2090 3 266807 BALL-transmission shift fork-7/16 in. dia.
 17.2105 6 180075 BOLT-transmission shift rod cover.-5/16-18 x 5/8.
 17.2125 4 2027683 BUSHING-transmission shift finger.
 17.2127 1 2052961 COVER-transmission shift rod.
 17.2140 2 2027666 FINGER-shift, transmission.
 17.2145 1 2052962 GASKET-transmission shift rod cover.
 17.2170 2 2027665 INTERLOCK-transmission shift fork.
 17.2175 4 103907 KEY-transmission shift finger.
 17.2370 3 798166 PLUNGER-transmission shift fork.
 17.2450 2 2027669 SCREW-transmission shift finger-3/8-24 x 1-1/2.
 17.2460 2 058723 SCREW-transmission shift fork-7/16-20 x 1-53/64.
 17.2460 4 2028299 SCREW-transmission shift fork-7/16-20 x 1-3/8.
 17.2505 2 2027661 SLEEVE-stop, transmission shift rod-reverse shift rod. 1-1/16 OD. x 3-1/2.
 17.2505 1 2027660 SLEEVE-stop, transmission shift rod-clutch collar fork. 1-1/16 OD x 3-3/4.
 17.2540 3 093104 SPRING-transmission shift fork shift rod poppet ball.
 17.2560 1 2027662 SPRING-transmission shift fork reverse latch plunger.
 17.2615 1 2027663 WASHER-transmission reverse lockout spring-1-3/4 OD., .906 ID. x .125.
 17.2630 1 2027663 WASHER-transmission shift finger-1-3/4 OD., .906 ID. x .125.

TRANSMISSION GEAR SHIFT LEVER AND CONTROL

17.2650 1 2295340 LEVER-transmission gear shift.
 17.2653 2 104920 BALL-poppet, transmission gear shift-3/8.
 17.2655 1 2170400 BASE-transmission remote control tower.

17.2657	2	148577	BEARING-transmission control bell crank lever. Stpd. VB-1416-A.
17.2657	4	148444	BEARING-transmission control bell crank lever. Stpd. B-88-OH.
17.2665	2	2321957	BELLOWS-transmission remote control rod. Repl. 2225551.
17.2667	2	2095357	BOLT-transmission remote control-bracket to floor. Repl. 2045357.
17.2695	1	2295256	BRACKET-gear shift remote control tower.
17.2700	1	2255756	BRACKET-transmission remote control rod-control lever. Supports clutch, brake & trans. levers.
17.2700	1	2294946	BRACKET-transmission remote control rod-lower. W/shaft.
17.2755	AR	178303	CLAMP-remote control rod bellows-7/8 dia.
17.2805	1	2029931	COLLAR-remote control tower-reverse shift shaft.
17.2840	1	2040555	COVER-dust, gear shift lever.
17.2897	2	2321975	FERRULE-trans. remote control rod bellows.
17.2955	6	2295273	GROMMET-transmission remote control rod.
17.3010	1	374993	KNOB-gear shift lever-repl. 367576.
17.3050	1	2294968	LEVER-bell crank gear shift control-1st, 2nd & reverse.
17.3050	1	2295226	LEVER-bell crank gear shift control-3rd & 4th.
17.3105	1	2296515	LEVER-transmission top control operating lever-1st, 2nd and reverse speed.
17.3105	1	2296515	LEVER-transmission top control operating lever-3rd & 4th speed.
17.3125	AR	R 35295	LOOM-transmission remote control rod-9/16 ID. Repl. R 34996.
17.3140	1	2040554	PIN-gear shift lever.
17.3152	1	2027695	PIN-trans. remote control tower collar-reverse shift shaft collar. 1-3/8 in. long, .2975 OD.
17.3153	1	2027695	PIN-transmission top control shaft-1-3/8 in. long, .2975 OD.
17.3154	1	2115768	PIN-yoke, transmission remote control rod.
17.3220	2	2172929	RAIL-shift gear shift lever.
17.3340	1	2295279	ROD-transmission remote control-1st & 2nd shift. 344 in. long.
17.3340	1	2295279	ROD-transmission remote control-3rd & 4th shift. 344 in. long.
17.3340	1	2294945	ROD-transmission remote control-rear 1st & 2nd shift. 35-1/2 in. long.
17.3340	1	2294949	ROD-transmission remote control-rear 3rd & 4th shift. 30-11/16 in. long.
17.3395	3	2312883	SEAL-oil, transmission top control-shift shaft.
17.3455	1	2027690	SHAFT-shift transmission top control-1st, 2nd and reverse speed.
17.3455	1	2027670	SHAFT-shift transmission top control-3rd & 4th speed.
17.3495	1	2294544	SPACER-gear shift control bell crank lever-57/64 ID, 1-3/4 OD. x 1/2 in. long.
17.3570	2	2007117	SPRING-gear shift lever ball.
17.3640	1	2040552	SPRING-gear shift lever support.
17.3720	1	2040546	TOP-gear shift lever control tower.
17.3735	1	2172922	TOWER-gear shift remote control lever.
17.3755	1	2303953	WASHER-gear shift control lever-felt. Repl. 2230420.
17.3780	1	2040553	WASHER-gear shift lever seat-1-13/16 OD., 1-3/16 ID.

TRANSMISSION BEVEL GEAR AND PINION

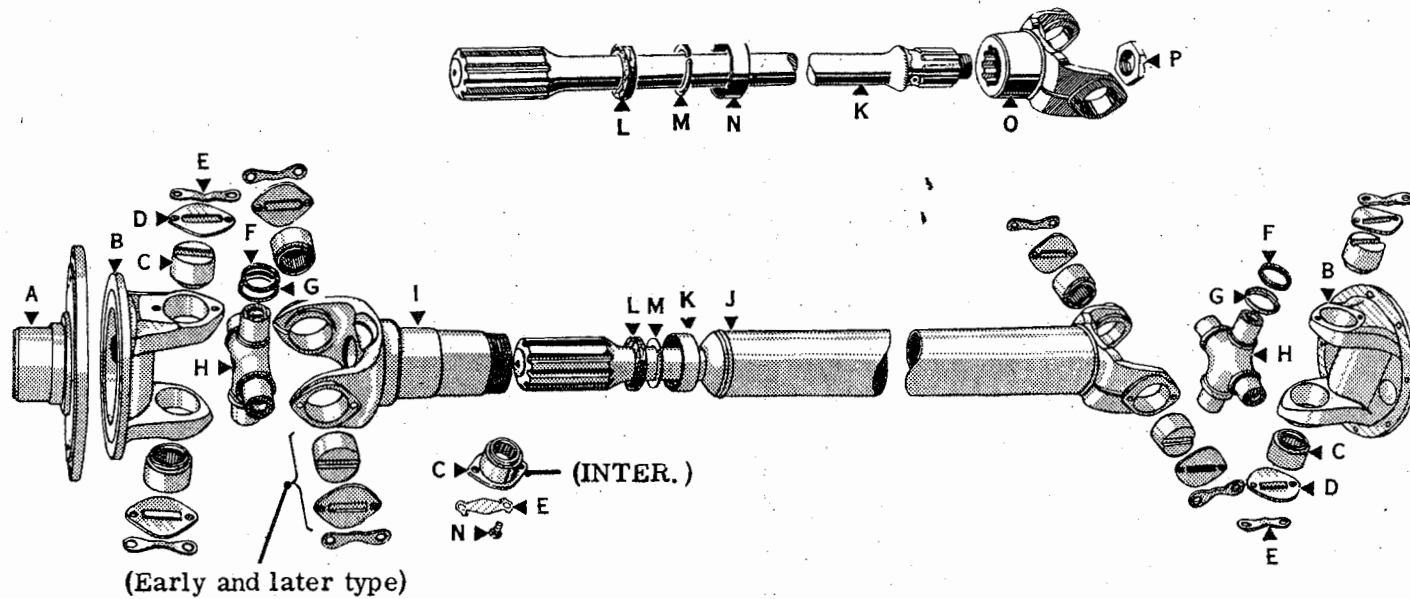
17.3800 1 2401876 GEAR-bevel, w/pinion. Repl. 2096634.

NOTE: Since experience has proven that individual gear and pinion replacements are not advisable, we recommend the use of matched sets only.

17.3810	1	441291	BEARING-transmission bevel gear-stpd. 1-71727.
17.3820	1	2140170	CAP-transmission output shaft bearing.
17.3830	2	179266	CONE-transmission output shaft bearing-stpd. 66586.
17.3840	2	178840	CUP-transmission output shaft bearing-Stpd. 66520.
17.3850	1	2096665	GASKET-transmission output shaft bearing cap.
17.3860	2	708789	KEY-transmission bevel gear.
17.3870	1	2048536	NUT-transmission output shaft-1-1/2-18.
17.3880	1	2210670	RETAINER-transmission bevel gear bearing.
17.3890	1	2096663	RETAINER-transmission output shaft bearing.
17.3900	1	708774	RING-snap, transmission bevel gear bearing.
17.3910	1	2094286	SEAL-oil, transmission output shaft-3-7/8 ID., 4.393 OD. x 1-3/16.
17.3920	3	708756	SHIM-transmission output shaft bearing cone-.003. 3 req'd.
17.3920	2	708757	SHIM-transmission output shaft bearing cone-.010. 2 req'd.
17.3920	1	708758	SHIM-transmission output shaft bearing cone-.030. 1 req'd.
17.3930	4	2096649	SHIM-transmission output shaft bearing retainer-.003. 4 req'd.
17.3930	2	2096650	SHIM-transmission output shaft bearing retainer-.030. 2 req'd.
17.3930	1	2096651	SHIM-transmission output shaft bearing retainer-.031. 1 req'd.
17.3935	1	2145617	SLINGER-dust, output shaft.
17.3940	AR	2065863	SPACER-transmission bevel pinion-front. .230.

17.3940	AR	2047037	SPACER-transmission bevel pinion-front. .245.
17.3940	AR	2065866	SPACER-transmission bevel pinion-front. .260.
17.3940	1	2091758	SPACER-transmission bevel pinion-rear. .948.
17.3950	1	2096662	SPACER-transmission output shaft bearing-2.385 ID. x 2.730 ID. x 3-1/2 OD.
17.3960	1	2096661	SPACER-transmission output shaft bearing cone-2.395 ID. 2-3/4 OD. x 3/8.
17.3970	6	2024979	STUD-transmission output shaft bearing cap-1/2-13-20 x 2-5/8.

IMPORTANT: Refer to your Final Vehicle Record for Assemblies and Special Equipment (SL's) used on each vehicle.



18-03F

PROPELLER SHAFT

Key	Description	Group No.	Key	Description	Group No.
A	FLANGE (At Transmission)	18.0390	H	KIT (Journal)	18.0050
B	YOKE	18.0400	I	YOKE (At Slip Joint)	18.0405
C	BEARING	18.0070	J	TUBE	18.0030
D	CAP (Used w/Early Type Brg.)	18.0140	K	CAP	18.0415
E	STRAP	18.0330	L	WASHER (Cork)	18.0495
F	GASKET	18.0160	M	WASHER (Steel)	18.0495
G	RETAINER	18.0250	N	SCREW	18.0270

PROPELLER SHAFT TUBE

18.0030 1 2410205 TUBE-propeller shaft-incl. yoke & stub shaft. 28-31/32 in. weld to weld. Use w/3/8-24 x 21/32 lock strap screw. Repl. 2294803 tube using 5/16-24 x 9/16 screw and 2366102 tube.

UNIVERSAL JOINTS

18.0050 2 2366108 KIT-universal joint-incl. 1 journal, 4 bearings, 8-cap screws 3/8-24 x 21/32 & 4 lock straps. Repl. 2322138.
 18.0050 2 2370733 KIT-universal joint-incl. journal, 4 bearings, 4 bearing caps, 8 cap screws 3/8-24 x 21/32 and 4 lock straps.
 18.0070 8 2301520 BEARING-universal joint-w/cap integral. W/5/16 holes. Repl. 082666.
 18.0070 8 2366104 BEARING-universal joint-w/cap. Integral. W/3/8 holes.
 18.0070 8 N.P.N. BEARING-universal joint-w/cap not part of brg.
 18.0140 8 082985 CAP-universal joint bearing-non integral type and w/5/16-24 x 9/16 screw.
 18.0140 8 2369758 CAP-universal joint brg.-non integral type and w/3/8-24 x 21/32 screw.
 18.0160 8 085992 GASKET-universal joint journal bearing-cork. Early type.

NOTE: Journals sold only in kits shown in Group 18.0050.

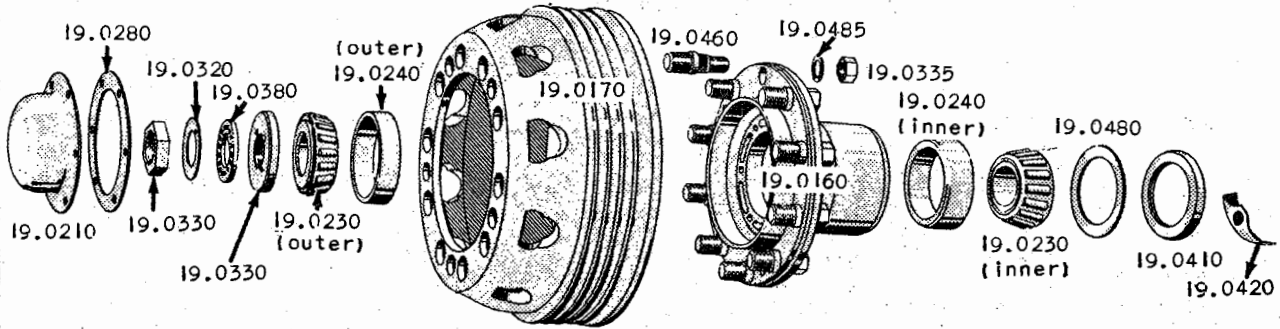
18.0250 8 085993 RETAINER-universal joint journal brg. gasket or seal.
 18.0270 16 099572 SCREW-universal joint brg. lock strap--5/16-24 x 9/16.
 18.0270 8 2366107 SCREWS-universal joint brg. lock strap--3/8-24 x 21/32 hex.
 18.0303 8 2338107 SEAL-universal joint brg.-rubber. Later type.
 18.0330 8 678075 STRAP-lock, universal joint bearing--stpd. 98-94. W/5/16 holes.
 18.0330 8 2366106 STRAP-lock, universal joint brg. -w/3/8 holes.
 18.0350 2 3680760 VALVE-relief, universal joint journal--stpd. 800.

PROPELLER SHAFT FLANGES

18.0390 1 2096674 FLANGE-companion, universal joint-at trans.
 18.0390 1 2244639 FLANGE-companion, universal joint-incl. slinger, wiper and O ring. Part of axle.
 18.0400 2 2366105 YOKE-flange, universal joint-to trans. & axle companion flanges. Used w/3/8-24 x 21/32 brg. lock strap screws. Repl. 2057408.
 18.0405 1 2381251 YOKE-slip, universal joint-sleeve type. 2228334, 2366103.
 18.0410 8 2110683 BOLT-universal joint flange-to rear axle flange.
 18.0410 8 2054389 BOLT-universal joint flange-7/16-20 x 1-3/8 to trans.
 18.0415 1 085986 CAP-dust, universal joint slip yoke.
 18.0430 1 2221248 NUT-universal joint flange-drive pinion.
 18.0430 8 068904 NUT-universal joint flange-rear axle flange bolt.
 18.0430 8 2065147 NUT-universal joint flange-trans. companion flange bolt.
 18.0438 1 2319752 O RING-universal joint flange-at axle companion flange.
 18.0450 1 2232432 SLINGER-universal joint flange-at axle.
 18.0495 2 085989 WASHER-universal joint slip yoke dust cap-steel. 2-1/32 ID, 2-21/32 OD.
 18.0495 1 085987 WASHER-universal joint slip yoke dust cap-cork. 2 ID, 2-45/64 OD.
 18.0497 1 2289524 WIPER-universal joint flange oil seal at axle.

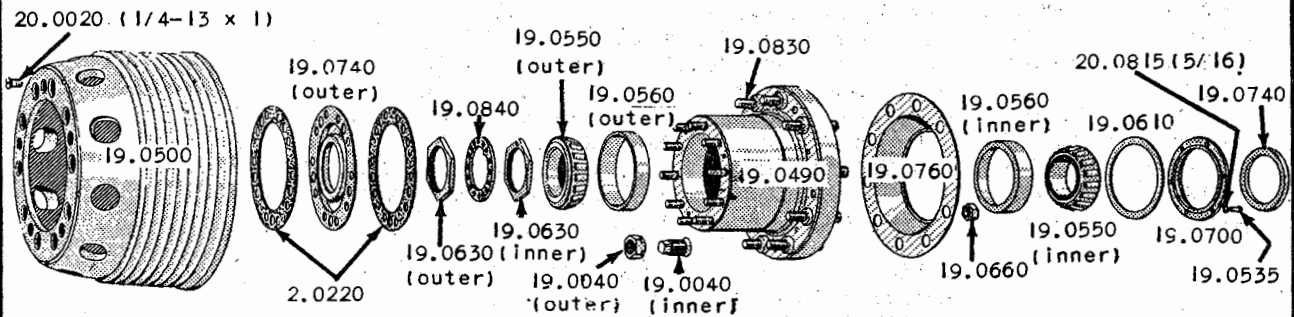
IMPORTANT: Refer to your Final Vehicle Record for Assemblies and Special Equipment (SL's) used on each vehicle.

WHEELS



19-50

FRONT HUB AND BEARINGS



19-149

REAR HUB AND BEARINGS

WHEEL ASSEMBLY

19.0010	7	2280150	WHEEL-less locking ring-incl. disc & rim, less side ring. 20 x 8 LW type rim, 10 stud, 11-1/4 bolt circle, 6-1/2 offset. Stpd. 66450 Budd Wheel.
19.0010	7	2410268	WHEEL-less locking ring-incl. disc & rim. Less side ring. 20 x 8 JM type Rim. 10 stud. 11-1/4 bolt circle. 6-5/8 offset. Stpd. 76850. Budd Wheel.
19.0040	20	279670	NUT-wheel lock-RH outer. 1-1/8-16 x 7/8 in. thick. Stpd. R.
19.0040	20	279671	NUT-wheel lock-LH outer. 1-1/8-16 x 7/8 in. thick. Stpd. L.
19.0040	10	2201406	NUT-wheel lock-rear wheel, RH inner. 3/4-16 int. thd., 1-1/8-16 ext. thd. x 2-1/8 in. long stpd. R.
19.0040	10	2201407	NUT-wheel lock-rear wheel, LH inner. 3/4-16 int. thd, 1-1/8-16 ext., thd. x 2-1/8 in. long stpd. L.
19.0070	7	2371912	RING-wheel rim side-locking w/2371910 wheel.
19.0070	7	2371911	RING-wheel rim side-stpd. 8020 JC. w/2371910 wheel stpd. 75190.
19.0090	7	2244688	RING-wheel rim side-w/2280150 wheel. Stpd. 66450.

FRONT HUB AND DRUM

19.0160	1	2260074	HUB-front wheel-RH. Incl. cups & w/studs 3-5/8 lg.
19.0160	1	2260075	HUB-front wheel-LH. Incl. cups & w/studs 3-5/8 lg.
19.0160	1	2305975	HUB-front wheel-R.H. Incl. cups & w/studs 3-7/8 in. lg.
19.0160	1	2305977	HUB-front wheel-L.H. Incl. cups & w/studs 3-7/8 in. lg.

NOTE: The above 4 hub assemblies are used w/Timken Bearings.
Std. & SL-11797 & 12448.

19.0160	1	2362871	HUB-front wheel-R.H. Incl. cups & w/Tyson Brgs. SL-12448-Div. G-H.
19.0160	1	2362872	HUB-front wheel-L.H. Incl. cups & w/Tyson Brgs. SL-12448-Div. G-H.
19.0170	2	2294492	DRUM-front brake-screw 1/4-13 x 1.
19.0210	2	2093955	CAP-front hub-W/O Tachograph. Std. & SL-11797 & 12448.
19.0210	1	2093955	CAP-front hub-R.H. w/tachometer drive. SL-11797-Div. L-M, SL-12448-Div. F-H-J-K.
19.0210	1	2339910	CAP-front hub LH. Incl. tachometer driver and rivet. SL-11797-Div. L & M, SL-12448-Div. F-H-J-K.
19.0230	2	118587	CONE-front wheel brg.-inner. Stpd. #6379 use w/o tachgraph.
19.0230	1	118587	CONE-front wheel brg.-R.H. Inner. Stpd. 6379. Use w/tachograph. SL-11797-Div. L-M, SL-12448-Div. F-J-K.
19.0230	1	113250	CONE-front wheel brg.-L.H. Inner. Stpd. 6386. Use w/tachograph. SL-11797-Div. L-M, SL-12448-Div. F-J-K.
19.0230	1	9410944	CONE-front wheel brg.-inner Tyson #6379. SL-12448 Div. G-H.
19.0230	2	121750	CONE-front wheel brg.-outer. Stpd. #557-8.
19.0230	2	9410947	CONE-front wheel brg.-outer. Tyson 557-S. SL-12448-Div. G-H.
19.0240	2	118588	CUP-front wheel bearing-inner. Stpd. #6320.
19.0240	2	120413	CUP-front wheel bearing-outer. Stpd. #552-A.
19.0240	2	9410945	CUP-front wheel brg.-inner. Tyson #6320. SL-12448-Div. G-H.
19.0240	2	9410948	CUP-front wheel brg.-outer. Tyson #552-A. SL-12448-Div. G-H.
19.0280	2	2306427	GASKET-front hub cap-w/o tachograph. Std. & SL-11797 & 12448.
19.0320	2	694780	LOCK-front wheel brg. adj. nut.
19.0330	2	2257993	NUT-adj. front wheel bearing-incl. Dowel inner.
19.0330	2	694782	NUT-adj. front wheel bearing-outer. Jam.
19.0335	AR	274641	NUT-front wheel stud-7/8-14. Repl. 2218644.
19.0338	2	649092	PIN-dowel, front wheel brg. adj. nut-19/32 in. long.
19.0380	2	694781	RING-lock, front wheel brg. adj. nut.
19.0380	1	2306427	GASKET-front hub cap-R.H. For use w/tachograph. SL-11797 & 12448.
19.0380	1	2357973	GASKET-front hub cap-L.H. For use w/tachograph. SL-11797 & 12448.
19.0410	2	2074449	SEAL-oil, front wheel bearing.
19.0420	2	2030109	SHIELD-oil, front wheel brake drum.
19.0440	2	2074450	SPACER-front wheel brg.-4.002 OD x 2.538 ID.
19.0440	1	2339913	SPACER-front wheel brg. 4.002 OD x 2.6225 ID. SL-11797-Div. L & M. SL-12448-Div. F. Use w/tachograph.
19.0460	10	2217642	STUD-front wheel hub and drum-7/8-14 & 1-1/8-16 x 3-5/8 Stpd. R.
19.0460	10	2217643	STUD-front wheel hub and drum-7/8-14 & 1-1/8-16 x 3-5/8 Stpd. L.
19.0460	10	2305978	STUD-front wheel hub & drum-7/8-14 & 1-1/8-16 x 3-7/8 stpd. R.
19.0460	10	2305979	STUD-front wheel hub & drum-7/8-14 & 1-1/8-16 x 3-7/8 stpd. L.
19.0480	2	2133236	WASHER-front wheel brg. oil seal.
19.0485	AR	2217613	WASHER-front wheel stud nut-1-3/8 OD X 57/64 ID.

REAR HUB AND DRUM

19.0490	1	2298301	HUB-rear wheel-RH. Incl. studs & cups.
19.0490	1	2298302	HUB-rear wheel-LH. Incl. studs & cups.
19.0500	2	2294982	DRUM-rear brake-screw 1/2-13 x 1.
19.0550	2	9410938	CONE-rear wheel brg.-inner. Stpd. #749-A.
19.0550	2	144488	CONE-rear wheel brg.-outer. Stpd. #663.
19.0560	2	137320	CUP-rear wheel brg.-inner. Stpd. #742.
19.0560	2	173065	CUP-rear wheel brg.-outer. Stpd. #653.
19.0610	2	2305176	GASKET-rear wheel brg. oil seal-7 OD x 5-15/16 ID. Repl. 2225275, 2276604.
19.0630	2	2405945	NUT-adj. rear wheel brg.-inner.
19.0630	2	2221220	NUT-adj. rear wheel brg.-outer.
19.0660	AR	274641	NUT-rear wheel stud-7/8-14. Repl. 2218644.
19.0675	2	649092	PIN-dowel, rear wheel brg. adj. nut-5/16 in. dia.
19.0700	2	2262716	RETAINER-rear wheel brg. oil seal.
19.0740	2	2122717	SEAL-oil, rear wheel brg.-inner. Repl. 2301820.
19.0740	2	2298288	SEAL-oil, rear wheel brg.-outer.
19.0760	2	2219365	SHIELD-oil, rear wheel brake drum-10 holes. 1-1/32 in. dia.
19.0830	10	2298305	STUD-rear wheel and hub-RH. 3/4-16 & 7/8-14 x 4-5/8.
19.0830	10	2298306	STUD-rear wheel and hub-LH. 3/4-16 & 7/8-14 x 4-5/8.
19.0835	AR	2217613	WASHER-rear wheel and hub stud nut-1-3/4 OD x 57/64 ID.
19.0840	2	2220869	WASHER-rear wheel brg. adj. nut-3.255 ID x 4-1/2 OD.
19.0850	2	2123106	WASHER-rear wheel brg. oil seal.
19.0855	2	2353318	WIPER-rear wheel brg. oil seal-outer.
19.0855	2	2275100	WIPER-rear wheel brg. oil seal-inner.

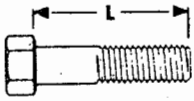
IMPORTANT: Refer to your Final Vehicle Record for Assemblies and Special Equipment (SL's) used on each vehicle.

It is important to always specify serial number of vehicle when ordering or writing about parts.

Part No. Size

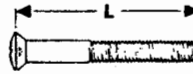
Part No. Size

LENGTH SHOWN FOR BOLTS IS FROM BOTTOM OF HEAD TO END OF THREADS



WITH THE EXCEPTION OF THOSE WITH COUNTERSUNK HEADS WHERE

THE LENGTH INCLUDES THE HEIGHT OF HEAD



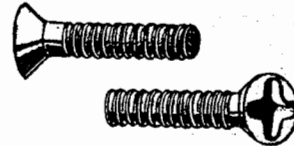
20.0010 BALL (STEEL)



- 147481 1/8
- 115527 5/32
- 104917 7/32
- 104918 1/4
- 114861 9/32
- 104919 5/16
- 119282 11/32
- 453080 23/64
- 104920 3/8
- 104922 1/2
- 104924 5/8
- 435504 1 1/4
- 187854 1/16

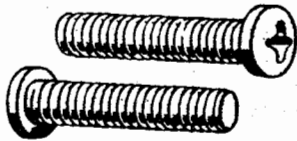
- 191983 1/4-20 x 5/8 (w/washer)
- 156253 1/4-20 x 3/4
- 156265 1/4-20 x 1
- 156327 1/4-20 x 1 1/4
- 191905 1/4-28 x 1/2
- 443505 1/4-28 x 5/8. W/Lw.
- 156431 5/16-18 x 3/4
- 191916 1/2-13 x 1 1/2
- 156466 5/16-18 x 1
- 156471 5/16-18 x 1 1/4
- 191903 5/16-24 x 3/4
- 156538 3/8-16 x 3/4
- 156554 3/8-16 x 1 1/4
- 191914 1/2-13 x 1

20.0040 BOLT (FLAT HD. TAPPING)



- 161375 #6-18 x 5/8
- 162600 #6-20 x 1/2

20.0020 BOLT (FILLISTER HD.)



- 153305 #10-24 x 3/4
- 187424 #10-32 x 1 1/8
- 110491 #10-24 x 1. Plain
- 153579 #12-24 x 1
- 153782 1/4-20 x 3/4
- 153802 1/4-20 x 1 1/4
- 191925 1/4-20 x 3 1/4
- 154005 5/16-18 x 1 1/2
- 187952 5/16-24 x 1. Plain
- 154123 3/8-16 x 1 1/2

20.0050 BOLT (HEX HD.)



Following Hex. Hd. Bolts are 280M. Carbon Steel, except where indicated. Those showing 300M are Chrome Nickel Steel and are used principally on Diesel Engines.

- 180016 1/4-20 x 1/2
- 180018 1/4-20 x 5/8
- 179793 1/4-20 x 5/8. Plain
- 186676 1/4-20 x 5/8. 300M
- 179075 1/4-20 x 5/8 (w/washer)
- 180020 1/4-20 x 3/4
- 179795 1/4-20 x 3/4. Plain
- 443603 1/4-20 x 3/4. 300M
- 180022 1/4-20 x 1
- 186647 1/4-20 x 1. 300M
- 180024 1/4-20 x 1 1/4
- 179799 1/4-20 x 1 1/4. Plain
- 186601 1/4-20 x 1 1/4. 300M
- 180034 1/4-20 x 1 1/2
- 180044 1/4-20 x 2
- 179805 1/4-20 x 2. Plain
- 186602 1/4-20 x 2. 300M
- 180048 1/4-20 x 2 1/2
- 189331 3/8-24 x 4

20.0030 BOLT (FLAT HD. MACHINE)

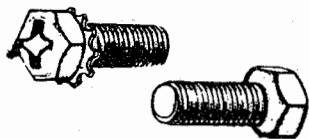


- 155848 #6-32 x 1/2
- 155895 #8-32 x 3/4
- 155941 #10-24 x 5/8
- 155945 #10-24 x 3/4
- 156241 1/4-20 x 1 1/2

180052	1/4-20 x 3	181636	3/8-24 x 7/8
181561	1/4-28 x 1 1/2	181637	3/8-24 x 1
181003	1/4-28 x 5/8	186627	3/8-24 x 1. 300M
181566	1/4-28 x 3/4	181638	3/8-24 x 1 1/8
181567	1/4-28 x 7/8	181639	3/8-24 x 1 1/4
181568	1/4-28 x 1	181643	3/8-24 x 1 1/2
181573	1/4-28 x 1 1/4	181646	3/8-24 x 1 3/4
181575	1/4-28 x 1 1/2	181648	3/8-24 x 2
181577	1/4-28 x 1 3/4	181649	3/8-24 x 2 1/4
181579	1/4-28 x 2	181650	3/8-24 x 2 1/2
181580	1/4-28 x 2 1/4	189328	3/8-24 x 2 7/8
181581	1/4-28 x 2 1/2	181652	3/8-24 x 3
181583	1/4-28 x 3	189329	3/8-24 x 3 1/4
180073	5/16-18 x 1 1/2	187044	3/8-24 x 3 1/2
180075	5/16-18 x 5/8	189330	3/8-24 x 3 3/4
191676	5/16-18 x 5/8 (w/washer)	189334	3/8-24 x 4 1/2
180078	5/16-18 x 7/8	189335	3/8-24 x 5
179817	5/16-18 x 7/8. Plain	186658	3/8-24 x 5 1/2
186625	5/16-18 x 7/8. 300M	189340	3/8-24 x 7 1/4
180079	5/16-18 x 1	189341	3/8-24 x 7 1/2
186677	5/16-18 x 1. 300M	180144	7/16-14 x 7/8
180081	5/16-18 x 1 1/4	180145	7/16-14 x 1
186624	5/16-18 x 1 1/4. 300M	180147	7/16-14 x 1 1/4
180083	5/16-18 x 1 1/2	9409089	7/16-14 x 1 1/4. 300M
179822	5/16-18 x 1 1/2. Plain	180149	7/16-14 x 1 1/2
180085	5/16-18 x 1 3/4	180151	7/16-14 x 1 3/4
180087	5/16-18 x 2	180153	7/16-14 x 2
179826	5/16-18 x 2. Plain	180155	7/16-14 x 2 1/4
180091	5/16-18 x 2 1/2	180157	7/16-14 x 2 1/2
180113	5/16-18 x 3	179868	7/16-14 x 2 1/2. Plain
187147	5/16-18 x 3 1/2	180160	7/16-14 x 3
186650	5/16-18 x 4 3/4. 300M	180162	7/16-14 x 3 1/2
181591	5/16-24 x 1 1/2	180165	7/16-14 x 4
181593	5/16-24 x 5/8	181665	7/16-20 x 7/8
181595	5/16-24 x 3/4	181666	7/16-20 x 1
181596	5/16-24 x 7/8	181668	7/16-20 x 1 1/4
181608	5/16-24 x 1	181670	7/16-20 x 1 1/2
181610	5/16-24 x 1 1/4	181672	7/16-20 x 1 3/4
181614	5/16-24 x 1 1/2	181674	7/16-20 x 2
181618	5/16-24 x 1 3/4	181675	7/16-20 x 2 1/4
181620	5/16-24 x 2	181676	7/16-20 x 2 1/2
181621	5/16-24 x 2 1/4	181678	7/16-20 x 3
181622	5/16-24 x 2 1/2	181680	7/16-20 x 3 1/2
181624	5/16-24 x 3	181682	7/16-20 x 4
189323	5/16-24 x 3 1/2	180166	1/2-13 x 1 1/2
180116	3/8-16 x 1 1/2	180172	1/2-13 x 7/8
180118	3/8-16 x 5/8	180173	1/2-13 x 1
180120	3/8-16 x 3/4	180174	1/2-13 x 1 1/8
180121	3/8-16 x 7/8	180175	1/2-13 x 1 1/4
9409218	3/8-16 x 5/8 lock type	443579	1/2-13 x 1 3/8. 300M
9409079	3/8-16 x 7/8 lock type. 3	180177	1/2-13 x 1 1/2
180122	3/8-16 x 1	186725	1/2-13 x 1 1/2. 300M
179839	3/8-16 x 1. Plain	180179	1/2-13 x 1 3/4
186678	3/8-16 x 1. 300M	180181	1/2-13 x 2
180123	3/8-16 x 1 1/8	186689	1/2-13 x 2. 300M
180124	3/8-16 x 1 1/4	155680	1/2-13 x 2 1/4. 300M
186679	3/8-16 x 1 1/4. 300M	180185	1/2-13 x 2 1/2
427558	3/8-16 x 1 3/8. 300M	186656	1/2-13 x 2 3/4. 300M
180126	3/8-16 x 1 1/2	180190	1/2-13 x 3
180128	3/8-16 x 1 3/4	190770	1/2-13 x 3 1/4. 300M
180130	3/8-16 x 2	180192	1/2-13 x 3 1/2
179847	3/8-16 x 2. Plain	186659	1/2-13 x 3 3/4. 300M
180132	3/8-16 x 2 1/4	181696	1/2-20 x 1
180134	3/8-16 x 2 1/2	455025	1/2-20 x 1. 300M
180138	3/8-16 x 3	9408985	1/2-20 x 1 (Lock type)
189304	3/8-16 x 3 1/4	181698	1/2-20 x 1 1/4
189305	3/8-16 x 3 1/2	181700	1/2-20 x 1 1/2
191163	3/8-16 x 4	181702	1/2-20 x 1 3/4
181627	3/8-24 x 1 1/2	181705	1/2-20 x 2

181707	1/2-20 x 2 1/4
181709	1/2-20 x 2 1/2
181711	1/2-20 x 3
181713	1/2-20 x 3 1/2
455032	1/2-20 x 3 1/2. 300M
181714	1/2-20 x 3 3/4
181715	1/2-20 x 4
189346	1/2-20 x 4 1/4
456954	1/2-20 x 4 1/4. 300M
189347	1/2-20 x 4 1/2
274126	1/2-20 x 4 3/4. 300M
191782	1/2-20 x 6
180201	9/16-12 x 1 1/4
450513	9/16-12 x 1 1/2. 300M
180212	9/16-12 x 1 3/4
445976	9/16-12 x 1 3/4. 300M
445977	9/16-12 x 1 7/8
180218	9/16-12 x 2
181725	9/16-18 x 1 1/4
181727	9/16-18 x 1 1/2
181729	9/16-18 x 1 3/4
181731	9/16-18 x 2
181733	9/16-18 x 2 1/2
181734	9/16-18 x 2 3/4
181735	9/16-18 x 3
181743	9/16-18 x 3 1/2
181746	9/16-18 x 3 3/4
181747	9/16-18 x 4
191785	9/16-18 x 4 1/2
271546	5/8-11 x 1 1/4
180269	5/8-11 x 1 1/2
271548	5/8-11 x 1 3/4
180279	5/8-11 x 2
180297	5/8-11 x 3
271730	5/8-11 x 3 3/4
181759	5/8-18 x 1 1/2
271746	5/8-18 x 1 3/4
271747	5/8-18 x 1 7/8
271748	5/8-18 x 2
271749	5/8-18 x 2 1/4
443611	5/8-18 x 2 1/4. 300M
271750	5/8-18 x 2 1/2
271752	5/8-18 x 3
181799	5/8-18 x 3 1/2
181810	5/8-18 x 4
181007	5/8-18 x 6 1/2
271798	3/4-16 x 1 3/8
181828	3/4-16 x 1 1/2
271791	3/4-16 x 1 3/4
181832	3/4-16 x 2
271797	3/4-16 x 3
271801	3/4-16 x 4
272507	3/4-16 x 6 3/4
272508	1/8-14 x 7

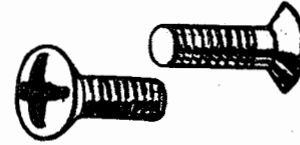
20.0060 BOLT (HEX. HD. CROSS RECESS)



191826	1/4-20 x 1/2. Int. LW
191827	1/4-20 x 5/8. Int. LW
423345	5/16-18 x 1/2. Ext. LW. Plain
191829	5/16-18 x 3/4. Less LW
191677	5/16-18 x 3/4. Ext. LW
443575	5/16-18 x 7/8. Ext. LW

191679	5/16-18 x 1. Ext. LW
446656	5/8-16 x 1. Less LW

20.0070 BOLT (OVAL HD. MACHINE)



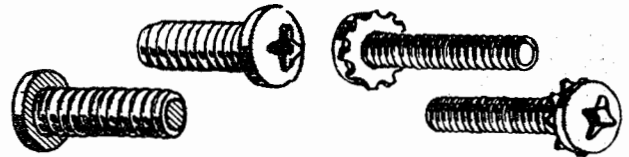
157402	1/4-20 x 3/4
156797	#8-32 x 1
156966	#10-24 x 5/8
157125	#10-32 x 5/8
157166	#10-32 x 3/4
157241	#10-32 x 2 1/4

20.0075 BOLT (OVAL HD. CROSS RECESS TAPPING)



162396	#8-15 x 1/2
168496	#8-15 x 3/4
162454	#10-12 x 1/2
167597	#10-32 x 1/2

20.0080 BOLT (PAN. HD. MACHINE)



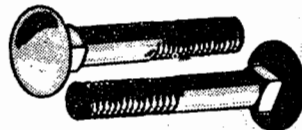
159229	#6-32 x 1/4
159572	#8-32 x 1/4
159592	#8-32 x 1/2
456816	#10-24 x 5/16. W/LW
159920	#10-24 x 1/2
443960	#10-24 x 3/4. Stainless steel
423597	#10-24 x 3/4. W/LW
159997	#10-32 x 1/4
160075	#10-32 x 1 1/4
160046	#10-32 x 1 1/2
160175	#12-24 x 1/4
160221	#12-24 x 1/2
453046	#12-24 x 1/2. W/LW
160505	1/4-20 x 3/8
191984	1/4-20 x 3/8. W/LW
160515	1/4-20 x 1/2
191985	1/4-20 x 1/2. W/LW
160541	1/4-20 x 3/4
160548	1/4-20 x 7/8
160556	1/4-20 x 1
160564	1/4-20 x 1 1/4
191879	1/4-28 x 1/2
190959	1/4-28 x 3/4. W/LW
456779	5/16-18 x 1/2. W/LW
455711	5/16-18 x 5/8. W/LW
160684	5/16-18 x 5/8
160688	5/16-18 x 3/4. Cadmium
160689	5/16-18 x 3/4. Chromium
160722	5/16-18 x 1 1/4. Cadmium
160724	5/16-18 x 1 1/4. Chromium
191886	5/16-24 x 5/8
191892	5/16-24 x 1 3/4
191893	5/16-24 x 2 1/4

20.0090 BOLT (PAN. HD. TAPPING)



- 161755 #4-24 x 3/8
- 161798 #6-18 x 1/2
- 161801 #6-18 x 5/8
- 161860 #8-15 x 1/2
- 161871 #8-15 x 3/4
- 167038 #8-32 x 3/8
- 192095 #8-32 x 1/2. W/LW
- 161892 #10-12 x 3/8
- 161895 #10-12 x 1/2
- 161901 #10-12 x 5/8
- 167156 #10-32 x 3/8
- 167163 #10-32 x 1/2
- 162077 #14-10 x 3/4

20.0100 BOLT (ROUND HD. CARRIAGE)



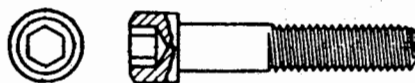
- 126335 1/4-20 x 1 1/2
- 120230 5/16-18 x 1 1/4
- 126662 5/16-18 x 3
- 127222 5/16-18 x 12
- 126416 3/8-16 x 1 3/4
- 126701 3/8-16 x 2 3/4
- 126715 3/8-16 x 3 1/2
- 126725 3/8-16 x 4
- 191842 3/8-16 x 10 1/2
- 120917 1/2-13 x 1 1/2
- 128237 1/2-13 x 1 1/2
- 126784 1/2-13 x 2 1/2. Stainless steel cap
- 126504 1/2-13 x 2

20.0110 BOLT (ROUND HD. TAPPING)



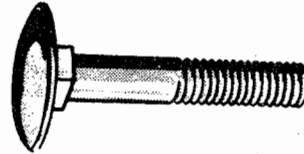
- 111683 #10-16 x 1/4

20.0115 BOLT (SOCKET HD.)



- 217946 5/16-24 x 1/2
- 138221 5/16-24 x 3/4
- 138234 5/16-24 x 1 1/2

20.0120 BOLT (STEP)



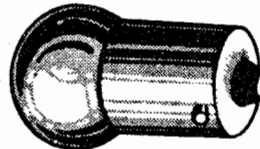
- 128313 #10-24 x 3/4
- 128367 1/4-20 x 5/8
- 128381 1/4-20 x 1
- 128390 1/4-20 x 1 1/4
- 128398 1/4-20 x 1 1/2
- 128412 5/16-18 x 3/4
- 128421 5/16-18 x 1
- 128439 5/16-18 x 1 1/2
- 120232 5/16-18 x 1 3/4

20.0125 BOLT (TRUSS HEAD CROSS RECESS MACHINE)



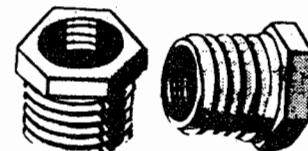
- 451264 1/4-20 x 3/4. W/Ext. tooth washer
- 273409 #12-24 x 1/16
- 157716 1/4-20 x 1/2
- 157767 5/16-18 x 5/8
- 157772 5/16-18 x 3/4
- 157777 5/16-18 x 1
- 157831 3/8-16 x 1

20.0130 BULB



- 131282 #53, 12-16V, 1CP
- 142450 #67, 12-16V, 3CP, SC
- 115273 #51, 6-8V, 1CP, SC
- 125588 #55, 6-8V, 2CP, SC
- 127934 #57, 12-16V, 1 1/2 CP, SC
- 142303 #63, 6-8V, 3CP, SC
- 142311 #64, 6-8V, 3CP, DC
- 142451 #68, 12-16V, 3CP, DC
- 142306 #81, 6-8V, 6CP, SC
- 119294 #87, 6-8V, 15CP, DC
- 142454 #93, 12-16V, 15CP, SC
- 142455 #94, 12-16V, 15CP, DC
- 188028 #1026, 12-16V, 21 & 6CP, DC
- 103642 #1129, 6-8V, 21CP, SC
- 103643 #1133, 6-8V, 32CP, SC
- 454645 #1034, 12-14V, 32-4 CP, DC
- 142456 #1141, 12-16V, 21CP, SC
- 142458 #1143, 12-16V, 32 CP, SC
- 145416 #1154, 6-8V, 21 & 3CP, DC
- 142449 #1158, 6-8V, 21 & 3CP, DC
- 110185 #2330, 6-8V, 32-32CP, DC
- 174970 #2336, 12-16V, 32-32CP, DC

20.0140 BUSHING (PIPE REDUCING)



- 119922 1/4 x 1/8 steel
- 112877 1/4 x 1/8 brass

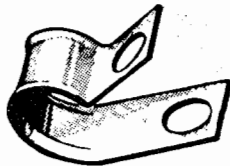
- 127956 $\frac{3}{8}$ x $\frac{1}{8}$ mall. iron
- 119928 $\frac{3}{8}$ x $\frac{1}{4}$ brass
- 144037 $\frac{1}{2}$ x $\frac{1}{8}$ mall. iron
- 144038 $\frac{1}{2}$ x $\frac{1}{4}$ mall. iron
- 120322 $\frac{1}{2}$ x $\frac{3}{8}$ brass
- 128140 $\frac{3}{4}$ x $\frac{1}{2}$ brass

20.0150 CLAMP (HOSE)



- 178300 $\frac{5}{8}$
- 178301 $1\frac{1}{16}$
- 178302 $\frac{3}{4}$
- 178303 $\frac{7}{8}$
- 178304 $1\frac{5}{16}$
- 178305 $1\frac{1}{2}$
- 178306 $1\frac{1}{8}$
- 178308 $1\frac{1}{4}$
- 178310 $1\frac{3}{8}$
- 178312 $1\frac{1}{2}$
- 2224334 3 (Universal—strap type)
- 3692864 $1\frac{1}{2}$ to $2\frac{3}{4}$ (Universal—adjustable type)
- 178315 $1\frac{3}{4}$
- 178317 $1\frac{7}{8}$
- 178320 $2\frac{1}{8}$
- 178321 $2\frac{1}{16}$
- 178323 $2\frac{3}{8}$
- 178319 $2\frac{1}{2}$
- 178324 $2\frac{1}{2}$
- 178325 $2\frac{5}{8}$
- 178326 $2\frac{3}{4}$
- 178331 $3\frac{1}{16}$

20.0160 CLIP (CLOSED)



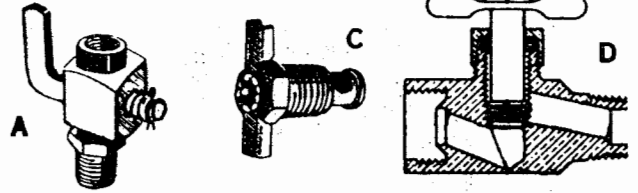
- 120521 #4- $\frac{1}{4}$ dia. x $\frac{1}{4}$ hole
- 120522 #5- $\frac{5}{16}$ dia. with $\frac{1}{4}$ hole
- 179148 #5- $\frac{5}{16}$ dia. with $\frac{3}{8}$ hole
- 120523 #6- $\frac{3}{8}$ dia. with $\frac{1}{4}$ hole
- 127879 #6- $\frac{3}{8}$ dia. with $\frac{5}{16}$ hole
- 125698 #6- $\frac{3}{8}$ dia. with $\frac{3}{8}$ hole
- 120525 #8- $\frac{1}{2}$ dia. with $\frac{1}{4}$ hole
- 120524 #7- $\frac{1}{16}$ dia. with $\frac{1}{4}$ hole
- 120527 #10- $\frac{5}{8}$ dia. with $\frac{1}{4}$ hole
- 125921 #10- $\frac{5}{8}$ dia. with $\frac{5}{16}$ hole
- 120528 #12- $\frac{3}{4}$ dia. with $\frac{1}{4}$ hole
- 125928 #7- $\frac{1}{16}$ dia. with $\frac{3}{8}$ hole

20.0170 CLIP (OPEN)



- 120872 .540 dia. with $1\frac{3}{4}$ hole

20.0180 COCK (DRAIN)



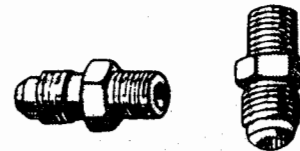
- 114981 $\frac{1}{8}$ x $\frac{7}{8}$. Type C
- 106793 $\frac{1}{8}$ x $1\frac{11}{16}$. Type A
- 103647 $\frac{1}{4}$ x $1\frac{1}{16}$. Type C
- 106794 $\frac{1}{4}$ x 2. Type A-
- 148344 $\frac{1}{4}$ x $1\frac{1}{8}$. Type D
- 118536 $\frac{3}{8}$ x $1\frac{3}{8}$. Type C
- 190366 $1\frac{3}{16}$ x $1\frac{1}{8}$. Type D

20.0190 CONNECTOR (BALL SLEEVE)



- 140353 $\frac{3}{16}$ line
- 114795 $\frac{1}{4}$ line
- 114796 $\frac{5}{16}$ line

20.0210 CONNECTOR (FLARED TUBE)



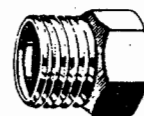
- 118748 $\frac{1}{16}$ -20, $\frac{1}{8}$ -27 w/ $\frac{1}{4}$ line
- 118749 $\frac{1}{2}$ -20, $\frac{1}{4}$ -27 w/ $\frac{5}{16}$ line
- 118750 $\frac{5}{8}$ -18, $\frac{1}{4}$ -18 w/ $\frac{3}{8}$ line
- 118751 $1\frac{1}{16}$ -16, $\frac{1}{4}$ -18 w/ $\frac{1}{16}$ line
- 118752 $\frac{3}{4}$ -16, $\frac{3}{8}$ -18 w/ $\frac{1}{2}$ line

20.0220 CONNECTOR (INVERTED FLARED TUBE)



- 137404 $\frac{1}{8}$ -27 ext., $\frac{3}{8}$ -24 int. w/ $\frac{3}{16}$ line
- 425223 $\frac{1}{4}$ -18, $1\frac{1}{16}$ -18 w/ $\frac{1}{16}$ line
- 137405 $\frac{1}{8}$ -27 ext., $\frac{1}{16}$ -24 int. w/ $\frac{1}{4}$ line
- 187321 $\frac{1}{4}$ -27 ext., $\frac{1}{16}$ -24 int. w/ $\frac{1}{4}$ line
- 137406 $\frac{1}{8}$ -27 ext., $\frac{1}{2}$ -20 int. w/ $\frac{5}{16}$ line
- 425250 $\frac{1}{4}$ -18 ext., $\frac{1}{2}$ -20 int. w/ $\frac{5}{16}$ line
- 137407 $\frac{1}{4}$ -18 ext., $\frac{3}{8}$ -18 int. w/ $\frac{3}{8}$ line
- 137408 $\frac{1}{4}$ -18 ext., $1\frac{1}{16}$ -18 int. w/ $\frac{1}{16}$ line
- 137409 $\frac{3}{8}$ -18 ext., $\frac{3}{4}$ -18 int. w/ $\frac{1}{2}$ line

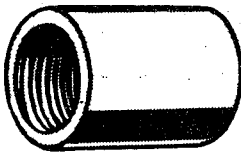
20.0230 CONNECTOR (THREADED SLEEVE)



- 152120 $\frac{1}{8}$ -27 ext., $\frac{3}{8}$ -24 int. w/ $\frac{3}{16}$ line

- 157221 1/8-27 ext., 1/16-24 int. w/1/4 line
- 137522 3/8-18 ext., 3/4-16 int. w/3/16 line
- 144408 1/2-14 ext., 1-20 int. w/3/4 line

20.0240 COUPLING (PIPE)



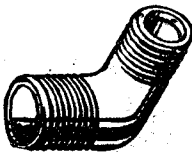
- 192086 1/8-27

20.0250 CUP (GREASE)



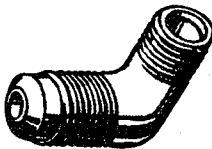
- 105046 #0 x 1/8 ext. pipe thd.
- 120246 #0 x 1/8 int. pipe thd.

20.0260 ELBOW (BALL SLEEVE)



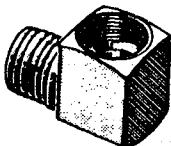
- 114797 1/8 pipe thd., 5/16 line

20.0270 ELBOW (90 DEGREE FLARED TUBE)



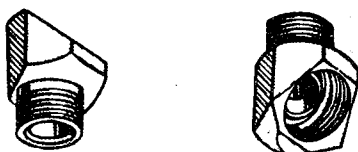
- 118753 1/8-27, 1/16-20. W/1/4 line
- 118754 1/8-27, 1/2-20. W/3/16 line
- 118755 1/4-18, 5/8-18. W/3/8 line
- 118756 1/4-18, 1 1/16-16. W/1/16 line
- 118757 3/8-18, 3/4-16. W/1/2 line
- 109429 1/2-14, 1/8-14. W/5/8 line
- 110289 1/2-14, 1 1/16-14. W/3/4 line

20.0280 ELBOW (90 DEGREE INT. PIPE THD.)



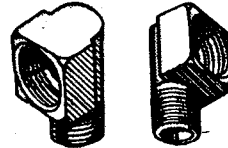
- 444476 1/8-27 (forged)
- 444480 1/4-18 (forged)
- 444486 3/4-14 (forged)

20.0290 ELBOW (45 DEGREE INV. FLARED TUBE)



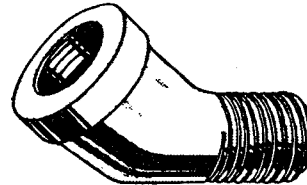
- 125859 1/8-27 ext., 1/16-24 int. w/1/4 line
- 143338 1/4-18 ext., 5/8-18 int. w/3/8 line
- 143340 3/8-18 ext., 3/8-18 int. w/1/2 line
- 445517 1/2-14 ext., 1 1/16-16 int. w/3/4 line

20.0300 ELBOW (90 DEGREE INV. FLARED TUBE)



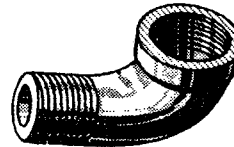
- 137420 1/8-27 ext., 3/8-24 int. w/3/16 line
- 137421 1/8-27 ext., 1/16-24 int. w/1/4 line
- 143342 1/4-18 ext., 1/16-24 int. w/1/4 line
- 137422 1/8-27 ext., 1/2-20 int. w/3/16 line
- 137423 1/4-18 ext., 5/8-18 int. w/3/8 line
- 137424 1/4-18 ext., 1 1/16-18 int. w/1/16 line
- 137425 3/8-18 ext., 3/4-18 int. w/1/2 line
- 137426 1/2-14 ext., 1/8-18 int. w/1/2 line
- 191214 1/2-14 ext., 1 1/16-16 int. w/3/4 line

20.0310 ELBOW (45 DEGREE STREET)



- 120627 1/8
- 144118 1/4
- 144119 3/8
- 144121 3/4

20.0320 ELBOW (90 DEGREE STREET)



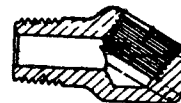
- 120401 1/8
- 120145 3/8
- 127961 1/2

20.0330 ELBOW (THREADED SLEEVE)



- 114890 1/8-27 ext., 3/8-24 int. w/3/16 line
- 169983 1/8-27 ext., 1/16-24 int. w/1/4 line
- 114886 1/4-18 ext., 3/16-20 int. w/3/8 line
- 144424 1/2-14 ext., 1-20 int. w/3/4 line

ELBOW (LUBE FITTING)



- 173437 1/8 x 20 degrees
- 173438 1/8 x 60 degrees

20.0335 FITTING (LUBRICATION)



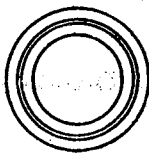
- 271440 1/8 straight. Relief type
- 191758 1/8 straight
- 271284 1/8-67-1/2 degrees
- 271285 1/8-90 degrees
- 273322 30 degrees. 1 in. long
- 271287 1/4 straight
- 273355 1/4 drive in

20.0340 FUSE



- 147684 9 amp. x 1/8 long
- 117142 10 amp. x 1 1/4 long
- 147685 14 amp. x 1 1/16 long
- 106653 20 amp. x 1 1/4 long
- 120114 30 amp. x 1 1/4 long
- 147686 30 amp. x 1 1/16 long

20.0350 GASKET (COPPER ASBESTOS)



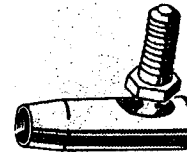
- 105450 3/16
- 114622 3/16
- 105451 3/8
- 137281 7/16
- 119937 1/2
- 105453 5/8
- 113897 3/4
- 105456 7/8
- 105455 1 1/16
- 120428 1

20.0360 GROMMET (RUBBER)



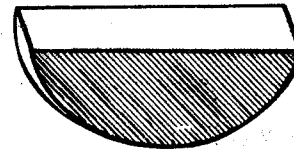
- 117957 1/4 I.D. x 1 5/32 O.D. #1
- 112734 3/8 I.D. x 1 1/16 O.D. Cut
- 117971 1/4 I.D. x 1 O.D. Cut
- 118833 5/8 I.D. x 3 1/32 O.D. #10
- 164361 3/16 I.D. x 7/16 O.D.
- 117972 3/16 I.D. x 1 O.D. Cut
- 127979 3/4 I.D. x 1 3/8 O.D. Cut
- 117959 3/16 I.D. x 2 3/32 O.D. Plain

20.0370 JOINT (BALL)



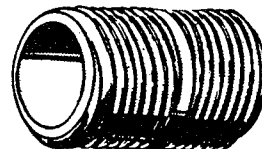
- 109413 #10-32 w/adj. end plug. No spring
- 115371 #10-32 w/adj. end plug & spring
- 109407 1/4-28 w/adj. end plug & spring
- 442715 3/16-24 w/adj. end plug & spring
- 109419 1/2-20 w/adj. end plug. No spring

20.0380 KEY (WOODRUFF)



- 190016 3/32 x 5/16. #207
- 427261 1/8 x 3/8. #213
- 103904 3/32 x 5/8.
- 110731 3/32 x 5/8
- 106749 1/8 x 1/2. #3
- 103905 1/8 x 5/8. #5
- 106750 5/32 x 5/8. #6
- 103646 1/8 x 3/4. #7
- 103906 5/32 x 3/4. #8
- 124549 3/16 x 3/4. #9
- 103907 3/16 x 1/2. #11
- 112139 1/4 x 1/2. #A
- 103462 3/16 x 1. #13
- 113782 1/4 x 1. #15
- 117977 5/16 x 1. #B
- 103909 1/4 x 1 1/8. 1035
- 124556 1/4 x 1 1/8. #18 Alloy
- 117991 5/16 x 1 1/4. #D
- 117982 3/8 x 1 1/4. #E
- 114487 3/8 x 1 3/8. #F
- 117995 3/8 x 1 3/8. #F. Alloy
- 117998 3/8 x 1 1/2. #G
- 117988 5/16 x 5/16 x 1 23/32. 1035
- 118001 5/16 x 5/16 x 1 23/32. Alloy
- 118002 3/8 x 3/8 x 1 23/32
- 442738 3/8 x 3/8 x 2 1/8

20.0390 NIPPLE (PIPE)



- 192032 1/8 x 3/4. Steel
- 142868 1/8 x 3/4. Brass
- 192466 1/8 x 1 3/4
- 192043 1/8 x 2
- 192047 1/8 x 4 3/4
- 137884 1/8 x 6 1/2
- 120286 1/4 x 1/8
- 192051 1/4 x 1
- 192469 1/4 x 1 1/8
- 144604 3/8 x 1 1/8
- 192076 1/2 x 2

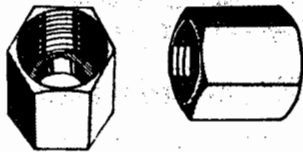
20.0395 NIPPLE (RUBBER)

- 451017 1/2-13
- 451031 3/4-16



431544 3/16 x 1

20.0400 NUT (BALL SLEEVE TUBE)



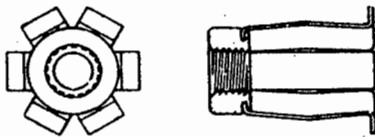
- 114627 1/4-24
- 114630 5/16-24
- 140287 3/8-24

20.0410 NUT (BARREL)



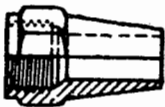
127873 #8-32 x 1/2

20.0415 NUT (CRIMP)



125990 #10-24

20.0420 NUT (FLARED TUBE)



- 116452 1/4-20 x 3/4
- 118537 1/4-20 x 15/16
- 140381 5/16-20 x 7/8
- 118538 5/16-20 x 1 1/8
- 118539 3/8-18 x 1 1/16
- 140682 7/16-16 x 1 1/16
- 120141 1/2-16 x 1 1/8
- 118541 1/2-16 x 1 5/8
- 144308 5/8-14 x 1 1/16

20.0430 NUT-HEX (LOCK) (LL TYPE)



- 451007 5/16-24
- 451011 3/8-24
- 272600 7/16-20



(TYPE HLT)

- 443533 1/4-20
- 443534 5/16-18
- 443535 3/8-16
- 442799 3/8-24
- 273140 7/16-20
- 443537 1/2-13
- 442801 1/2-20
- 451071 1/2-20
- 442802 5/16-18
- 442803 3/8-18
- 273141 3/4-16
- 273143 1-14
- 273144 1 1/8-12

20.0440 NUT-HEX (MACHINE SCREW)



- 134530 #6-32
- 120622 #8-32
- 120361 #10-24
- 120614 #10-32
- 134551 1/4-20

20.0450 NUT (INVERTED FLARED TUBE)



- 142431 3/8-24 x 1/2. 3/16 tube O.D., brass
- 142432 7/16-24 x 19/32. 1/4 tube O.D., brass
- 142433 5/8-18 x 25/32. 3/8 tube O.D., brass
- 137398 1/2-20 x 21/32. 5/16 O.D., steel
- 142434 1 1/16-18 x 7/8. 7/16 tube O.D., brass
- 142435 3/4-18 x 23/32. 1/2 tube O.D., brass

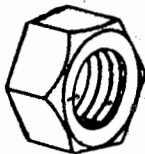
20.0460 NUT (LIGHT HEX)



- 120375 1/4-20. Steel
- 120367 1/4-28. Rd thd.
- 126183 1/4-28. L.H. thd.
- 120376 5/16-18. Steel
- 120368 5/16-24. Steel
- 115772 3/8-16. Brass
- 120377 3/8-16. Steel
- 114547 3/8-24. Brass

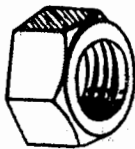
- 120369 3/8-24. Steel
- 126189 3/8-24. L.H. thd.
- 103026 3/8-24. Plain
- 115773 1/16-14. Brass
- 271501 1/16-14. Steel
- 271506 1/16-20. Steel
- 120378 1/2-13. Steel
- 114548 1/2-20. Brass
- 120371 1/2-20. Steel
- 124583 9/16-12. Steel
- 124634 9/16-18. Steel
- 124589 5/8-11. Steel
- 121358 5/8-18. Steel
- 220086 3/4-10. Steel
- 426099 3/4-16. Steel
- 126189 3/4-24. Steel
- 426767 1/8-14. Steel
- 217216 1/16-20. Steel
- 427360 1 1/4-12. Steel

20.0470 NUT (LIGHT HEX JAM)



- 124818 1/4-20
- 120613 1/4-28
- 124824 5/16-18
- 124920 5/16-24
- 124829 3/8-16
- 124925 3/8-24
- 272122 1/16-14
- 124929 1/16-20
- 120238 1/2-13
- 124934 1/2-20
- 114496 1/2 x 20. Plain
- 124939 9/16-18
- 124847 5/8-11
- 124944 5/8-18
- 219758 3/4-16
- 219759 1/8-14
- 128122 1 1/4-12

20.0480 NUT (LIGHT THICK HEX)



- 127855 1/16-20 (29/64 thick)
- 271505 1/16-20 (3/8 thick)
- 125653 1/2-20
- 143417 9/16-18
- 125629 5/8-18
- 125949 3/4-16

20.0490 NUT (ND. BRG. LOCK)



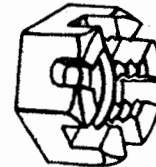
- 127705 1 9/32-32
- 127706 2 1/32-32
- 127707 2 5/32-18
- 127709 1.173-18. #N06
- 127710 1.376-18. #N-07
- 127711 1.569-18. #N-08

20.0500 NUT (SLEEVE)



- 125643 #8-32 x 1/2. Flat hd.

20.0510 NUT (SLOTTED LIGHT HEX.)



- 125215 1/4-28
- 125224 5/16-24
- 125233 3/8-24
- 272073 1/16-20
- 121592 1/2-13
- 125250 1/2-20
- 125258 9/16-18
- 125267 5/8-18
- 427640 3/4-16
- 427646 1/8-14
- 427652 1-14

20.0520 NUT (SLOTTED LIGHT THICK HEX.)



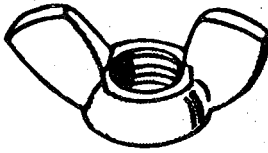
- 125339 5/16-24
- 125348 3/8-24
- 125357 1/16-20 (29/64 thick)
- 272071 1/16-20 (3/8 thick)
- 125366 1/2-20
- 125375 9/16-18
- 192100 5/8-11
- 125384 5/8-18
- 272334 3/4-16
- 272336 1/8-14
- 272338 1 1/4
- 272340 1 1/8-12
- 272346 1 1/2-12

20.0530 NUT (STAMPED)



- 107816 3/8-16
- 107823 3/8-24

20.0540 NUT (WING)



- 126177 1/4-2C
- 137156 1/2-13

20.0550 PIN (COTTER)



- 103361 1/16 x 1/2
- 103363 1/16 x 1
- 107762 3/32 x 5/8
- 103374 3/32 x 1
- 103376 3/32 x 1 1/2
- 103378 3/32 x 2
- 103385 1/8 x 1
- 103387 1/8 x 1 1/2
- 103389 1/8 x 2
- 103411 3/16 x 2
- 103426 1/4 x 3

20.0560 PIN (DOWEL)



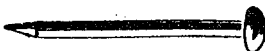
- 141113 1/8 x 3/4. Steel
- 141118 1/8 x 1 1/8. Steel
- 141329 5/32 x 1/4. Brass
- 141139 5/32 x 1 1/8. Steel
- 141346 3/16 x 1/2. Brass
- 141163 3/16 x 1 1/2. Steel
- 141195 1/4 x 5/8. Steel
- 141279 1/2 x 3/4. Steel
- 141281 1/2 x 7/8. Steel

20.0565 PIN (DRIVE)



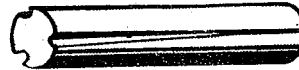
- 192463 #6 x 3/4. Rd. hd.
- 149508 .198 x 1. Rd. hd.

20.0570 PIN (ESCUTCHEON)



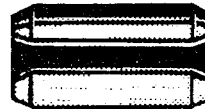
- 108666 #14 x 1/2. Brass
- 108667 #14 x 5/8. Brass

20.0580 PIN (GROOVE)



- 142485 1/8 x 5/8
- 142486 1/8 x 3/4
- 136301 5/32 x 1 1/8
- 142507 3/16 x 7/8
- 142359 3/16 x 1
- 3/16 x 1. Plain
- 142508 3/16 x 1 1/4
- 142509 3/16 x 1 1/2
- 142510 3/16 x 1 3/4
- 142523 1/4 x 2
- 142602 1/2 x 1

20.0585 PIN (SPRING)



- 456540 3/16 x 5/8
- 456657 5/16 x 1 3/16

20.0590 PIN (STRAIGHT)



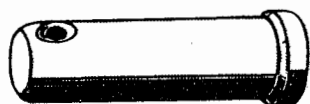
- 110740 3/32 x 1 1/16. Steel
- 103692 1/8 x 3/4. Steel
- 103693 1/8 x 7/8. Steel
- 112012 1/8 x 1. Steel
- 103707 5/32 x 3/4. Steel
- 103710 5/32 x 1 1/8. Steel
- 112044 3/16 x 3/8. Steel
- 103722 3/16 x 3/4. Steel
- 103733 1/4 x 1/4. Steel
- 103739 1/4 x 1. Steel

20.0600 PIN (TAPER)



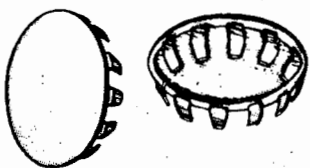
- 111843 #00 x 1 1/4
- 103573 #1 x 3/4
- 113500 #1 x 7/8
- 110770 #1 x 1 1/8
- 103577 #1 x 1 1/4
- 103578 #1 x 2
- 103623 #6 x 3/4
- 187341 #9 x 1 1/4

20.0610 PIN (YOKE)



- 138082 $\frac{3}{16}$ x $1\frac{13}{32}$
- 138083 $\frac{1}{4}$ x $2\frac{1}{4}$
- 121741 $\frac{5}{16}$ x $3\frac{1}{32}$
- 138084 $\frac{3}{8}$ x $1\frac{13}{32}$
- 138085 $\frac{7}{16}$ x $1\frac{15}{64}$
- 138086 $\frac{1}{2}$ x $1\frac{27}{64}$
- 138087 $\frac{5}{8}$ x $1\frac{23}{32}$
- 138146 $\frac{3}{4}$ x $2\frac{3}{64}$
- 192024 $\frac{7}{8}$ x $2\frac{11}{32}$

20.0615 PLUG (BUTTON)



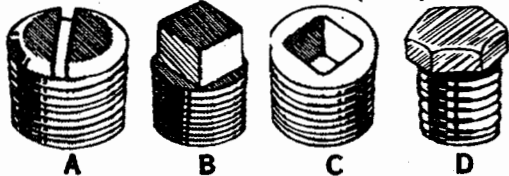
- 142024 $\frac{3}{4}$. Plain
- 142067 $1\frac{13}{32}$. Plain
- 142741 $1\frac{5}{8}$. Plain

20.0620 PLUG (EXPANSION)



- 103889 $\frac{3}{8}$
- 117917 $\frac{7}{16}$
- 103890 $\frac{1}{2}$
- 117918 $\frac{9}{16}$
- 103891 $\frac{5}{8}$
- 117612 $1\frac{11}{16}$
- 103892 $\frac{3}{4}$. Plain steel
- 143193 $\frac{3}{4}$. Stainless steel
- 105602 $1\frac{13}{16}$
- 143194 $\frac{7}{8}$
- 117919 $1\frac{15}{16}$
- 143195 1
- 143192 $1\frac{1}{8}$
- 103895 $1\frac{1}{4}$
- 117923 $1\frac{3}{8}$
- 105603 $1\frac{7}{16}$
- 103896 $1\frac{1}{2}$
- 143191 $1\frac{3}{4}$
- 103899 $2\frac{1}{2}$
- 131296 3

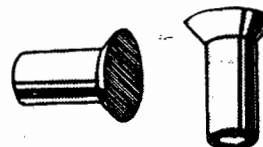
20.0630 PLUG (PIPE)



- 118831 $\frac{1}{8}$ -27, Brass. A
- 113935 $\frac{1}{4}$ -18, Brass. A
- 117244 $\frac{1}{4}$ -18, Steel. B
- 147863 $\frac{3}{8}$ -18, Brass. C
- 143993 $\frac{3}{8}$ -18, Steel. A
- 143980 $\frac{3}{8}$ -18, Steel. B

- 444789 $\frac{1}{2}$ -14, Iron. C
- 143935 $\frac{1}{2}$ -14, Iron. B
- 143968 $\frac{3}{4}$ -14, Iron. C
- 143969 1-11- $\frac{1}{2}$, Iron. C
- 143954 1- $\frac{1}{4}$ -11- $\frac{1}{2}$, Iron. C
- 143938 1- $\frac{1}{4}$ -11- $\frac{1}{2}$, Iron. B
- 219310 2, Iron. B

20.0640 RIVET (CTSK. HD. TUBULAR)



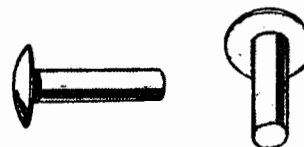
- 106731 $\frac{9}{64}$ x $\frac{7}{16}$. Brass

20.0645 RIVET (FLAT HD. SOLID)



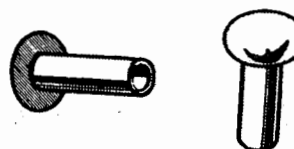
- 104236 $\frac{3}{16}$ x $\frac{5}{8}$
- 104249 $\frac{1}{4}$ x $\frac{1}{2}$

20.0650 RIVET (MUSHROOM HD.)



- | Plain | Anodized | |
|---------|----------|---|
| 453768 | 455650 | $\frac{3}{16}$ x $\frac{3}{8}$. Aluminum |
| 453948 | 455651 | $\frac{3}{16}$ x $\frac{7}{16}$. Aluminum |
| 453950 | 455653 | $\frac{3}{16}$ x $\frac{9}{16}$. Aluminum |
| | 455654 | $\frac{3}{16}$ x $\frac{5}{8}$ |
| | 455655 | $\frac{3}{16}$ x $1\frac{1}{16}$ |
| | 455656 | $\frac{3}{16}$ x $\frac{3}{4}$ |
| | 455657 | $\frac{3}{16}$ x $1\frac{3}{16}$ |
| 9402637 | | $\frac{3}{16}$ x 1. Aluminum |
| 453772 | 455151 | $\frac{1}{4}$ x $\frac{1}{2}$. Aluminum |
| | 455159 | $\frac{1}{4}$ x $\frac{9}{16}$ |
| 453773 | | $\frac{1}{4}$ x $\frac{5}{8}$. Aluminum |
| 453954 | 455662 | $\frac{1}{4}$ x $1\frac{11}{16}$. Aluminum |
| | 455663 | $\frac{1}{4}$ x $\frac{3}{4}$ |
| | 455664 | $\frac{1}{4}$ x $1\frac{3}{16}$ |
| | 455665 | $\frac{1}{4}$ x $\frac{7}{8}$ |
| | 455667 | $\frac{1}{4}$ x 1 |
| 9402660 | | $\frac{3}{8}$ x $1\frac{13}{16}$. Aluminum |
| 178419 | | $\frac{1}{2}$ x $1\frac{1}{4}$. Aluminum |

20.0660 RIVET (OVAL HD. TUBULAR)



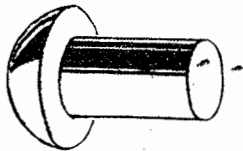
- 109452 $\frac{3}{16}$ x $\frac{1}{4}$. St.-black
- 113354 $\frac{3}{16}$ x $\frac{1}{4}$. St.-Plain
- 113765 $\frac{3}{16}$ x $\frac{5}{16}$. St.-Plain
- 441310 $\frac{3}{16}$ x $\frac{5}{16}$. St.-plain
- 135805 $\frac{3}{16}$ x $\frac{9}{16}$. St.-plain
- 177968 $\frac{1}{4}$ x $1\frac{1}{4}$. St.-plain

20.0670 RIVET (RD. HD. POINTED SOLID)



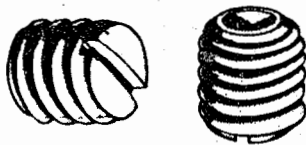
- 446590 1/4 x 1 3/4. Steel
- 443656 5/16 x 7/8. Steel
- 442660 3/8 x 1 1/8. Steel
- 442661 3/8 x 1 3/8. Steel
- 443663 3/8 x 1 1/4. Steel
- 189475 7/16 x 1. Steel
- 189482 7/16 x 1 1/8. Steel
- 189483 7/16 x 1 1/4. Steel
- 189493 7/16 x 1 1/2. Steel
- 189496 7/16 x 1 3/4. Steel
- 189510 1/2 x 1 1/2. Steel
- 189512 1/2 x 1 3/4. Steel
- 189514 1/2 x 2. Steel

20.0680 RIVET (RD. HD. SOLID)



- 104055 1/8 x 3/4. Steel
- 110803 5/32 x 1 3/4. Steel
- 104069 3/16 x 3/4. Steel
- 104089 1/4 x 1 1/2. Steel
- 104120 3/8 x 2. Steel

20.0690 SCREW—SET (HEADLESS SLOTTED)



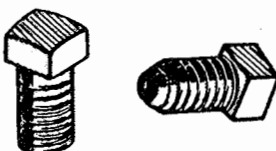
- 141036 1/2-13 x 1. Dog pt.
- 127821 1/4-20 x 3/8
- 178807 5/8-11 x 1 1/8

20.0700 SCREW—SET (HEX. SOCKET)



- 125735 1/4-20 x 3/8. Cup pt.
- 192451 1/4-20 x 3/8. Oval pt.
- 139707 1/4-20 x 5/8. Dog pt.
- 139709 1/4-20 x 7/8. Dog pt.

20.0710 SCREW—SET (SQUARE HD.)



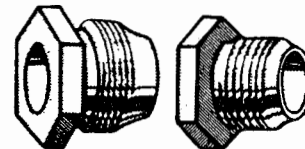
- 102873 1/4-20 x 3/8
- 179112 3/8-16 x 1
- 179113 3/8-16 x 1 1/2
- 127897 3/8-16 x 2 1/4
- 182930 7/16-14 x 1 3/4
- 191968 1/2-13 x 1 1/2
- 182931 1/2-13 x 1 3/4
- 112983 5/8-11 x 1 3/4
- 435138 5/8-18 x 1 1/2
- 443621 9/16-12 x 2

20.0720 SLEEVE—BALL



- 121322 1/8
- 120488 3/16
- 114628 1/4
- 114631 5/16
- 114624 3/8
- 120430 7/16
- 120130 1/2
- 125654 3/4

20.0730 SLEEVE (THREADED)



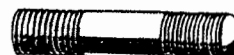
- 121534 1/8
- 114962 3/16
- 114963 1/4
- 114964 5/16
- 114965 3/8
- 120243 1/2-16 x 25/32
- 137523 3/16-16 x 25/32
- 144413 3/4-20 x 15/16

20.0735 SPRING (RETAINER)



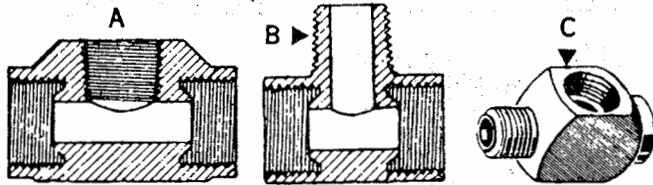
- 148150 3/8
- 148147 3/16
- 142583 13/64
- 148148 1/4
- 148151 7/16
- 148156 3/4
- 128005 13/64

20.0737 STUD



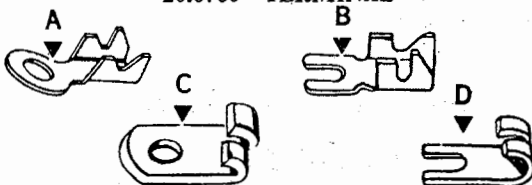
- 456943 3/8 x 3 3/16
- 109426 7/16 x 1 13/16

20.0740 TEE (INVERTED FLARED TUBE)



- 444146 1/8-27 tap pipe. Extruded type. C
- 143482 1/8-27 ext., 1/16-24 int. w/1/4 line B
- 444148 1/4-18 tap pipe. Extruded type. C
- 444261 1/2-14 tap pipe. Cast type. B
- 143486 3/8-18 ext., 3/4-18 int. w/1/2 line B
- 178669 3/4-18 int., w/1/2 line A
- 178685 1/8-27 ext., 1/16-24 int. w/1/4 line C
- 178690 1/4-18 ext., 5/8-18 int. w/3/8 line C
- 443739 1/2-14 ext., 1 1/16-16 int. w/3/4 line B

20.0760 TERMINAL



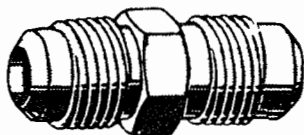
- 200003 Type A. #8 screw. #14-16 wire. 1 3/16 long
- 200009 Type A. #10 screw. #10-12 wire. 1 3/16 long
- 200010 Type A. #12 screw. #10-12 wire. 7/8 long
- 200013 Type A. 1/4 screw. #10-12 wire. 7/8 long
- 200085 Type B. #10 screw. #10-12 wire. 1 3/16 lg.
- 200078 Type B. #10 screw. #14-16 wire. 1 3/16 lg.
- 200347 Type C. #10 screw. #14-16 wire. 2 3/32 lg.
- 200197 Type C. 1/4 screw. #6-8 wire. 1 5/16 lg.
- 200198 Type C. 5/16 screw. #6-8 wire. 3/8 long
- 200019 Type A. 3/8 screw. #10-12 wire. 1 3/8 long
- 200134 Type D. #10 screw. #14-16 wire. 1 1/32 lg.
- 200374 Type A. 1/2 screw. 1 wire
- 200293 Type K. 3/8 screw. #6-8 wire. 1 17/32 lg.

20.0770 UNION (BALL SLEEVE TUBE)



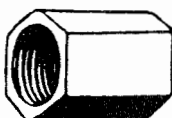
- 115056 1/4-24 x 1 3/16
- 115058 5/16-24 x 1 7/8

20.0780 UNION (FLARED TUBE)



- 118800 1/16-20 x 1 3/16, w/1/4 line
- 118801 1/2-20 x 1 11/32, w/5/16 line
- 118802 5/8-18 x 1 1/2, w/3/8 line

20.0790 UNION (INVERTED FLARED TUBE)



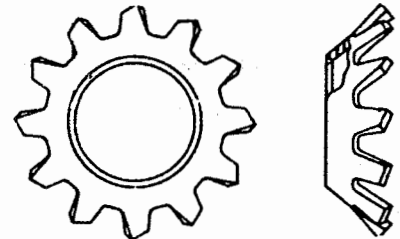
- 137413 1/16-24 x 5/8, w/1/4 line
- 137414 1/2-20 x 1 5/16, w/5/16 line
- 137415 5/8-18 x 1 1/4, w/3/8 line

20.0795 WASHER—FLAT



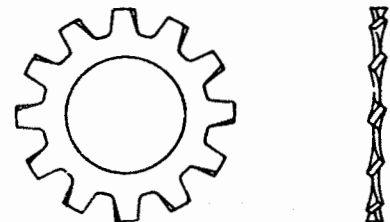
- 446470 3/8 I.D. x 1 1/8 O.D.
- 131015 3/16 I.D. x 7/16 O.D.
- 120391 1/32 I.D. x 1/2 O.D.
- 120392 9/32 I.D. x 5/8 O.D.
- 120386 5/16 I.D. x 3/4 O.D.
- 120393 11/32 I.D. x 1 1/16 O.D. Steel
- 446363 3/8 I.D. x 7/8 O.D.
- 120394 13/32 I.D. x 1 3/16 O.D. Steel
- 116103 13/32 I.D. x 1 3/16 O.D. Copper
- 120388 7/16 I.D. x 1 O.D.
- 120395 15/32 I.D. x 5/8 O.D. Steel
- 137281 15/32 I.D. x 3/4 O.D. Copper
- 120396 17/32 I.D. x 1 1/16 O.D.
- 120390 3/16 I.D. x 1 3/8 O.D.
- 121458 19/32 I.D. x 1 3/16 O.D.
- 131016 21/32 I.D. x 1 5/16 O.D.
- 131017 13/16 I.D. x 1 1/2 O.D.
- 131018 15/16 I.D. x 1 3/4 O.D.
- 131019 1 1/16 I.D. x 2 O.D.

20.0800 WASHER—LOCK (COUNTERSUNK TOOTH)



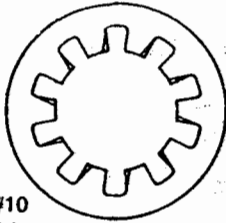
- 138597 #10
- 134512 5/16
- 127683 11/16
- 127682 19/32
- 127684 51/64
- 127685 53/64
- 127686 1.199 I.D. x 1 59/64 O.D.
- 127688 1.625 I.D. x 2 15/32 O.D.

20.0810 WASHER—LOCK (EXTERNAL TOOTH)



- 138479 #10
- 121753 1/4
- 114604 1/4. Plain
- 138485 5/16
- 138489 3/8
- 136857 7/16
- 138502 5/8
- 127687 1 13/32 I.D. x 2 1/4 O.D.

20.0815 WASHER—LOCK (INTERNAL TOOTH)



- 121801 #10
- 120423 1/4
- 138538 5/16
- 115548 5/16. Plain
- 138542 3/8
- 131718 1/16
- 138549 1/2
- 138553 9/16
- 138557 5/8
- 141707 1 1/16
- 138561 3/4

- 108579 5/16. Heavy. Plain
- 120382 3/8. Medium
- 103321 3/8. Medium. Plain
- 131099 3/8. Heavy
- 120383 1/16. Medium
- 131100 1/16. Heavy
- 120384 1/2. Medium
- 131101 1/2. Heavy
- 120898 5/16. Medium
- 131139 5/16. Heavy
- 121574 5/8. Medium
- 131140 5/8. Heavy
- 131141 1 1/16
- 131046 3/4
- 131047 1/8
- 131048 1. Medium
- 131144 1. Heavy
- 131146 1 1/4. Heavy

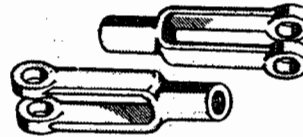
20.0820 WASHER—LOCK (SPRING)



- 131044 #6
- 121841 #8
- 120217 #10
- 121744 #12
- 120380 1/4
- 103319 1/4. Medium. Plain
- 120638 5/16

- 110322 #10-32 x 1 9/16
- 116383 1/4-28 x 2
- 174887 5/16-24 x 1 15/16
- 144242 5/16-24 x 2 1/4
- 144243 3/8-24 x 2 1/2
- 144244 1/16-20 x 2 7/8
- 186596 1/2 L.H. thd.
- 144245 1/2-20 x 3
- 144251 3/4-16 x 6 1/16
- 144252 1/8-14 x 7 1/8

20.0830 YOKE (ADJUSTABLE)



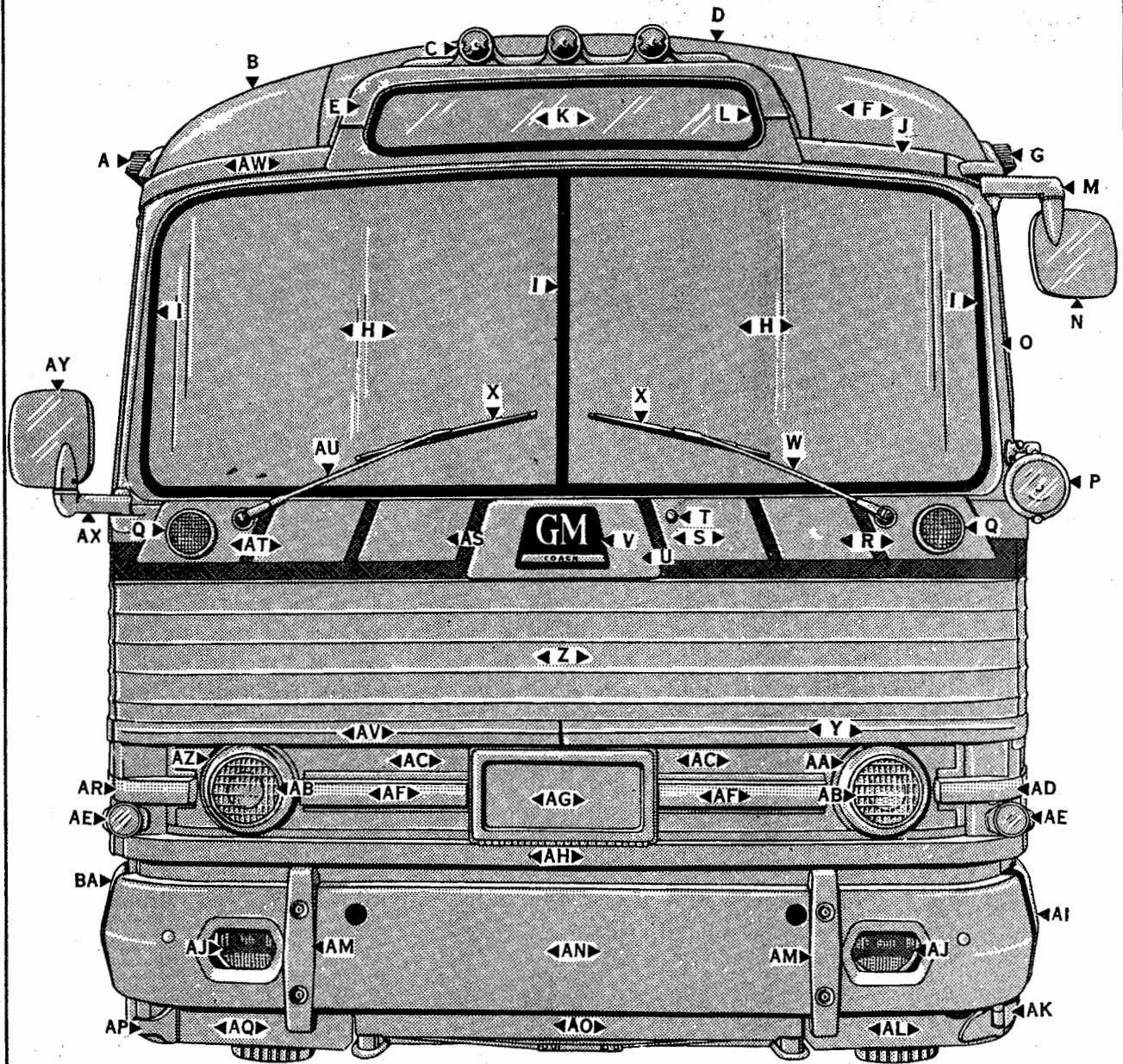
TOOLS

22.0060	1	2321122	HANDLE-lifting jack. Repl. 2322245
22.0070	1	2146130	HANDLE-wheel, nut wrench
22.0080	1	2233039	JACK-lifting - 8 ton
22.0170	1	2075616	WRENCH-wheel nut

IMPORTANT: Refer to your Final Vehicle Record for Assemblies and Special Equipment (SL's) used on each vehicle.

It is important to always specify serial number of vehicle when ordering or writing about parts.

BODY



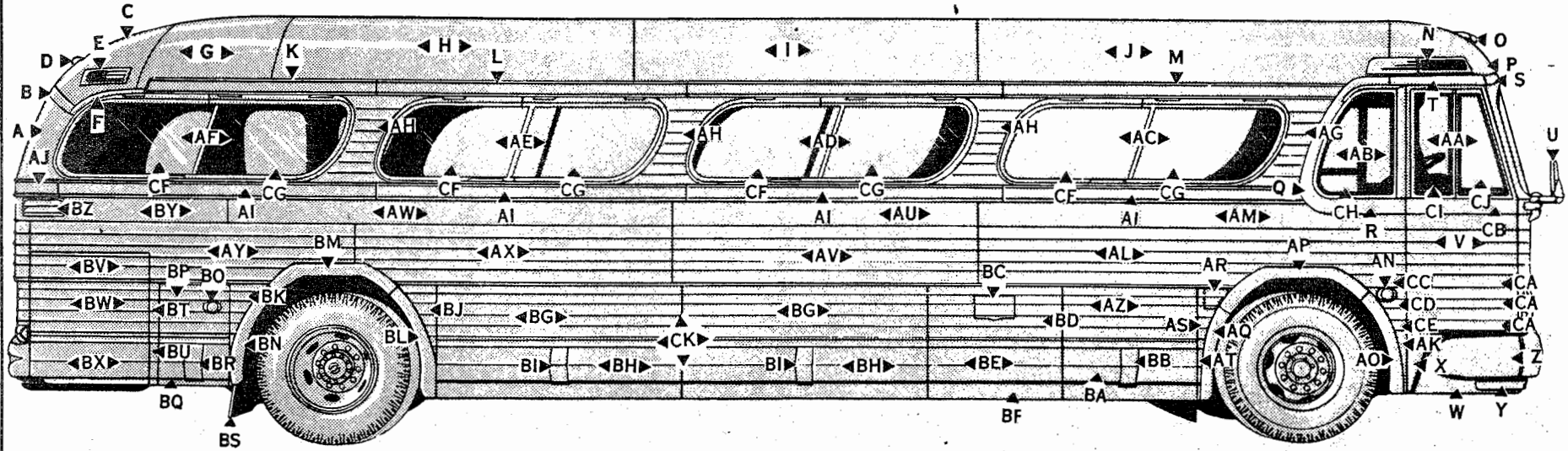
3-051

FRONT BODY PANELS

KEY TO FRONT BODY PANELS

Key	Description	Group No.
A	Lens (R. H. side, Amber)	7.1210
B	Panel (R. H. front lower)	25.3225
C	Lamp Assy. (Michigan Marker)	7.1120
D	Panel (Front center)	25.3225
E	Plate	25.3235
F	Panel (L. H. front corner)	25.3225
G	Lens (L. H. side, Amber)	7.1210
H	Glass	25.5445
I	Channel	25.5435
J	Moulding (L. H. front - above W/S)	25.3265
K	Glass	25.3435
L	Retainer	25.3460
M	Arm Assy. (L. H. Incl. bracket)	25.8970
N	Mirror Assy. (L. H.)	25.8965
O	Panel (W/S)	25.0165
P	Lamp Assy. (Spot)	7.1680
Q	Lamp Assy.	7.1800
R	Support (L. H.)	25.8755
S	Plate (L. H. Inter.)	25.0175
T	Rod Assy. (Door release)	25.5235
U	Plate (Base)	25.0170
V	Plate (Name)	25.0170
W	Arm Assy. (L. H.)	25.8645
X	Blade Assy.	25.8650
Y	Moulding (L. H. front-above headlamp)	25.0125
Z	Panel (Center, fluted)	25.0075
AA	Support Assy. (L. H.)	7.0370
AB	Sealed Beam Assy.	7.0250
AC	Panel (Lower)	25.0075
AD	Rail (L. H. outer, upper)	25.0183
AE	Reflector Assy. (Amber)	25.9045
AF	Rail (Upper, inner)	25.0183
AG	Door Assy.	25.0520
AH	Rail (Lower)	25.0183
AI	Extension (L. H.)	11.0467
AJ	Lamp Assy. (Fog)	7.1450
AK	Hinge Assy. (Lower L. H., body half)	25.2387
AL	Panel (L. H., at fog lamp)	25.0075
AM	Guard	11.0480
AN	Bar (Face, front bumper)	11.0360
AO	Panel	25.0850
AP	Hinge Assy. (Lower, body half)	25.4665
AQ	Panel (R. H., at fog lamp)	25.0075
AR	Rail (R. H. upper, outer)	25.0183
AS	Plate (R. H. intermediate)	25.0175
AT	Support (R. H.)	25.8755
AU	Arm Assy. (R. H.)	25.8645
AV	Moulding (R. H. front-above headlamp)	25.0125
AW	Moulding (R. H. front-above W/S)	25.3265
AX	Arm Assy. (R. H. Incl. bracket)	25.8970
AY	Mirror Assy. (R. H.)	25.8965
AZ	Support (R. H.)	7.0370
BA	Extension (R. H.)	11.0467

210



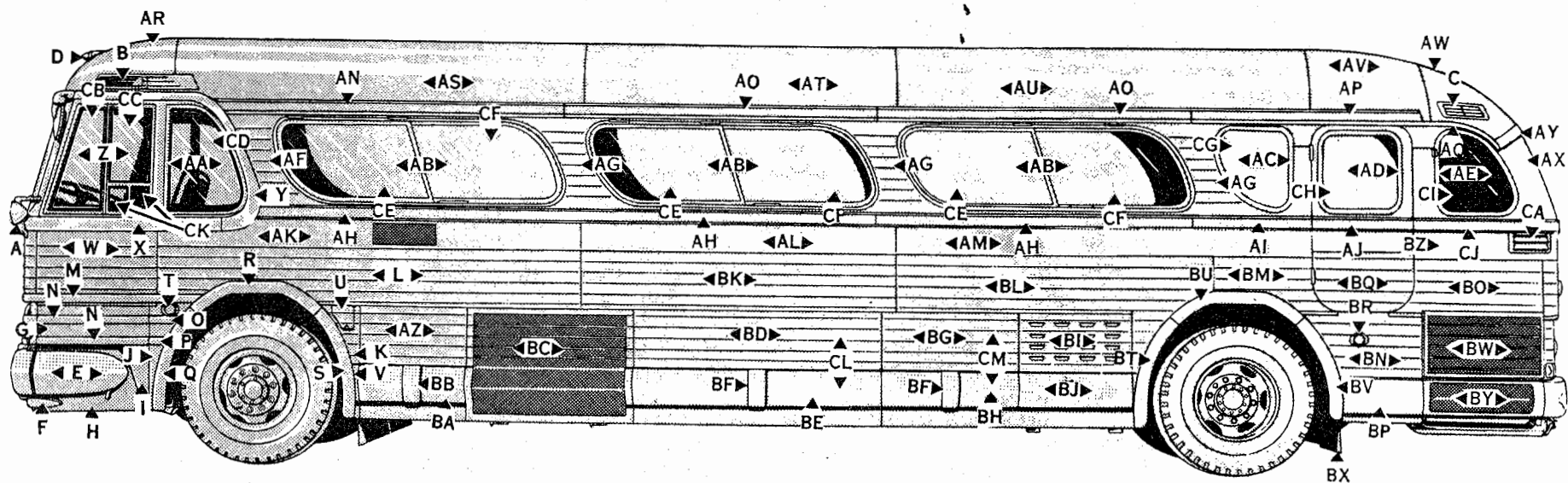
BODY

3-0053

R-H. OUTSIDE VIEW

KEY TO R.H. OUTSIDE VIEW

Key	Description	Group No.	Key	Description	Group No.	Key	Description	Group No.
A	Panel(RH rear corner lower)	25.3225	AJ	Moulding(Rear lower-under window)	25.1090	BK	Panel(RH lower-rear of rear W/H)	25.2165
B	Moulding(trim-rear upper)	25.1090	AK	Panel(RH lower-frt of frt W/H)	25.2165	BL	Fender(Rear RH frt.)	25.2305
C	Panel(RH rear corner upper)	25.3225	AL	Panel(#1 RH frt-fluted)	25.2165	BM	Fender(Rear-RH upper)	25.2305
D	Lamp(Michigan marker)	7.1120	AM	Panel(#1 RH frt. -plain)	25.2165	BN	Fender(Rear-RH rear)	25.2305
E	Lens(Red-RH rear side marker lamp)	7.1210	AN	Reflector (Amber)	25.9045	BO	Reflector (Red)	25.9045
F	Moulding(Drip-over RH rear side window)	25.3265	AO	Fender(Front-RH frt.)	25.2305	BP	Panel(Electrical compt. door-upper)	25.3124
G	Panel(#4 RH crown)	25.3225	AP	Fender(Front-RH upper)	25.2305	BQ	Panel(Electrical compt. door-lower)	25.3124
H	Panel(#3 RH crown)	25.3225	AQ	Fender(Front-RH rear)	25.2305	BR	Cover(Door lock handle)	25.3110
I	Panel(#2 RH crown)	25.3225	AR	Door(Filler-A. C. fuel tank)	25.2470	BS	Apron	25.2315
J	Panel(#1 RH crown)	25.3225	AS	Panel(RH lower-rear of frt. W/H)	25.2165	BT	Panel(RH upper-rear of elec. compt.)	25.2165
K	Moulding(RH rear-upper)	25.7750	AT	Bracket(RH rear of frt.W/H)	25.2317	BU	Panel(RH lower-rear of elect. compt.)	25.2165
L	Moulding(RH inter-upper)	25.7750	AU	Panel(#2 RH center-plain)	25.2165	BV	Panel(Outer-RH side closure door-upper)	25.1535
M	Moulding(RH frt. -upper)	25.7750	AV	Panel(#2 RH center-fluted)	25.2165	BW	Panel(Outer-RH side closure door-lower)	25.1535
N	Lens(Amber-RH frt. side marker lamp)	7.1210	AW	Panel(#3 RH rear center-plain)	25.2165	BX	Extension(RH rear)	11.0467
O	Lamp(Michigan marker)	7.1120	AX	Panel(#2 RH rear center-fluted)	25.2165	BY	Plate(RH mtr. supt beam)	8.0190
P	Panel(LH front corner crown)	25.3225	AY	Panel(RH - over rear W/H)	25.2165	BZ	Louver(RH rear engine air intake)	12.7500
Q	Moulding(#1 RH side window)	25.5657	AZ	Panel(Outer, RH frt. compt. door-upper)	25.3124	CA	Moulding(Trim-inter)	25.4670
R	Moulding(#1 RH side window lower)	25.5657	BA	Panel(Outer, RH frt. compt. door-lower)	25.3124	CB	Moulding-trim, lower (Under window)	25.4670
S	Moulding(Drip-RH frt.)	25.3265	BB	Cover(Door lock handle)	25.3110	CC	Moulding-trim, RH upper (Frt. of frt. W/H)	25.2200
T	Moulding(Drip RH frt. side)	25.3265	BC	Door(Filler--fuel tank-diesel)	25.2470	CD	Moulding-trim, RH inter (Front of frt. W/H)	25.2200
U	Mirror (RH)	25.8965	BD	Door(Fuel tank compt. -diesel)	25.3100	CE	Moulding-trim, RH lower (Frt. of frt. W/H)	25.2200
V	Panel(Outer-fluted)	25.4695	BE	Panel(Outer, fuel tank compt. door-upper)	25.3124	CF	Glass-sash (O. M. Edwards #G-1042)	G-1041
W	Panel(Trim-outer inter)	25.4695	BF	Panel(Outer, fuel tank compt. door-lower)	25.3124	CG	Glass-sash (O. M. Edwards)	G-1046
X	Panel(Trim-outer lower)	25.4695	BG	Panel(Outer, RH side baggage door-upper)	25.2890	CH	Glass-sash(O. M. Edwards)	G-1051
Y	Hinge(Lower-door half)	25.4665	BH	Panel(Outer, baggage door lower)	25.2890	CJ	Glass-sash(O. M. Edwards)	25.4650
Z	Extension(RH frt. bumper)	11.0467	BI	Cover(Door lock handle)	25.2837	CK	Door-baggage compt. (lg.)	25.2740
AA	Sash(Front door)	25.4770	BJ	Panel(RH lower-front of rear W/H)	25.2165			
AB	Sash(#1 RH)	25.5615						
AC	Sash(#2 RH)	25.5615						
AD	Sash(#3 RH)	25.5615						
AE	Sash(#4 RH)							
AG	Panel(Between windows frt. windows)	25.7750						
AH	Panel(Between #2-3-4-5 windows)	25.7750						
AI	Moulding(Under windows)	25.2200						



BODY

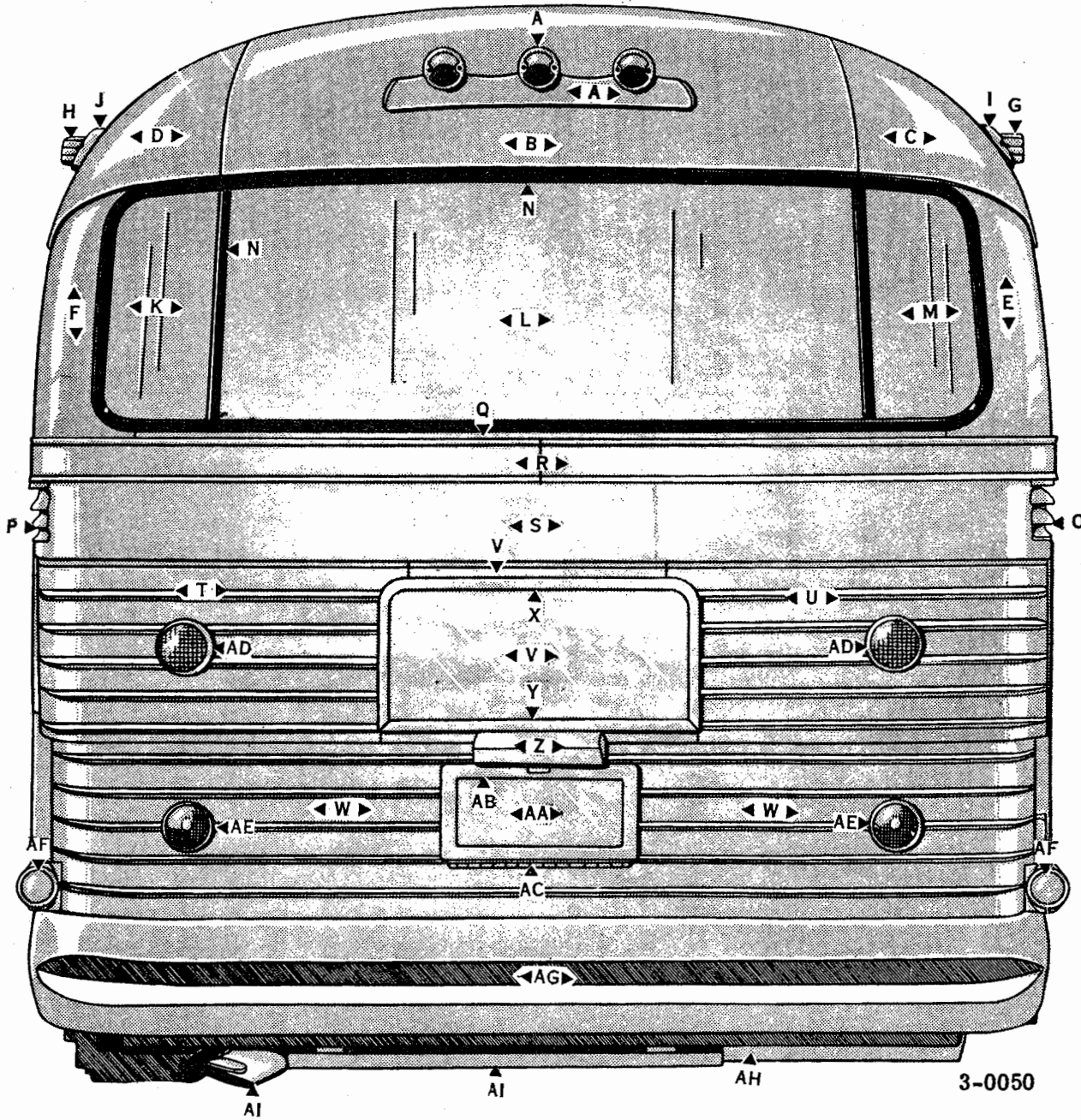
3-0052

L.H. OUTSIDE VIEW

KEY TO L.H. OUTSIDE VIEW

Key	Description	Group No.	Key	Description	Group No.	Key	Description	Group No.
A	Lamp(Spot)	7.1680	AF	Mldg.(Frt. -between wind.)	25.7750	BK	Panel(#2 LH-fluted)	25.2165
B	Lens(Amber-LH frt.)		AG	Moulding(Between #2-3-4		BL	Panel(#3 LH-fluted)	25.2165
	Side marker lamp	7.1210		windows)	25.7750	BM	Panel(Over rear W/H	
C	Lens(Red-LH rear side		AH	Mldg(Under #2-3-4 windows)	25.2200		fluted)	25.2165
	marker lamp)	7.1210	AI	Mldg(Under #5-6 windows)	25.2210	BN	Panel(Below safety	
D	Lamp(Michigan marker)	7.1120	AJ	Mldg(Under safety door wind.)	25.4935		door-fluted)	25.2165
E	Extension(LH frt. bumper)	11.0467	AK	Panel(#1 LH frt. -plain)	25.2165	BO	Panel(LH rear-fluted)	25.2165
F	Hinge(Lower LH door half)	25.2387	AL	Panel(#2 LH center-plain)	25.2165	BP	Rail(Rub. rear of LH	
G	Panel(LH upper)	25.2415	AM	Panel(#3 LH rear center-plain)	25.2165		W/H)	25.2290
H	Panel(LH lower)	25.2415	AN	Mldg(LH front-upper)	25.7750	BQ	Panel(Outer-safety door)	25.4945
I	Panel(LH trim)	25.2415	AO	Mldg(LH inter-upper)	25.7750	BR	Reflector(Red)	25.9045
J	Panel(LH lower-frt. of		AP	Mldg(LH rear upper)	25.7750	BS	Bracket(LH-frt. of rear	
	frt. W/H)	25.2165	AQ	Mldg(Drip-over LH rear side			W/H)	25.2317
K	Panel(LH lower-rear of			window)	25.3265	BT	Fender(Rear-LH frt.)	25.2305
	frt. W/H)	25.2165	AR	Panel(Frt. LH corner crown)	25.3225	BU	Fender(Rear-LH upper)	25.2305
L	Panel(LH-#1-fluted)	25.2165	AS	Panel(#1 LH crown)	25.3225	BV	Fender(Rear-LH lower)	25.2305
M	Moulding(LH upper-frt.		AT	Panel(#2 LH crown)	25.3225	BW	Door(Closure-LH side	
	of frt. W/H)	25.2200	AU	Panel(#3 LH crown)	25.3225		on radiator)	25.1465
N	Moulding(LH frt. compt.		AV	Panel(#4 LH crown)	25.3225	BX	Apron	25.2315
	door)	25.2200	AW	Panel(LH rear corner-upper)	25.3225	BY	Grille(Extension-rear	
O	Moulding(LH inter-frt. of		AX	Panel(LH rear corner-lower)	25.3225		bumper)	11.0469
	frt. W/H)	25.2200	AY	Mldg(Trim-rear upper)	25.1090	BZ	Plate(LH motor compt.	
P	Moulding(LH lower-front		AZ	Panel(Outer-LH frt. compt.			beam)	8.0190
	of front W/H)	25.2200		door-upper)	25.3124	CA	Door(Radiator filler)	25.2530
Q	Fender(Frt.-LH front)	25.2305	BA	Panel(Outer-LH frt. compt.		CB	Glass-sash(O. M. Edwards,	
R	Fender(Frt.-LH upper)	25.2305		door-lower)	25.3124		G-1047)	25.5510
S	Fender(Frt.-LH rear)	25.2305	BB	Cover(Door lock handle)	25.3110	CC	Glass-sash(O. M. Edwards, G-1048)	
T	Reflector(Amber)	25.9045	BC	Door (Condenser-air cond.)	SL-	CD	Glass-sash(O. M. Edwards, G-1046)	
U	Door(Filler-A. C. rad)	25.2530	BD	Panel(Outer-LH side bagg.		CE	Glass-sash(O. M. Edwards, G-1041)	
V	Bracket(LH-rear of frt.W/H)	25.2317		compt. lg. door-upper)	25.2890	CF	Glass-sash(O. M. Edwards, G-1042)	
W	Panel(Under driver's		BE	Panel(Outer LH side bagg.		CG	Glass-sash(O. M. Edwards, G-1044)	
	window)	25.2165		compt. lg. door-lower)	25.2890	CH	Glass-sash(O. M. Edwards, G-1043)	
X	Moulding(LH lower-driver's		BF	Cover(Door lock handle)	25.2837	CI	Glass-sash(O. M. Edwards, G-1045)	
	window)	25.5515	BG	Panel(Outer-LH side bagg.		CJ	Mldg-trim, rear upper	25.1090
Y	Moulding(#1 side wind.)	25.5657		compt. sml. door-upper)	25.2890	CK	Glass-sash(O. M. Edwards, G-1049)	
Z	Sash(Driver's)	25.5465	BH	Panel(Outer-LH side baggage		CL	Door-baggage compt(lg)	25.2740
AA	Sash(#1 LH)	25.5615		compt. sml. door-lower)	25.2890	CM	Door-baggage compt.	
AB	Sash(#2-3-4 LH)	25.5615	BI	Panel(Outer-battery door-			(Small)	25.2740
AC	Sash(#5 LH)	25.5615		upper)	25.2704			
AD	Sash(Safety door)	25.5615	BJ	Panel(Outer-battery door-				
AE	Sash(#6 LH)	25.5615		lower)	25.2704			

BODY

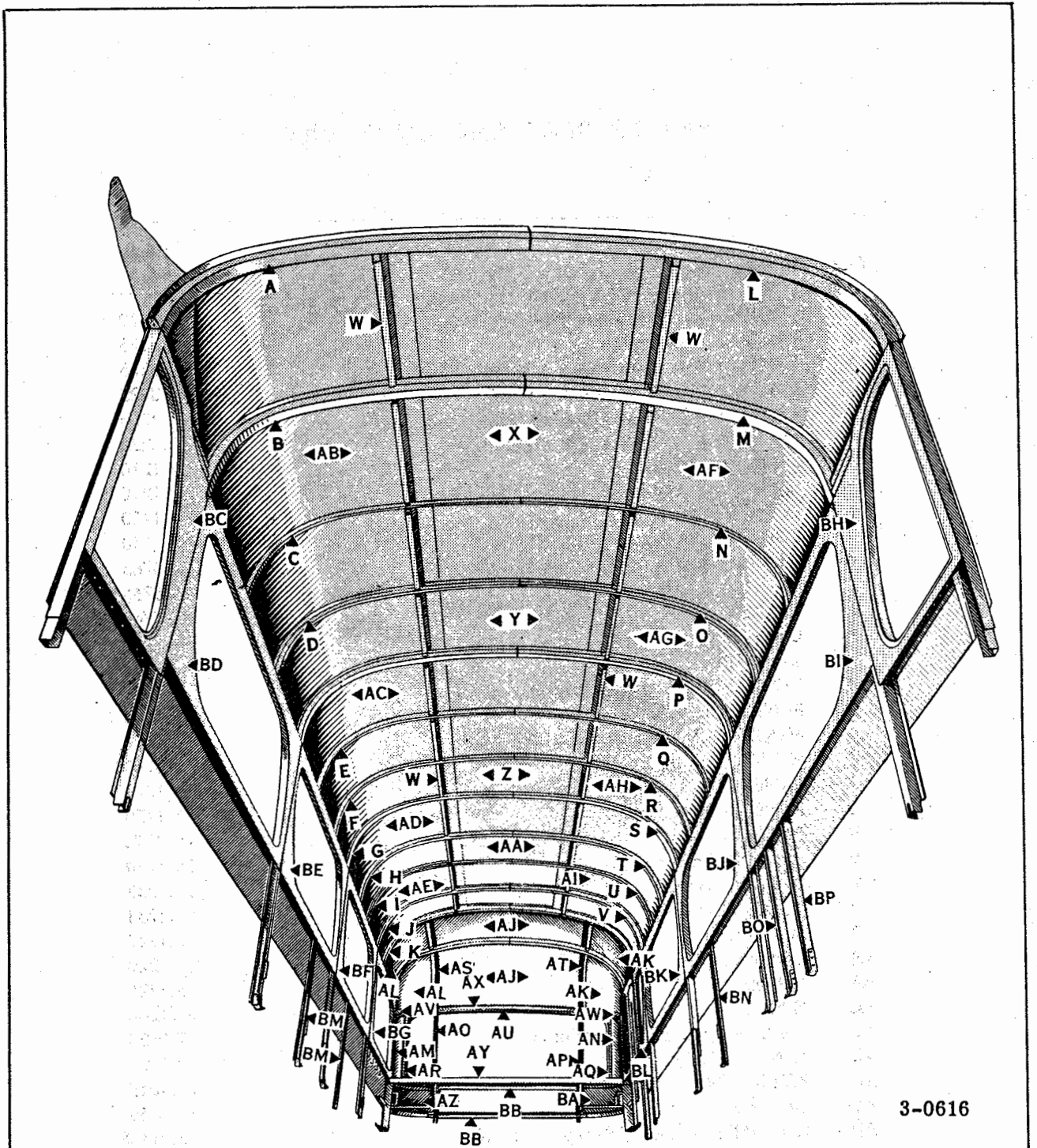


REAR END BODY VIEW

KEY TO REAR END BODY VIEW

Key	Description	Group No.
A	LAMP - Rear (Michigan Marker)	7.1120
B	PANEL - Rear Outer	25.3225
C	PANEL - R.H. Rear Upper Corner	25.3225
D	PANEL - L.H. Rear Upper Corner	25.3225
E	PANEL - R.H. Rear Lower Corner	25.3225
F	PANEL - L.H. Rear Lower Corner	25.3225
G	LENS - R.H. Rear	7.1210
H	LENS - L.H. Rear	7.1210
I	BODY - R.H. Rear	7.1150
J	BODY - L.H. Rear	7.1150
K	GLASS - L.H.	25.5765
L	GLASS - Center	25.5765
M	GLASS - R.H.	25.5765
N	CHANNEL	25.5755
O	LOUVER	12.7500
P	DOOR - Filler (Above radiator door)	25.2530
Q	PANEL - Lower	25.5770
R	MOULDING - (Under Rear Window)	25.1090
S	PLATE - Center	8.0190B
T	PANEL - L.H. Upper	25.1770
U	PANEL - R.H. Upper	25.1770
V	PANEL	25.1773
W	PANEL - Lower	25.1770
X	FRAME - Upper	25.1733
Y	FRAME - Lower	25.1733
Z	BODY	7.1722
AA	DOOR	25.1220
AB	FRAME	25.1225
AC	HINGE	25.1240
AD	LAMP - (Stop and directional)	7.0620
AE	LAMP - (Tail)	7.0620
AF	REFLECTOR	25.9045
AG	BAR (Fare)	11.0360
AH	CHANNEL - Rear (78-1/8 in. long)	8.0140B
AI	PIPE (Tail)	12.6800
AJ	SHIELD - Dust, Center	25.1320

BODY

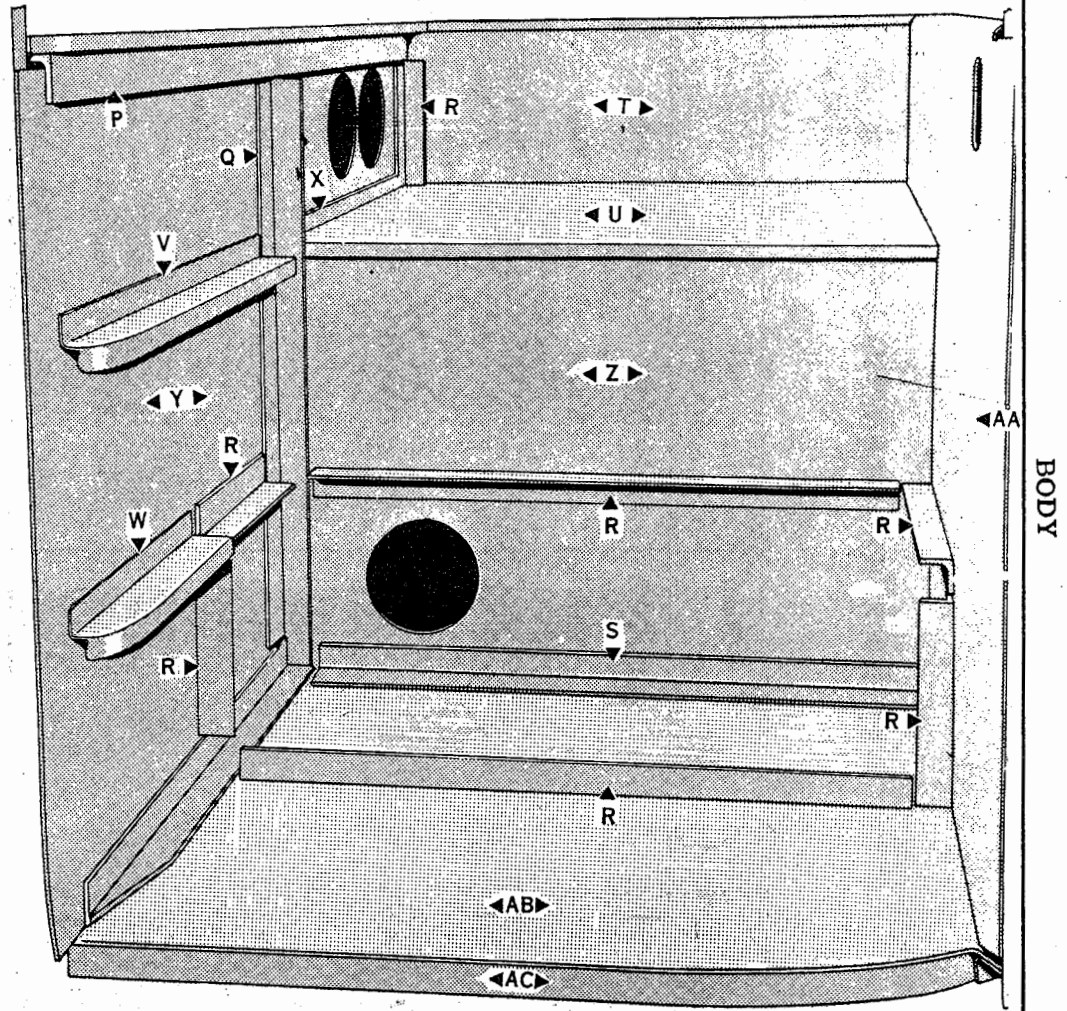
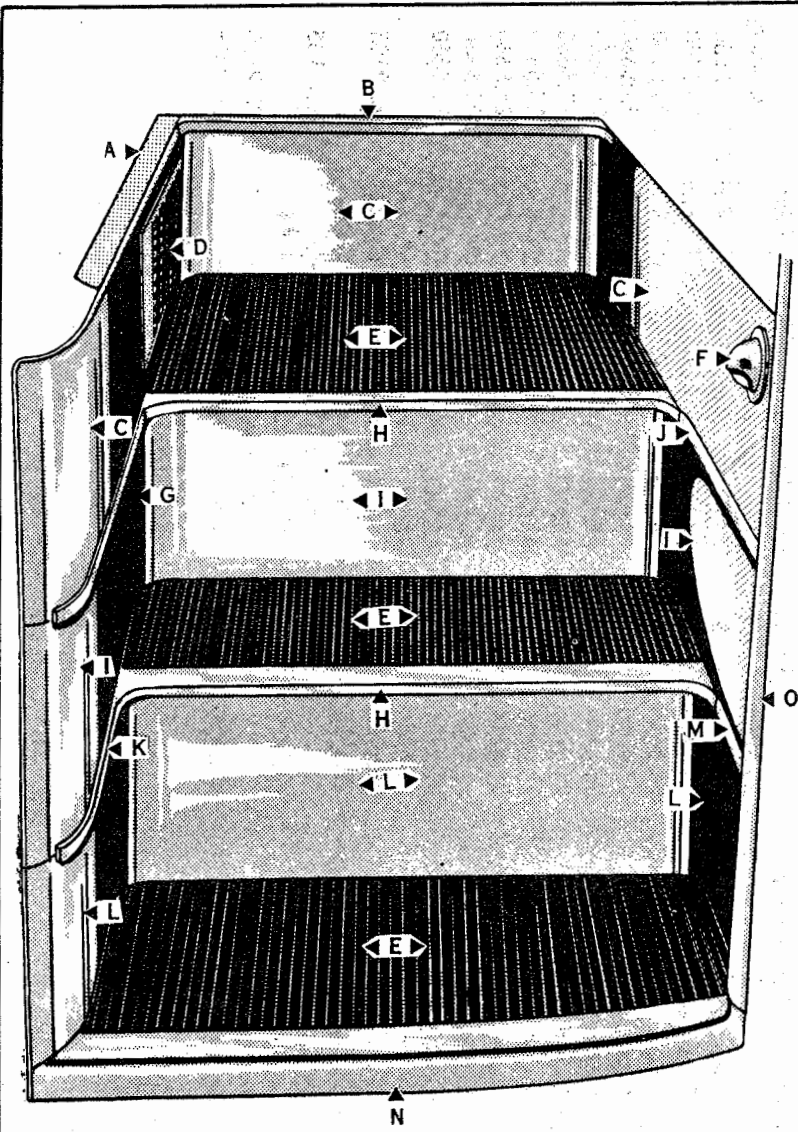


3-0616

ROOF FRAMING

KEY TO ROOF FRAMING

Key	Description	Group No.	Key	Description	Group No.
A	POST (#1 R.H.)	25.3200	AM	PANEL - Crown (R.H. Rear Lower Corner)	25.3225
B	POST (#2 R.H.)	25.3200	AN	PANEL - Crown (L.H. Rear Lower Corner)	25.3225
C	POST (#3 R.H.)	25.3200	AO	STRAINER - R.H. Rear Window	25.3255
D	POST (#4 R.H.)	25.3200	AP	STRAINER - L.H. Rear Window	25.3255
E	POST (#5 R.H.)	25.3200	AO	STRAINER - Rear Window L.H. End	25.3255
F	POST (#6 R.H.)	25.3200	AR	STRAINER - Rear Window R.H. End	25.3255
G	POST (#7 R.H.)	25.3200	AS	STRAINER - R.H. Rear Upper Crown	25.3255
H	POST (#8 R.H.)	25.3200	AT	STRAINER - L.H. Rear Upper Crown	25.3255
I	POST (#9 R.H.)	25.3200	AU	PANEL - Rear Window, Upper	25.5770
J	POST (#10 R.H.)	25.3200	AV	HEADER - Rear Window, R.H.	25.3535
K	POST (#11 R.H.)	25.3200	AW	HEADER - Rear Window, L.H.	25.3535
L	POST (#1 L.H.)	25.3200	AX	HEADER - Rear Window, Center	25.3535
M	POST (#2 L.H.)	25.3200	AY	PANEL - Rear Window Lower	25.5770
N	POST (#3 L.H.)	25.3200	AZ	PLATE - Engine Support, R.H.	8.0190B
O	POST (#4 L.H.)	25.3200	BA	PLATE - Engine Support, L.H.	8.0190B
P	POST (#5 L.H.)	25.3200	BB	ANGLE - Engine Support (Upper and Lower Center)	8.0047B
Q	POST (#6 L.H.)	25.3200	BC	PANEL - Side Window (#1 R.H.)	25.5660
R	POST (#7 L.H.)	25.3200	BD	PANEL - Side Window (#2 R.H.)	25.5660
S	POST (#8 L.H.)	25.3200	BE	PANEL - Side Window (#3 R.H.)	25.5660
T	POST (#9 L.H.)	25.3200	BF	PANEL - Side Window (#4 R.H.)	25.5660
U	POST (#10 L.H.)	25.3200	BG	PANEL - Side Window (#5 R.H.)	25.5660
V	POST (#11 L.H.)	25.3200	BH	PANEL - Side Window (#1 L.H.)	25.5660
W	REINFORCEMENT (At center panel)	25.3240	BI	PANEL - Side Window (#2 L.H.)	25.5660
X	PANEL - Roof center (#1)	25.3220	BJ	PANEL - Side Window (#3 L.H.)	25.5660
Y	PANEL - Roof center (#2)	25.3220	BK	PANEL - Side Window (#4 L.H.)	25.5660
Z	PANEL - Roof center (#3)	25.3220	BL	PANEL - Side Window (#5 L.H.)	25.5660
AA	PANEL - Roof center (#4)	25.3220	BM	POST - Lower Side (Front and Rear of R.H. Inter. Bulkhead)	25.2105
AB	PANEL - Crown (#1 R.H.)	25.3225	BN	POST - Lower Side (L. Center Between Inter. Bulkhead)	25.2105
AC	PANEL - Crown (#2 R.H.)	25.3225	BO	SUPPORT - Side Post (At #4 L.H. Roof Post)	25.2160
AD	PANEL - Crown (#3 R.H.)	25.3225	BP	POST - L.H. Lower Side (At rear axle rear blkhd.)	25.2105
AE	PANEL - Crown (#4 R.H.)	25.3225			
AF	PANEL - Crown (#1 L.H.)	25.3225			
AG	PANEL - Crown (#2 L.H.)	25.3225			
AH	PANEL - Crown (#3 L.H.)	25.3225			
AI	PANEL - Crown (#4 L.H.)	25.3225			
AJ	PANEL - Crown (Rear Center)	25.3225			
AK	PANEL - Crown (L.H. rear Upper Corner)	25.3225			
AL	PANEL - Crown (R.H. rear Upper Corner)	25.3225			



STEPWELL

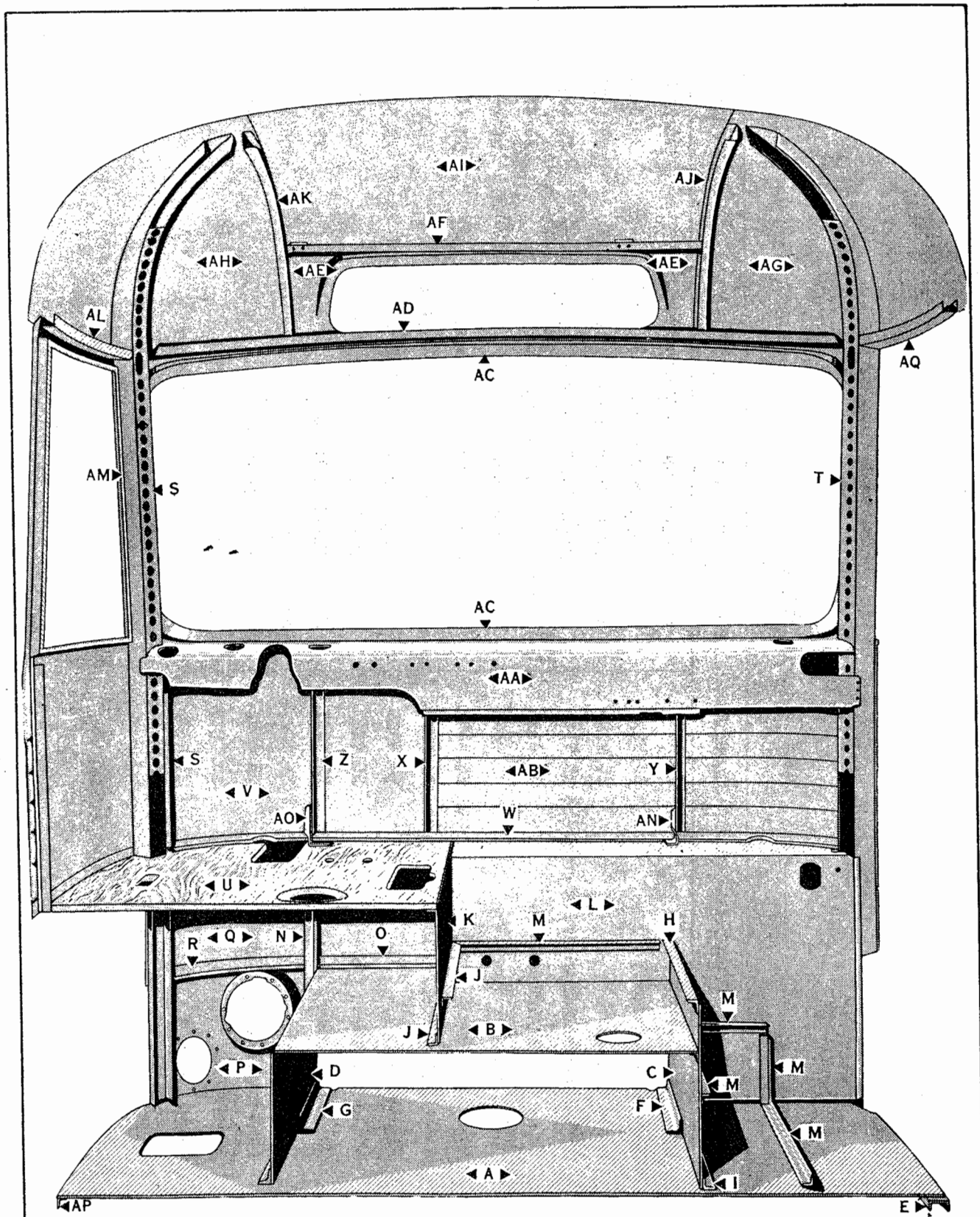
3-0614

BODY

KEY TO STEPWELL

Key	Description	Group No.	Key	Description	Group No.
A	Angle (Trim, upper rear)	25.3910	P	Angle (Top & bottom of bulkhead)	25.3910
B	Angle (Trim, upper)	25.3910	Q	Angle (Support)(1-1/2" x 2")	25.3910
C	Panel (Upper)	25.4020	R	Angle (Support)(1-1/4" x 1-1/4")	25.0763
D	Grille (Recirculating air, at stepwell)	25.7145	S	Angle (R. H. outer to bottom plate)	25.0760
E	Tread (Black Rubber)	25.4125	T	Panel (No. 4 step riser)	25.4025
F	Lamp (Entrance door)	7.1400	U	Plate (Upper step)	25.4035
G	Moulding (Upper, rear)	25.4007	V	Support (Upper Z to bulkhead)	25.4115
H	Angle (Trim, inner & lower)	25.3910	W	Support (Lower Z to bulkhead)	25.4115
I	Panel (Inner)	25.4020	X	Angle (Support)(1-1/2" x 1-1/2")	25.3910
J	Moulding (Upper, front)	25.4007	Y	Bulkhead (Front axle, front)	25.4305
K	Moulding (Lower, rear)	25.4007	Z	Panel (R. H. side)	25.0845
L	Panel (Lower)	25.4020	AA	Panel (Lower)	25.0235
M	Moulding (Lower, front)	25.4007	AB	Plate (Bottom)	25.0867
N	Angle (Trim, outer)	25.3910	AC	Reinforcement (R. H.)	25.0877
O	Guard	25.4657			

BODY



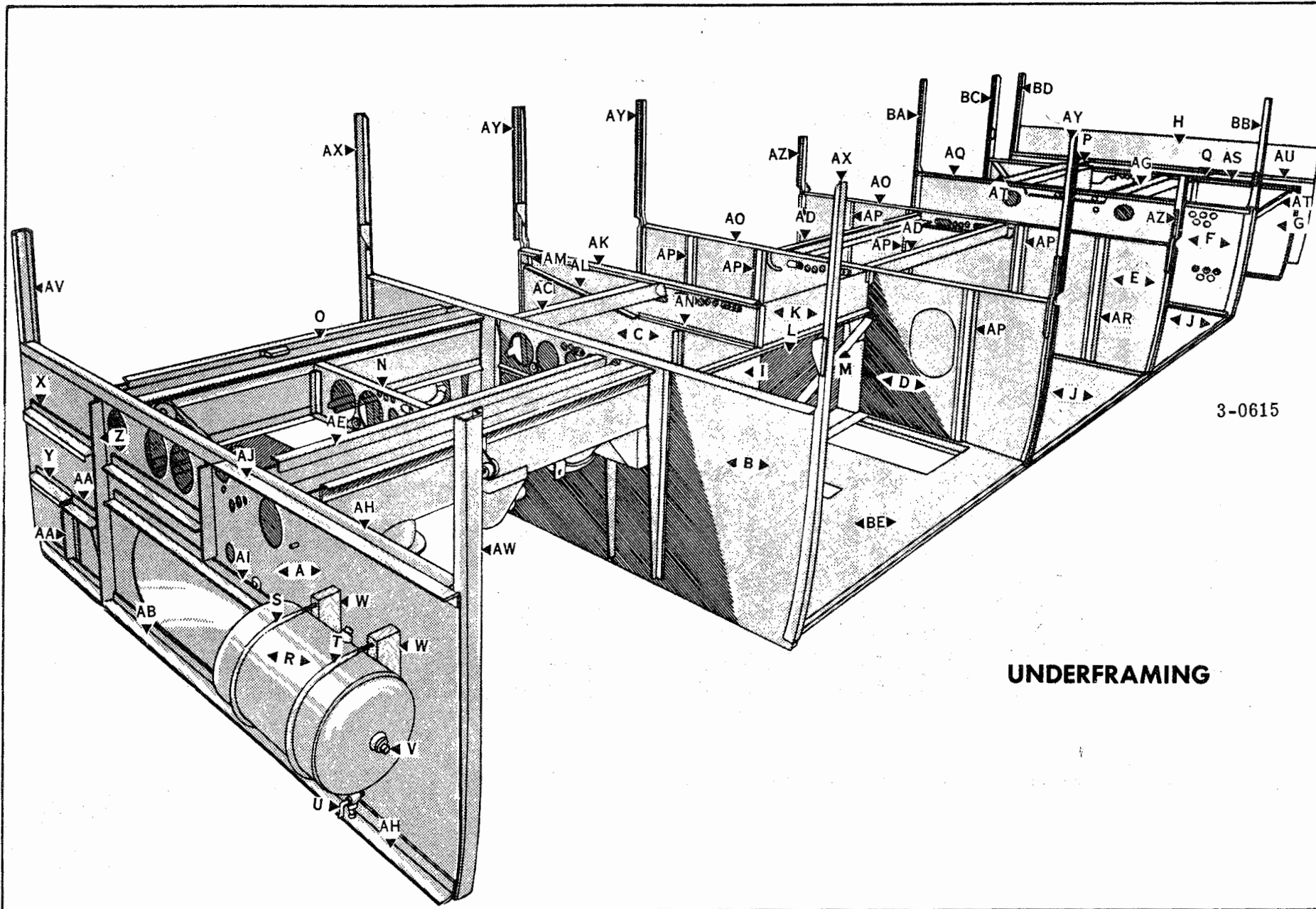
FRONT END FRAMING (INSIDE VIEW)

3-0618

KEY TO FRONT END FRAMING (INSIDE VIEW)

Key	Description	Group No.
A	Plate (Bottom)	25.0867
B	Plate (Top)	25.0867
C	Panel (R. H.)	25.0845
D	Panel (L. H.)	25.0845
E	Reinforcement (R. H.)	25.0877
F	Angle (R. H. inner)	25.0760
G	Angle (L. H. inner)	25.0760
H	Angle (Support)	25.0763
I	Angle (R. H. outer)	25.0760
J	Angle (To #4 step riser)	25.0763
K	Panel	25.4025
L	Panel (Lower)	25.0235
M	Angle	25.0237
N	Post (L. H.)	25.0875
O	Angle (Front)	25.0763
P	Panel (L. H. fog lamp)	25.0075
Q	Panel (Front lower)	25.0075
R	Reinforcement (L. H.)	25.0185
S	Post (L. H. corner)	25.0010
T	Post (R. H. corner)	25.0010
U	Board (Driver's floor)(Not Serviced)	
V	Panel (L. H. upper)	25.0075
W	Angle	25.3827
X	Angle (L. H. front upper panel)	25.0080
Y	Angle (R. H. vertical)	25.0080
Z	Angle (L. H. vertical)	25.0080
AA	Ledge	25.0115
AB	Panel (Front center - fluted)	25.0075
AC	Panel (W/S)	25.0165
AD	Header (W/S)	25.3540
AE	Plate (Trim - dest. sign)	25.3235
AF	Header (Dest. sign)	25.3523
AG	Panel (Front R. H. corner crown)	25.3225
AH	Panel (Front L. H. corner crown)	25.3225
AI	Panel (Front crown)	25.3225
AJ	Strainer (Front R. H.)	25.3255
AK	Strainer (Front L. H.)	25.3255
AL	Header (Driver's window)	25.3525
AM	Panel (Driver's window, outside)	25.5525
AN	Support (R. H.)	25.0230
AO	Support (L. H.)	25.0230
AP	Reinforcement (L. H.)	25.0877
AQ	Header (Front door)	25.3530

222



3-0615

BODY

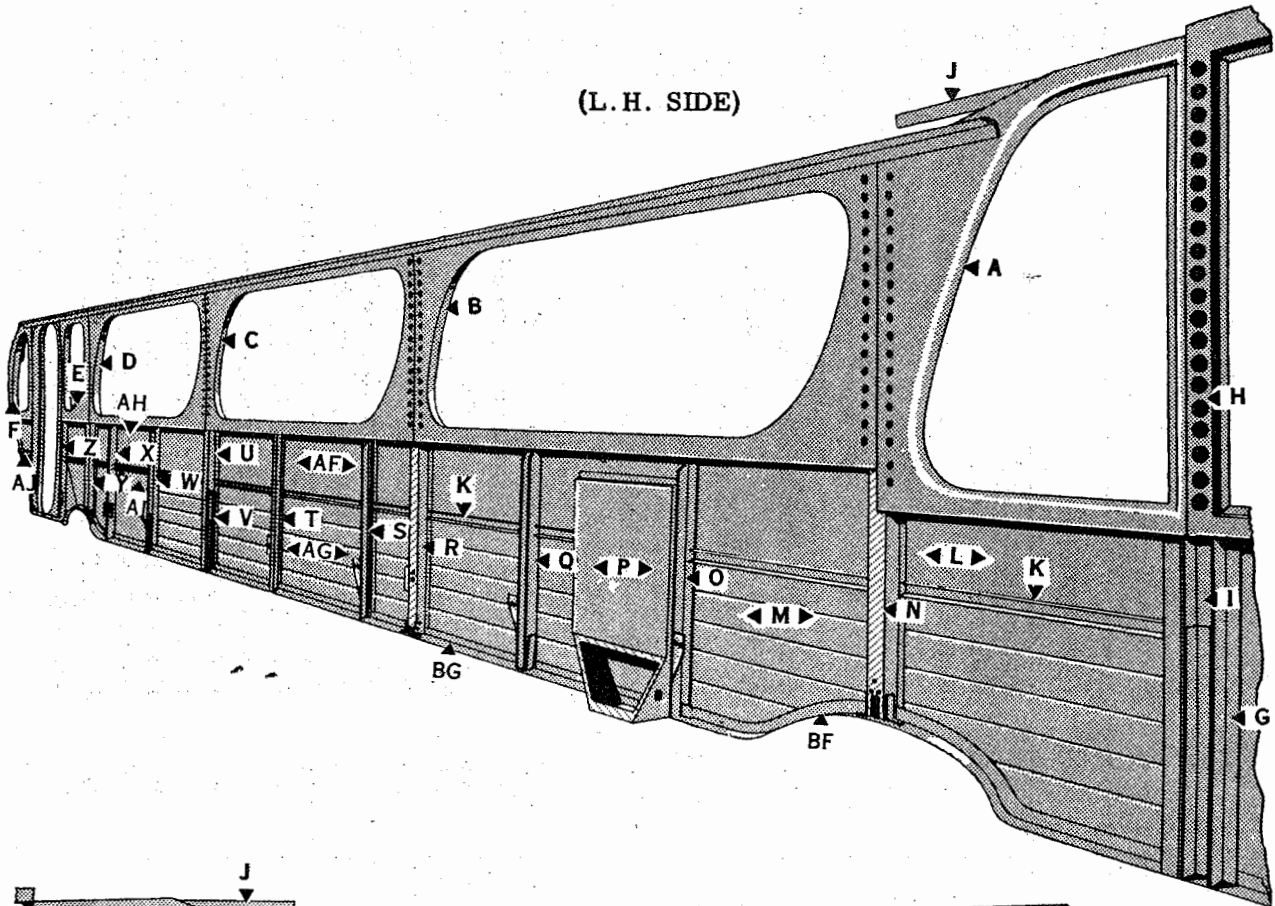
UNDERFRAMING

KEY TO UNDERFRAMING

Key	Description	Group No.	Key	Description	Group No.
A	Bulkhead (Front axle, front)	25.4305	AF	Beam (R. H. rear)	14.0020
B	Bulkhead (Front axle, rear)	25.4305	AG	Beam (L. H. rear)	14.0020
C	Bulkhead (Fuel tank)	25.4305	AH	Angle - supt., front axle front bulkhead, upper & lower	25.4310
D	Bulkhead (Front intermediate)	25.4305	AI	Angle - supt., front axle front bulkhead, tire compt. top sheet	25.4310
E	Bulkhead (Rear intermediate)	25.4305	AJ	Angle - driver's floor supt.	25.4310
F	Bulkhead (Rear axle, front)	25.4305	AK	Tee - fuel tank bulkhead, upper	25.4383
G	Bulkhead (Rear axle, rear)	25.4305	AL	Channel - supt. R. H. air duct (On fuel tank bulkhead)	25.4323
H	Bulkhead (Engine compt.)	25.4305	AM	Angle - inner, R. H. air duct (On fuel tank bulkhead)	25.4310
I	Bulkhead (Longitudinal, air cond. compt.)	26.2675	AN	Angle - bottom, air duct (At fuel tank bulkhead)	25.4310
J	FLOOR-(Baggage Compt.)	25.2857	AO	Tee - upper (Intermediate bulkheads)	25.4383
K	Panel (Closure, upper)	SL-	AP	Stiffener - intermediate bulkheads	25.4365
L	Panel (Closure, lower)	SL-	AQ	Tee - Upper (Rear axle front bulkhead)	25.4383
M	Brace	SL-	AR	Stiffener (Rear axle front bulkhead)	25.4365
N	Crossmember (Front air beam)	25.4250	AS	Tee - upper (Rear axle rear bulkhead)	25.4383
O	Beam (R. H. front)	14.0020	AT	Stiffener (Rear axle rear bulkhead)	25.4365
P	Bulkhead (Longitudinal, R. H.)	25.4305	AU	Angle - floor supt. (Engine bulkhead)	25.4310
Q	Bulkhead (Longitudinal, L. H.)	25.4305	AV	Post - R. H. (Front axle front bulkhead)	25.2105
R	Tank (Front)	4.5010	AW	Post - L. H. (Front axle front bulkhead)	25.2105
S	U-Bolt	4.5055	AX	Post (Front axle rear bulkhead)	25.2105
T	Loom	4.5038	AY	Post (Fuel tank & front inter. bulkheads)	25.2105
U	Cock	4.5035	AZ	Post (Rear intermediate bulkhead)	25.2105
V	Plug	4.5043	BA	Post - R. H. (Rear axle front bulkhead)	25.2105
W	Block (Not serviced - procure locally)		BB	Post - L. H. (Rear axle front bulkhead)	25.2105
X	Support (Upper)	25.4115	BC	Post - R. H. (Rear axle rear bulkhead)	25.2105
Y	Support (Lower)	25.4115	BD	Post - R. H. (Engine bulkhead)	25.2105
Z	Angle (Support)(1-1/2" x 2")	25.3910	BE	PLATE-floor (A. C. Compt.)	SL-
AA	Angle (Support)(1-1/4" x 1-1/4")	25.0763			
AB	Angle (Bottom)	25.3910			
AC	Channel - R. H. (At blower compt.)	25.3707			
AD	Channel - (At baggage compt.)	25.3707			
AE	Beam (L. H. front)	14.0020			

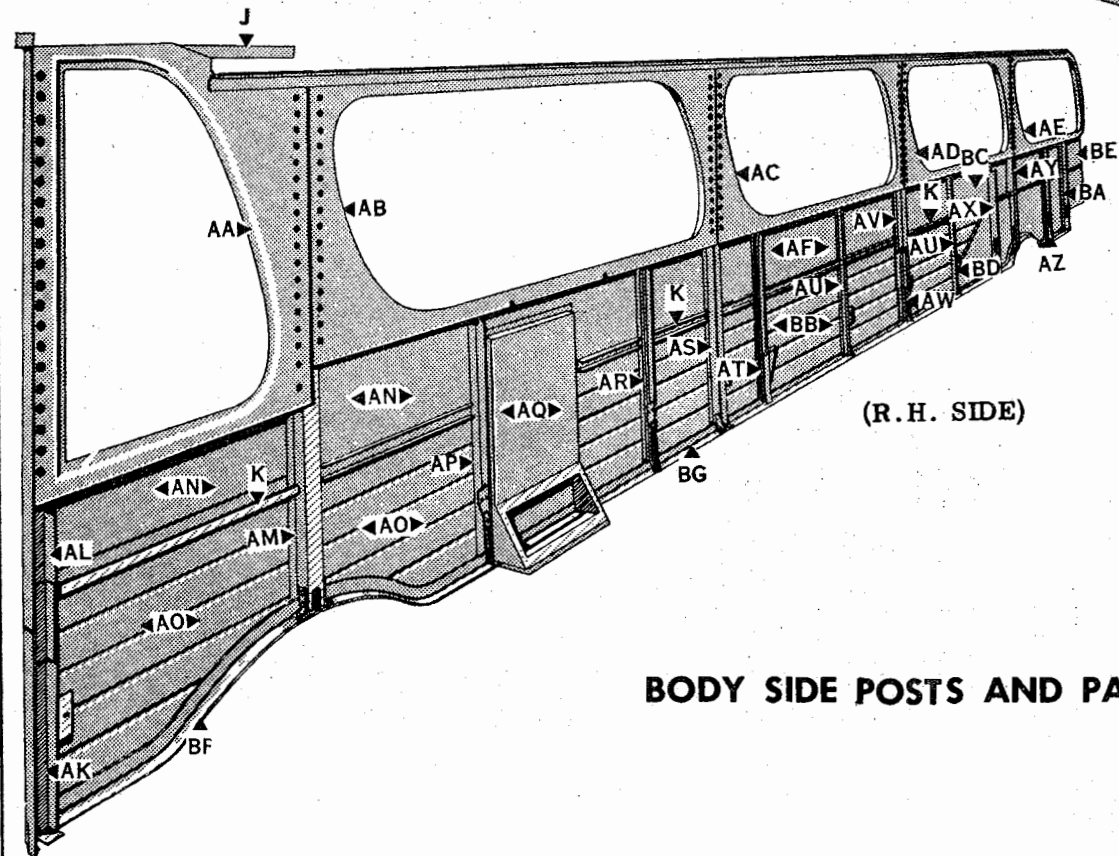
BODY

(L.H. SIDE)



(R.H. SIDE)

3-0617

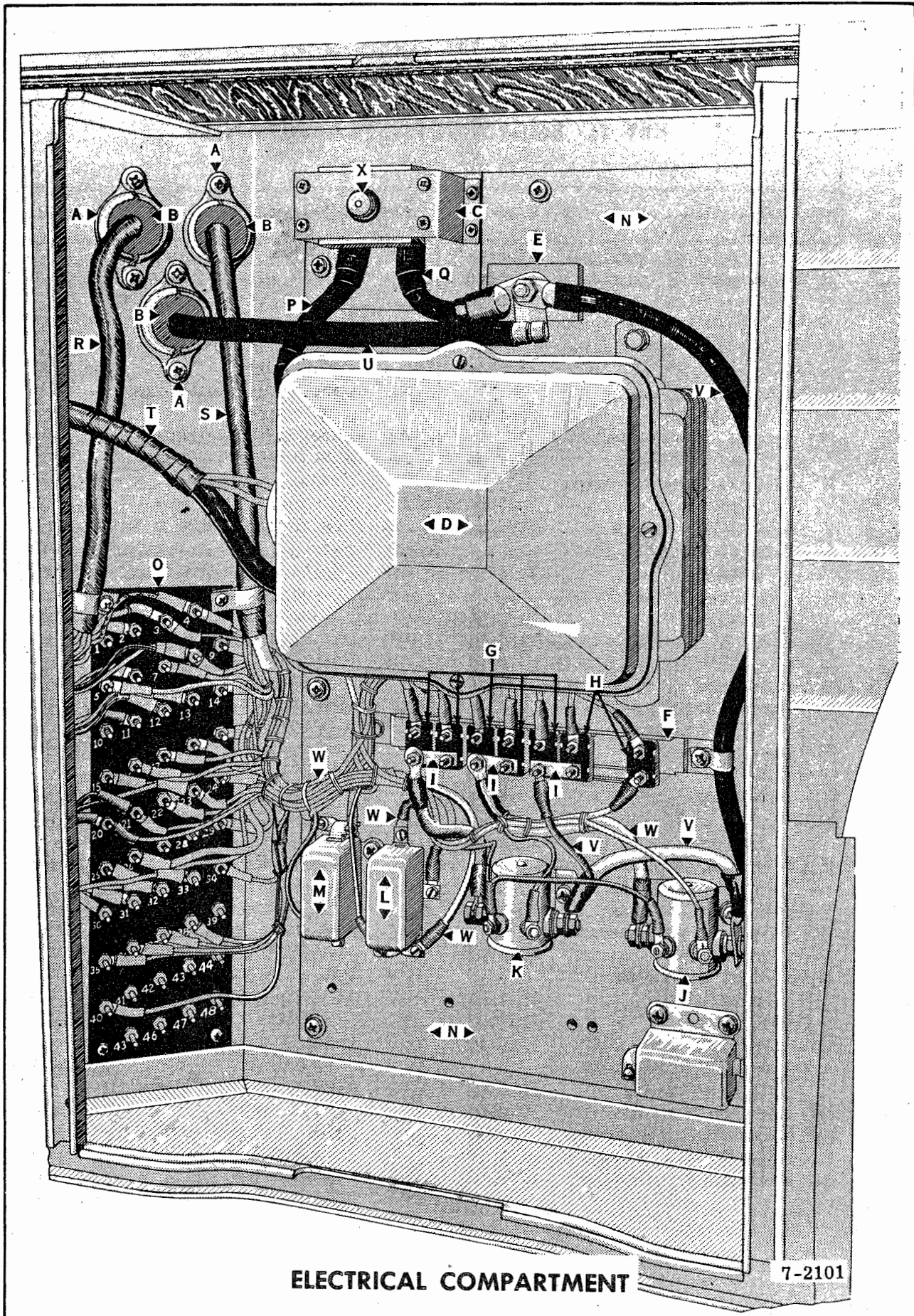


BODY SIDE POSTS AND PANELS

KEY TO BODY SIDE POSTS AND PANELS

Key	Description	Group No.	Key	Description	Group No.
A	Panel (#1 L. H. outside)	25.5660	AE	Panel (#5 R. H. outside)	25.5660
B	Panel (#2 L. H. outside)	25.5660	AF	Panel (Center-#2 plain)	25.2165
C	Panel (#3 L. H. outside)	25.5660	AG	Panel (L. H. center-#2 fluted)	25.2165
D	Panel (#4 L. H. outside)	25.5660	AH	Panel (L. H. rear center- #3 plain)	25.2165
E	Panel (L. H. frt. of safety door)	25.5660	AI	Panel (L. H. rear center- #3 fluted)	25.2165
F	Panel (L. H. rear of safety door)	25.5660	AJ	Panel (L. H. rear-fluted)	25.2165
G	Post (L. H.)(Front axle front bulkhead)	25.2105	AK	Post (R. H.)(Front axle front bulkhead)	25.2105
H	Panel (Driver's window- inside)	25.5660	AL	Post (Roof, #1 R. H.)	25.3200
I	Post (Roof, #1 L. H.)	25.3200	AM	Post (Roof, #2 R. H.)	25.3200
J	Rail (#1 R. H. & L. H. window)	25.5663	AN	Panel (R. H. front-#1plain)	25.2165
K	Channel (Stiffener, side panel)	25.2185	AO	Panel (R. H. front-#1fluted)	25.2165
L	Panel (L. H. front-#1plain)	25.2165	AP	Post (R. H.)(Rear axle rear bulkhead)	25.2105
M	Panel (L. H. front-#1fluted)	25.2165	AQ	Duct (Air intake, R. H.)	25.7120
N	Post (Roof, #2 L. H.)	25.3200	AR	Post (R. H.)(Fuel tank bulkhead)	25.2105
O	Post (L. H.)(Rear axle rear bulkhead)	25.2105	AS	Post (Roof, #3 R. H.)	25.3200
P	Duct (Air intake)	25.7120	AT	Post (R. H.)(Front inter. bulkhead)	25.2105
Q	Support	25.2160	AU	Post (Front & rear of rear inter. bulkhead, R. H.)	25.2105
R	Post (Roof, #3 L. H.)	25.3200	AV	Post (Roof, #4 R. H.)	25.3200
S	Post (L. H.)(Front inter. bulkhead)	25.2105	AW	Post (R. H.)(Rear inter. bulkhead)	25.2105
T	Post (L. H. center-between inter. bulkheads)	25.2105	AX	Post (R. H.)(Rear axle front bulkhead)	25.2105
U	Post (Roof, #4 L. H.)	25.3200	AY	Post (Roof, #5 R. H.)	25.3200
V	Post (L. H.)(Rear inter. bulkhead)	25.2105	AZ	Post (R. H.)(Engine blkhd.)	25.2105
W	Post (L. H. -at battery compt.)	25.2105	BA	Post (R. H.)(Engine blkhd.)	25.2105
X	Post (L. H.)	2291357	BB	Panel (R. H. center - #2 fluted)	25.2165
Y	Post (Roof, #5 L. H.)	25.3200	BC	Panel (R. H. rear center- #3 plain)	25.2165
Z	Post (L. H.)(Rear axle Rear bulkhead)	25.2105	BD	Panel (R. H. rear center- #3 fluted)	25.2165
AA	Panel (#1 R. H. outside)	25.5660	BE	Panel (R. H. -over W/H- fluted)	25.2165
AB	Panel (#2 R. H. outside)	25.5660	BF	Support (At W/H)	25.2283
AC	Panel (#3 R. H. outside)	25.5660	BG	Support (Floor)	25.3867
AD	Panel (#4 R. H. outside)	2555660			

ELECTRICAL



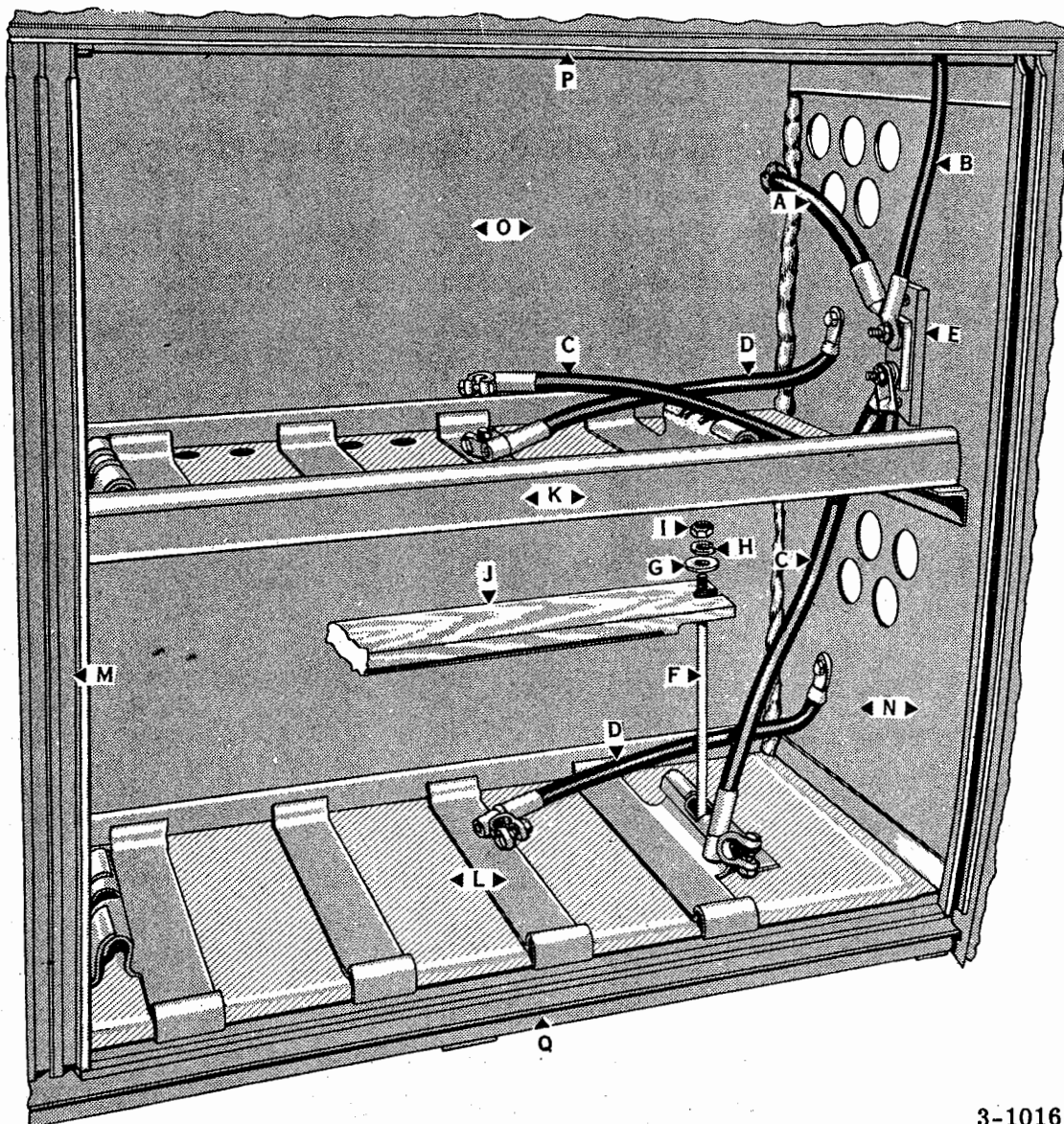
ELECTRICAL COMPARTMENT

7-2101

KEY TO ELECTRICAL COMPARTMENT

Key	Description	Group No.
A	Retainer	7. 8329
B	Grommet - electrical compartment	7. 8310
C	Bracket	7. 7243
D	Regulator	7. 4630
E	Block - junction (Battery, front)	7. 7240
F	Carrier	7. 7284
G	Breaker - circuit (30 amp. stpd. 1110P-30G)	7. 7275
H	Breaker - circuit (20 amp. stpd. 1110P-20G)	7. 7275
I	Bar - bus (2 hole)	7. 7225
J	Switch - magnetic (Reading light)	7. 6240
K	Switch - magnetic (General lighting)	7. 6240
L	Relay (Reverse)	7. 7340
M	Relay (Starter)	7. 7340
N	Plate	7. 4766
O	Panel - junction (Electrical compartment)	7. 7330
P	Cable - master circuit breaker to regulator	7. 8177
Q	Cable - master circuit breaker to junction	7. 8177
R	Harness - L. H. chassis	7. 8200
S	Harness - chassis, air conditioning	7. 8200
T	Harness - regulator to generator	7. 8200
U	Cable - rear battery junction to battery compt.	7. 8177
V	Harness - electrical compartment (Feed)	7. 8200
W	Harness - electrical compartment	7. 8200
X	Breaker - circuit (Master)(Stpd. PGM-200)	7. 7275

BODY

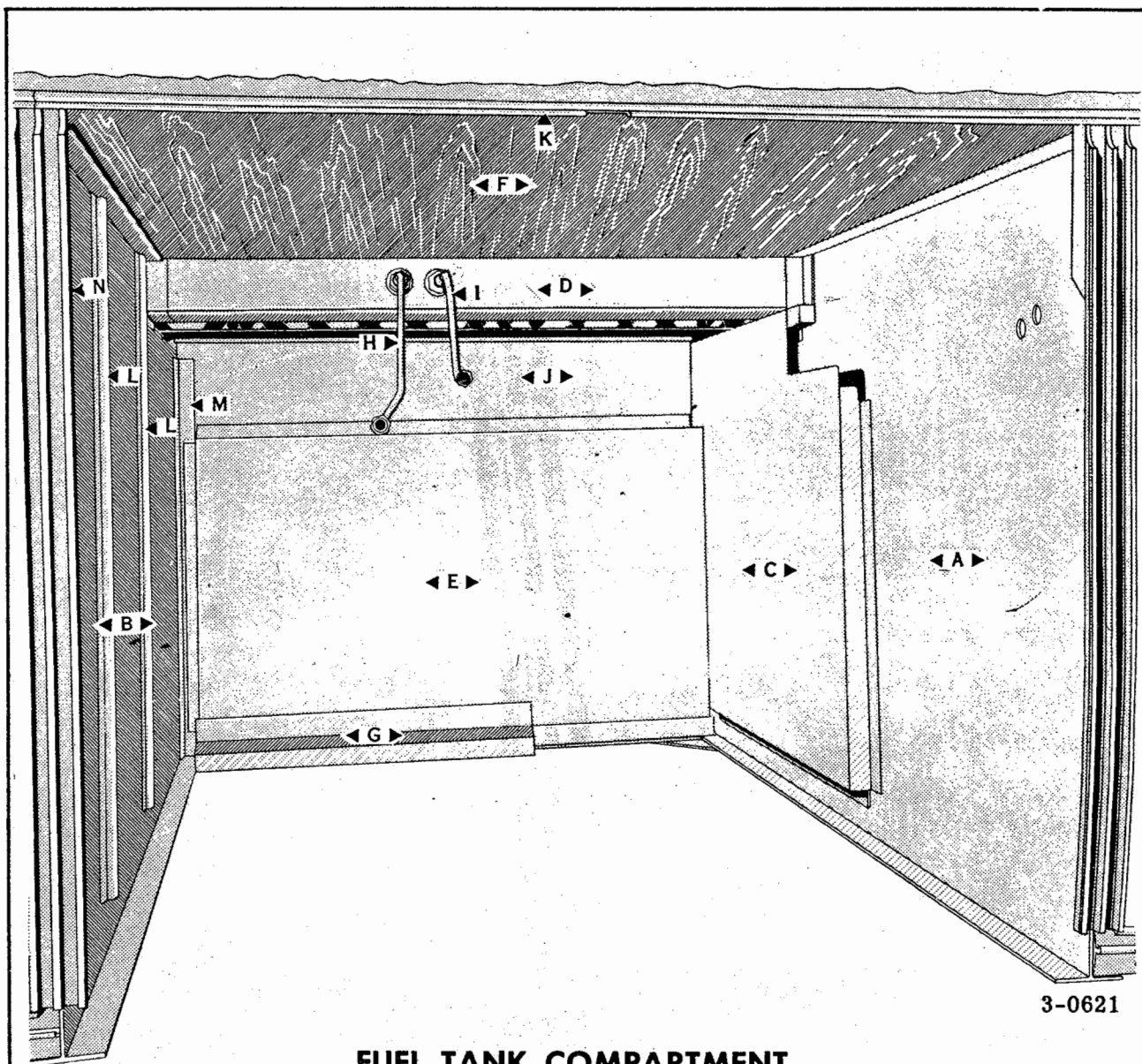


BATTERY COMPARTMENT & CABLES

3-1016

Key	Description	Group No.	Key	Description	Group No.
A	Cable (Battery junction to starter)	7. 8150	J	Bar (Hold down)(Not serviced-procure locally)	
B	Cable (Battery junction to air conditioning)	7. 8177	K	Pan (Upper)	25. 2703
C	Cable (Negative)	7. 8177	L	Pan (Lower)	25. 2703
D	Cable (Positive)	7. 8177	M	Post - L. H. (At battery compartment)	25. 2105
E	Block (Junction-battery)	7. 7240	N	Bulkhead (Rear axle-front)	25. 4305
F	Rod (Tee)	7. 8010	O	Plate	25. 2707
G	Washer (20393)	20. 0795	P	Support	25. 3867
H	Washer (5/16)	20. 0820	Q	Rail - L. H.	25. 2927
I	Nut (120368)	20. 0460			

BODY

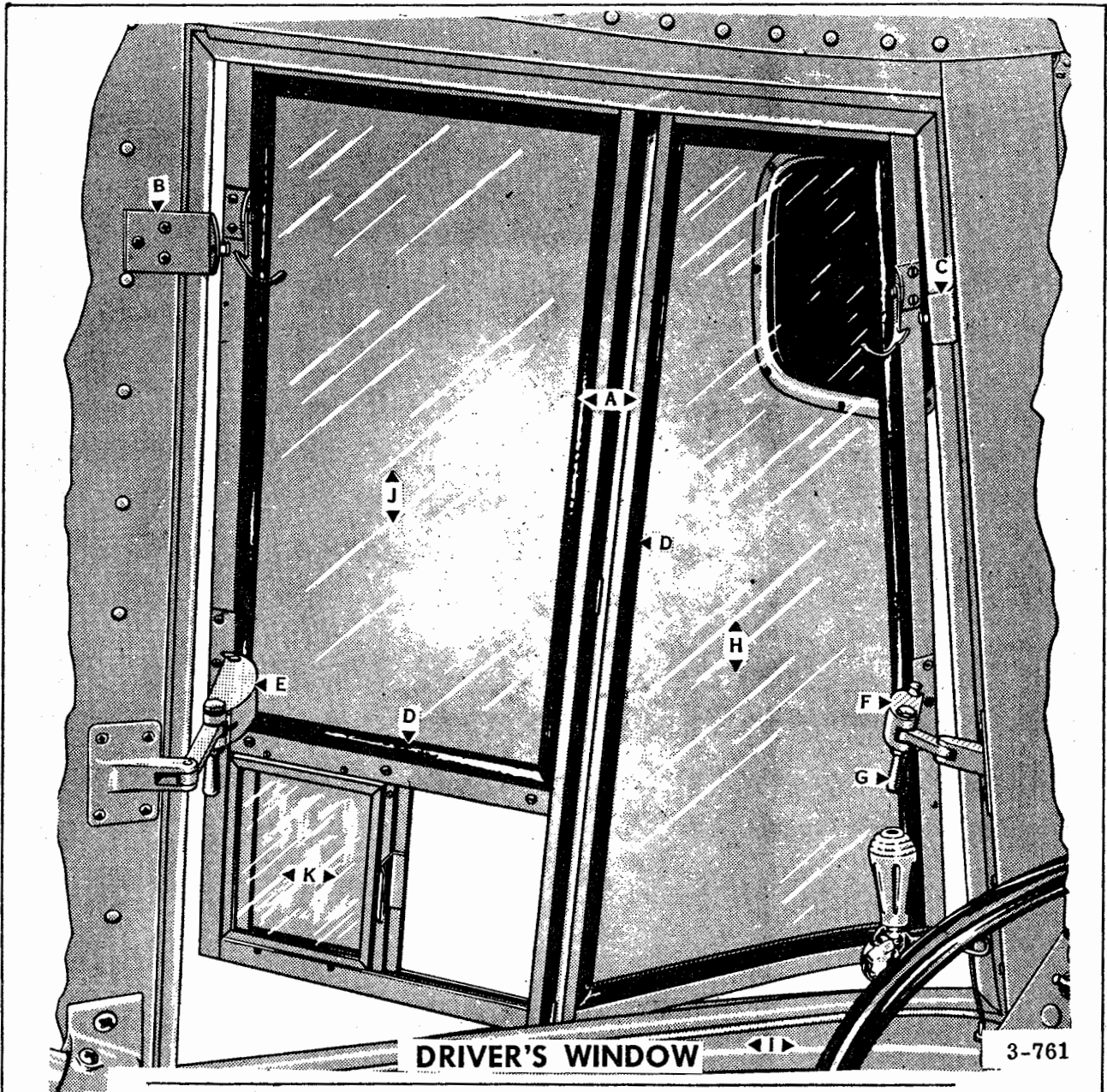


3-0621

FUEL TANK COMPARTMENT

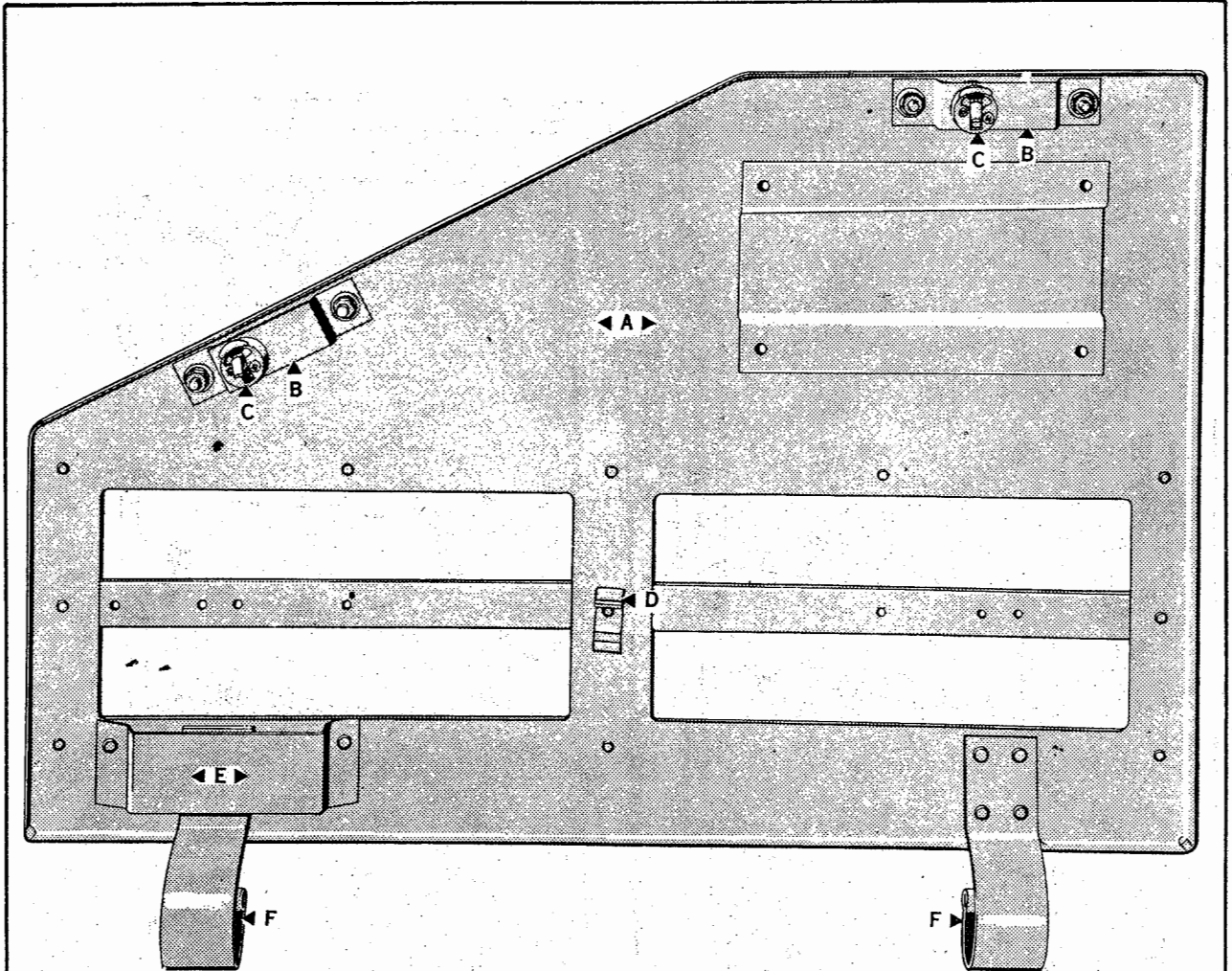
Key	Description	Group No.
A	Bulkhead (Fuel tank)	25.4305
B	Bulkhead (Front intermediate)	25.4305
C	Panel - lower (At fuel tank bulkhead)	25.7255
D	Channel - (At fuel tank compartment)	25.3707
E	Panel - closure, lower	SL-11906
F	Board - floor (Not serviced procure locally)	
G	Shield (Not serviced - part of closure panel)	
H	Line (Supply)	12.0420
I	Line (Return)	12.0420
J	Panel - closure, upper	SL-11906
K	Support (74" long)	25.3867
L	Stiffener (Intermediate bulkheads)	25.4365
M	Angle (Front intermediate bulkhead to air cond. bulkhead)	25.4310
N	Angle (R. H. reinf. (Intermediate bulkhead)	25.4310

BODY



Key	Description	Group No.
A	Sash	25. 5465
B	Bracket - keeper, upper rear	25. 5477
C	Bracket - keeper, upper front	25. 5477
D	Weatherstrip	25. 5590
E	Regulator - lower rear	25. 5533
F	Regulator - lower front	25. 5533
G	Handle	25. 5511
H	Glass - front (Curved)	25. 5510
I	Panel - inside	25. 5525
J	Glass - upper rear	Pro. Loc.
K	Glass - lower rear (Sliding & stationary)	Pro. Loc.

BODY

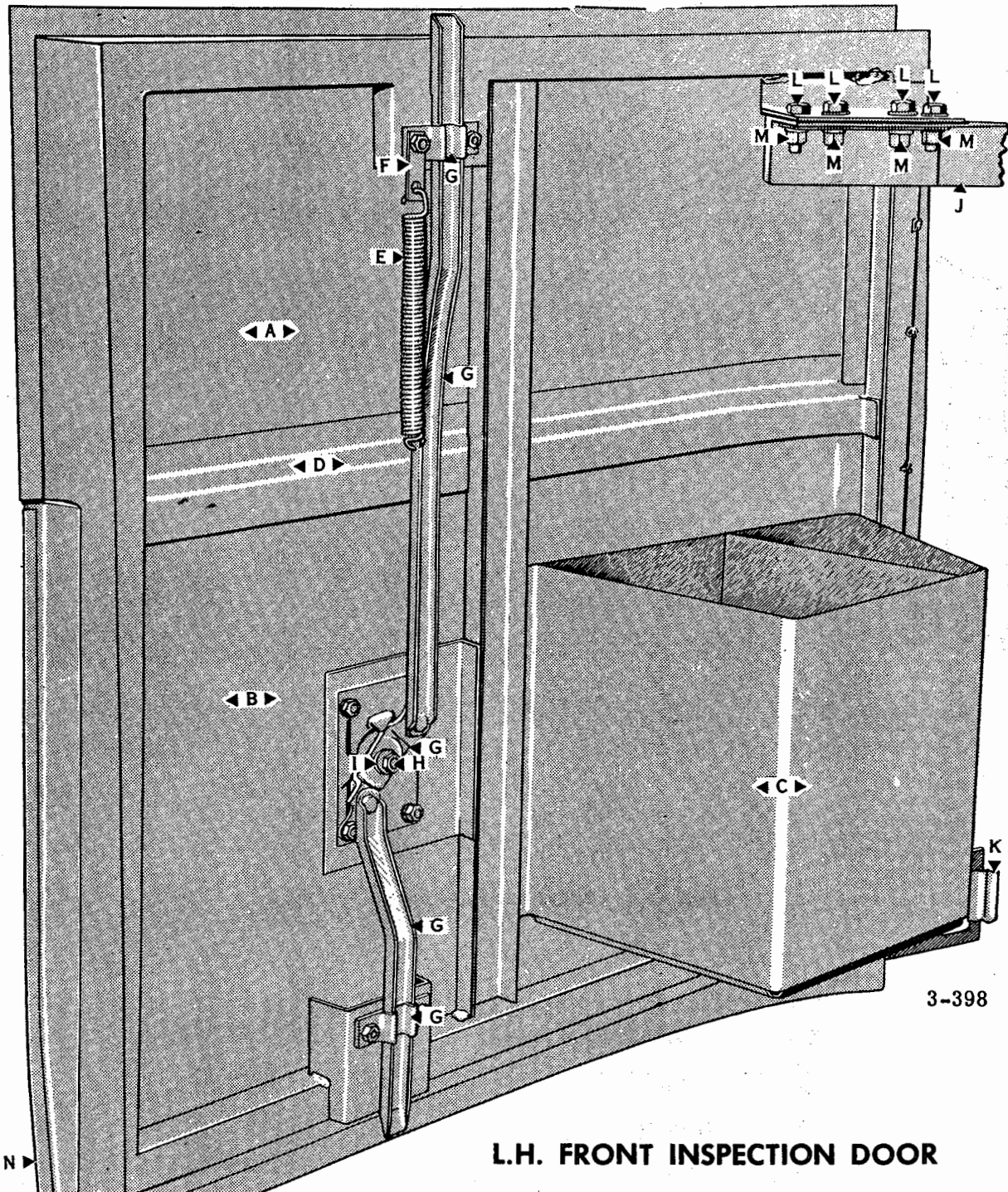


3-395

FRONT COMPARTMENT DOOR

Key	Description	Group No.
A	Door	25.0640
B	Bracket	25.0615
C	Latch	25.0670
D	Clip	25.9095
E	Bracket	25.9090
F	Hinge	25.0665

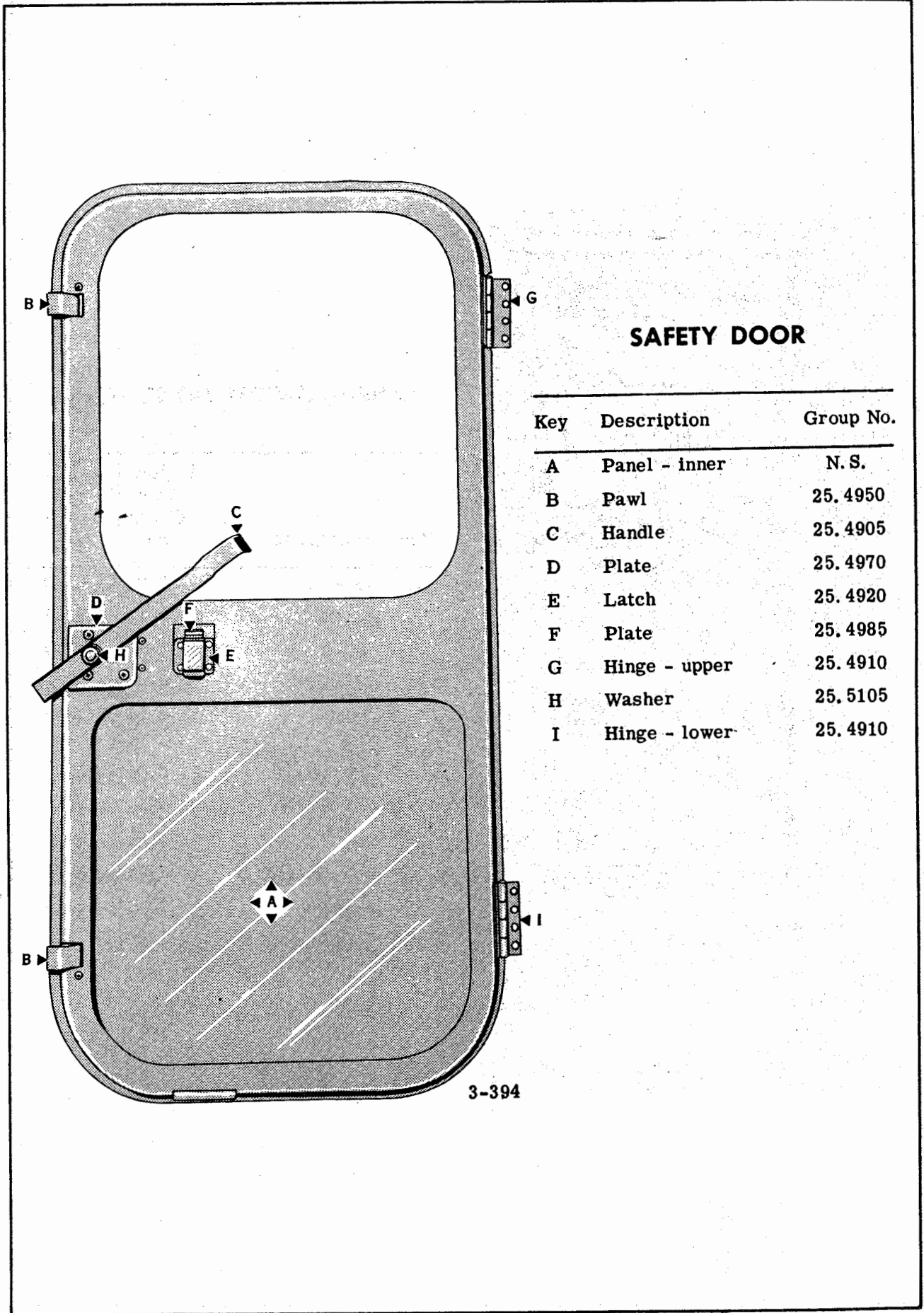
BODY



L.H. FRONT INSPECTION DOOR

Key	Description	Group No.	Key	Description	Group No.
A	Panel - upper	25. 2415	H	Shaft	25. 2455
B	Panel - lower	25. 2415	I	Nut (5/16-24 steel)	20. 0460
C	Carrier	25. 2367	J	Hinge - upper	25. 2387
D	Extension	25. 2380	K	Hinge - lower (Door half)	25. 2387
E	Spring	25. 2460	L	Bolt (3/8-24 x 1 hex. hd.)	20. 0050
F	Clip	25. 2375	M	Nut (3/8-24 steel)	20. 0460
G	Lock	25. 2400	N	Panel - trim, lower	25. 2415

BODY

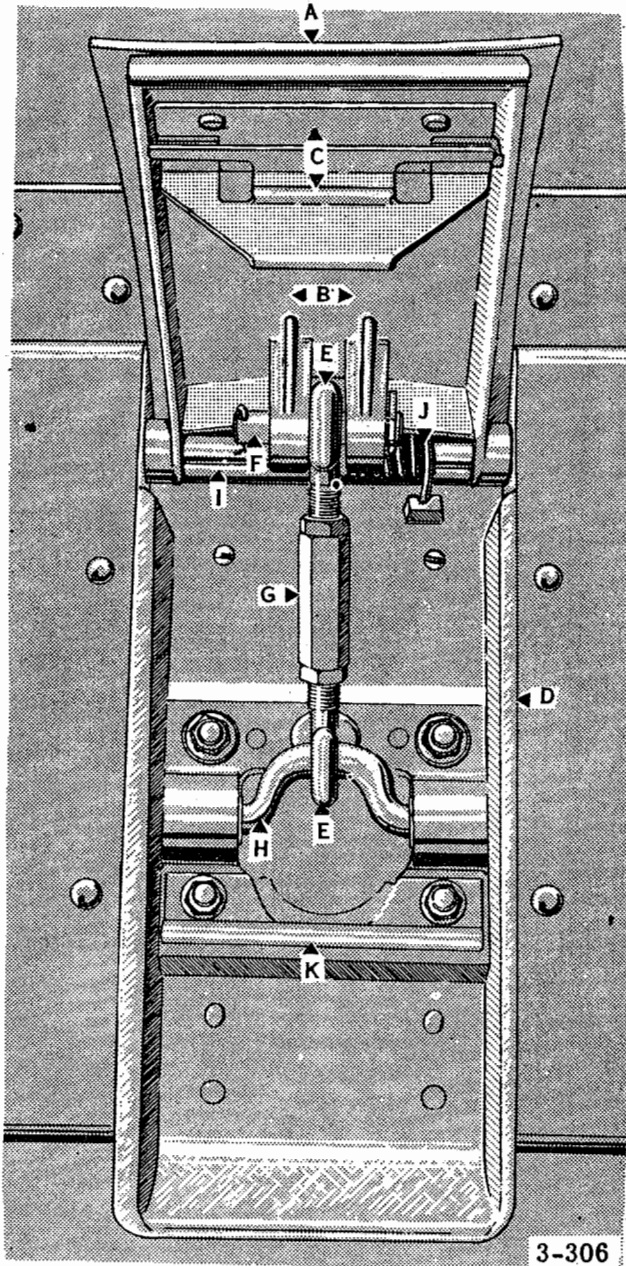


SAFETY DOOR

Key	Description	Group No.
A	Panel - inner	N. S.
B	Pawl	25.4950
C	Handle	25.4905
D	Plate	25.4970
E	Latch	25.4920
F	Plate	25.4985
G	Hinge - upper	25.4910
H	Washer	25.5105
I	Hinge - lower	25.4910

3-394

BODY

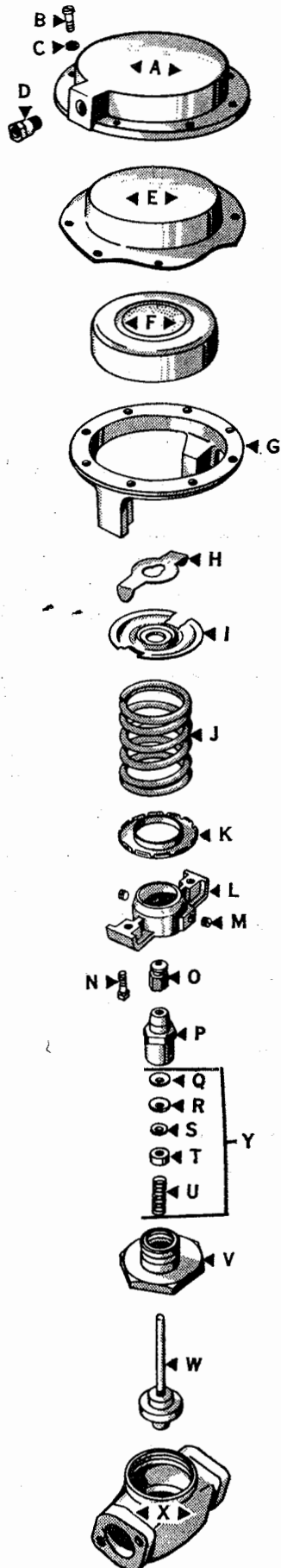


COMPARTMENT DOOR LOCKS

Key	Description	Baggage Door Group No.	Compt. Door Group No.
A	Cover	25. 2837	25. 3110
B	Handle	25. 2867	25. 3114
C	Catch	25, 2817	25. 3104
D	Housing	25. 2873	25. 3118
E	Eye	25. 2853	25. 3112
F	Pin-link eye to handle	25. 2905	25. 3126
G	Nut	25. 2883	25. 3122
H	Rod	25. 2960	25. 3138
I	Pin - handle	25. 2905	25. 3126
J	Spring	25. 3005	25. 3146
K	Plate - striker	25. 2920	25. 3128

BODY

WATER MODULATING VALVE



Key	Description	Group No.
A	Cup - operating	25. 7467
B	Screw (#6-32-1/2 fil. hd.)	N. S.
C	Washer (#6 lock)	N. S.
D	Plug	N. S.
E	Diaphragm	25. 7470
F	Cup - diaphragm	25. 7467
G	Spider - upper	25. 7572
H	Retainer	25. 7562
I	Cup - spring	25. 7467
J	Spring - main	25. 7577
K	RING	25. 7564
L	Spider - lower	25. 7572
M	Set Screw (1/4-20 x 3/8 socket hd.)	N. S.
N	Screw - lower spider mtg. (1/4-20 x 1 socket hd.)	N. S.
O	Button	25. 7442
P	Nut - packing	25. 7838
Q	Packing (Use R)	N. S.
R	CONE (#2331483)	
S	Washer (Part of R)	25. 7623
T	Follower (Part of R)	N. S.
U	Spring - packing	25. 7577
V	Bonnet - (#2320823)	
W	Holder	25. 7503
X	Body	N. S.
Y	Kit (Consist of Q-R-S-T-U)	25. 7513
Z	DISC	25. 7472
AA	GUIDE	25. 7502

3-859

KEY TO INTERIOR TRIM (FRONT VIEW)

(Prior to Chassis #601)

Key	Description	Group No.	Key	Description	Group No.	Key	Description	Group No.
A	*Panel (#1 front L. H.)	25.8120	AC	Moulding (L. H. front)	25.8110	Bj	Channel (W/S glass)	25.5435
B	*Panel (#2 L. H.)	25.8120	AD	Moulding (Intermediate)	25.8110	BK	Panel (Front compt., closure)	25.0690
C	*Panel (#3 L. H.)	25.8120	AE	Moulding (R. H. front)	25.8110	BL	Panel (Front compt., R. H.)	25.0690
D	*Panel (#4 L. H.)	25.8120	AF	Panel (Reading lamp)	25.7770	BM	Door (Front compt.)	25.0640
E	*Panel (#5 L. H.)	25.8120	AG	Housing (Reading lamp)	7.1597	BN	Moulding (Closure panel)	25.0675
F	*Panel (#5 R. H.)	25.8120	AH	§Panel (Front L. H.)	25.8350	BO	Moulding (Front compt., door)	25.0680
G	*Panel (#4 R. H.)	25.8120	AI	§Panel (Front R. H.)	25.8350	BP	Panel (Front stepwell, upper)	25.4020
H	*Panel (#3 R. H.)	25.8120	AJ	§Panel (Intermediate)	25.8350	BQ	Lamp (Front door)	7.1400
I	*Panel (#5 R. H.)	25.8120	AK	Bumper (Rubber)	25.8260	BR	Ledge (W/S)	25.0115
J	*Panel (#1 front R. H.)	25.8120	AL	Cover (Light rail)	25.8295	BS	Covering (Floor)	25.3745
K	Plate (Scuff, L. H. front side trim panel)	25.8125	AM	Rail (Light)	25.8375	BT	Duct (Recirculated air, L. H.)	25.7120
L	Plate (Scuff, R. H. front side trim panel)	25.8125	AN	Moulding (Splice)	25.8337	BU	Duct (Recirculated air, R. H.)	25.7120
M	Plate (Scuff, side trim panel)	25.8125	AO	Support	25.8475	BV	Covering (W/H)	25.3745
N	Grille (L. H. vertical air duct)	25.7145	AP	#Panel (Front L. H. crown)	25.7790	BW	Plate (Tread, L. H. front W/H)	25.2270
O	Grille (R. H. vertical air duct)	25.7145	AQ	#Panel (Front center)	25.7790	BX	Plate (Tread, R. H. front W/H)	25.2270
P	Thermostat	25.7605	AR	#Panel (Front R. H. crown)	25.7790	BY	Moulding (W/H covering)	25.2260
Q	#Panel (Trim #1 front L. H. window)	25.7790	AS	#Panel (Intermediate crown)	25.7790	BZ	Moulding (Cove, floor)	25.8110
R	#Panel (Trim #2 L. H. window)	25.7790	AT	#Panel (Center intermediate crown)	25.7790	CA	Buzzer (Passenger signal)	7.7375
S	#Panel (Trim #1 front R. H. window)	25.7790	AU	Moulding (Cross-roof)	25.7750	CB	Cord (Passenger signal)	7.7390
T	#Panel (Trim #2 R. H. window)	25.7790	AV	Moulding (Longitudinal-roof)	25.7750	CC	Bracket (Signal cord)	7.7370
U	Sash (Driver's window)	25.5465	AW	Moulding (Front center)	25.7750	CD	Treadle (Brake)	4.5995
V	Sash (#1 L. H.)	25.5615	AX	Mirror (Inside rear view)	25.8925	CE	Treadle (Accelerator)	8.5780
W	Sash (#2 L. H.)	25.5615	AY	Visor (Sun)	25.9025	CF	Knob	17.3010
X	Sash (#3 L. H.)	25.5615	AZ	Housing (Driver's control panel)	7.5075	CG	Lever	17.3065
Y	Sash (Front door)	25.4770	BA	Pedal (Clutch)	5.0690	CH	Tower	17.3735
Z	Sash (#1 R. H.)	25.5615	BB	Wheel (Steering)	16.0890	CI	Handle	4.7104
AA	Sash (#2 R. H.)	25.5615	BC	Cap (Horn button)	7.6870	CJ	Lever	4.7125
AB	Sash (#3 R. H.)	25.5615	BD	Gear (Steering, upper)	16.0010	CK	Boot	4.6940
			BE	Handle (Door control)	25.5185			
			BF	Rail (Grab, front door)	25.8585			
			BG	Panel (Upper front center-above W/S)	25.7790			
			BH	Panel (W/S)	25.0165			
			BI	Glass (W/S)	25.5445			

*Not Serviced by G. M. T. C. Purchase from Ionia Mfg. Co., Ionia, Michigan or Cadillac Products Co., Ferndale, Michigan.

#Not Serviced by G. M. T. C. Purchase from Haskellite Co., Grand Rapids, Michigan.

§Not Serviced by G. M. T. C. Purchase from Haskellite Co., Grand Rapids, Michigan or Technical Plywood Co., Chicago, Ill.

KEY TO INTERIOR TRIM (REAR VIEW)

(Prior to Chassis #601)

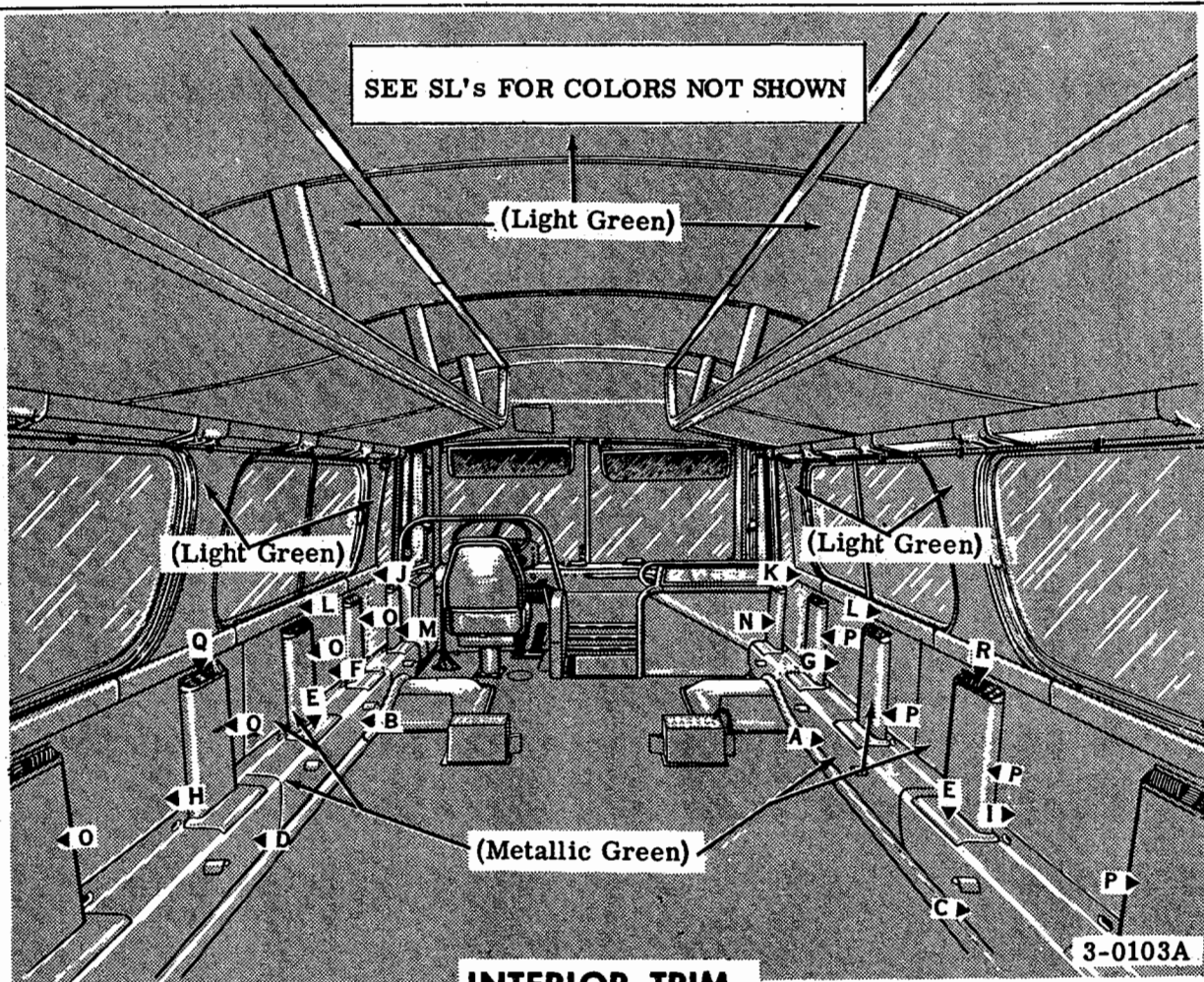
Key	Description	Group No.	Key	Description	Group No.	Key	Description	Group No.
A	*Panel (#10 R. H.)	25. 8120	AB	Sash (#4 L. H.)	25. 5615'	BB	Strainer (Reinf. rear window, R. H.)	25. 3255
B	*Panel (#9 R. H.)	25. 8120	AC	Sash (#3 L. H.)	25. 5615	BC	Strainer (Reinf. rear window, L. H.)	25. 3255
C	*Panel (#8 R. H.)	25. 8120	AD	Sash (#2 L. H.)	25. 5615	BD	Glass (Rear window, R. H.)	25. 5765
D	*Panel (#7 R. H.)	25. 8120	AE	Panel (Reading lamp)	25. 7790	BE	Glass (Rear window, center)	25. 5765
E	*Panel (#6 R. H.)	25. 8120	AF	Housing (Reading lamp)	25. 1597	BF	Glass (Rear window, L. H.)	25. 5765
F	*Panel (#9 L. H.)	25. 8120	AG	\$Panel (Intermediate)	25. 8350	BG	Channel (Rear window glass)	25. 5755
G	*Panel (#8 L. H.)	25. 8120	AH	\$Panel (R. H. rear)	25. 8350	BH	*Panel (Trim, lower-hulboard)	25. 5960
H	*Panel (#7 L. H.)	25. 8120	AI	\$Panel (L. H. rear)	25. 8350	BI	Covering (Floor)	25. 3745
I	*Panel (#6 L. H.)	25. 8120	AJ	\$Panel (Rear)	25. 8350	BJ	Moulding (Cove, floor)	25. 8110
J	Plate (Scuff side trim panel)	25. 8125	AK	Bumper (Rubber)	25. 8260	BK	Plate (Tread, rear W/H)	25. 2270
K	Grille(R. H. vertical air duct)	25. 7145	AL	Cover (Light rail)	25. 8295	BL	Covering (W/H)	25. 3745
L	Grille (L. H. vertical air duct)	25. 7145	AM	Rail (Light)	25. 8375	BM	Moulding (W/H covering)	25. 2260
M	Thermostat	25. 7605	AN	Moulding (Splice)	25. 8337	BN	Panel (Rear cross seat, lower)	25. 5970
N	#Panel (Between #2-3-4 R. H. window)	25. 7790	AO	Support	25. 8475	BO	Panel (Air cleaner duct & silencer, R. H.)	12. 7560
O	#Panel (Between #2-3-4 L. H. window)	25. 7790	AP	#Panel (Rear R. H. corner crown)	25. 7790	BP	Panel (Air cleaner duct & silencer, L. H.)	12. 7560
P	Panel (Front safety door)	25. 7790	AQ	#Panel (Rear R. H. center crown)	25. 7790	BQ	Moulding (Cross)	25. 7750
Q	Panel (Rear of safety door)	25. 7790	AR	#Panel (Rear L. H. center crown)	25. 7790	BR	Moulding (Longitudinal)	25. 7750
R	Moulding (Intermediate)	25. 8110	AS	#Panel (Rear L. H. corner crown)	25. 7790	BS	Moulding (Longitudinal, R. H. rear upper)	25. 7750
S	Moulding (L. H. rear-front of safety door)	25. 8110	AT	#Panel (Rear side crown)	25. 7790	BT	Moulding (Longitudinal, rear upper center)	25. 7750
T	Moulding (L. H. rear-rear of safety door)	7. 7390	AM	#Panel (Rear center)	25. 7790	BU	Moulding (Longitudinal, L. H. rear upper)	25. 7750
U	Cord (Passenger signal)	7. 7390	AV	#Panel (Intermediate crown)	25. 7790			
V	Bracket (Signal cord)	7. 7370	AW	#Panel (Intermediate center)	25. 7790			
W	Sash (#6 R. H.)	25. 5615	AX	*Panel (L. H. -at rear cross seat)	25. 8120			
X	Sash (#5 R. H.)	25. 5615	AY	Panel (Rear R. H. lower crown)	25. 3225			
Y	Sash (#4 R. H.)	25. 5615	AZ	Panel (Rear L. H. lower crown)	25. 3225			
Z	Sash (#5 L. H.)	25. 5615	BA	Panel (Rear window, upper)	25. 5770			
AA	Sash (Safety door)	25. 5615						

*Not Serviced by G. M. T. C. Purchase from Ionia Mfg. Co., Ionia, Michigan or Cadillac Products Co., Ferndale, Michigan.

#Not Serviced by G. M. T. C. Purchase from Haskelite Co., Grand Rapids, Michigan.

\$Not Serviced by G. M. T. C. Purchase from Haskelite Co., Grand Rapids, Michigan or Technical Plywood Co., Chicago, Ill.

BODY

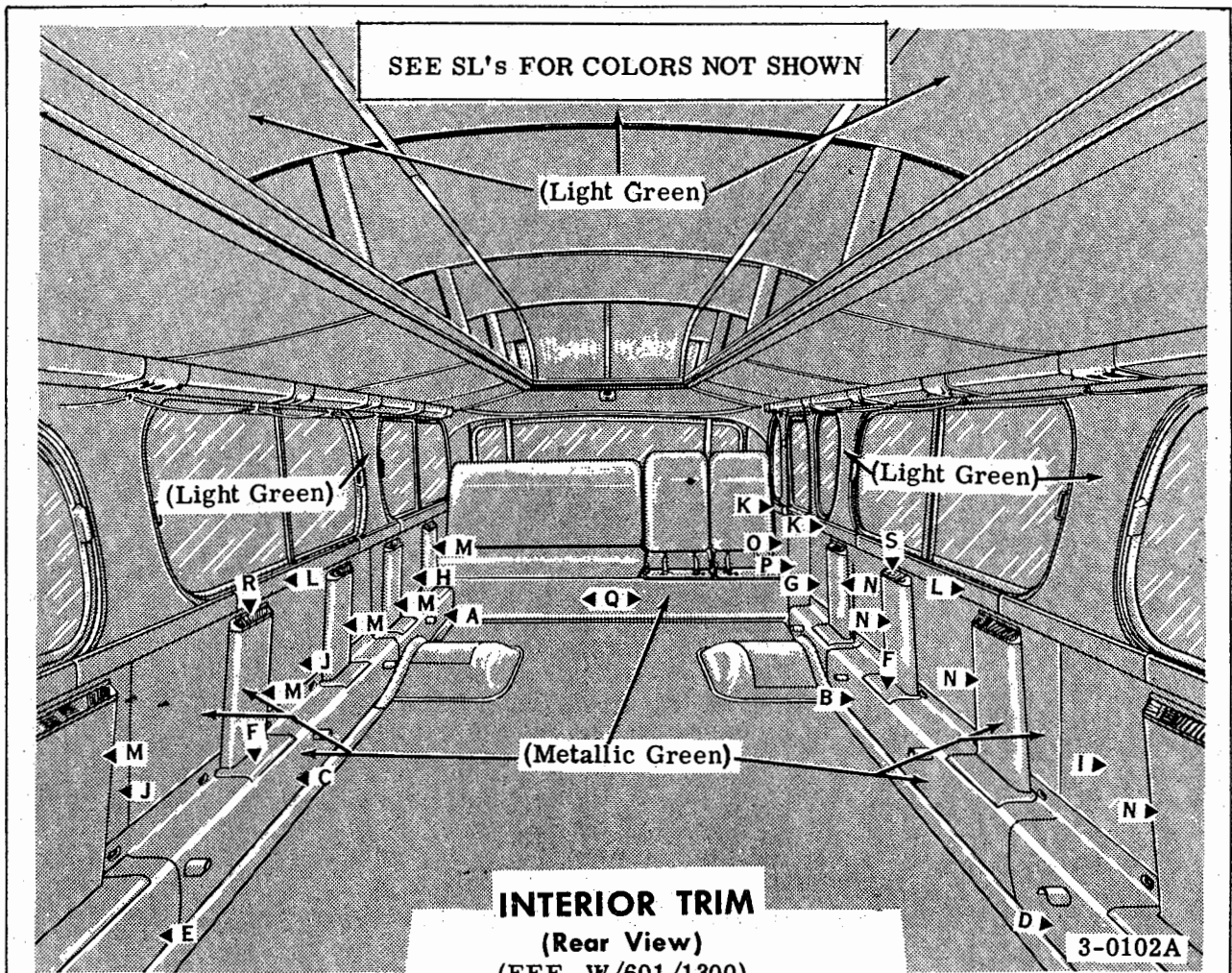


INTERIOR TRIM

(Front View)
(EFF. W/601/1300)

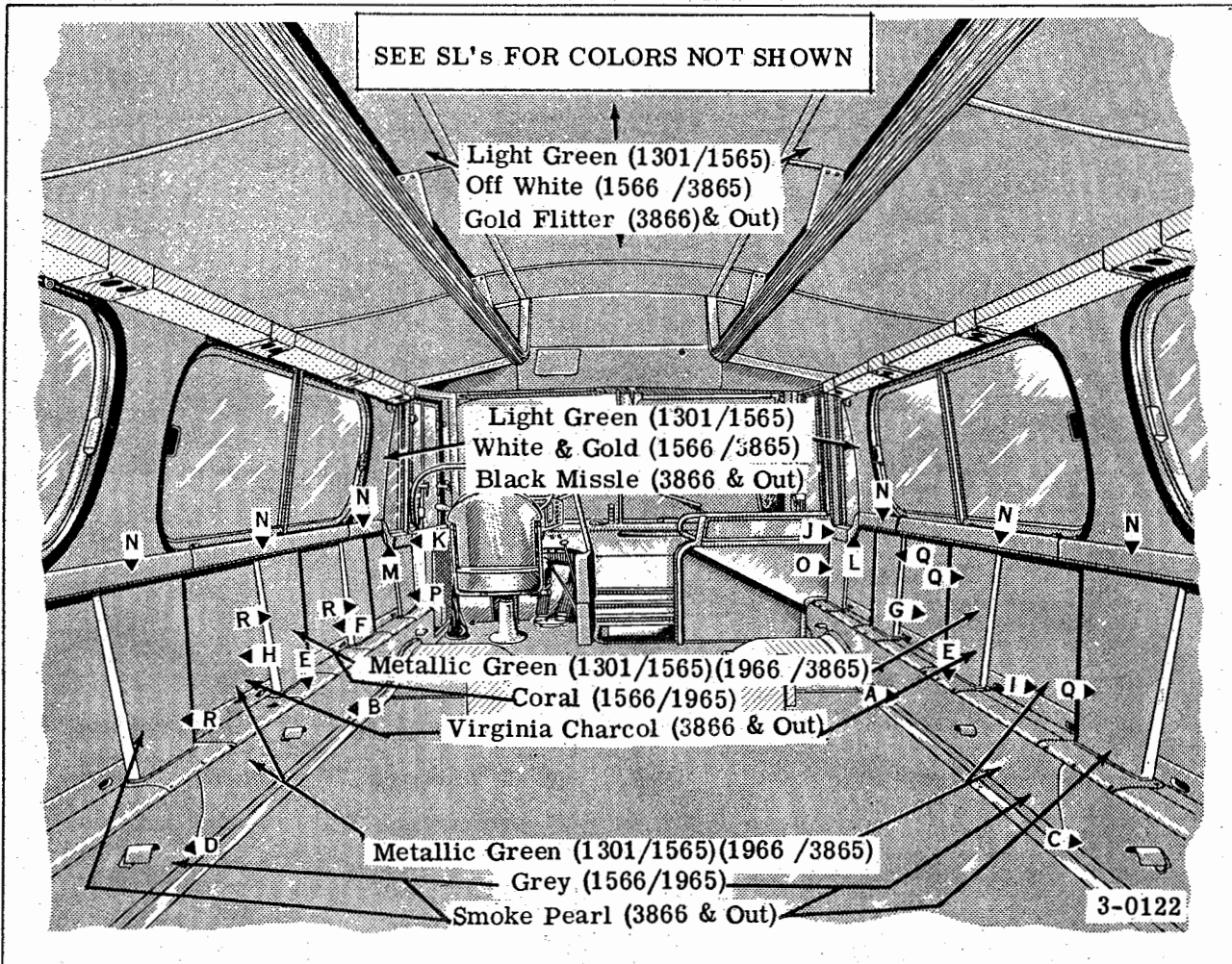
Key	Description	Group No.
A	DUCT - front R. H. (Floor to lower side trim panel)	25.7120
B	DUCT - front L. H. (Floor to lower side trim panel)	25.7120
C	DUCT - front R. H. inter. (Floor to lower side trim panel)	25.7120
D	DUCT - L. H. inter. (Floor to lower side trim panel)	25.7120
E	PLATE - scuff	25.8125
F	PANEL - side trim (#1 L. H. front)	25.8120
G	PANEL - side trim (#1 R. H. front)	25.8120
H	PANEL - side trim (#2 L. H. inter.)	25.8120
I	PANEL - side trim (#2 R. H. inter.)	25.8120
J	MOULDING - lower inside trim (L. H. front)	25.8110
K	MOULDING - lower inside trim (R. H. front)	25.8110
L	MOULDING -lower inside trim (Inter.)	25.8110
M	DUCT - vertical, L. H. front(#1)	25.7120
N	DUCT - vertical, R. H. front (#1)	25.7120
O	DUCT - vertical, L. H. (#2, 3, 4, 5)	25.7120
P	DUCT - vertical, R. H. (#2, 3, 4, 5)	25.7120
Q	GRILLE - L. H. (Vertical duct)	25.7145
R	GRILLE - R. H. (Vertical duct)	25.7145

BODY



Key	Description	Group No.
A	DUCT - rear R. H. (Floor to lower side trim panel)	25. 7120
B	DUCT - rear L. H. (Floor to lower side trim panel)	25. 7120
C	DUCT - rear R. H. inter. (Floor to lower side trim panel)	25. 7120
D	DUCT - L. H. inter. (Floor to lower side trim panel)	25. 7120
E	DUCT - front R. H. inter. (Floor to lower side trim panel)	25. 7120
F	PLATE - scuff	25. 8125
G	PANEL - side trim (L. H. rear)	25. 8120
H	PANEL - side trim (R. H. rear)	25. 8120
I	PANEL - side trim (L. H. inter.)	25. 8120
J	PANEL - side trim (R. H. inter.)	25. 8120
K	MOULDING - lower side trim (Front & rear of safety door)	25. 8110
L	MOULDING - lower side trim (Inter.)	25. 8110
M	DUCT - vertical, R. H. (#10, 9, 8, 7, 6)	25. 7120
N	DUCT - vertical, L. H. (#9, 8, 7, 6)	25. 7120
O	PANEL - lower side trim (At rear cross seat)	25. 8120
P	PANEL - lower side trim (At safety door)	25. 4945
Q	PANEL - rear cross seat (At heelboard)	25. 5970
R	GRILLE - R. H. (Vertical duct)	25. 7145
S	GRILLE - L. H. (Vertical duct)	25. 7145

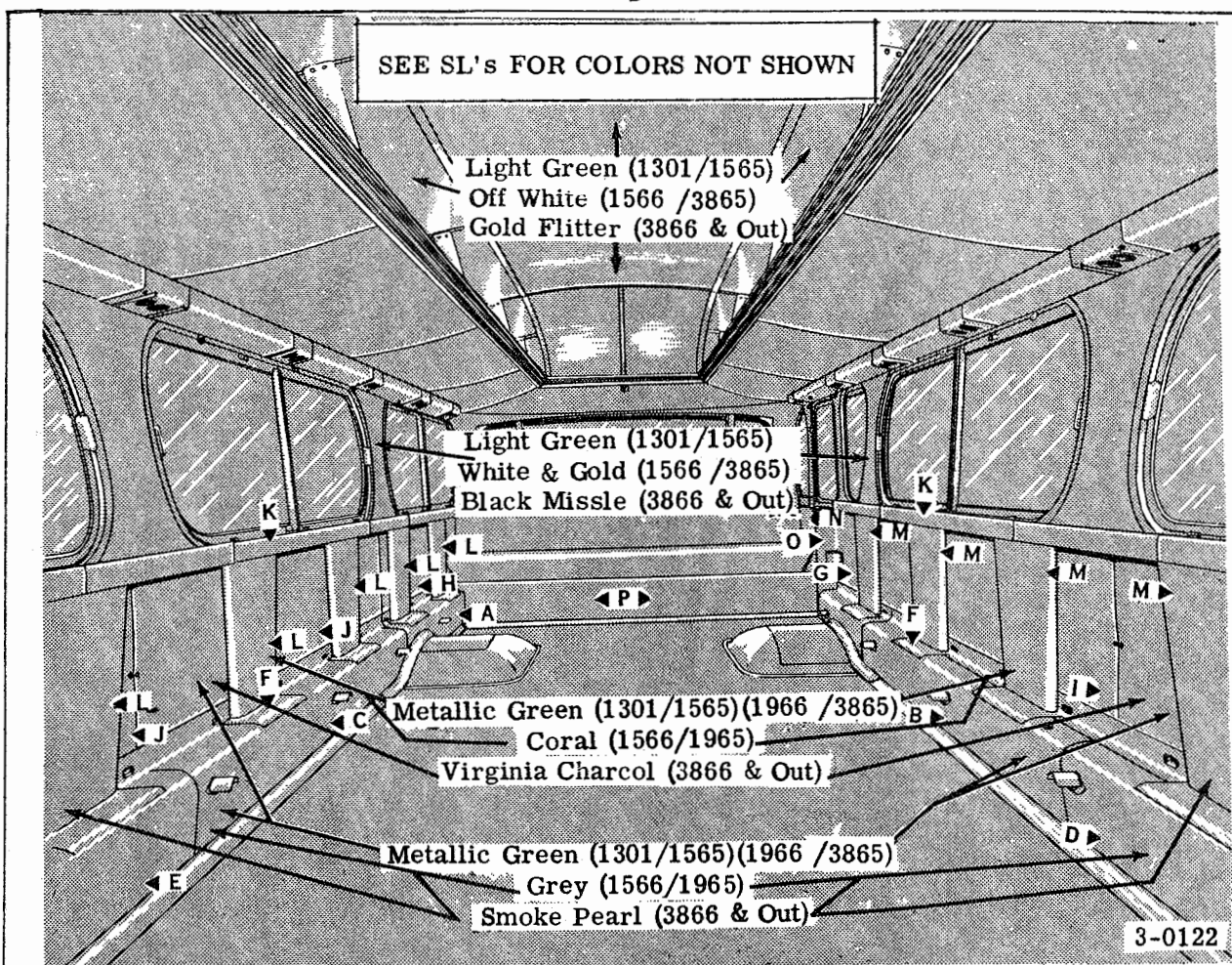
BODY



INTERIOR TRIM (FRONT VIEW)
(EFF. W/1301)

Key	Description	Group No.
A	DUCT - front R. H. (Floor to lower side trim panel)	25. 7120
B	DUCT - front L. H. (Floor to lower side trim panel)	25. 7120
C	DUCT - front R. H. inter. (Floor to lower side trim panel)	25. 7120
D	DUCT - L. H. inter. (Floor to lower side trim panel)	25. 7120
E	PLATE - scuff	25. 8125
F	PANEL - side trim (#1 L. H. front)	25. 8120
G	PANEL - side trim (#1 R. H. front)	25. 8120
H	PANEL - side trim (#2 L. H. inter.)	25. 8120
I	PANEL - side trim (#2 R. H. inter.)	25. 8120
J	MOULDING - lower inside trim (#1 R. H. window)	25. 8110
K	MOULDING - lower inside trim (#1 L. H. window)	25. 8110
L	MOULDING - lower inside trim (R. H. front inter.)	25. 8110
M	MOULDING - lower inside trim (L. H. front inter.)	25. 8110
N	MOULDING - lower inside trim (Inter-48" C. T. L.)	25. 8110
O	DUCT - vertical, front R. H. (#1)	25. 7120
P	DUCT - vertical, front L. H. (#1)	25. 7120
Q	DUCT - vertical, R. H. (#2, 3, 4)	25. 7120
R	DUCT - vertical, L. H. (#2, 3, 4)	25. 7120

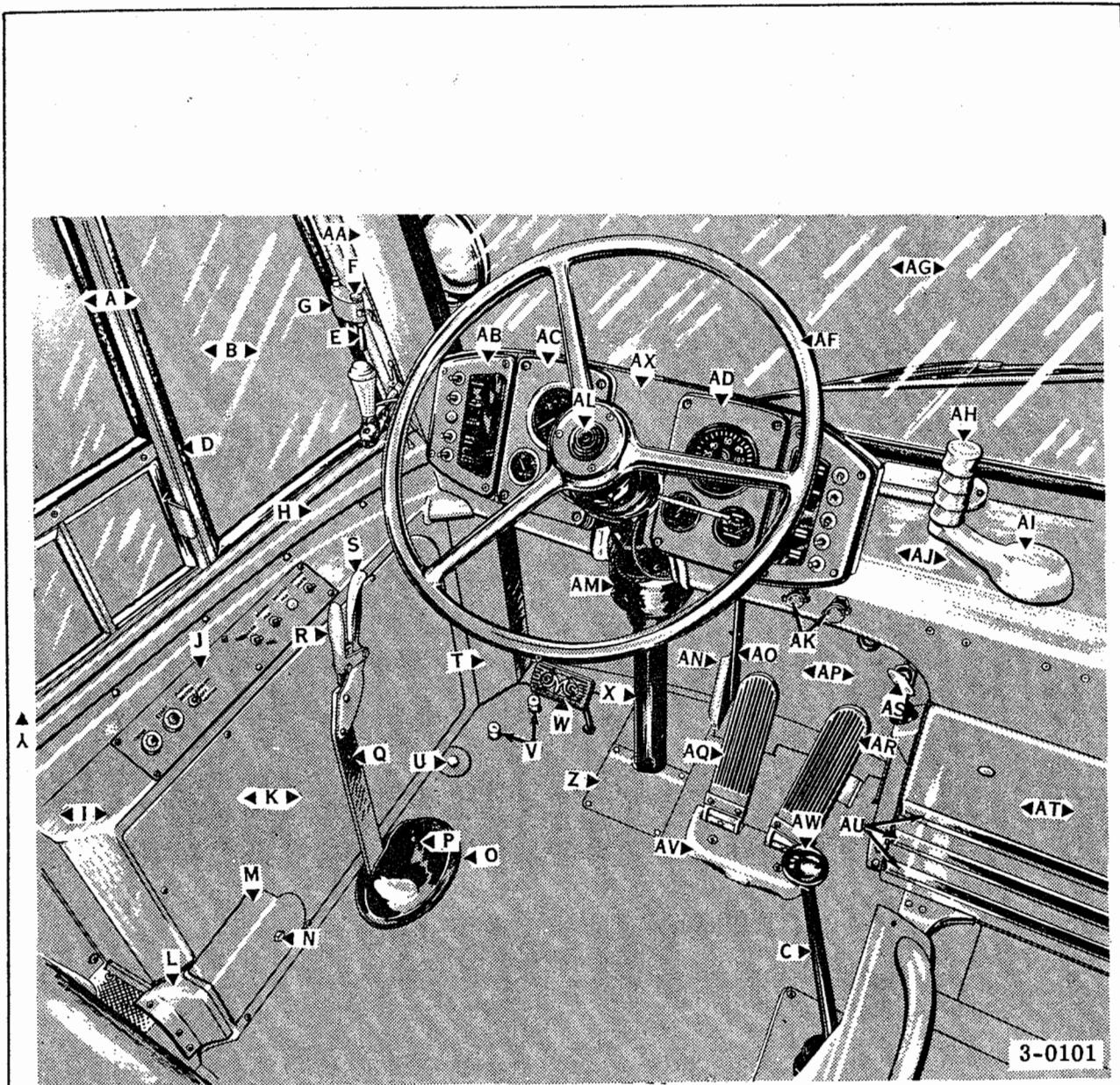
BODY



INTERIOR TRIM (REAR VIEW)
(EFF. W/1301)

Key	Description	Group No.
A	DUCT - rear R. H. (Floor to lower side trim panel)	25.7120
B	DUCT - rear L. H. (Floor to lower side trim panel)	25.7120
C	DUCT - rear R. H. Inter. (Floor to lower side trim panel)	25.7120
D	DUCT - L. H. inter (Floor to lower side trim panel)	25.7120
E	DUCT - front R. H. (Floor to lower side trim panel)	25.7120
F	PLATE - scuff	25.8125
G	PANEL - side trim (L. H. rear)	25.8120
H	PANEL - side trim (R. H. rear)	25.8120
I	PANEL - side trim (L. H. inter.)	25.8120
J	PANEL - side trim (R. H. inter.)	25.8120
K	MOULDING - lower side trim (Inter-48" C. T. L.)	25.8110
L	DUCT - vertical, R. H. (#10, 9, 8, 7, 6)	25.7120
M	DUCT - vertical, L. H. (#9, 8, 7, 6)	25.7120
N	PANEL - lower side trim (At rear cross seat)	25.8120
O	PANEL - lower side trim (At safety door)	25.4945
P	PANEL - lower side trim (At heelboard)	25.5970

BODY

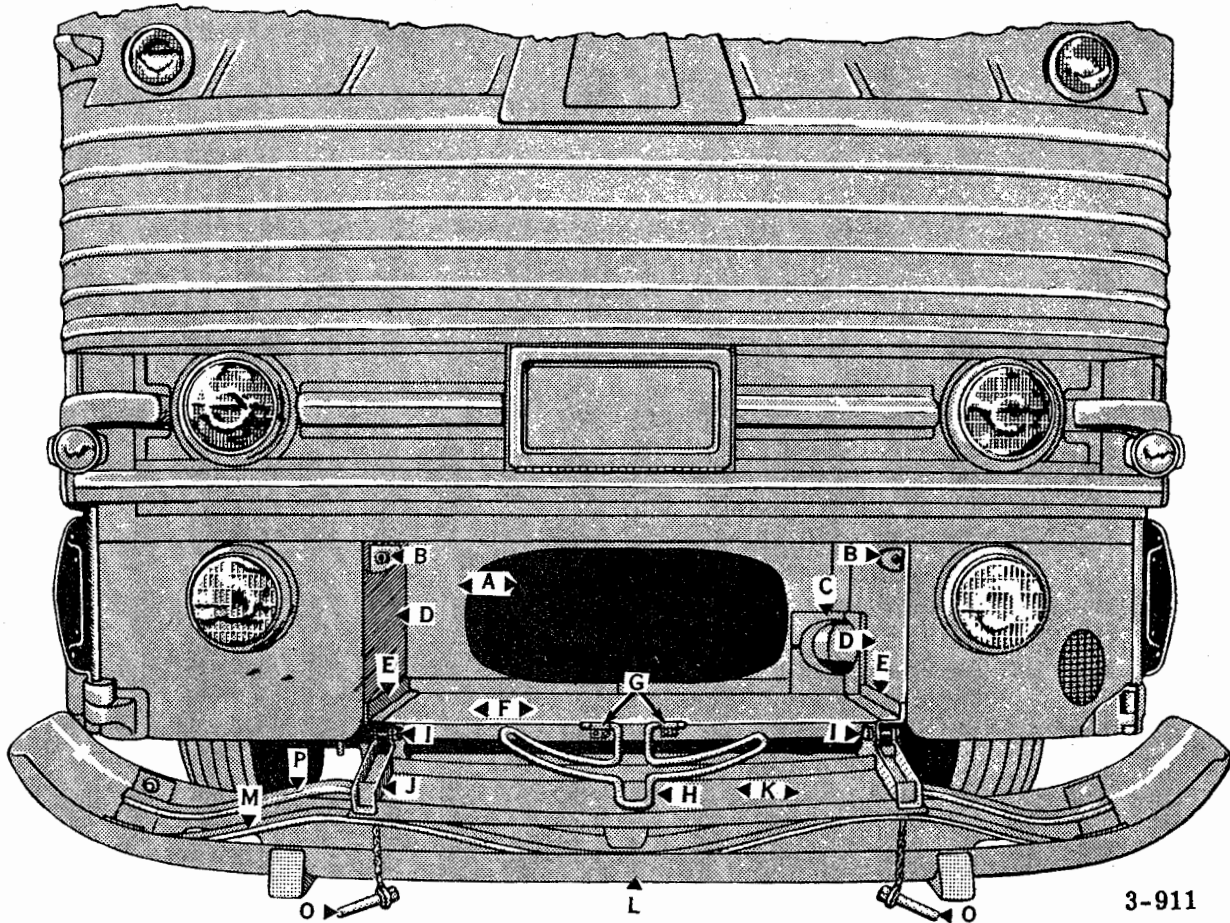


DRIVER'S COMPARTMENT

KEY TO DRIVER'S COMPARTMENT

Key	Description	Group No.
A	SASH - driver's window	25.5465
B	GLASS - driver's window (Swing section)	25.5510
C	LEVER - gear shift	17.2650
D	WEATHERSTRIP - driver's window sash	25.5590
E	HANDLE - driver's window sash regulator	25.5511
F	PIN - sash regulator - release	25.5527
G	REGULATOR - driver's sash - lower front	25.5533
H	PANEL - driver's window - inside	25.5525
I	HOUSING - driver's control panel	7.5075
J	PLATE - driver's control panel	7.5095
K	PLATE - mounting - control panel cover	7.5095
L	OUTLET - air, driver's	25.6630
M	COVER - air outlet	25.6415
N	DAMPER - (L. H.)	25.6430
O	RETAINER - hand lever boot	4.7235
P	BOOT - brake lever	4.6940
Q	LEVER - hand brake	4.7125
R	LEVER - finger	4.7120
S	HANDLE - hand brake lever	4.7104
T	PANEL - front	25.0075
U	BUTTON - air horn	N. S.
V	SWITCH - dimmer	7.6280
W	PEDAL - clutch	5.0690
X	JACKET - steering column - lower	16.0300
Y	PLATE - steering closure - front	16.0160
Z	PLATE - steering coluser - rear	16.0160
AA	CAPPING - corner post, L. H.	25.0027
AB	PANEL - instrument, L. H.	7.5088
AC	CLUSTER - instrument, L. H.	7.4980
AD	CLUSTER - instrument, R. H.	7.4980
AE	PANEL - instrument, R. H.	7.5088
AF	WHEEL - steering	16.0890
AG	GLASS - windshield	25.5445
AH	KNOB - door operating handle	25.5193
AI	HANDLE - front door operating	25.5185
AJ	LEDGE - windshield	25.0115
AK	VALVE - windshield wiper control	25.8765
AL	CAP - horn button	7.6870
AM	JACKET - steering column - upper	16.0300
AN	SUPPORT - front end panel, L. H.	25.0230
AO	ANGLE - L. H. upper, vertical	25.0080
AP	PANEL - front body, L. H.	25.0075
AQ	TREADLE - brake	4.5995
AR	PEDAL - accelerator	8.5500
AS	CONTROL - hand throttle	8.5820
AT	PANEL - front compartment closure	25.0690
AU	MOULDING - front compt. closure panel	25.0675
AV	REST - heel, accelerator	8.5580
AW	KNOB - gear shift lever	17.3010
AX	HOUSING - inst. panel	7.5077

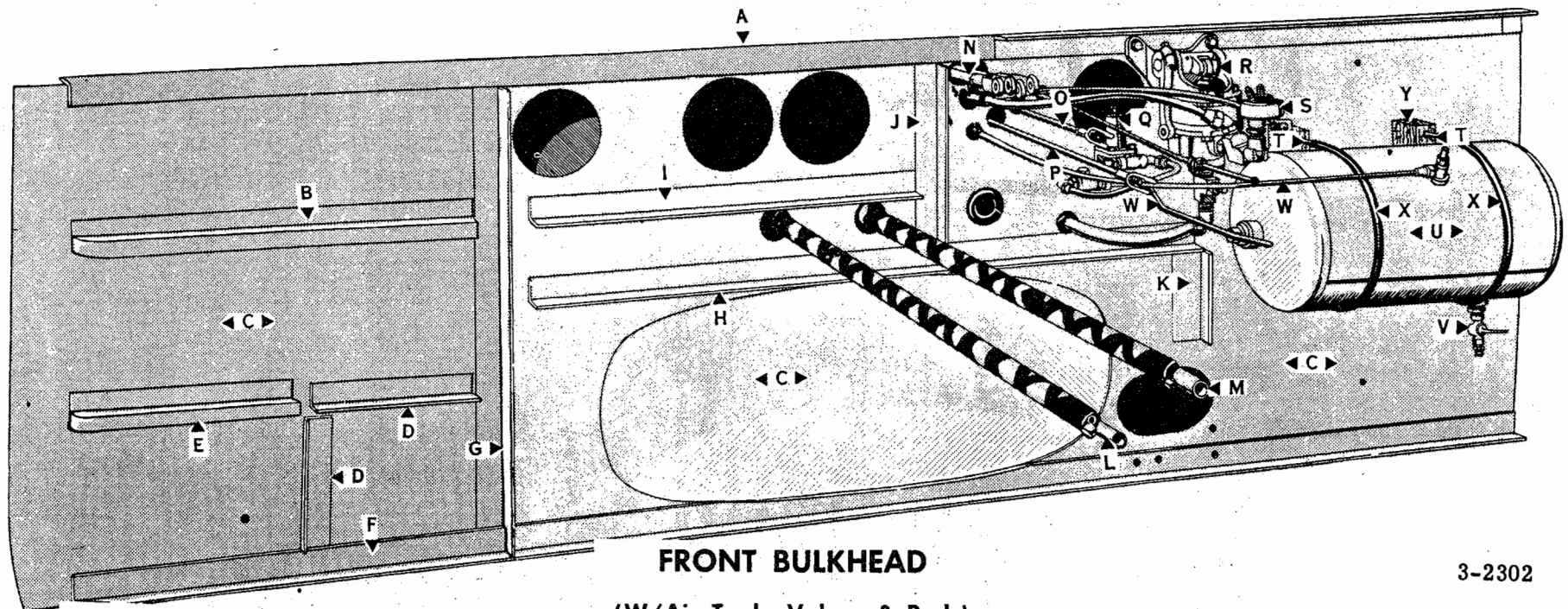
BODY



3-911

SPARE TIRE COMPARTMENT

Key	Description	Group No.
A	BULKHEAD - front axle front	25.4305
B	CHANNEL - tire compartment lock	25.0803
C	BRACKET - supporting, steering	16.3220
D	PANEL - tire compartment	25.0845
E	ANGLE - side panel	25.0760
F	PLATE - tire compt. - bottom	25.0867
G	PLATE - hinge, tire clamp	25.0865
H	CLAMP - spare tire	25.0757
I	PIN - compartment door hinge	25.0855
J	FRAME - compartment door	25.0833
K	PANEL - compartment door	25.0850
L	BAR - bumper, face	11.0360
M	BAR - bumper support, upper	11.0365
N	GUARD - bumper	11.0480
O	STUD - compt. door lock	25.0910
P	BAR - bumper support, lower	11.0365



FRONT BULKHEAD

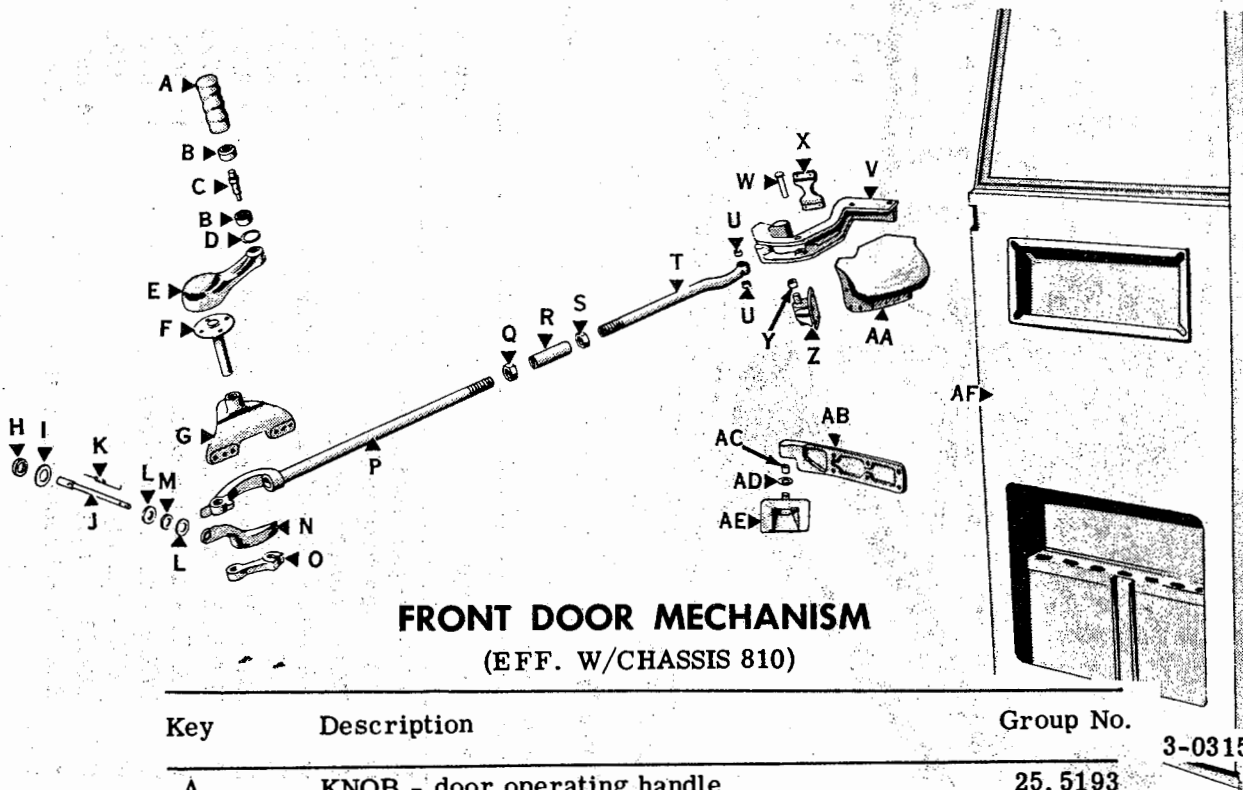
3-2302

(W/Air Tank, Valves & Rods)

BODY

Key	Description	Group No.	Key	Description	Group No.
A	ANGLE - (Upper Support)	25. 4310	N	ROD - transmission control	17. 3340
B	ZEE - upper, front stepwell	25. 4395	O	ROD - parking brake	4. 7260
C	PLATE - bulkhead	N. S.	P	ROD - clutch control	5. 0750
D	ANGLE - support (Lower step riser)	25. 4310	Q	VALVE - regulating, air pressure	4. 3708
E	ANGLE - stepwell (Z type)	25. 3910	R	VALVE - application	4. 3230
F	ANGLE - (Lower support)	25. 4310	S	SWITCH - pressure, stop lamp	7. 6360
G	ANGLE - (Supporting step)	25. 4310	T	U BOLT - air tank	14. 0520
H	ANGLE - (Tire compt.)	25. 4310	U	TANK - air suspension	14. 0460
I	ANGLE - (Upper step support)	25. 4310	V	COCK - drain, air tank	14. 0480
J	ANGLE - (Step riser support)	25. 4310	W	LINE - air (3/8 O. D.)	14. 0500
K	ANGLE - (To side sheet)	25. 4310	X	LOOM - u bolt	14. 0510
L	PIPE - heater supply	25. 6970	Y	BLOCK - (Procure Locally)	N. S.
M	PIPE - heater return	25. 6970			

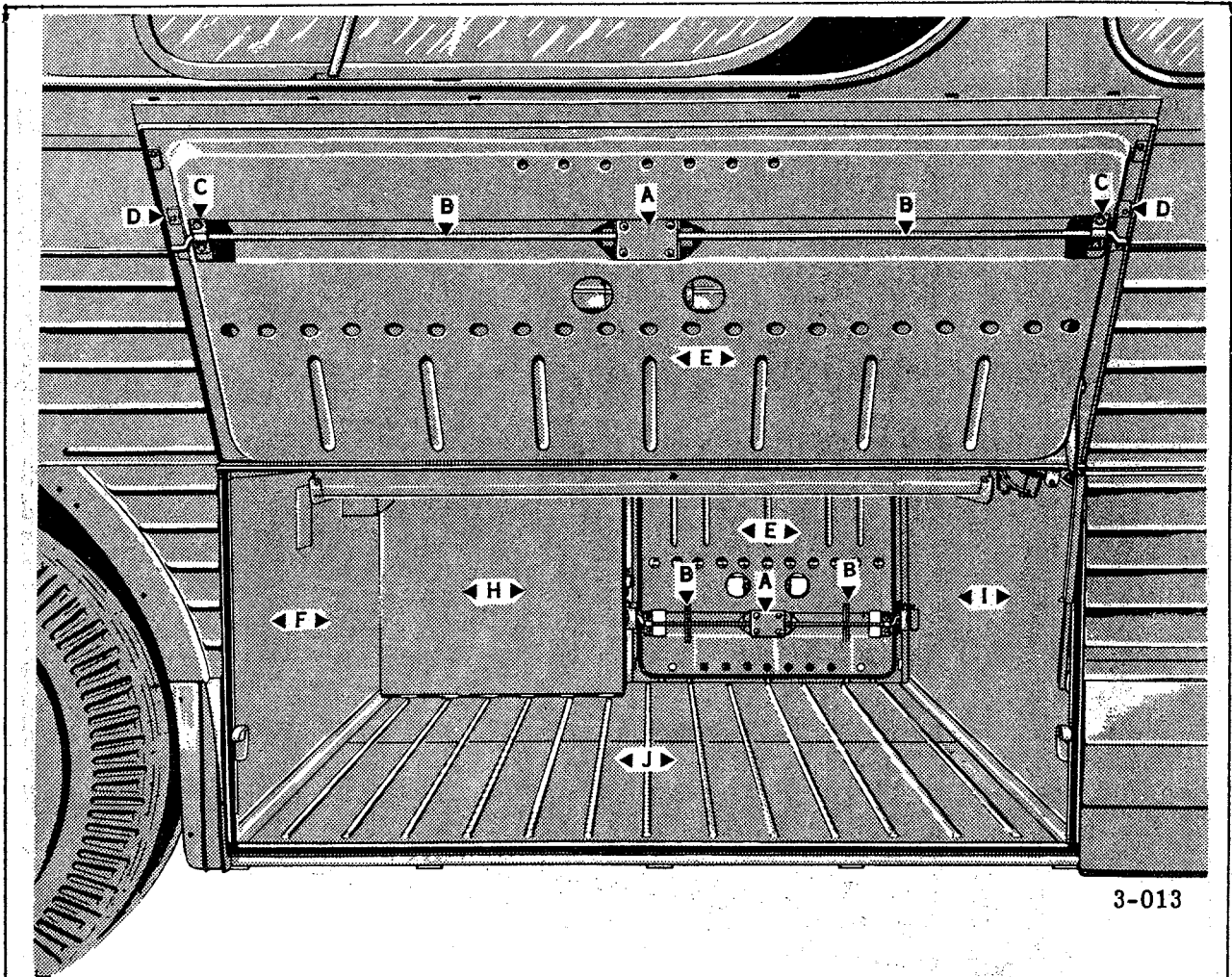
BODY



FRONT DOOR MECHANISM
(EFF. W/CHASSIS 810)

Key	Description	Group No.
A	KNOB - door operating handle	25. 5193
B	BEARING - door handle knob	25. 5127
C	PIN - door handle knob	25. 5215
D	RING - door handle knob bearing	25. 5227
E	HANDLE - front door operating	25. 5185
F	SHAFT - operating handle (W/plate)	25. 5255
G	BRACKET - door operating handle (W/brg.)	25. 5150
H	WASHER - felt	N. S.
I	WASHER - plain	20. 0795
J	ROD - door lock release	25. 5235
K	SPRING - outside release rod	25. 5280
L	WASHER - plain	20. 0795
M	GROMMET - outside release rod	25. 5183
N	LEVER - outside release rod - at handle shaft	25. 5200
O	LEVER - door control handle	25. 5200
P	ROD - door operating - outer	25. 5230
Q	NUT - rod turnbuckle, L. H.	25. 5203
R	TURNBUCKLE - door operating rod - 4" long	25. 5297
S	NUT - rod turnbuckle, R. H.	25. 5203
T	ROD - door operating (Inner)	25. 5230
U	BEARING - door operating rod (Inner)	25. 5130
V	HINGE - front door, upper (Door half)	25. 4665
W	PIN - operating rod (To door)	25. 5217
X	STOP - door bumper (Rubber)	25. 5283
Y	BEARING - front door hinge	25. 4607
Z	HINGE - front door - upper (Body half)	25. 4665
AA	GUARD - finger, upper hinge	25. 4657
AB	HINGE - front door, lower (Door half)	25. 4665
AC	BEARING - front door hinge	25. 4607
AD	WASHER - lower door hinge	25. 4813
AE	HINGE - front door, lower (Body half)	25. 4665
AF	DOOR - front	25. 4605

BODY

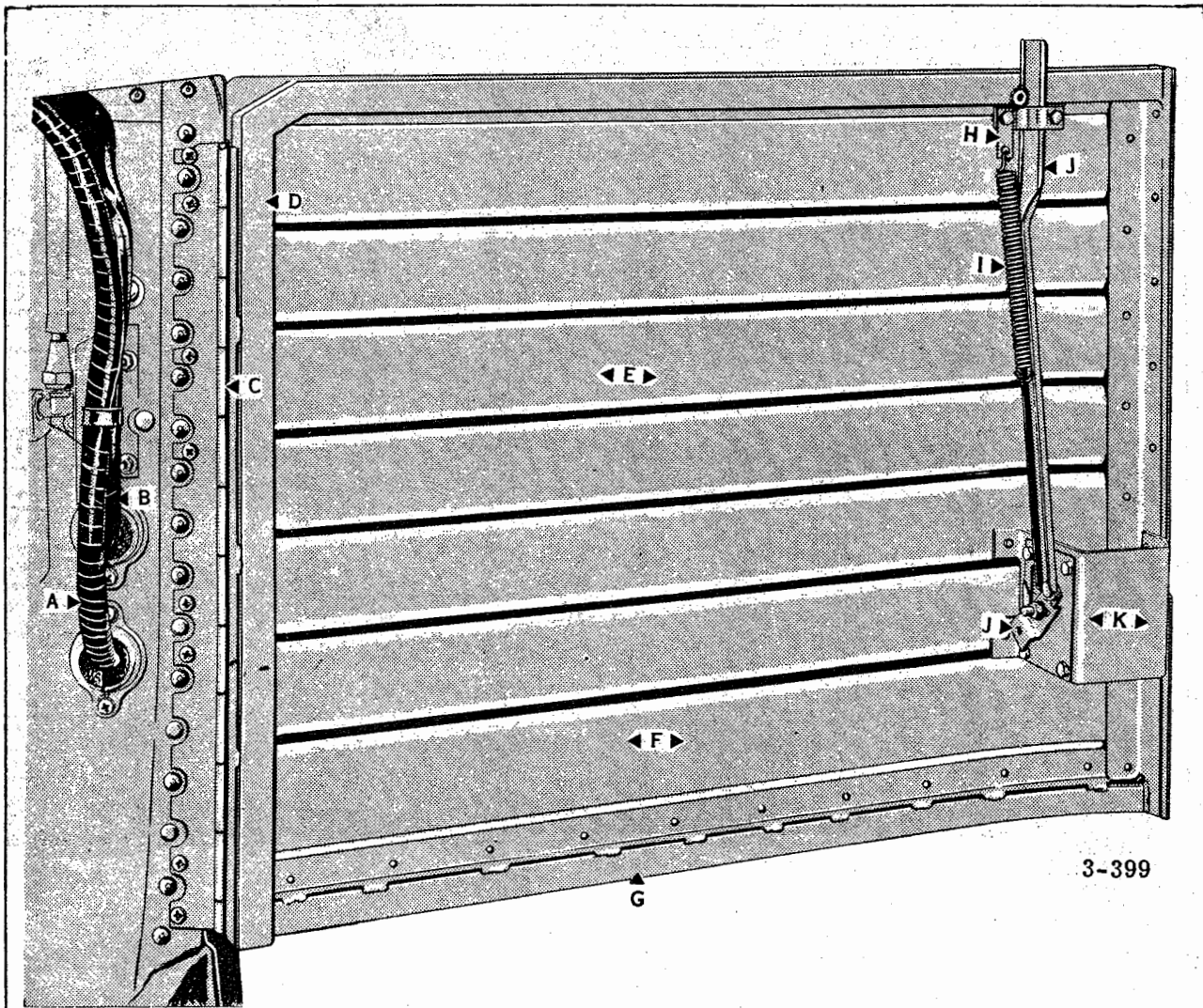


3-013

BAGGAGE COMPARTMENT DOOR

Key	Description	Group No.
A	HOUSING - baggage compt. door lock	25. 2873
B	ROD - door lock	25. 2960
C	CLIP - lock rod - end	25. 2833
D	STOP - lock rod	25. 3010
E	PANEL - inner, compt. door	25. 2890
F	BULKHEAD - rear axle - front	25. 4305
G	PLATE - striker, compt. door	25. 2920
H	PLATE - battery compt. wall	25. 2707
I	BULKHEAD - rear intermediate	25. 4305
J	FLOOR - baggage compt.	25. 2857

BODY



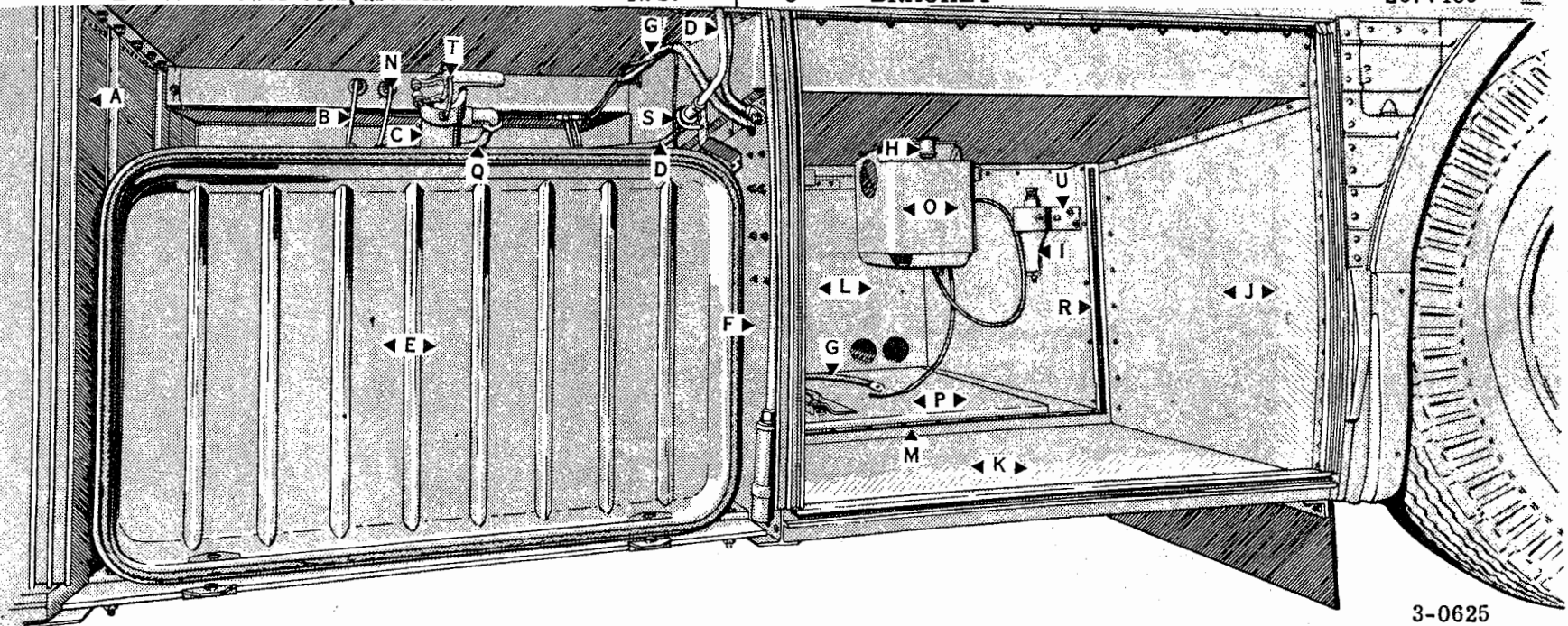
3-399

REAR R. H. SIDE CLOSURE DOOR

Key	Description	Group No.
A	HARNESS - wiring, generator	7. 8200
B	HARNESS - wiring, engine compartment	7. 8200
C	HINGE - door (Part of door frame)	N. S.
D	FRAME - door	25. 1493
E	PANEL - door upper	25. 1535
F	PANEL - door lower	25. 1535
G	EXTENSION - door panel	25. 1490
H	CLIP - door lock spring anchor	25. 1487
I	SPRING - door lock	25. 1600
J	LOCK - closure door	25. 1515
K	SUPPORT - door lock	25. 1607

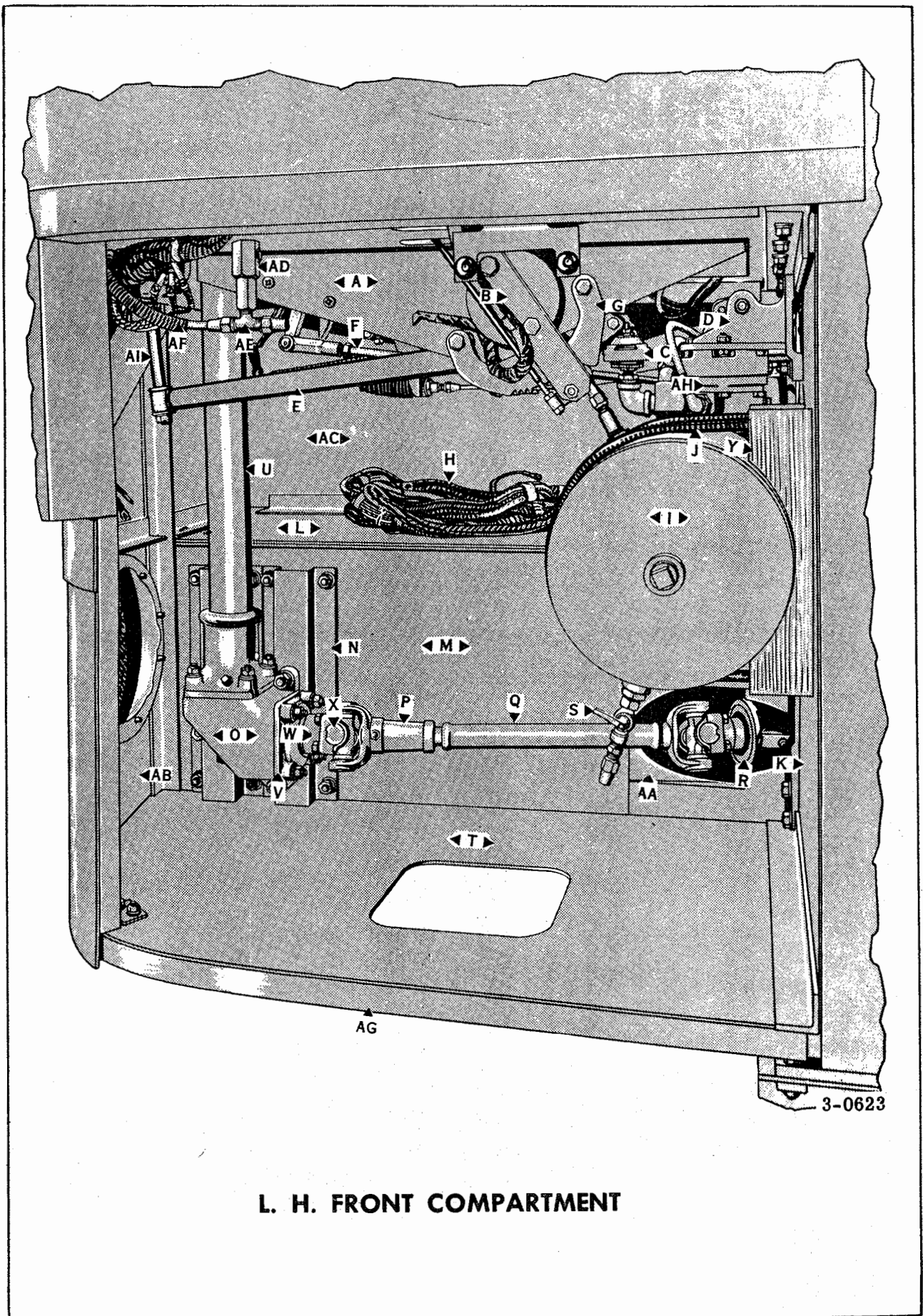
FUEL TANK AND R. H. FRONT COMPARTMENT

Key	Description	Group No.	Key	Description	Group No.
A	BULKHEAD (Front inter.)	25.4305	L	BULKHEAD - longitudinal (Air Cond.)	26.2675
B	LINE - fuel supply	12.0420	M	PANEL (Lower)	26.2810
C	NECK - (W/cap)	12.0190	N	LINE - fuel return	12.0185
D	LINE - fuel (Whistle)	12.0185	O	HOUSING	25.7505
E	TANK - fuel	12.0010	P	PANEL (Upper)	26.2810
F	BULKHEAD - (Fuel tank)	25.4305	Q	LINE - fuel (Vent)	12.0185
G	HARNESS - wiring, blower motor	7.8200	R	CHANNEL - bulkhead (Air duct front R. H.)	25.4323
H	VALVE - water modulation	25.7615	S	VALVE - check	12.0405
I	VALVE - pressure regulating	25.7615	T	CAP	12.0110
J	BULKHEAD - (Front axle rear)	25.4305	U	BRACKET	25.7435
K	FLOOR - blower compartment	N. S.			



3-0625

BODY

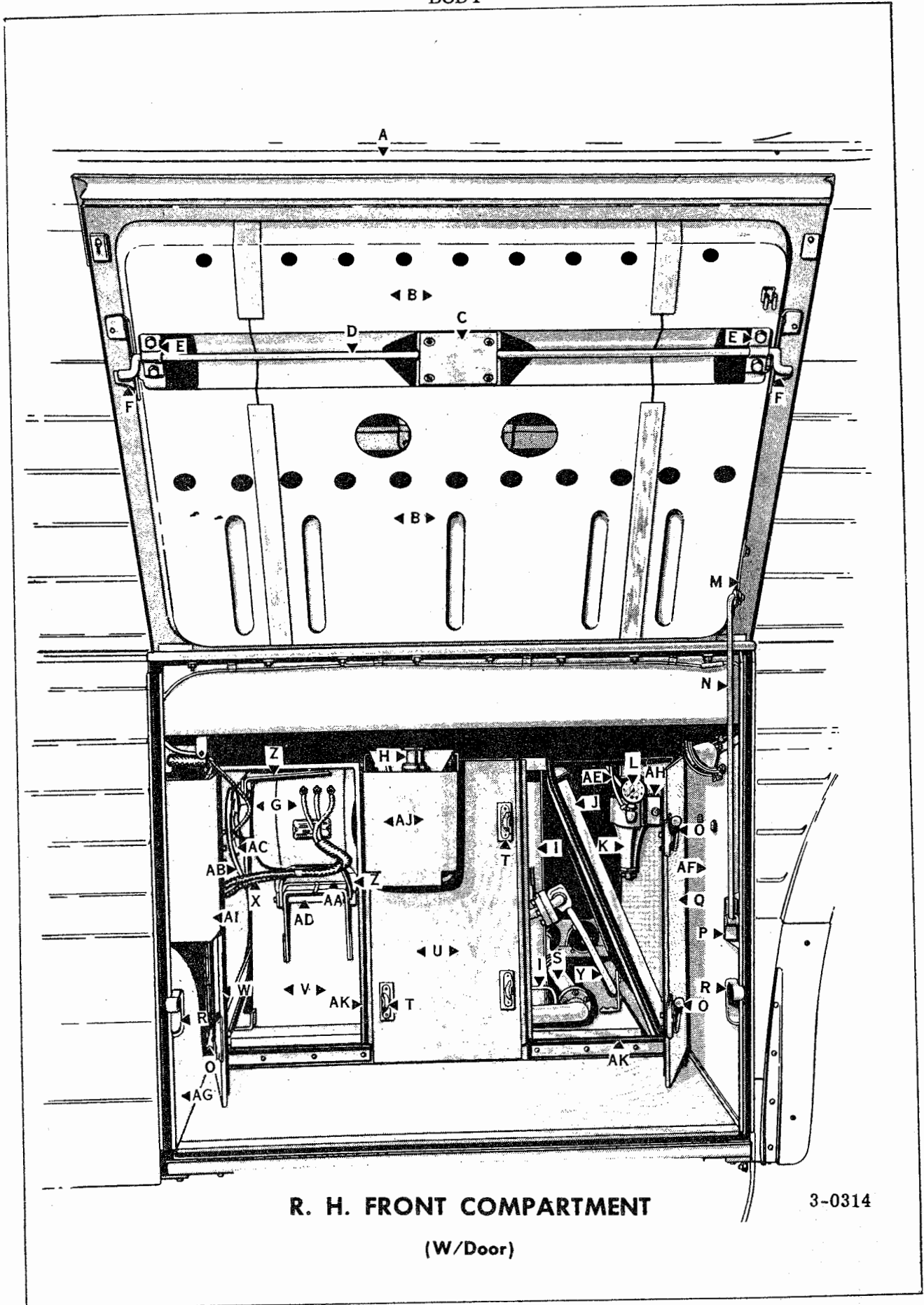


L. H. FRONT COMPARTMENT

KEY TO L. H. FRONT COMPARTMENT

Key	Description	Group No.
A	SUPPORT - parking brake cross shaft	4. 7435
B	LEVER - parking brake	4. 7125
C	SWITCH - stop lamp (Pressure)	7. 6360
D	BRACKET - application valve mtg.	4. 3270
E	LEVER - clutch pedal	5. 0620
F	ROD - brake treadle	4. 5895
G	SECTOR - parking brake	4. 7315
H	HARNESS - wiring, headlamp	7. 8200
I	TANK - air suspension	14. 0460
J	U BOLT - air tank	14. 0520
K	BULKHEAD - front axle front	25. 4305
L	PLATE - tire compartment (Top)	25. 0867
M	PANEL - tire compartment, L. H. side	25. 0845
N	BRACE - lower steering column	16. 0030
O	HOUSING	16. 3070
P	YOKE - sleeve	16. 3350
Q	TUBE	16. 3320
R	BEARING - center, strg. prop. shaft	16. 3200
S	COCK - drain, air tank	14. 0480
T	PLATE - tire compartment (Bottom)	25. 0867
U	JACKET - lower	16. 0300
V	RETAINER	16. 3110
W	YOKE (At bevel gear)	16. 3350
X	JOURNAL	16. 3260
Y	BLOCK - air tank mtg.	N. S.
AA	BRACKET	16. 3220
AB	PANEL (L. H. foglamp)	25. 0075
AC	PANEL (L. H. upper)	25. 0075
AD	VALVE - operating, air horn	7. 7190
AE	TEE	7. 7185
AF	LINE (3/8 OD)	7. 7010
AG	REINFORCEMENT (L. H.)	25. 0877
AH	VALVE - application	4. 3230
AI	PEDAL - clutch	5. 0690

BODY



R. H. FRONT COMPARTMENT

(W/Door)

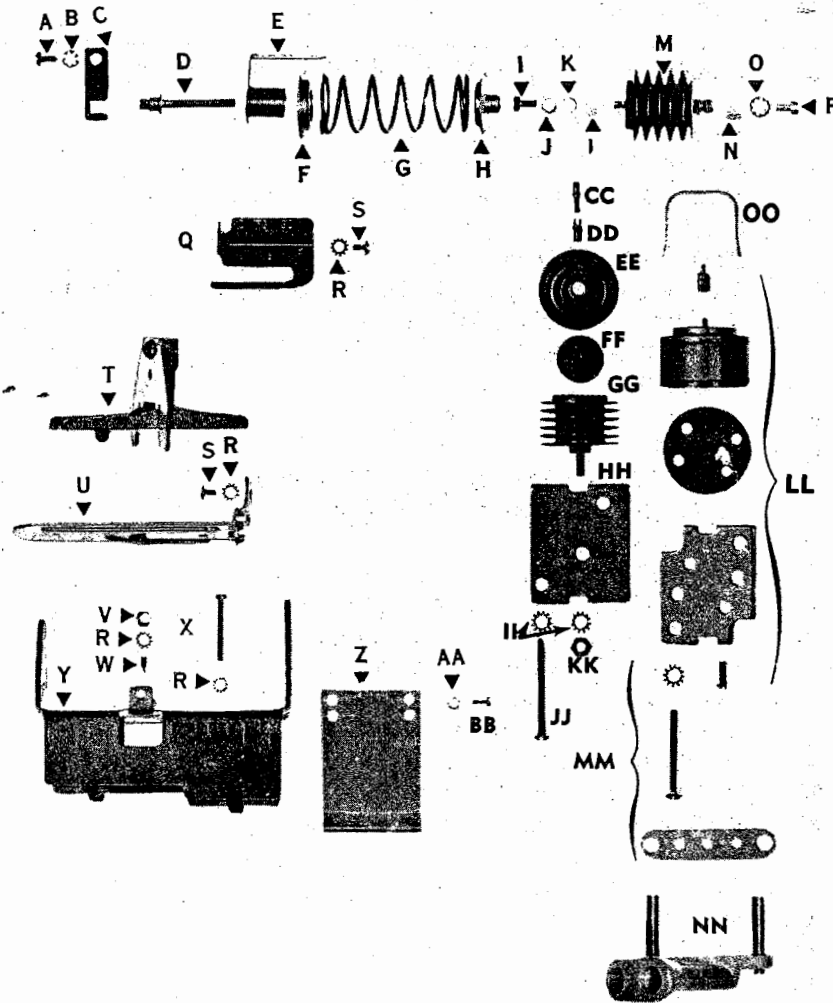
3-0314

KEY TO R. H. FRONT COMPARTMENT

(W/Door)

Key	Description	Group No.
A	DOOR - compt., R. H. front (Rear of R. H. front W/H)	25. 3100
B	PANEL - R. H. front (Inner)	25. 3124
C	HOUSING - R. H. front door	25. 3118
D	ROD - R. H. front door	25. 3138
E	CLIP	25. 3108
F	STOP - R. H. front door	25. 3148
G	MOTOR - blower, (Underfloor heating & evaporator)	25. 6590
H	VALVE - water modulation	25. 7615
I	EVAPORATOR	26. 9380
J	FILTER - air	25. 6490
K	VALVE - pressure regulating	25. 7615
L	GAUGE	25. 7487
M	BRACKET - upper (R. H. front door)	25. 3102
N	SUPPORT - (R. H. front door)	25. 3156
O	FASTENER	N. S.
P	BRACKET - supt., (R. H. front door)	25. 3102
Q	DOOR - front (Blower compt.)	N. S.
R	PLATE - striker (R. H. front door)	25. 3128
S	HOSE - refrigerant (Suction)	26. 9545
T	CATCH - fastener	N. S.
U	DOOR - center (Blower compt.)	N. S.
V	HOUSING - blower	25. 6550
W	DOOR - rear (Blower compt.)	N. S.
X	HARNES - wiring, blower motor	7. 8200
Y	LINE - freon	26. 9363
Z	BRACKET - adj.	25. 6285
AA	SUPPORT	25. 6920
AB	BELT	25. 6215
AC	PULLEY	25. 6700
AD	SHAFT - motor support	25. 6830
AE	LINE -(1/4 O. D.)	25. 7525
AF	BULKHEAD (Front axle, rear)	25. 4305
AG	BULKHEAD (Fuel tank)	25. 4305
AH	BRACKET	25. 7435
AI	BRACKET	7. 6389
AJ	HOUSING	25. 7505
AK	SEAL - blower compt. door	26. 2905

BODY



GRADUSTAT (2282847-2340294)

KEY TO GRADUSTAT (2282847-2340294)

Key	Description	Group No.
A	Screw - adj. screw lock mtg. (#6-32 x 5/16 rd. hd. mach. pltd.)	N. S.
B	Washer - adj. screw lock mtg. (#6 int. toothed lock)	N. S.
C	Lock	25. 7523
D	Screw - adj., heating gradustat	25. 7567
E	Indicator	25. 7511
F	Nut	25. 7536
G	Spring -main	25. 7576
H	Plug	25. 7557
I	Screw - L. H. mtg., main bellows	25. 7567
J	Washer - L. H., main bellows screw (#8 lock)	20. 0820
K	Washer - main bellows mtg. screw (Plain)	25. 7622
L	Bushing - L. H.	25. 7441
M	Bellows - main	25. 7384
N	Bushing - R. H.	25. 7441
O	Washer - R. H., main bellows screw (#8 int. toothed lock)	N. S.
P	Screw - R. H., mtg. main bellows (#8-32 x 3/16 fil. hd. mach)	N. S.
Q	Bracket - scale	25. 7427
R	Washer - (#6 ext. toothed lock)	N. S.
S	Screw - mtg. (#6-32 x 3/16 rd. hd. mach. brass)	N. S.
T	Lever - main	25. 7522
U	Lever - secondary	25. 7522
V	Nut - pivot screw (#6-32 brass)	N. S.
W	Screw - pivot	25. 7567
X	Screw - connector block (See Kit)	25. 7512E
Y	Frame	N. S.
Z	Kit - bracket (W/2340294 Gradustat)	25. 7512E
AA	Washer - lock, mtg. brkt. (#6 lock)(W/2340294 Gradustat)	20. 0820
BB	Screw - mtg. brkt. (#6-32 x 1/4 fil. hd. mach.)(W/2340294 Gradustat)	N. S.
CC	Screw - aux. bellows	25. 7567
DD	Shaft - linkage, aux. bellows	25. 7568
EE	Cover - aux. bellows	25. 7463
FF	Disc - aux. bellows	25. 7472
GG	Bellows - auxiliary	25. 7384
HH	Plate - mtg., aux. bellows	25. 7544
II	Washer - mtg. plate (#8 ext. toothed lock)	N. S.
JJ	Screw - mtg. plate (#8-32 x 1-1/2 rd. hd. mach. brass)	N. S.
LL	Valve	25. 7621
MM	Kit - gasket	25. 7512
NN	Block - (Part of 2340294 Gradustat)	25. 7384M
OO	Support	25. 7592

FRONT END ASSEMBLY

25.0005 1 2307255 END-front-complete-incl. posts, panels, etc. complete.

FRONT BODY POSTS

25.0010 1 2296219 POST-front body-RH front corner.
 25.0010 1 2296220 POST-front body-LH front corner.
 25.0027 1 2300392 CAPPING-front corner post-RH.
 25.0027 1 2300393 CAPPING-front corner post-LH.
 25.0030 1 2299185 COVER-front body post-RH corner.

FRONT BODY PANELS

25.0075 1 2297068 PANEL-front body-LH front upper.
 25.0075 1 2297883 PANEL-front body-lower.
 25.0075 1 2297319 PANEL-front body-center-fluted.
 25.0075 1 2297887 PANEL-front body-at fog lamp-RH.
 25.0075 1 2297888 PANEL-front body-at fog lamp-LH
 25.0080 1 2298092 ANGLE-front body panel-LH support-vertical.
 25.0080 1 2298040 ANGLE-front body panel-RH upper-vertical.
 25.0080 1 2298041 ANGLE-front body panel-LH upper-vertical.
 25.0083 1 2303086 BRACE-w/s ledge support channel-to w/s ledge.
 25.0083 1 2303087 BRACE-w/s ledge support channel-to front panel angle.
 25.0090 1 2302349 CHANNEL-w/s ledge support-RH to floor. Incl. angle & plate.
 25.0090 1 2315268 CHANNEL-w/s ledge support-LH to floor. Incl. 2 plates welded. Channel is
 20-13/16 in. long. Repl. 2302329.
 □ 25.0115 1 2360696 LEDGE-windshield-prior to chassis #810. Also see SL-11958. Repl. 2297333.
 25.0115 1 2314168 LEDGE-windshield-eff. w/chassis #810/2366. Also see SL-11958.
 25.0115 1 2360696 LEDGE-windshield-eff. w/chassis #2366.
 25.0125 1 2298059 MOULDING-front end-trim-RH front. Above headlamp.
 25.0125 1 2298060 MOULDING-front end-trim-LH front. Above headlamp.
 25.0125 2 2298057 MOULDING-front end-trim-W/s corner post.
 □ 25.0135 4 2287937 NUT-speed, front end name plate-to base plate rivet. Stpd T & 032 on face.
 25.0165 1 2295206 PANEL-windshield
 25.0170 1 2301261 PLATE-name front end.
 25.0170 1 2302271 PLATE-name front end-base.
 25.0175 1 2302269 PLATE-ornamental front end-RH inter.
 25.0175 1 2302270 PLATE-ornamental front end-LH inter.
 25.0183 1 2297858 RAIL-trim front end-upper RH outer.
 25.0183 1 2299174 RAIL-trim front end-upper LH outer.
 25.0183 2 2297882 RAIL-trim front end-upper inner.
 25.0183 1 2298401 RAIL-trim front end-lower.
 25.0185 1 2298380 REINFORCEMENT-front panel-W/s panel to fluted panel-RH.
 25.0185 1 2298381 REINFORCEMENT-front panel-W/s panel to fluted panel-center.
 25.0185 1 2298367 REINFORCEMENT-front panel-front lower to fog lamp panel-RH.
 25.0185 1 2298030 REINFORCEMENT-front panel-front lower to fog lamp panel-LH.
 25.0185 1 2300376 REINFORCEMENT-front panel-at front door lower hinge.
 25.0187 1 2320196 REINFORCEMENT-windshield-center.
 25.0190 1 2304340 REINFORCEMENT-windshield ledge-prior to chassis #2366.
 25.0190 1 2360955 REINFORCEMENT-windshield ledge-eff. w/chassis #2366.
 25.0213 5 2227417 RIVET-W/s ledge-to post.
 25.0217 16 2228368 RIVNUT-front panel-fog lamp panel. 7/16 in. long.
 25.0223 AR R 35543 SEAL-front end name plate-base plate-50-1/4 in. req'd.
 25.0230 1 2298724 SUPPORT-front end panel-fog lamp panel to bottom plate reinf.
 25.0230 1 2298042 SUPPORT-front end panel-RH upper vertical angle.
 25.0230 1 2298043 SUPPORT-front end panel-LH upper vertical angle.

FRONT END DASH PANELS

25.0235 1 2293398 PANEL-dash-upper.
 25.0235 1 2297292 PANEL-dash-lower.
 25.0237 AR 2335108 ANGLE-lower dash panel-support. 1-1/4 x 1-1/4 alum. x 3 ft. to bottom plate
 SBF.

FRONT LICENSE MOUNTING

25.0480	2	2044739	BUMPER-front license plate cover.
25.0490	1	2299169	CHANNEL-front license plate holder-RH.
25.0490	1	2299170	CHANNEL-front license plate holder-LH.
25.0510	1	2298930	COVER-front license plate.
25.0520	1	2294095	DOOR-front license plate holder-incl. hinge access.
25.0535	1	2288900	GROMMET-front license plate holder lock release-rod.
25.0540	1	2298940	HINGE-front license plate cover.
25.0565	1	2299167	LOCK-front license plate cover-incl. spring.
25.0575	1	2304622	PLATE-front license plate holder stop-RH.
25.0575	1	2304623	PLATE-front license plate holder stop-LH.
25.0580	1	2298923	PLATE-striker, front license plate cover lock.
25.0585	3	2294104	RETAINER-front license plate.
25.0590	1	2299267	ROD-front license plate holder-stop.
25.0590	AR	R 34266	ROD-front license plate holder-lock release. 1 ft. req'd.
25.0595	1	2298942	SPRING-front license plate cover lock.
25.0600	2	699983	SPRING-front license plate holder.

FRONT COMPARTMENT

25.0615	1	2361914	BRACKET-front compt. door lock-mtg. Eff W/chassis #2366
25.0615	2	2300769	BRACKET-front compt. door latch or lock-latch prior to chassis #2366.
25.0620	4	2034412	BUMPER-front compartment door-Repl. 2203145. Prior to chassis #1966.
25.0620	2	2023785	BUMPER-front compartment door-rubber. Eff. w/chassis 1966/2366.
25.0623	1	2302258	CHAIN-front compartment door.
25.0625	2	2305772	CHANNEL-front compt.-door. Eff. w/chassis 1966. Rivet 3/16 x 3/8 mush. hd.
25.0640	1	2300782	DOOR-front compartment-incl. hinges, brkts, clip & retainer. Prior to chassis 1966.
25.0640	1	2358678	DOOR-front compartment-complete. W/hinge, channel, fire axe head brkt. & latch. Eff. w/chassis 1966/2366.
25.0640	1	2360973	DOOR-front compartment-complete. Incl. reinforcement w/hinge & rivets. Eff. w/chassis #2366.
25.0663	1	2361919	HANDLE-front compartment door-eff. w/chassis #2366.
25.0665	2	2303095	HINGE-front compartment door-prior to chassis 2366.
25.0670	2	2307884	LATCH-front compartment door-prior to chassis 1966.
25.0670	1	2359447	LATCH-front compartment door-incl. pawl & knob. Eff. w/chassis 1966/2366.
25.0673	1	2255176	LOCK-front compartment door-eff. w/chassis 2366.
25.0675	3	2300772	MOULDING-front compartment-closure panel.
25.0680	3	2300772	MOULDING-front compartment door.
25.0690	1	2300752	PANEL-front compartment-closure.
□ 25.0690	1	2305778	PANEL-front compartment-RH. Eff. w/chassis 1966/2366.
25.0690	1	2360594	PANEL-front compartment-RH eff. w/chassis #2366.
25.0697	2	2300771	PIN-front compartment door hinge.
25.0710	1	2301870	REINFORCEMENT-front compartment-plate.
25.0710	1	2360745	REINFORCEMENT-front compartment-W/hinge. Eff. w/chassis 2366.
25.0715	AR	R 32975	RETAINER-front compartment door moulding-.988 in. wide. 7 ft. req'd.
25.0720	3	2300751	RETAINER-front compartment moulding-closure panel.
25.0722	6	2360269	RIVET-front compartment door-reinf. Eff. w/chassis #2366.
25.0725	6	2314068	RIVET-front compartment door moulding retainer-also reinf. to door. Eff. w/ chassis #2366.
25.0727	3	2227417	RIVET-front compartment panel-to RH corner post.
25.0750	2	2300770	SUPPORT-front compartment door-hinge pin.
25.0750	2	2300396	SUPPORT-front compartment door-bumper & latch. Prior to chassis 1966.
25.0750	2	2358680	SUPPORT-front compartment door-bumper & latch. Eff. w/1966/2366.

SPARE TIRE COMPARTMENT

25.0757	1	2297312	ANGLE-tire compartment bottom plate-RH front.
25.0757	1	2297313	ANGLE-tire compartment bottom plate-LH front.
25.0760	AR	R 32874	ANGLE-tire compartment side panel-RH inner to bottom plate. 2 ft. req'd.
25.0760	AR	R 32760	ANGLE-tire compartment side panel-LH inner to bottom plate. 2 ft. req'd.
25.0760	AR	2224657	ANGLE-tire compartment side panel-RH outer to bottom plate. 15 in. long-CTL.
□ 25.0763	AR	2335108	ANGLE-tire compartment top plate-support 3 ft. long. SBF.
25.0763	AR	R 33732	ANGLE-tire compartment top plate-front support. 4 ft. req'd.
25.0763	AR	R 32165	ANGLE-tire compartment top plate-to #4 step riser. 3 ft. req'd.
25.0793	1	2297316	CHANNEL-tire compartment bottom plate-front support.
□ 25.0793	AR	R 35020	CHANNEL-tire compartment bottom plate-center support. 4 ft. req'd. SBF.

25.0795	1	2297303	CHANNEL-tire compartment door-support. RH incl. plates, clip & spacers.
25.0795	1	2297304	CHANNEL-tire compartment door-support. LH incl. plates, clip & spacers.
25.0803	1	2297849	CHANNEL-tire compartment lock-RH. Incl plates & spacers.
25.0803	1	2297850	CHANNEL-tire compartment lock-LH. Incl plates & spacers.
25.0815	1	2301248	CLAMP-spre tire.
25.0830	1	2066429	DOOR-tire compartment inspection.
25.0833	1	2298089	FRAME-tire compartment door.
25.0840	2	2298736	NUT-tire compartment door lock stud.-Incl. bracket.
25.0845	1	2297288	PANEL-tire compartment-RH side.
25.0845	1	2297317	PANEL-tire compartment-LH side.
25.0850	1	2298091	PANEL-tire compartment door.
25.0855	2	2297869	PIN-tire compartment door hinge.
25.0865	2	2301249	PLATE-spare tire clamp bolt-hinge.
25.0867	1	2297020	PLATE-tire compartment-bottom.
25.0867	1	2297318	PLATE-tire compartment-top.
25.0875	1	2297309	POST-tire compartment side panel-RH front lower.
25.0875	1	2297310	POST-tire compartment side panel-LH front lower.
25.0877	1	2297314	REINFORCEMENT-tire compt. bottom plate-LH.
25.0877	1	2297320	REINFORCEMENT-tire compt. bottom plate-RH.
25.0883	28	2296527	RIVET-tire compartment door panel.
25.0895	2	R 33646	SPACER-tire compt. sliding inspection door support. 2 ft. req'd. SBF.
25.0910	2	2298730	STUD-tire compartment door lock-Incl. chain.
25.0915	2	2066430	SUPPORT-tire compt. sliding inspection door.

REAR ENDREAR BODY PANELS

□25.1035	1	2298363	ANGLE-rear body panel-lower support. Above radiator door. 22-27/32 in. long. Prior to chassis #3866.
□25.1035	1	2360999	ANGLE-rear body panel-lower support. Above radiator door. 22.84 in. long. Effective w/chassis #3866.
25.1035	1	2310823	ANGLE-rear body panel-rear support. Above radiator door. 15-3/4 in. long. Repl. 2298365.
25.1035	1	2298406	ANGLE-rear body panel-rear support. Above trans. door. 7-17/32 in. long.
25.1037	1	2335113	BAR-rear separator-LH. Upper RH of radiator door. 18 in. long. CTL.
25.1037	1	2335113	BAR-rear separator-RH. Upper LH of trans. door. 18 in. long. CTL.
25.1058	5	2296514	CLIP-rear panel moulding.
25.1080	1	2298364	GUSSET-rear body panel-support. Above radiator door.
25.1080	1	2298407	GUSSET-rear body panel-support. Above trans. door.
25.1090	2	2321539	MOULDING-rear body panel-trim. Rear lower-under window. Repl. 2298031.
25.1090	1	2298702	MOULDING-rear body panel-trim. Rear upper

REAR LICENSE MOUNTING

25.1160	1	2302664	ANGLE-rear license plate holder-hinge.
25.1160	1	2296572	ANGLE-rear license plate holder-stop.
25.1220	1	2294095	DOOR-rear license plate holder-Incl. hinge.
25.1225	1	2294101	FRAME-rear license plate door-exterior.
25.1240	1	2294100	HINGE-rear license plate holder door-2 ft. req'd.
25.1255	1	2294985	LOCK-rear license plate holder.
25.1260	1	2302662	PLATE-rear license plate holder-RH.
25.1260	1	2302663	PLATE-rear license plate holder-LH.
25.1265	3	2294104	RETAINER-rear license plate.
25.1270	2	2227417	RIVET-rear license plate door frame-to closure door.
25.1300	2	699983	SPRING-rear license plate holder.
25.1305	1	2294964	STOP-rear license plate holder.

ENGINE SHIELDS

25.1320	1	2298353	SHIELD-dust, engine-RH.
25.1320	1	2298389	SHIELD-dust, engine-LH.
25.1320	1	2298378	SHIELD-dust, engine-center.
25.1325	AR	R 33347	ANGLE-engine dust shield-stiffener-2 Ft. req'd.
25.1340	13	2298391	BOLT-engine dust shield-eye-5/16-24.

25.1350	1	2298038	BRACKET-engine dust shield-eye bolt. Incl anti-squeak.
25.1385	AR	R 35513	HINGE-engine dust shield-RH 2 ft. req'd.-LH 3 ft. req'd.
25.1390	1	2298044	PLATE-engine dust shield-RH hinge.
25.1390	1	2298050	PLATE-engine dust shield-LH hinge.
25.1400	13	2290313	SPRING-engine dust shield bolt-Repl. 654865.

REAR SIDE CLOSURE DOORS

25.1465	1	2297001	DOOR-rear side closure-LH at radiator. Prior to chassis #3866.
25.1465	1	2360952	DOOR-rear side closure-LH at radiator. Eff. w/chassis #3866.
25.1467	1	2296254	ANGLE-rear side closure door-striker-RH door upper.
25.1467	1	2296255	ANGLE-rear side closure door-striker-RH door lower.
25.1467	1	2296256	ANGLE-rear side closure door-stop-RH upper.
25.1467	1	2297013	ANGLE-rear side closure door-radiator door-upper rear. Prior to chassis #3866.
25.1467	1	2297015	ANGLE-rear side closure door-radiator door-lock. Prior to chassis #3866.
25.1473	1	2335113	BAR-rear side closure door-RH. at trans 18 in. long. CTL. Repl 2294999.
25.1473	1	2335113	BAR-rear side closure door-LH. at radiator 18 in. long. CTL. Repl. 2297010.
25.1478	1	2301220	BRACKET-rear side closure door-LH radiator door prop. Rivet 5/16 x 3/4 mush hd. Effective w/chassis #3866.
25.1483	AR	2044739	BUMPER-rear side closure door-7/8 dia. head 11/16 in. long. rubber.
25.1483	1	4137121	BUMPER-rear side closure door-LH radiator door. 7/8 in. dia. x 3/8 in. long. Effective w/chassis #3866.
25.1485L	1	2360736	CHANNEL-rear side closure door-tie, front LH radiator door. Bolt 1/4-20 x 1/2, 3/4 pan hd. effective w/chassis #3866.
25.1485L	1	2360738	CHANNEL-rear side closure door-tie. Rear LH radiator door. Bolt 1/4-20 x 1/2, 3/4 pan hd. effective w/chassis #3866.
25.1487	1	2169338	CLIP-rear side closure door lock spring-anchor. RH.
25.1490	1	2295202	EXTENSION-rear side closure door panel-RH lower outer.
25.1493	1	2294993	FRAME-rear side closure door-RH trans. inspection.
25.1495	1	2297016	GUIDE-radiator door lock-prior to chassis #3866.
25.1497	1	2295283	HANDLE-rear side closure door lock-RH. Incl shaft.
25.1500	AR	R 35581	HINGE-radiator closure door-1/4-20 x 3/4 hex. 2 ft. req'd. SBF. Effective w/chassis #3866.
25.1515	1	2313791	LOCK-rear side closure door-RH. Repl. 2295345.
25.1515	2	2360279	LOCK-rear side closure door-LH. Door effective w/chassis #3866.
25.1535	1	2295203	PANEL-rear side closure door-RH outer-upper.
25.1535	1	2295204	PANEL-rear side closure door-RH outer-lower.
25.1557	1	2301224	PROP-radiator door-effective w/chassis #3866.
25.1573	19	2296527	RIVET-rear side closure door panel-RH to frame.
25.1575	1	2243272	RIVNUT-rear side closure door screw-radiator prior to chassis #3866.
25.1584	2	3715434	SCREW-rear side closure door-LH door bumper. Effective w/chassis #3866.
25.1600	1	2265255	SPRING-rear side closure door lock-RH.
25.1605	1	2307229	STOP-rear side closure door-RH door-at bumper ext. Incl. bumper.
25.1607	1	2305828	SUPPORT-rear side closure door lock-RH. Incl. bearing block.

REAR END CLOSURE DOORS

25.1620	1	2294970	DOOR-rear end closure-Incl. lock, handle etc.
25.1625	2	2296588	ANCHOR-rear end closure door hinge.
25.1630	1	2169338	ANCHOR-rear end closure door lock spring.
25.1640	1	2293748	ANGLE-rear end closure door-RH upper trim.
25.1640	1	2296266	ANGLE-rear end closure door-LH upper trim.
25.1640	1	2293749	ANGLE-rear end closure door-RH lower trim.
25.1640	1	2293750	ANGLE-rear end closure door-LH lower trim.
25.1685	8	2044739	BUMPER-rear end closure door-rubber.
25.1723	1	2294971	EXTENSION-rear end closure door lower panel-RH.
25.1723	1	2296578	EXTENSION-rear end closure door lower panel-LH.
25.1730	1	2293738	FRAME-rear end closure door.
25.1733	1	2270845	FRAME-rear target sign-upper.
25.1733	1	2270844	FRAME-rear target sign-lower.
25.1734	1	2310470	GUARD-rear end closure door-RH corner. Screw #8-15 x 1 pan-hd.
25.1734	1	2310469	GUIDE-rear end closure door-LH corner. Screw #8-15 x 1 pan-hd.
25.1735	1	2294973	HANDLE-rear end closure door lock.
25.1737	1	2244913	HINGE-rear end closure door-RH.
25.1737	1	2244914	HINGE-rear end closure door-LH.
25.1760	1	2294422	LOCK-rear end closure door.

25.1770	1	2295223	PANEL-rear end closure door-RH upper.
25.1770	1	2295224	PANEL-rear end closure door-LH upper.
25.1770	1	2293739	PANEL-rear end closure door-center upper.
25.1770	1	2293740	PANEL-rear end closure door-lower.
25.1773	1	2383208	PANEL-rear target sign-Greyhound only.
25.1773	1	SN 6490	PANEL-rear target sign--applicable for lettering.
25.1775	2	2244924	PIN-rear end closure door hinge.
25.1815	1	2360249	PROP-rear end closure door-RH w/chain. Repl. 2296486.
25.1815	1	2360250	PROP-rear end closure door-LH w/chain. Repl. 2296487
25.1830	AR	2296527	RIVET-rear end closure door-panel to frame.
25.1830	22	2237022	RIVET-rear end closure door-trim angle to frame.
25.1870	1	2265255	SPRING-rear end closure door lock.

SIDELOWER SIDE POSTS

25.2105	2	2293791	POST-lower side-RH center-front & rear of rear inter bulkheads.
25.2105	1	2293790	POST-lower side-LH center-between inter bulkheads.
25.2105	1	2296575	POST-lower side-LH #4-at air conduit compt.
25.2105	1	2291809	POST-lower side-LH-at battery compt.
25.2105	1	2297265	POST-lower side-RH. Part of front axle front blkhd.
25.2105	1	2297266	POST-lower side-LH. Part of front axle front blkhd.
25.2105	1	2291360	POST-lower side-RH. Part of front axle rear blkhd. 5 ft. req'd. SBF.
25.2105	1	2291361	POST-lower side-LH. Part of front axle rear blkhd. 5 ft. req'd. SBF.
25.2105	3	2291809	POST-lower side-part of fuel tank & front inter blkhd.
25.2105	2	2291816	POST-lower side-part of rear inter blkhd.
25.2105	1	2291356	POST-lower side-RH. Part of rear axle front blkhd.
25.2105	1	2291357	POST-lower side-LH. Part of rear axle front blkhd.
25.2105	1	2291333	POST-lower side-RH. Part of rear axle rear blkhd.
25.2105	1	2291334	POST-lower side-LH. Part of rear axle rear blkhd.
25.2105	1	2291887	POST-lower side-RH. Part of engine blkhd.
25.2105	1	2291888	POST-lower side-LH. Part of engine blkhd.
25.2107	1	2291821	ANGLE-side post reinforcement-LH post at battery comp't.
25.2115	1	2297077	BRACKET-compartment door post-upper-at air conduit comp't.
25.2115	1	2295869	BRACKET-compartment door post-lower-at air conduit comp't.
25.2117	1	2303640	CAPPING-side post- #1 RH lower-at drivers closure.
25.2117	1	2303639	CAPPING-side post- #1 RH upper- at drivers closure.
25.2117	1	2303641	CAPPING-side post- #1 LH upper- at drivers closure.
25.2120	2	2294909	CLIP-lower side post- #5 post to rear w/h RH
25.2120	2	2294910	CLIP-lower side post- #5 post to rear w/h LH
25.2147	9	2227417	RIVET-side post capping- #1 RH & LH post.
25.2160	1	2297081	SUPPORT-side post-upper at #4 LH post.
25.2160	1	2295899	SUPPORT-side post-LH at battery comp't.-seat rail.

SIDE PANELS

25.2165	1	2294460	PANEL-side-RH lower-front of front w/h.
25.2165	1	2297347	PANEL-side-LH lower-front of front w/h.
25.2165	1	2305201	PANEL-side-RH lower-rear of front w/h. Also see SL-11956.
25.2165	1	2304038	PANEL-side-LH lower-rear of front w/h. Repl. 2305202.
25.2165	1	2292270	PANEL-side-RH front- #1 plain 1/4-11/16 in. long. Std. Repl. 2301296.
25.2165	1	2292253	PANEL-side-RH front- #1 fluted.
25.2165	1	2292271	PANEL-side-LH front- #1 plain.
25.2165	1	2292254	PANEL-side-LH front- #1 fluted. Also see SL-11956.
25.2165	1	2298052	PANEL-side-LH front-fluted. Under drivers window. 33-9/16 in. long.
25.2165	2	2292272	PANEL-side-RH & LH center- #2 plain.
25.2165	1	2292255	PANEL-side-RH center- #2 fluted.
25.2165	1	2292256	PANEL-side-LH center- #2 fluted.
25.2165	1	2292274	PANEL-side-RH rear center- #3 plain.
25.2165	1	2292257	PANEL-side-RH rear center- #3 fluted.
25.2165	1	2292275	PANEL-side-LH rear center- #3 plain.
25.2165	1	2292258	PANEL-side-LH rear center- #3 fluted.
25.2165	1	2294149	PANEL-side-RH over rear w/h-fluted.
25.2165	1	2294505	PANEL-side-LH over rear w/h-fluted.

25.2165	1	2294150	PANEL-side-LH rear-fluted.
25.2165	1	2294143	PANEL-side-LH rear-fluted. Below safety door.
25.2165	1	2294462	PANEL-side-RH lower-front of rear w/h.
25.2165	1	2294463	PANEL-side-LH lower-front of rear w/h.
25.2165	1	2294461	PANEL-side-RH lower-rear of rear w/h.
25.2165	1	2298068	PANEL-side-RH upper-rear of elec. comp't.
25.2165	1	2298069	PANEL-side-RH lower-rear of elec. comp't.
25.2170	1	2300798	ANGLE-side panel-LH front upper to #1 post support.
25.2185	1	2300817	CHANNEL-stiffener side panel-RH-between #1 & 2 posts. 24-7/16 in. long.
25.2185	17	2294952	CHANNEL-stiffener side panel-32-15/16 in. long.
25.2185	AR	2294952	CHANNEL-stiffener side panel-32-15/16 in. long. CTL. Repl. 2294958.
25.2185	AR	R 32472	CHANNEL-stiffener side panel-2 pcs. req'd. 2 ft. long.
25.2188	AR	2296514	CLIP-side panel moulding.
25.2193	1	2298053	EXTENSION-side panel-LH front fluted panel-under drivers window.
25.2195	AR	2299523	FASTENER-side trim moulding.
25.2200	1	2298065	MOULDING-side trim-RH upper-front of front w/h.
25.2200	1	2298058	MOULDING-side trim-LH upper-front of front w/h.
25.2200	1	2298063	MOULDING-side trim-RH inter-front of front w/h.
25.2200	1	2298064	MOULDING-side trim-LH inter-front of front w/h.
25.2200	1	2298061	MOULDING-side trim-RH lower-front of front w/h.
25.2200	1	2298062	MOULDING-side trim-LH lower-front of front w/h.
25.2200	6	2297271	MOULDING-side trim-upper-front door & LH frt comp't. door.
25.2200	5	2298026	MOULDING-side trim-lower-front & interunder window.
25.2200	2	2298027	MOULDING-side trim-LH lower inter-front & rear of safety door-under window. 31-1/16 in. long-CTL.
25.2203	1	2304660	PLATE-side panel reinforcement-LH rear.
25.2203	1	2304607	PLATE-side panel reinforcement-RH rear.
25.2213	4	2303606	SPACER-side panel-RH.
25.2213	3	2304608	SPACER-side panel.

WHEELHOUSE

25.2225	2	2289737	WHEELHOUSE-front.
25.2225	2	2289736	WHEELHOUSE-rear.
25.2260	4	2298441	MOULDING-wheelhouse-front & rear w/h cover.
25.2270	2	2302681	PLATE-tread wheelhouse-RH front.
25.2270	2	2302682	PLATE-tread wheelhouse-LH front.
25.2270	2	2302683	PLATE-tread wheelhouse-rear.
25.2283	1	2292208	SUPPORT-wheelhouse-RH front.
25.2283	1	2292209	SUPPORT-wheelhouse-LH front.
25.2283	1	2292210	SUPPORT-wheelhouse-RH rear.
25.2283	1	2304235	SUPPORT-wheelhouse-LH rear.

RUB RAILS

25.2290	1	2294508	RAIL-rub-LH-rear of rear w/h.
---------	---	---------	-------------------------------

FENDERS

25.2305	1	2296277	FENDER-front-RH front.
25.2305	1	2296278	FENDER-front-LH front.
25.2305	1	2296283	FENDER-front-RH upper.
25.2305	1	2296284	FENDER-front-LH upper.
25.2305	1	2296279	FENDER-front-RH rear.
25.2305	1	2296280	FENDER-front-LH rear.
25.2305	1	2296280	FENDER-rear-RH front.
25.2305	1	2296279	FENDER-rear-LH front.
25.2305	1	2296283	FENDER-rear-RH upper.
25.2305	1	2296284	FENDER-rear-LH upper.
25.2305	1	2296281	FENDER-rear-RH rear.
25.2305	1	2296282	FENDER-rear-LH rear.
25.2315	2	2296609	APRON-fender splash-front. 6-5/8 x 43-1/4.
25.2315	2	2296611	APRON-fender splash-rear. Outer. 9 x 25-1/4.
25.2315	1	2296608	APRON-fender splash-rear. Inner. 9 x 34.

25.2316	AR	2308601	BOLT-fender-fender to bracket & panel 5/16-18 x 3/4 rd hd ribbed neck.
25.2316	AR	2307300	BOLT-fender-fender to panel. 5/16-18 x 1 rd hd ribbed neck.
25.2317	1	2296272	BRACKET-fender-front fender-RH lower rear of w/h.
25.2317	1	2296273	BRACKET-fender-front fender-LH lower rear of w/h.
25.2317	1	2296275	BRACKET-fender-rear fender-RH front of w/h.
25.2317	1	2296276	BRACKET-fender-rear fender-LH front of w/h.
25.2317	1	2296274	BRACKET-fender-rear fender-RH lower rear of w/h.
25.2317	1	2295807	BRACKET-fender-rear fender-LH lower rear of w/h.
25.2330	AR	2335109	RETAINER-fender splash apron-4 ft. long Ctl.

INSPECTION DOOR

25.2345	1	2300072	DOOR-inspection-front of LH w/h incl. welded door, carrier, panel extension, panels & rivets. Complete.
25.2345	1	2299175	DOOR-inspection-front of LH front w/h. Less panels welded.

NOTE: Inspection door panel shown in group 25.2415.

25.2363	2	2044739	BUMPER-inspection door-to upper striker plate. LH front. Rubber.
25.2363	2	672811	BUMPER-inspection door-to lower striker plate. LH front. Rubber.
25.2367	1	2302333	CARRIER-tool-on LH front inspection door.
25.2375	1	2169338	CLIP-inspection door lock spring-anchor.
25.2380	1	2299248	EXTENSION-inspection door panel-upper-LH front.
25.2385	1	2299306	HANDLE-inspection door lock-LH front.
25.2387	1	2299295	HINGE-inspection door-upper. LH front.
25.2387	1	2299171	HINGE-inspection door-lower. LH front-body half.
25.2387	1	2299172	HINGE-inspection door-lower. LH front-door half.
25.2400	1	2298689	LOCK-inspection door-LH front.
25.2415	1	2298920	PANEL-inspection door-upper-LH front.
25.2415	1	2299173	PANEL-inspection door-lower-LH front.
25.2415	1	2296617	PANEL-inspection door-trim-LH front.
25.2423	1	2299287	PIN-inspection door hinge-upper-LH front.
25.2423	1	2304615	PIN-inspection door hinge-lower-LH front.
25.2430	1	2299316	PLATE-inspection door lock-striker-upper LH front.
25.2430	1	2299317	PLATE-inspection door lock-striker-lower LH front.
25.2433	1	2304613	PLATE-inspection, door lock handle-wear. LH front.
25.2435	1	2299258	RETAINER-inspection door seal-front-27-1/2 in. long. LH front.
25.2435	1	2300056	RETAINER-inspection door seal-rear-27-3/8 in. long. LH front.
25.2435	1	2300025	RETAINER-inspection door seal-upper-29-3/8 in. long. LH front.
25.2435	1	2300023	RETAINER-inspection door seal-lower-28-3/16 in. long. LH front.
25.2447	AR	2227416	RIVET-inspection door panel-LH front. To frame & tool carrier. 3/16 x .74.
25.2450	AR	2311603	SEAL-inspection door-LH front. 87 in. long CTL.
25.2455	1	2299305	SHAFT-inspection door lock-LH front.
25.2460	1	2265255	SPRING-inspection door lock-LH front.

FUEL FILLER DOOR

25.2470	1	2297857	DOOR-fuel filler-Incl. hinge. diesel.
25.2470	1	2305205	DOOR-fuel filler-less hinge. Air cond.
25.2485	1	2302257	CLIP-fuel filler door spring-on body.
25.2490	1	2302272	HINGE-fuel filler door-diesel.
25.2490	1	2305207	HINGE-fuel filler door-Air cond. 7-1/2 in. long.
25.2525	2	2117991	SPRING-fuel filler door-LH. 5 coils.

RADIATOR FILLER DOOR

25.2530	1	2357947	DOOR-radiator filler-above radiator door. Eff. w/chassis 1966 thru 2915.
25.2530	1	2297873	DOOR-radiator filler-above radiator door complete w/screen & latch plate prior to chassis 1966 & eff. w/chassis 2916.
25.2530	1	2297874	DOOR-radiator filler-above radiator door. Less screen & latch plate prior to chassis 1966 & eff. w/chassis 2916.
25.2530	1	2305206	DOOR-radiator filler-air cond. rear of LH frt w/h. Prior to chassis # 1301
25.2533	1	2297876	BRACKET-radiator filler door latch.
25.2545	2	2243178	CLIP-radiator filler door-air cond. Rear of LH front w/h. 1 req'd. after chassis 1301

25.2550	1	2297877	HINGE-radiator filler door-above radiator door. Prior to chassis 1966 and eff. w/chassis 2916.
25.2550	1	2305208	HINGE-radiator filler door-air cond. Rear of LH front w/h. 7-1/2 in. long.
25.2555	2	2018537	LATCH-radiator filler door.
25.2560	1	2297875	PLATE-radiator filler door-latch. Above radiator door. Prior to chassis 1966 and eff. w/chassis 2916.
25.2560	1	2294099	PLATE-radiator filler door-reinf. Above radiator door. Prior to chassis 1966 and eff. w/chassis 2916.
25.2570	1	2117991	SPRING-radiator filler door-air cond. rear of LH front w/h. Prior to chassis #1301.

BATTERY COMPARTMENT

25.2670	1	2270380	ANGLE-battery compartment door-35-3/8 in. long-CTL.
25.2673	1	2301216	BRACKET-battery compartment door support-upper.
25.2673	1	2301219	BRACKET-battery compartment door support-incl prop. support & bracket.
25.2677	1	2301225	CATCH-battery comp't. door-support prop.
25.2677	2	2304618	CATCH-battery comp't. door-lock.
25.2680	1	2301265	DOOR-battery compartment-Incl. prop. bracket.
25.2685	AR	2343248	HINGE-battery compartment door-30-3/8 in. req'd. rubber.
25.2695	2	2304626	LOCK-battery compartment door.
25.2703	1	2301907	PAN-battery compartment-floor-lower. Incl. spacers etc.
25.2703	1	2301901	PAN-battery compartment-floor-upper. Incl. spacers etc.
25.2704	1	2301252	PANEL-battery compartment door-LH outer upper.
25.2704	1	2301256	PANEL-battery compartment door-LH outer lower.
25.2707	1	2301915	PLATE-battery compartment wall.
25.2710	1	2335110	RETAINER-battery compartment door hinge 48 in. long-CTL. Repl. 2224875.
25.2714	AR	2224679	SEAL-battery compartment-wall plate at blkd. 10 ft. CTL.
25.2715	2	2295806	SPACER-battery comp't. door-lower panel-end.
25.2725	1	2301224	SUPPORT-battery comp't. door-prop.

BAGGAGE COMPARTMENT

25.2745	AR	R 32753	ANGLE-baggage floor-1-1/4 x 1-1/4 alum.
25.2817	4	2299260	CATCH-baggage comp't. door lock-incl. upper & lower halves.
25.2833	8	2295293	CLIP-baggage comp't. door lock rod-end.
25.2837	4	2295288	COVER-baggage comp't. door lock handle.
25.2845	3	2295895	DOOR-baggage compartment.--large
25.2845	1	2297827	DOOR-baggage compartment-front of LH rear w/h. Small

NOTE: Refer to 25.2890 for baggage comp't. door panels.

25.2853	4	2294920	EYE-baggage comp't. door lock link-3/8-24 RH thd.
25.2853	4	2294921	EYE-baggage comp't. door lock link-3/8-24 LH thd.
25.2857	4	2301287	FLOOR-baggage compartment-less reinf. etc.
25.2867	4	2295287	HANDLE-baggage comp't. door lock.
25.2870	AR	2343248	HINGE-baggage comp't. door-rubber.
25.2873	4	2295803	HOUSING-baggage comp't. door lock.
25.2883	4	2295299	NUT-baggage comp't door lock link eye.
25.2890	3	2304213	PANEL-baggage compartment door-inner.
25.2890	1	2297091	PANEL-baggage compartment door-inner. Front of LH rear w/h.
25.2890	3	2295804	PANEL-baggage compartment door-outer-upper.
25.2890	1	2297072	PANEL-baggage compartment door-outer-upper. Front of LH rear w/h.
25.2890	3	2295805	PANEL-baggage compartment door-outer-lower.
25.2890	1	2297073	PANEL-baggage compartment door-outer-lower. Front of LH rear w/h.
25.2905	4	2295297	PIN-baggage comp't. door lock-safety catch.
25.2905	4	2295290	PIN-baggage comp't. door lock-handle.
25.2905	4	2295291	PIN-baggage comp't door lock-link eye to handle.
25.2920	4	2296589	PLATE-striker, baggage compartment door-RH.
25.2920	4	2296285	PLATE-striker, baggage compartment door-LH.
25.2920	4	2295289	PLATE-striker, baggage compartment door-door lock.
25.2927	1	2293762	RAIL-baggage comp't. floor-RH.
25.2927	1	2293763	RAIL-baggage comp't. floor-LH.
25.2930	3	2296579	REINFORCEMENT-baggage comp't. door - RH end.
25.2930	1	2296579	REINFORCEMENT-baggage comp't. door - RH end. Front of LH rear w/h.
25.2930	4	2296580	REINFORCEMENT-baggage comp't. door - LH end.

25.2930	3	2295808	REINFORCEMENT-baggage comp't door-upper.
25.2930	1	2297024	REINFORCEMENT-baggage comp't door-upper. Front of LH rear w/h.
25.2930	4	2295809	REINFORCEMENT-baggage comp't door-lower.
25.2930	1	2299215	REINFORCEMENT-baggage comp't door-inner lower front of LH rear w/h. Repl. 2224882.
25.2933	AR	2291830	REINFORCEMENT-baggage comp't floor.
25.2937	3	2295812	RETAINER-baggage comp't. door hinge.
25.2937	1	2335110	RETAINER-baggage comp't. door hinge-front of LH rear w/h. 48 in.-CTL. Repl 2224875.
25.2955	AR	2227417	RIVET-baggage comp't. floor support strap.
25.2960	3	2295802	ROD-baggage comp't. door lock.
25.2960	1	2297274	ROD-baggage comp't. door lock-front of LH rear w/h.
25.2975	2	2297893	SEAL-baggage compartment door-side-at hinge.
25.2975	3	2297878	SEAL-baggage compartment door-lower
25.2975	1	2297880	SEAL-baggage compartment door-lower. Front of LH rear w/h
25.2995	8	2295806	SPACER-baggage compartment door-lower
25.3005	4	2295836	SPRING-baggage compt. door lock-safety catch
25.3005	4	2295837	SPRING-baggage compt. door lock-handle
25.3010	4	2295292	STOP-baggage compt. door-lock rod-RH
25.3010	4	2300010	STOP-baggage compt. door-lock rod-LH
25.3015	2	2304621	STRAP-baggage compartment floor-LH rear floor-door lock
25.3015	2	2291839	STRAP-baggage compartment floor-center
25.3023	8	2295298	STRIP-rear baggage compt. door lock rod
25.3025	4	2358677	SUPPORT-baggage compt. door-prop. Repl. 2296457
25.3035	AR	2291838	SUPPORT-baggage compt. floor-strap
25.3035	2		SUPPORT-baggage compt. floor-tie plate strap-outer. Proc. Loc.
25.3040	AR	R 33558	TEE-baggage compt. floor support-upper. 8 ft. req'd.
25.3040	AR	2224896	TEE-baggage compt. floor support-lower. 5 ft. long-CTL

ELECTRICAL COMPARTMENT

25.3060	1	2270380	ANGLE-electrical compt.-reinf.-wall and floor 35-3/8 in. long-CTL
25.3062	1	2298003	PLATE-electrical compt.-floor
25.3062	1	2298001	PLATE-electrical compt.-wall
25.3064	4	2226070	RIVNUT-electrical compt. wall plate-1/2 in. long
25.3064	13	2248137	RIVNUT-electrical compt. wall plate
25.3066	AR	R 32218	SEAL-electrical compt.-10-1/2 in. req'd.-SBF

MISCELLANEOUS COMPARTMENT DOORS

25.3100	1	2297827	DOOR-compartment-RH front. Rear of RH front w/H.
25.3100	1	2296612	DOOR-compartment-LH front. Rear of LH front w/H.
NOTE: Above doors include lock, handle etc. less hinges.			
25.3100	1	2297049	DOOR-compartment-fuel tank. Rear of RH front compt. door. Less hinges.
25.3100	1	2298710	DOOR-compartment-air conditioning compt. rear of LH front compt. door. Incl. prop. catch & trim strips.
NOTE: Compartment Door panels shown in group 25.3124.			
25.3102	2	2301214	BRACKET-compt. door prop.-upper. R & LH front doors
25.3102	2	2301219	BRACKET-compt. door prop.-support. R & LH front doors
25.3102	1	2301216	BRACKET-compt. door prop.-upper. Air condit. door
25.3102	1	2301220	BRACKET-compt. door prop.-support. Air condit. door
25.3103	2	2044739	BUMPER-compt. door-fuel door
25.3104	3	2299260	CATCH-compartment door lock-safety. R & LH front & electrical doors
25.3106	2	2301226	CATCH-compt. door prop.-R & LH front doors
25.3106	1	2301225	CATCH-compt. door prop.-air condit. door
25.3107	2	2314700	CLIP-compt. door-bumper. Fuel door
25.3108	6	2295293	CLIP-compt. door lock-rod end. R & LH front & electrical doors
25.3108	2	2297055	CLIP-compt. door lock-fuel tank door
25.3110	3	2295288	COVER-compt. door lock handle-R & LH front doors & electrical comp. door
25.3112	3	2294920	EYE-compt. door lock link-3/8-24 RH thd. R & LH front & elec. doors
25.3112	3	2294921	EYE-compt. door lock link-3/8-24 LH thd. R & LH front & elec. doors
25.3114	4	2295287	HANDLE-compt. door-R & LH front & electrical doors
25.3114	2	2303610	HANDLE-compt. door-air condit. door
25.3116	AR	2343248	HINGE-compt. door-rubber. RH front-37-3/16 in. req'd. LH front-28-7/8 in. req'd., fuel tank-37-3/16 in. req'd., electrical-19-5/16 in. req'd.
25.3118	2	2295803	HOUSING-compt. door lock-R & LH front doors
25.3118	1	2298035	HOUSING-compt. door lock-electrical door

25.3120	2	2297271	MOULDING-compt. door-trim. LH front door
25.3122	3	2295299	NUT-compt. door lock link eye-R & LH front & electrical doors
25.3124	1	2297072	PANEL-compt. door-RH front outer upper
25.3124	1	2296247	PANEL-compt. door-LH front outer upper
25.3124	1	2297073	PANEL-compt. door-RH front outer lower
25.3124	1	2296248	PANEL-compt. door-LH front outer lower
25.3124	1	2297091	PANEL-compt. door-RH front inner
25.3124	1	2297054	PANEL-compt. door-fuel tank. Upper
25.3124	1	2297050	PANEL-compt. door-fuel tank. Lower
25.3124	1	2298076	PANEL-compt. door-electrical. Upper
25.3124	1	2298067	PANEL-compt. door-electrical. Lower
25.3126	3	2295297	PIN-compt. door lock-safety catch. R & LH front & electrical doors
25.3126	3	2295290	PIN-compt. door lock-handle. R & LH front & electrical doors
25.3126	3	2295291	PIN-compt. door lock-link eye to handle. R & LH front & electrical doors
25.3128	2	2296589	PLATE-striker, compt. door lock-RH front door
25.3128	2	2296285	PLATE-striker, compt. door lock-LH front door
25.3128	1	2295289	PLATE-striker, compt. door lock-electrical door
25.3128	1	2298098	PLATE-striker, compt. door lock-RH. Electrical door
25.3128	1	2298099	PLATE-striker, compt. door lock-LH. Electrical door
25.3130	2	2296579	REINFORCEMENT-compt. door-RH front-end
25.3130	2	2296580	REINFORCEMENT-compt. door-LH front-end
25.3130	1	2297024	REINFORCEMENT-compt. door-RH front upper panel
25.3130	1	2296587	REINFORCEMENT-compt. door-LH front upper panel
25.3130	2	2295809	REINFORCEMENT-compt. door-R & LH front lower panel
25.3130	2	2270380	REINFORCEMENT-compt. door-35-3/8 in. long-CTL fuel tank door
25.3130	AR	R 32207	REINFORCEMENT-compt. door-R & LH center-4 ft. req'd. fuel tank door
25.3130	1	2304337	REINFORCEMENT-compt. door-center. Fuel tank door
25.3130	1	2297053	REINFORCEMENT-compt. door-RH center. Fuel tank
25.3130	1	2298074	REINFORCEMENT-compt. door-RH. Electrical door
25.3130	1	2298075	REINFORCEMENT-compt. door-LH. Electrical door
25.3130	1	2298077	REINFORCEMENT-compt. door-lower. Electrical door
25.3132	7	2335110	RETAINER-compt. door hinge-R & LH front, air condit., fuel tank & electrical doors 48 in. long. CTL. Repl. 2224875
25.3134	1	2298002	RETAINER-compt. door seal-lower. Electrical door
25.3134	1	2298004	RETAINER-compt. door seal-LH. Electrical door
25.3136	2	2228368	RIVNUT-compt. door-7/16 in. long. R & LH front doors
25.3138	1	2297274	ROD-compt. door lock-RH front door
25.3138	1	2296250	ROD-compt. door lock-LH front door
25.3138	1	2298095	ROD-compt. door lock-electrical door
25.3140	1	2297880	SEAL-compt. door-lower. RH front door
25.3140	1	2297879	SEAL-compt. door-lower. LH front door
25.3140	1	2297892	SEAL-compt. door-lower. Air condit. door
25.3140	1	2298096	SEAL-compt. door-lower. Electrical door
25.3142	2	2303613	SHAFT-compt. door lock-air condit. door
25.3144	8	2295806	SPACER-compt. door-lower end. RH front, air condit., fuel tank & electrical doors
25.3146	3	2295836	SPRING-compt. door lock-safety catch. R & LH front & electrical doors
25.3146	3	2295837	SPRING-compt. door lock-handle. R & LH front & electrical doors
25.3146	2	2303616	SPRING-compt. door lock-air condit. door 1-1/2 in. long-clip type
25.3146	2	2305807	SPRING-compt. door lock-air condit. door. 3 in. long-coil type
25.3148	2	2295292	STOP-compt. door lock rod-RH front door
25.3148	2	2300010	STOP-compt. door lock rod-LH front door
25.3150	2	2304012	STOP-compt. door lock spring-air condit. door
25.3152	1	2298718	STRIP-trim, compt. door-RH upper. Air condit. door
25.3152	1	2298719	STRIP-trim, compt. door-LH upper. Air condit. door
25.3152	1	2298720	STRIP-trim, compt. door-RH lower. Air condit. door
25.3152	1	2298721	STRIP-trim, compt. door-LH lower. Air condit. door
25.3152	1	2299236	STRIP-trim, compt. door-bottom. Air condit. door
25.3154	6	2295298	STRIP-compt. door lock rod-R & LH front & electrical doors
25.3156	3	2301224	SUPPORT-compt. door-prop. R & LH front, air condit. door
25.3156	1	2358677	SUPPORT-compt. door-prop. Electrical door. Repl. 2296457
25.3158	2	2303614	SUPPORT-compt. door lock-air condit. door
25.3160	2	2298072	SUPPORT-compt. door lock rod clip-electrical door
25.3162	1	2298073	SUPPORT-compt. door lock striker-LH. Electrical door
25.3162	1	2298084	SUPPORT-compt. door lock striker

ROOF UPPER POSTS

25.3200	1	2295879	POST-roof upper-RH. #1
25.3200	1	2295880	POST-roof upper-LH. #1
25.3200	2	2294538	POST-roof upper-R & LH. #2
25.3200	1	2294497	POST-roof upper-RH. #5
25.3200	1	2294498	POST-roof upper-LH. #5
25.3200	1	2294499	POST-roof upper-RH. #8
25.3200	1	2294500	POST-roof upper-LH. #8
25.3200	1	2294907	POST-roof upper-RH. #11
25.3200	1	2294908	POST-roof upper-LH. #11
25.3200	1	2300317	POST-roof upper-RH. #12
25.3200	1	2294521	POST-roof upper-LH. #12
25.3200	1	2300344	POST-roof upper-RH. #13
25.3200	1	2300345	POST-roof upper-LH. #13
25.3200	3	2300313	POST-roof upper-RH. #4-6-10 short
25.3200	3	2300314	POST-roof upper-LH. #4-6-10 short
25.3200	3	2305507	POST-roof upper-RH. #3-7-9 short
25.3200	3	2305508	POST-roof upper-LH. #3-7-9 short
25.3205	6	2295242	ANGLE-roof carline post-splice
25.3210	6	2295241	CHANNEL-roof stiffener-carline post
25.3210	1	2296614	CHANNEL-roof stiffener-carline post #7 rear 7 in. long

ROOF PANELS

25.3220	1	2292851	PANEL-roof-center #1
25.3220	1	2292852	PANEL-roof-center #2
25.3220	1	2292853	PANEL-roof-center #3
25.3220	1	2293432	PANEL-roof-center #4
25.3225	1	2294966	PANEL-roof crown-front center
25.3225	1	2294983	PANEL-roof crown-RH front corner
25.3225	1	2294984	PANEL-roof crown-LH front corner
25.3225	1	2292845	PANEL-roof crown-#1 RH
25.3225	1	2292846	PANEL-roof crown-#1 LH
25.3225	1	2292847	PANEL-roof crown-#2 RH
25.3225	1	2292848	PANEL-roof crown-#2 LH
25.3225	1	2292849	PANEL-roof crown-#3 RH
25.3225	1	2292850	PANEL-roof crown-#3 LH
25.3225	1	2293730	PANEL-roof crown-#4 RH
25.3225	1	2293731	PANEL-roof crown-#4 LH
25.3225	1	2293434	PANEL-roof crown-RH rear upper corner
25.3225	1	2293435	PANEL-roof crown-LH rear upper corner
25.3225	1	2293436	PANEL-roof crown-RH rear lower corner
25.3225	1	2293437	PANEL-roof crown-LH rear lower corner
25.3225	1	2293433	PANEL-roof crown-rear center
25.3235	1	2297845	PLATE-roof trim-at destination sign
25.3240	22	2294068	REINFORCEMENT-roof panel-at center panel 26-5/8 in. long CTL
25.3240	1	2303722	REINFORCEMENT-roof panel-front RH crown panel
25.3240	1	2295876	REINFORCEMENT-roof panel-at safety door-upper
25.3240	1	2310448	REINFORCEMENT-roof panel-at RH rear lower corner crown panel
25.3250	2	2295815	SPACER-roof panel-safety door frame-upper corner
25.3255	1	2296635	STRAINER-roof panel-reinf.-rear window RH end
25.3255	1	2296636	STRAINER-roof panel-reinf.-rear window LH end
25.3255	1	2293768	STRAINER-roof panel-reinf.-rear window RH
25.3255	1	2293780	STRAINER-roof panel-reinf.-rear window LH
25.3255	1	2296597	STRAINER-roof panel-reinf.-RH front
25.3255	1	2296598	STRAINER-roof panel-reinf.-LH front
25.3255	1	2295883	STRAINER-roof panel-RH rear upper crown
25.3255	1	2295884	STRAINER-roof panel-LH rear upper crown

DRIP MOULDING

NOTE: For trim moulding including drip moulding see group 25.7750.

25.3265	1	2293399	MOULDING-drip-RH rear-over rear window
25.3265	1	2293400	MOULDING-drip-LH rear-over rear window
25.3265	1	2301857	MOULDING-drip-RH front side
25.3265	1	2301858	MOULDING-drip-LH front side
25.3265	1	2305266	MOULDING-drip-RH front, above w/s
25.3265	1	2305267	MOULDING-drip-LH front, above w/s
25.3265	1	2311119	MOULDING-drip-engine air cleaner intake-upper. Prior to chassis 1966 & eff. w/chassis 2916
25.3265	1	2311120	MOULDING-drip-engine air cleaner intake-lower. Prior to chassis 1966 and eff. w/chassis 2916
25.3265	1	2358663	MOULDING-drip-engine air cleaner air intake-RH. Upper. W/chassis 1966 thru 2915 screw #10-32 x 5/8 pan.
25.3265	1	2358664	MOULDING-drip-engine air cleaner air intake- LH upper. Eff. w/chassis 1966 thru 2915 screw #10-32 x 5/8 pan.
25.3265	1	2358665	MOULDING-drip-engine air cleaner air intake-RH lower. Eff. w/chassis 1966 thru 2915 screw #10-32 x 5/8 pan.
25.3265	1	2358666	MOULDING-drip-engine air cleaner air intake-LH lower. Eff. w/chassis 1966 thru 2915 screw #10-32 x 5/8 pan.
25.3267	1	2297890	ANGLE-drip moulding-RH rear
25.3267	1	2297891	ANGLE-drip moulding-LH rear
25.3270	14	2248137	RIVNUT-drip moulding screw
25.3270	8	2228368	RIVNUT-drip moulding screw-engine air intake 7/16 long. Eff. w/chassis 1966 thru 2915
25.3270	8	2226070	RIVNUT-drip moulding screw-engine air intake 1/2 long. Eff. w/chassis 1966 thru 2915

FRONT DESTINATION SIGN

25.3390	1	2296786	BOX-destination sign. Electric Service Mfg. Co. Prior to 1566
25.3390	1	2339675	BOX-destination sign. Electric Service Mfg. Co. Eff. w/chassis 1566
25.3390	1	2402052	BOX-destination sign-Transign Co.
25.3415	1	2394606	CURTAIN-destination sign-incl. roller. Transign Co.
25.3430	AR	2224702	FILLER-destination sign glass retainer-91 in. req'd. 25 ft. roll-CTL. Eff. w/4104-401
25.3435	1	2295894	GLASS-destination sign
25.3450	1	2248612	KNOB-destination sign door-inspection
25.3453	2	2248614	PAWL-destination sign door fastener lock
25.3460	AR	2335013	RETAINER-destination sign glass-25 ft. long-CTL
25.3463	2	2248616	RING-destination sign door fastener
25.3467	2	2301884	SCREW-destination sign door fastener lock
25.3475	AR	2224723	SEAL-destination sign door-2 ft. long-CTL
25.3503	2	2301885	SPRING-destination sign door fastener lock
25.3520	4	2255579	WASHER-destination sign-w/knob. 7/8 OD

ROOF HEADERS

25.3523	1	2299155	HEADER-destination sign-front
25.3525	1	2297252	HEADER-drivers window
25.3530	1	2297251	HEADER-front door
25.3535	1	2293756	HEADER-rear window-center
25.3537	1	2295243	HEADER-side window-RH rear corner
25.3537	1	2295244	HEADER-side window-LH rear corner
25.3540	1	2367172	HEADER-windshield-incl. rivnuts. Repl. 2298784
25.3555	2	2226070	RIVNUT-windshield header
25.3560	2	2214857	PLATE-striker, destination sign header

FLOOR

NOTE: Floor boards are not serviced. Procure locally

25.3610	1	2298084	ANGLE-drivers floor-support
---------	---	---------	-----------------------------

25.3635	1	2298081	ANGLE-floor support-LH-at inspection door
25.3635	AR	2224895	ANGLE-floor support-baggage compt. 1-3/8 x 2-1/16 alum. 74 in. long-CTL
25.3635	AR	2335112	ANGLE-floor support-fuel tank compt. 1-3/8 x 2-1/16 alum. 94 in. long-CTL. Repl. 2224895
25.3665	14	2077788	BOLT-floor board-5/16-24 x 1-1/2
25.3707	1	2291845	CHANNEL-floor support-at blower compt.
25.3707	1	2291844	CHANNEL-floor support-at fuel tank compt.
25.3707	1	2293439	CHANNEL-floor support-at air condit. bulkhd.
25.3707	4	2291846	CHANNEL-floor support-at baggage compt.
25.3725	1	2297325	COVER-air beam-front air beam-front
25.3725	1	2301295	COVER-air beam-front air beam-access hole 7-3/8 x 16
25.3745	AR	2304206	COVERING-floor-green rubber 36 x 376 in. x 1/8 CTL. Prior to chassis 3866
35.3745	AR	2407322	COVERING-floor-3/32 x 21-3/4 x 376 in. Mottled grey green. CTL. Effective w/chassis 4266
25.3745	4	2304246	COVERING-floor-wheelhouse. Prior to chassis #3866
25.3745	4	2388107	COVERING-wheelhouse. Effective w/chassis 3866/4266
25.3745	4	2407324	COVERING-floor-wheelhouse. Mottled green. Effective w/chassis 4266
25.3795	1	2297835	PLATE-air beam cover-front air beam-rear
25.3795	1	2297774	PLATE-air beam cover-front air beam-RH front 9-1/8 x 13-7/16
25.3795	1	2297330	PLATE-air beam cover-front air beam-LH front 9-1/8 x 13-7/16
25.3795	1	2297331	PLATE-air beam cover-front air beam-RH rear 10-7/8 x 12-1/2
25.3810	2	2291894	PLATE-floor board-11-1/2 x 27-1/4
25.3810	2	2373114	PLATE-floor board-10-1/2 x 27-1/4 with seventeen .005 holes
25.3810	1	2299223	PLATE-floor board-at drivers seat
25.3810	1	2304050	PLATE-floor board-seal-at LH front corner post. 2-5/16 x 4-3/16
25.3810	2	2304050	PLATE-floor board-seal-at front axle front bulkhead post. 1-11/16 x 2-1/4
25.3810	1	2291894	PLATE-floor board-RH-at front axle rear blhd. 11-1/2 x 27-1/4. Repl. 2307258
25.3810	1	2302697	PLATE-floor board-seal-at front bulkhead post. 2 x 2-9/16
25.3810	4	2302698	PLATE-floor board-seal-at rear inter bulkhead post. 1-1/2 x 2
25.3815	1	2303009	PLATE-floor cover-drivers floor access hole
25.3822	1	2360411	PLATE-tread-aisle front edge. 3 x 17-1/2 in. long effective w/chassis #3866
25.3827	1	2298083	RAIL-floor extension-front
25.3830	1	2295211	RETAINER-air beam cover-at front height control valve
25.3842	2	2248137	RIVNUT-air beam cover retainer screw-at front leveling valve
25.3857	AR	2242247	SPACER-floor board-intermediate floor 1-1/8 x 1-5/8 w/3/8 in. dia. hole
25.3860	AR	R 35516	STIFFENER-floor board-aisle. 9 ft. req'd. SBF repl. 2295814
25.3863	1	2301274	STRIP-aisle front edge marker-white
25.3867	1	2335112	SUPPORT-floor-baggage compt.-inter. 94 in. long-CTL. Repl. 2224895
25.3867	1	2335112	SUPPORT-floor-battery compt.-LH. 94 in. long-CTL. Repl. 2224895
25.3867	1	2335112	SUPPORT-floor-electrical compt.-RH. 94 in. long-CTL.
25.3867	AR	2335112	SUPPORT-floor-baggage compt.-inter., LH front & LH rear. 94 in. long-CTL. Repl. 2224895

FRONT STEPWELL

25.3907	AR	2335108	ANGLE-step support-1-1/4 x 1-1/4 x 3 ft. alum-SBF
25.3910	1	2297837	ANGLE-stepwell-trim-upper
25.3910	1	2297836	ANGLE-stepwell-trim-upper rear
25.3910	1	2360410	ANGLE-stepwell-trim-upper rear. Effective w/chassis #3866
25.3910	2	2297838	ANGLE-stepwell-trim-inter & lower
25.3910	1	2297841	ANGLE-stepwell-trim-outer
25.3910	AR	2224661	ANGLE-stepwell-top of bulkhead. 102 in. long-CTL
25.3910	AR	R 32126	ANGLE-stepwell-1-1/2 x 1-1/2 extruded alum
25.3910	AR	R 32760	ANGLE-stepwell-1-1/2 x 2 extruded alum
25.3910	1	2297839	ANGLE-stepwell-upper step-at bulkhead. Z type
25.4007	1	2335106	MOULDING-stepwell-upper front 25 in. long-CTL repl. 2297859
25.4007	1	2297847	MOULDING-stepwell-upper rear
25.4007	1	2335106	MOULDING-stepwell-lower front 25 in. long-CTL repl. 2297846
25.4007	1	2335106	MOULDING-stepwell-lower rear. 25 in. long CTL repl. 2297860
25.4020	1	2297834	PANEL-stepwell-upper
25.4020	1	2297058	PANEL-stepwell-inter
25.4020	1	2297059	PANEL-stepwell-lower
25.4020	1	2297059	PANEL-stepwell-lower
25.4025	1	2297285	PANEL-stepwell support-#4 step riser
25.4035	1	2293390	PLATE-stepwell-upper step
25.4035	1	2293395	PLATE-stepwell-inter step. Incl. riser

25.4115	1	2297840	SUPPORT-stepwell-lower Z-to bulkhead
25.4115	1	2297839	SUPPORT-stepwell-upper Z-to bulkhead
25.4125	AR	R 36376	TREAD-stepwell-3/16 x 28-1/4 wide. Black rubber-9 ft. req'd. Prior to chassis #3866
25.4125	1	2381193	TREAD-stepwell-upper step. Effective w/chassis #3866
25.4125	1	2381191	TREAD-stepwell-inter step. Effective w/chassis #3866
25.4125	1	2381192	TREAD-stepwell-lower step. Effective w/chassis #3866

UNDERFRAMINGCROSS MEMBERS

25.4250	1	2293351	CROSSMEMBER-front air beam.
25.4250	1	2295822	CROSSMEMBER-rear air beam
25.4250	1	2291324	CROSSMEMBER-rear radius rod lower bracket
25.4260	1	2293354	TEE-air beam crossmember support-lower

BULKHEADS

25.4305	1	2292801	BULKHEAD-front axle-front. Complete
25.4305	1	2318548	BULKHEAD-front axle-rear. Complete repl. 2291393
25.4305	1	2295833	BULKHEAD-fuel tank. Complete
25.4305	1	2291394	BULKHEAD-inter-front. Complete
25.4305	1	2291395	BULKHEAD-inter-rear. Complete
25.4305	1	2291396	BULKHEAD-rear axle-front. Complete. Prior to chassis #4266
25.4305	1	2407333	BULKHEAD-rear axle-front. Complete. Effective w/chassis #4266
25.4305	1	2291397	BULKHEAD-rear axle-rear. Complete
25.4305	1	2360653	BULKHEAD-engine. Complete

NOTE: The above complete bulkhead assemblies are available while in current production. If not available it is necessary to order component parts

25.4305	1	N.P.N.	BULKHEAD-front axle, front. Blhd. only. Use 2292801 asm.
25.4305	1	2292220	BULKHEAD-longitudinal. Rear axle to engine bulkheads-RH
25.4305	1	2292221	BULKHEAD-longitudinal. Rear axle to engine bulkheads-LH

NOTE: Air cond. blkhd. shown in group 26.2675 also see group 25.2105 for lower side posts mounted on blkhd's.

25.4310	AR	R 32351	ANGLE-bulkhead-rear axle reinf. plate 3 ft. req'd.
25.4310	AR	R 32758	ANGLE-bulkhead-stiffener. RH longitudinal bulkhead inner & outer. 4 ft. req'd SBF
25.4310	1	2292218	ANGLE-bulkhead-RH longitudinal bulkhead-lower
25.4310	1	2292219	ANGLE-bulkhead-LH longitudinal bulkhead-lower
25.4310	AR	2224659	ANGLE-bulkhead-stiffener. LH longitudinal bulkhead. 60 in. long. CTL
25.4310	AR	R 32760	ANGLE-bulkhead-reinf. engine bulkhead
25.4310	1	2224661	ANGLE-bulkhead-front axle front blkhd. upper support. 102 in. long CTL
25.4310	AR	R 32126	ANGLE-bulkhead-front axle front blkhd. driver's seat floor support. 4 ft. req'd. SBF.
25.4310	1	2373140	ANGLE-bulkhead-RH. Support air beam. At front axle front blkhd.
25.4310	1	2373142	ANGLE-bulkhead-LH supporting air beam. At front axle front blkhd.
25.4310	AR	R 32760	ANGLE-bulkhead-supporting. Front axle front blkhd. step. 3 ft. req'd. SBF
25.4310	2	R 33834	ANGLE-bulkhead-reinf. Air tank to front axle front blkhd. 6 ft. req'd SBF
25.4310	AR	R 32126	ANGLE-bulkhead-supporting. Front axle front blkhd. upper step riser. 1 ft. req'd. SBF
25.4310	AR	R 32126	ANGLE-bulkhead-support. Front axle front blkhd. upper step 2 ft. req'd. SBF
25.4310	AR	R 32126	ANGLE-bulkhead-supporting. Front axle front blkhd. lower step riser. 1 ft. req'd. SBF
25.4310	AR	R 32126	ANGLE-bulkhead-supporting. Front axle front blkhd. lower step. 1 ft. req'd. SBF
25.4310	1	2224661	ANGLE-bulkhead-lower support. Front axle front blkhd., 102 in. long. CTL
25.4310	AR	R 32126	ANGLE-bulkhead-supporting, front axle front blkhd. tire compt. top sheet. 4 ft. req'd. SBF
25.4310	1	2224661	ANGLE-bulkhead-lower support, front axle rear blkhd. 102 in. long. CTL. Rivet 1/4 x 5/8 CTSK. HD. 1/4 x 5/8 mush. hd.
25.4310	3	2295898	ANGLE-bulkhead-RH seat rail support. On front axle rear blkhd. & front inter. Blkhd.
25.4310	1	2295899	ANGLE-bulkhead-LH seat rail support. On front axle rear blkhd., fuel tank blkhd. & front inter. Blkhd.
25.4310	AR	R 32753	ANGLE-bulkhead-air cond. longitudinal blkhd. front support. On front axle rear blkhd. 2 ft. req'd. SBF. Rivet 1/4 x 11/16; 1/4 x 9/16 mush. Hd.
25.4310	AR	R 33717	ANGLE-bulkhead-air beam cover support. On front axle rear blkhd. 2 ft. req'd. SBF Rivet. 3/16 x 9/16. Mush head

25.4310	AR	R 32296	ANGLE-bulkhead-fuel tank blkhd. to air cond. Blkhd. 3 ft. req'd. SBF. Rivet 1/4 x 9/16, 1/4 x 11/16 mush. hd.
25.4310	1	2300324	ANGLE-bulkhead-RH. Attaching air duct, inner. At fuel tank blkhd. Rivet 3/16 x 3/8 mush. hd.
25.4310	1	2270380	ANGLE-bulkhead-bottom, air duct. At fuel tank blkhd. 35-3/8 in. long. CTL. Rivet 3/16 x 7/16, 1/4 x 11/16 mush. hd.
25.4310	2	2291820	ANGLE-bulkhead-RH reinf. Inter. Blkhd. Rivet 3/16 x 9/16 x 3/16 x 11/16 mush. hd.
25.4310	2	2291821	ANGLE-bulkhead-LH reinf., inter. blkhds. Rivet 3/16 x 9/16, 3/16 x 11/16 mush. hd.
25.4310	AR	R 32753	ANGLE-bulkhead-front inter. blkhd. to air cond. blkhd. 3 ft. req'd. SBF. Rivet 1/4 x 9/16 mush. hd.
25.4310	3		ANGLE-bulkhead-RH seat rail. At rear axle blkhd. Pro. loc. Rivet 1/4 x 7/8 mush. hd.
25.4310	3		ANGLE-bulkhead-LH seat rail. At rear axle blkhds. Proc. loc. 1/4 x 7/8 mush. hd.
25.4310	AR	2224659	ANGLE-bulkhead-stiffener. Rear axle rear blkhd. 60 in. long. CTL. Rivet 5/16 x 7/8 mush. hd.
25.4310	AR	R 33717	ANGLE-bulkhead-electrical compt. Wall plate. On rear axle rear blkhd. 3 ft. req'd. SBF
25.4310	AR	R 32797	ANGLE-bulkhead-support, electrical compt. On rear axle rear blkhd. 1 ft. req'd. SBF
25.4310	AR	R 33220	ANGLE-bulkhead-lower. Rear axle rear blkhd. 8 ft. req'd. Rivet 5/16 x 1-5/16 x 7/8 mush. hd.
25.4310	AR	R 32760	ANGLE-bulkhead-gusset support. On rear axle rear blkhd. 1 ft. req'd. SBF. Rivet 5/16 x 1-1/8 mush. hd.
25.4310	1	2294924	ANGLE-bulkhead-rear axle rear blkhd. To side panel
25.4310	1	2297011	ANGLE-bulkhead-radiator door lower front clip. On engine blkhd. #2291879
25.4310	1	2224661	ANGLE-bulkhead-upper. On engine blkhd. 102 in. long. CTL. Rivet 1/4 x 11/16 mush. hd.
25.4310	1	2291810	ANGLE-bulkhead-floor support. On engine bulkhead. Rivet 5/16 x 3/4 mush. hd.
25.4310	1	2294922	ANGLE-bulkhead-center reinf. On engine blkhd. Rivet 5/16 x 3/4, 5/16 x 5/16 mush. hd.
25.4310	AR	R 32822	ANGLE-bulkhead-RH lower. On engine blkhd. 8 ft. req'd. SBF. Rivet 5/16 x 3/4 mush. hd.
25.4318	1	2297889	BRACKET-blkhd.-RH reinf. Spare Tire compt. Bottom plate. On front axle front blkhd.
25.4318	2	2304373	BRACKET-bulkhead-support, height control valve. On rear axle front blkhd. Rivet 1/4 x 5/8 mush. hd. Prior to chassis #4266
25.4318	4	2298038	BRACKET-bulkhead-dust shield eye bolt. On engine blkhd. Approx. 2-1/8 in. high. Rivet 5/16 x 15/16 mush. hd.
25.4318	2	2407311	BRACKET-bulkhead-support, height control valve. On rear axle frt. blkhd. Rivet 1/4 x 5/8 in. mush. hd. Effective w/chassis #4266
25.4318	2	2298086	BRACKET-bulkhead-dust shield eye bolt. On engine blkhd. Approx. 3-3/4 in. high. Rivet 5/16 x 15/16 mush. hd.
25.4318	1	2294543	BRACKET-bulkhead-lower, control bellcrank. On engine blkhd. Rivet 5/16 x 3/4, 5/16 x 5/16 mush. hd.
25.4323	1	2300803	CHANNEL-bulkhead-air duct front RH insulation. At front axle rear blkhd. .21 in. long. Rivet 3/16 x 1/2 mush. hd.
25.4323	1	2300804	CHANNEL-bulkhead-air duct front insulation. At front axle rear blkhd. 30-3/4 in. long. Rivet 3/16 x 1/2 mush. hd.
25.4323	1	2300050	CHANNEL-bulkhead-RH air duct. At fuel tank blkhd. Rivet 3/16 x 3/8 mush. hd.
25.4323	1	2300807	CHANNEL-bulkhead-fuel tank blkhd. insulation. 22-5/16 in. long. Rivet 3/16 x 3/8 mush. hd.
25.4330	1		CLIP-bulkhead-seat, support rail. On engine blkhd. Proc. loc. Rivet 5/16 x 15/16 mush. hd.
25.4335	1	2292215	GUSSET-bulkhead-longitudinal to engine bulkhead-LH
25.4335	1	2310335	GUSSET-bulkhead-longitudinal to engine bulkhead-RH
25.4335	1	2292813	GUSSET-bulkhead-front axle front blkhd. corner. Rivet 1/4 x 7/8 mush. hd.
25.4338	1	2292817	PANEL-bulkhead-closure, tire compartment at front axle front blkhd. Rivet 1/4 x 9/16, 1/4 x 3/4 mush. hd.
25.4340	1	2291328	PLATE-bulkhead-reinf. Rear axle rear blkhd. 11-1/8 x 27-1/8 rivet 1/4 x 5/8 mush. hd.
25.4340	1	2291330	PLATE-bulkhead-reinf. Rear axle rear blkhd. 15-1/2 x 27-1/8 rivet 1/4 x 5/8 mush. hd.
25.4353	2	2016187	RETAINER-bulkhead-nut. RH air duct channel at fuel tank blkhd.
25.4353	1	2294059	RETAINER-bulkhead-RH, baggage compt. door seal. On front axle rear blkhd. Repl. 2291399
25.4353	1	2294060	RETAINER-bulkhead-LH, baggage compt. door seal. On front axle rear blkhd. Repl. 2291400
25.4353	1	2294059	RETAINER-bulkhead-RH, baggage compt. door seal. At rear axle front blkhd. Rivet 5/16 x 1 mush. hd.
25.4353	1	2294060	RETAINER-bulkhead-LH, baggage compt. door seal. At rear axle front blkhd. Rivet 5/16 x 1 mush. hd.
25.4353	1	2298005	RETAINER-bulkhead-elect. Compt. Seal. On rear axle rear blkhd.
25.4359	4	2248137	RIVNUT-bulkhead-air beam cover supt. angle to front axle rear blkhd.
25.4359	4	2243272	RIVNUT-bulkhead-air duct, channel to fuel tank blkhd.
25.4365	1	2299338	STIFFENER-bulkhead-LH

25.4365	7	2291814	STIFFENER-bulkhead-inter blkhds. 34-3/16 in. long CTL. Rivet 3/16 x 1/2, 3/16 x 3/8 mush. hd.
25.4365	AR	2224659	STIFFENER-bulkhead-rear axle front blkhd. 60 in. CTL. Rivet 1/4 x 11/16 mush hd.
25.4365	2	2079478	STIFFENER-bulkhead-rear axle rear blkhd. 34-3/16 in. long. CTL.
25.4380	1	2291871	SUPPORT-bulkhead-RH floor rail to front axle rear blkhd. Rivet 1/4 x 5/8 mush hd.
25.4380	1	2291315	SUPPORT-bulkhead-front, floor rail. At fuel tank blkhd.
25.4380	1	2291314	SUPPORT-bulkhead-rear, floor rail. At fuel tank blkhd. Rivet 1/4 x 5/8, 1/4 x 9/16 mush. hd.
25.4380	1	2300020	SUPPORT-bulkhead-heater pipe. On engine blkhd. Rivet 1/4 x 5/8, 1/4 x 13/16 mush. hd.
25.4380	4	2291315	SUPPORT-bulkhead-front, floor rail. At inter. Blkhds. Rivet 3/16 x 1/2, 1/4 x 5/8 mush. hd.
25.4380	2	2291313	SUPPORT-bulkhead-RH rear, floor rail. At inter. Blkhds. Rivet 3/16 x 1/2, 1/4 x 5/8 mush. hd.
25.4380	2	2291314	SUPPORT-bulkhead-LH rear, floor rail. At inter. blkhds. Rivet 3/16 x 1/2, 1/4 x 5/8 mush. hd.
25.4380	3	R 32207	SUPPORT-bulkhead-control rod cover. At inter. & rear axle front blkhds. 6 ft. req'd. SBF.
25.4380	1	2291304	SUPPORT-bulkhead-RH floor rail. At rear axle front blkhd. Rivet 1/4 x 5/8 CTSK HD, 1/4 x 5/8 mush. hd.
25.4380	1	2291305	SUPPORT-bulkhead-LH floor rail. At rear axle front blkhd. Rivet 1/4 x 5/8 CTSK HD, 1/4 x 5/8 mush. hd.
25.4383	2	2292216	TEE-bulkhead-upper. Longitudinal blkhd.
25.4383	AR	R 33558	TEE-bulkhead-upper support. At front axle rear blkhd. 8 ft. req'd. SBF. Rivet 1/4 x 5/8 mush. hd.
25.4383	AR	R 33558	TEE-bulkhead-upper. Fuel tank blkhd. 5 ft. SBF. Rivet 1/4 x 9/16 mush. hd.
25.4383	1	2224896	TEE-bulkhead-lower, fuel tank blkhd. 71 in. long-CTL. Rivet 1/4 x 9/16 mush. hd. Repl. 2296218.
25.4383	AR	R 33558	TEE-bulkhead-upper. Inter. Blkhds. 16 ft. req'd. SBF. Rivet 3/16 x 7/16 mush. hd.
25.4383	1	2291302	TEE-bulkhead-upper, rear axle front blkhd. Rivet 5/16 x 3/4 mush. hd.
25.4383	1	R 35451	TEE-bulkhead-upper, rear axle rear blkhd. 8 ft. req'd. SBF. Rivet 5/16 x 13/16 mush. hd. Repl. 2291323
25.4395	1	2297839	TEE-bulkhead-upper, front stepwell. At front axle front blkhd. Rivet 3/16 x 3/8 mush hd.

DOORSFRONT DOOR

25.4605	1	2357934	DOOR-front-incl. inner & outer panels and window frames. Eff w/1966. Repl. 2298082.
---------	---	---------	---

NOTE: The above door assembly does not include glass, hinges, bearings, mouldings, seals etc.

25.4607	3	148407	BEARING-front door hinge
25.4623	1	2297917	BRACKET-front door window keeper.
25.4630	1	2296633	COVER-front door inner panel.
25.4650	1	2318093	GLASS-front door.
25.4657	1	2300756	GUARD-finger front door. Prior to 1566.
25.4657	1	2357923	GUARD-finger, front door. Eff w/1566 thru 3865 thru 3865.
25.4657	1	2384527	GUARD-finger, front door-effective w/chassis #3866.
25.4657	1	2307232	GUARD-finger, front door-upper hinge. Prior to 1566.
25.4657	1	2357922	GUARD-finger front door-upper hinge. W/1566 eff thru 3865.
25.4657	1	2384528	GUARD-finger, front door-upper hinge effective w/chassis #3866.
25.4662	1		HANDLE-pull, front door-part of door. Rivet 3/16" x 7/16" mush.
25.4665	1	2300076	HINGE-front door-upper. Body half-incl. pin.
25.4665	1	2312118	HINGE-front door-upper. Body half-incl. pin. Eff w/chassis #810.
25.4665	1	2300381	HINGE-front door-lower. Body half.
25.4665	1	2299264	HINGE-front door-upper. Door half.
25.4665	1	2311781	HINGE-front door-upper. Door half. Eff w/chassis #810.
25.4665	1	2298933	HINGE-front door-lower. Door half.
25.4670	3	2297271	MOULDING-front door-trim. Inter.
25.4670	1	2301866	MOULDING-front door-trim. Lower.
25.4693	6	5933340	NUT-front door inner panel-tinnerman. Prior to chassis #1566.
25.4695	1	2357935	PANEL-front door-outer upper. Part of door. Rivet 3/16 x 1/2, 7/16 mush.

25.4695	1	2357936	PANEL-front door-outer lower. Part of door. Rivet 3/16 x 1/2, 7/16" mush.
25.4695	1	2297273	PANEL-front door-outer-fluted.
25.4695	1	2343222	PANEL-front door-trim. Inner. Prior to 1966.
25.4695	1	2297272	PANEL-front door-trim. Outer-inter.
25.4695	1	2296616	PANEL-front door-trim. Outer-lower. under window.
25.4695	1	2297025	PANEL-front door-trim. Inner.
25.4705	1	2313313	REINFORCEMENT-front door window frame-front. Part of door. Rivet 5/16 x 7/8 flat.
25.4705	1	2313314	REINFORCEMENT-front door window frame--rear. Part of door. Rivet 5/16 x 7/8" flat.
25.4715	1	2297916	REGULATOR-front door sash.
25.4727	AR	2335106	RETAINER-front door finger guard-upper 1/8 x 3/4 x 25 in. long. Alum. CTL.
25.4727	1	2300758	RETAINER-front door finger guard-lower-to door. 27-1/8 in. long.
25.4745	AR	R 33646	RETAINER-front door seal-lower. 3 ft. req'd. SBF. Repl. 2296639, 2324814.
25.4745	1	2326397	RETAINER-front door seal-upper. Repl. 2300757.
25.4745	1	2326399	RETAINER-front door seal-rear.
25.4745	1	2300763	RETAINER-front door seal-lower front.
25.4745	1	2326398	RETAINER-front door seal-upper front.
25.4745	AR	R 33646	RETAINER-front door seal-air baffle seal. 2 ft. req'd.
25.4767	2	2227417	RIVET-front door panel-to door.
25.4770	1	2294399	SASH-front door window.
25.4780	AR	2335149	SEAL-front door-lower. 5/8 x 29/32 x 3/16" thk. x 25 ft. long - CTL.
25.4780	AR	2335149	SEAL-front door-air baffle. 5/8 x 29/32 x 3/16" thk. x 25 ft. long - CTL.
25.4780	AR	2300779	SEAL-front door-side & upper. Rubber-87 in. long, 1-3/16 in. wide, 29/32 in. high.
25.4780	1	2311603	SEAL-front door-side-rubber 87 in. long-1-9/32 in. wide, 1-1/32 in. high.
25.4780	AR	R 31189	SEAL-front door-inside trim panel. Rubber strip. SBF.
25.4790	1	2299341	SHIELD-snow front door-lower.
25.4790	1	2299342	SHIELD-snow front door-upper.
25.4790	1	2299343	SHIELD-snow front door-inter.
25.4793	2	2305846	SPACER-front door hinge-mtg.-upper hinge. Eff. w/150.
25.4797	1	2311786	STOP-front door-rubber. Repl. 2305544. When replacing 2305544 w/2311786 it is necessary to use 3/8 x 4-3/8 wool or steel spacer.
25.4813	1	2300378	WASHER-front door hinge-lower hinge. 41/64 ID x 1-1/2 OD x 1/8 thk.
25.4813	1	2300377	WASHER-front door hinge-upper hinge. 5/8 ID x 1-1/2 OD x 1/4 thk. felt.
25.4815	1	2297915	WEATHERSTRIP-front door sash.

SAFETY DOOR

25.4825	1	2292873	DOOR-safety-incl. inner & outer panels.
25.4835	1	2247212	BEARING-safety door lock-upper. Eff w/4103-901
25.4835	1	2247213	BEARING-safety door lock-lower. Eff w/4103-901.
25.4835	2	2292897	BEARING-safety door lock-rod.
25.4840	1	2247208	BUSHING-safety door lock.
25.4855	3	2296514	CLIP-safety door trim moulding-rivet 3/16 x 3/8.
25.4867	1	2294507	FILLER-safety door frame.
25.4875	1	2293734	FRAME-safety door-lower half.
25.4875	1	2293736	FRAME-safety door-upper half.
25.4880	1	2247201	GEAR-safety door lock rod.
25.4905	1	2378103	HANDLE-safety door lock.
25.4910	1	2293777	HINGE-safety door-upper. Repl. 2292877 & 2292878.
25.4910	1	2293778	HINGE-safety door-lower. Repl. 2292879 & 2292880.
25.4920	1	2247235	LATCH-safety door-incl. spring.
25.4930	1	2247237	LOCK-safety door-incl. shaft, plate, bushing handle & washer.
25.4935	1	2298027	MOULDING-safety door-trim-lower inter. Under window 31-1/16 in. long.
25.4935	1	2224881	MOULDING-safety door-inside trim panel. 117 in. long, cut to 23-3/4 in. long.
25.4945	1	2295219	PANEL-safety door-outer.

NOTE: Items coded CP must be purchased from Cadillac Products Co. Ferndale, Michigan.

25.4945	1	2303762	PANEL-safety door-inside trim. Metallic green. Std. prior to chassis #1566-CP.
25.4945	1	2341857	PANEL-safety door-inside trim. Metallic green. Std. eff. w/chassis #1566 thru 1965-CP.
25.4945	1	2357925	PANEL-safety door-inside trim. Metallic green. Eff. w/1966 thru 3865-CP.
25.4945	1	2384354	PANEL-safety door-inside trim. Virginia charcoal effective w/chassis #3866-CP.
25.4945	1	2299210	PANEL-safety door-inside trim-lower.

25.4950	2	2247211	PAWL-safety door lock.
25.4970	1	2247214	PLATE-safety door lock.
25.4973	1	2303037	PLATE-safety door lock switch-support.
25.4980	1	2305838	PLATE-scuff safety door-door lock-at door frame.
25.4985	1	2247533	PLATE-striker safety door lock-9/16 x 3-21/32 w/two 1/2 in dia. holes.
25.4985	1	2294113	PLATE-striker safety door lock-1-1/8 x 3-1/2.
25.4995	1	2247552	REINFORCEMENT-safety door-lock thrust plate.
25.5010	2	2227417	RIVET-safety door lock switch plate-to post. 3/16 x 3/16.
25.5015	2	2244673	RIVET-safety door panel-3/16 x 1/8.
25.5015	6	2227416	RIVET-safety door panel-3/16 x .74.
25.5016	4	2228368	RIVNUT-safety door-catch to door screw. 7/16 in. long.
25.5035	1	2292896	ROD-safety door lock.

NOTE: Refer to group 25.5615 for sash

25.5040	AR	R 35085	SEAL-safety door-frame joing. 1-3/32 x 1-34 M shaped. 2 ft. req'd. SBF.
25.5040	AR	2378678	SEAL-safety door-23/32 in. wide on 3 sides, 5/8" wide on other side x 81" long. CTL.
25.5050	1	2247236	SHAFT-safety door lock-incl. gear.
25.5063	1	2297017	SPACER-safety door reinforcement.
25.5065	1	2247206	SPRING-safety door latch.
25.5080	1	2357924	STRAP-safety door check. Eff. w/1566 thru #3865.
25.5105	1	2247240	WASHER-safety door lock handle.

FRONT DOOR OPERATING MECHANISM

25.5127	2	954247	BEARING-door control handle knob-Stpd. #88013XIC.
25.5130	1	148404	BEARING-door operating rod-inner eye-stpd. B-912. Prior to chassis #810.
25.5130	1	455267	BEARING-door operating rod-outer eye. Needle brg.-9/16 in. ID stpd. B-98. Repl. 455772.
25.5130	1	148410	BEARING-door operating rod-inner. B-1212 eff. w/chassis #810.
25.5133	2	148409	BEARING-door operating handle bracket.
25.5135	1	2304681	BOLT-door operating handle lever-to rod. Prior to chassis #810.
25.5135	1	2311774	BOLT-door operating handle lever-to rod. Eff. w/chassis #810.
25.5150	1	2305282	BRACKET-door operating handle-incl. brg. Prior to chassis #810. Bolt 1/4-20 x 1 rib carriage, 5/16-18 x 3/4 hex. hd.
25.5150	1	2312074	BRACKET-door operating handle-incl. brg. Eff. w/chassis #810. Bolt 1/4-20 x 1 rib carriage, 5/16-18 x 3/4 hex hd.
25.5173	1	2301871	COVER-door operating rod-prior to chassis #810. Screw #10-32 x 3/8 pan hd., tapping.
25.5173	1	2311773	COVER-door operating rod-eff. w/chassis #810. Screw #10-12 x 1/2 pan hd., tapping.
25.5183	1	073413	GROMMET-door release rod-outside release rod eff. w/chassis #810.
25.5185	1	2298359	HANDLE-front door operating-less knob, pin, shaft & brg.
25.5193	1	2141525	KNOB-door operating handle.
25.5200	1	2298404	LEVER-door control handle-prior to chassis #810.
25.5200	1	2311771	LEVER-door control handle-eff. w/chassis #810.
25.5200	1	2311780	LEVER-door control handle-outside release rod-at handle shaft eff. w/chassis #810.
25.5200	1	2298426	LEVER-door control handle-outside release rod-at handle shaft.
25.5203	1	219759	NUT-door operating rod turnbuckle-RH. Used w/rod having 8-5/8 in. turnbuckle.
25.5203	1	2311767	NUT-door operating rod turnbuckle-RH. Used w/rod having 4 in. turnbuckle, eff. w/chassis #810.
25.5203	1	2310484	NUT-door operating rod turnbuckle-LH. Used w/rod having 8-5/8 in. turnbuckle.
25.5203	1	2311793	NUT-door operating rod turnbuckle-LH. Used w/rod having 4 in. turnbuckle. Eff. w/chassis #810.
25.5215	1	2107671	PIN-door operating handle knob.
25.5217	1	2298421	PIN-door operating rod-to door. Prior to chassis #810. Set screw 1/4-20 x 1/4.
25.5217	1	2311770	PIN-door operating rod-to door. Eff. w/chassis #810. Set screw 1/4-20 x 1/4.
25.5227	1	2107675	RING-door operating handle knob brg.
25.5230	1	2310814	ROD-door operating-inner-used w/8-5/8 in. turnbuckle.
25.5230	1	2311762	ROD-door operating-inner-used w/4 in. turnbuckle, eff. w/chassis #810.
25.5230	1	2310815	ROD-door operating-outer-used w/8-5/8 in. turnbuckle.
25.5230	1	2311759	ROD-door operating-outer-used w/4 in. turnbuckle, eff. w/chassis #810.
25.5235	1	2298423	ROD-door lock release-prior to chassis #810.
25.5235	1	2311776	ROD-door lock release-eff. w/chassis #810.
25.5240	1	2044688	SCREW-door operating handle-lever stop.
25.5255	1	2298368	SHAFT-door operating handle-incl. plate. Prior to chassis #810.
25.5255	1	2311768	SHAFT-door operating handle-incl. plate eff. w/chassis #810.
25.5280	1	2190614	SPRING-door lock release rod-outside release rod. Prior to chassis #810.

25.5280	1	2312060	SPRING-door lock release rod-outside release rod. Eff. W/chassis #810.
25.5283	1	2311786	STOP-door bumper-rubber. At RH front corner post prior to chassis #810. Screw 1/4-20 x 1 pan hd., tapping. Repl. 2305544. When repl. 2305544 W/2311786 it is necessary to use 3/8 x 4-3/8 wool or steel spacer.
25.5297	1	2310481	TURNBUCKLE-door operating rod-eye to rod 8-5/8 in. long. Repl. 2298385.
25.5297	1	2311766	TURNBUCKLE-door operating rod-eye to rod 4 in. long, Eff W/chassis #810.
25.5305	1	2304682	WASHER-door operating-lever to rod bolt. 1-9/32 ID x 1-1/4 OD x .0897 thk. Prior to chassis #810.
25.5305	1	2328827	WASHER-door operating-control handle lever. 25/32 ID x 1-3/8 OD x .040 thk. Eff W/chassis #810.

SASH AND GLASSWINDSHIELD

NOTE: W/s ledge shown in group 25.0115.

25.5435	1	2294423	CHANNEL-windshield glass-used W/2294977 W/s glass.
25.5435	1	2339179	CHANNEL-windshield glass-used W/2316669 W/s glass.
25.5435	1	2335066	CHANNEL-windshield glass-10 ft. CTL, used when coach has 2294977 glass and one 2316669 glass is used for replacement.
25.5440	AR	2224702	FILLER-windshield glass retainer-25 ft. long-CTL. Repl. R-35096.
25.5445	2	2316669	GLASS-windshield. Replaces 2294977.

DRIVERS WINDOW

25.5465	1	2294402	SASH-drivers window.
25.5472	1	2321037	BEARING-drivers window sash regulator-ball.
25.5477	1	2297912	BRACKET-drivers window sash keeper-upper front
25.5477	1	2303904	BRACKET-drivers window sash keeper-upper rear
25.5480	1	2297913	BRACKET-drivers window sash pivot-upper.
25.5480	1	2297914	BRACKET-drivers window sash pivot-lower.
25.5510	1	2318094	GLASS-drivers window-front. Curved.
25.5511	1	2382720	HANDLE-drivers window sash regulator-Repl. 2321036.
25.5515	1	2301918	MOULDING-drivers window outside trim-lower
25.5525	1	2295235	PANEL-drivers window-outside
25.5525	1	2295234	PANEL-drivers window-inside
25.5527	1	2321035	PIN-drivers window sash regulator-release
25.5527	1	110740	PIN-drivers window sash-lock release pin. 3/32 x 11/16 steel straight type
25.5533	1	2297910	REGULATOR-drivers window sash-lower front. Incl. bearing, handle, pin & spring
25.5533	1	2297911	REGULATOR-drivers window sash-lower rear
25.5535	AR	2227417	RIVET-drivers window panel-to post
25.5537	12	2248137	RIVNUT-drivers window trim moulding screw
25.5545	1	2300039	SCREEN-drivers window
25.5573	1	2321038	SPRING-drivers window sash regulator
25.5590	1	2297915	WEATHERSTRIP-drivers window sash

SIDE WINDOWS

25.5615	1	2294406	SASH-side window-safety door
25.5615	1	2368589	SASH-side window-#1 RH. Repl. 2294400.
25.5615	1	2368593	SASH-side window-#1 LH.
25.5615	4	2360226	SASH-side window-#2-3-4 and 5 R.H.
25.5615	3	2360227	SASH-side window-#2-3 and 4. L.H.
25.5615	1	2294405	SASH-side window-#5 LH
25.5615	1	2294407	SASH-side window-#6 LH prior to chassis 2916.
25.5615	1	2370513	SASH-side window-#6 LH. Eff W/chassis #2916
25.5620	7	2297919	COVER-side window
25.5653	21	2297918	LATCH-side window safety lock-prior to chassis #1301
25.5653	21	2330594	LATCH-side window safety lock-Eff W/chassis #1301
25.5655	AR	2320224	LOCK-side window sash-RH
25.5657	1	2301209	MOULDING-side window trim-#1 RH. Also see SL-12048
25.5657	1	2301210	MOULDING-side window trim-#1 LH
25.5657	1	2301297	MOULDING-side window trim-RH lower
25.5660	1	2294978	PANEL-side window-#1 RH. outside. Also see SL-12048-
25.5660	1	2294979	PANEL-side window-#1 LH. outside.
25.5660	1	2294053	PANEL-side window-#2 RH. outside.
25.5660	1	2294054	PANEL-side window-#2 LH. outside.
25.5660	1	2294055	PANEL-side window-#3 RH. outside.
25.5660	1	2294056	PANEL-side window-#3 LH. outside.

25.5660	1	2304630	PANEL-side window-#4 RH. Outside.
25.5660	1	2304631	PANEL-side window-#4 LH. Outside.
25.5660	1	2294916	PANEL-side window-#5 RH. Outside.
25.5660	1	2294911	PANEL-side window-LH front of safety door.
25.5660	1	2294912	PANEL-side window-LH-rear of safety door.
25.5661	21	2337399	PLUG-sash weatherstrip
25.5662	14	2301886	PLATE-side plate instruction-emergency
25.5663	2	2224869	RAIL-side window panel-#1 RH and LH-upper
25.5663	6	2293769	RAIL-side window panel-#2, 3 and 4 RH and LH-upper
25.5663	1	2297282	RAIL-side window panel-#5 RH-upper
25.5663	1	2297021	RAIL-side window panel-LH upper. Front of safety door
25.5663	1	2296300	RAIL-side window panel-LH upper. Front of safety door
25.5663	8	2224870	RAIL-side window panel-#1, 2, 3, and 4 RH and LH. Lower 3 ft. long. CTL
25.5663	1	2224865	RAIL-side window panel-LH lower. Front of safety door 2 ft. long. CTL
25.5665	1	2297923	REGULATOR-side window sash-#6 LH. Prior to chassis #2916.
25.5675	AR	2227417	RIVET-side window panel-to post
25.5710	1	2297924	WEATHERSTRIP-side window sash-safety door window.
25.5710	2	2320845	WEATHERSTRIP-side window sash-#1 RH and LH. 96 in. long. Repl. 2297925.
25.5710	2	2320844	WEATHERSTRIP-side window sash-#5 and 6 LH. 78 in. long. Repl. 2297922.
25.5710	7	2320842	WEATHERSTRIP-side window sash-top and bottom. 134 in. long. Repl. 2297920.
25.5710	14	2297921	WEATHERSTRIP-side window sash-bottom. 22-1/2 in. long

REAR WINDOW

25.5755	1	2293500	CHANNEL-rear window glass.
25.5757	4	2302695	COVER-rear window post-mounted at rear seat back.
25.5760	AR	2335017	FILLER-rear window glass-25 ft. roll-CTL. Prior to chassis #401. Repl. 3847415.
25.5760	AR	2224702	FILLER-rear window glass-255 in. req'd. Eff W/chassis #401, 25 ft. roll-CTL. Repl. R-35096.
25.5765	1	2293714	GLASS-rear window-RH
25.5765	1	2293715	GLASS-rear window-LH
25.5765	1	2293716	GLASS-rear window-Center
25.5770	1	2292898	PANEL-rear window-upper
25.5770	1	2293770	PANEL-rear window-lower

SEATINGSEATS

NOTE: Seats and replacement parts may be ordered from the seat manufacturer by referring to the seat number indicated on final vehicle record.

25.5820	1	2299350	ANGLE-seat back support-front.
25.5820	1	2300001	ANGLE-seat back support-rear.
25.5910	1	2297339	COVER-seat back inspection hole.
25.5915	1	2298950	COVER-seat back panel.
25.5970	1	2297097	PANEL-rear seat back-upper. Prior to chassis 1966.
25.5970	1	2360651	PANEL-rear seat back-upper. Eff. w/chassis 1966 thru 2915 repl. 2357945.
25.5970	1	2297097	PANEL-rear seat back-upper. Eff. w/chassis #2916.
25.5970	1	2292288	PANEL-rear seat back-lower.
NOTE: Items coded H or CP must be purchased from Haskelite Co., Grand Rapids, Michigan or Cadillac Products Co. Ferndale, Michigan.			
25.5970	1	2341841	PANEL-rear seat back trim lower-at heelboard. Grey. Eff. w/chassis #1566.
25.5970	1	2358675	PANEL-rear seat back-trim. Lower. At heelboard. Metallic green. Eff. w/chassis 1966 thru 3865-CP.
25.5970	1	2383245	PANEL-rear seat back-trim. Lower at heelboard Virginia charcoal. Effective w/chassis #3866-CP.
25.5970	1	2303752	PANEL-rear seat back-trim lower. At heelboard. Metallic green. Prior to chassis #1566.
25.5995	2	NPN	PLATE-seat leg bolt support-3 in. x 30 in. proc. loc.
25.5995	1	NPN	PLATE-seat leg bolt support-3 in. x 16-1/2 in.
25.5995	2	NPN	PLATE-seat leg bolt support-3 in. x 14-3/4 in.
25.5997	AR	2224897	RAIL-seat support-10 ft. long CTL.
25.6000	1	2297341	REINFORCEMENT-seat back-air muffler.
25.6000	2	2297342	REINFORCEMENT-seat back-fuel line junction bracket.
25.6005	2	2305209	RETAINER-seat back panel-upper.
25.6025	3	2248137	RIVNUT-heat deflector shield-to seat back lower panel.
25.6030	16	2243318	RIVNUT-seat back screw-inspection hole cover.
25.6030	AR	2279500	RIVNUT-seat back screw. 7/8 long.
25.6030	AR	2273809	RIVNUT-seat back screw. 3/4 long.
25.6035	AR	2299597	RIVNUT-seat support rail-rail.
25.6035	12	2262459	RIVNUT-seat support rail-leg support plate.
25.6040	1	R 33261	SEAL-felt rear cross seat-8 ft. req'd. SBF.
25.6055	AR	R 32699	SEAL-seat back panel cover-felt 81 in. req'd. prior to chassis #4266.
25.6055	AR	2224760	SEAL-seat back panel cover-rubber. 81 in. req'd. 5/8 x 5/8 x 48 in. long, sponge rubber. Eff. w/chassis #4265.
25.6055	AR	2224723	SEAL-seat back panel cover-inspection cover. 2 ft. long-CTL.
25.6060	1	2300338	SHIELD-heat deflector-upper.
25.6060	1	2299190	SHIELD-heat deflector-lower.
25.6070	1	2299250	SHIELD-inspection hole cover.
25.6080	2	2244930	STUD-rear cross seat cushion retaining.
25.6110	1	2292289	SUPPORT-rear seat back-RH.
25.6110	1	2292290	SUPPORT-rear seat back-LH.
25.6115	AR	R 35590	TRIM-seat back-rubber-4 ft. req'd-SBF.

HEATER AND DEFROSTER

25.6165	1	2368351	HEATER-front-complete. Incl. clamps, clips, core, disc, warmer door, motor, nut, plug, wheel and hoses. Eff. w/chassis #2916. Repl. 2301777 which was used prior to chassis #2166 and 2361101 which was used on chassis 2166 thru 2915.
25.6167	1	2339696	KIT-blower lubrication.
25.6168	1	2343341	ADAPTER-blower grease line.
25.6185	1	2304393	ANGLE-heating & evaporator filter frame-upper. Incl spring.
25.6185	1	2360716	ANGLE-heating & evaporator filter frame-lower. Repl. 2304398
25.6188	1	5083192	ARMATURE-defroster motor-part of 5095467, 5071165 motor.
25.6190	1	5519885	ARMATURE-underfloor heater blower motor-incl commutator, disc, fan & shaft.
25.6191	2	2372306	ARMATURE-front heater motor-prior to chassis #2916. Part of 2306354 motor.
25.6191	2	2373614	ARMATURE-front heater motor-part of 2371417 motor.
25.6191	2	2379324	ARMATURE-front heater motor-part of 2379322 motor.
25.6200	2	2008507	BAND-windshield defroster fan-clamp.
25.6208	1	2315941	BEARING-heating & air cond. evaporator blower-drive side.
25.6208	1	2315942	BEARING-heating & air cond. evaporator blower-inlet side.
25.6208	2	954357	BEARING-heating & air cond. evaporator blower-motor. CE & DE Stpd. #C-88504XIC. Part of motor.
25.6215	1	2299967	BELT-heating & evaporator blower.

25.6225	1	NPN	BLOWER-heating and air conditioning evaporator-consist of 1-2315934 Hsg., 1-2315935 wheel, 1-2315936 collar, 1-2315937 pulley, 1-2315938 shaft, 1-2315939 extension 1-2315940 slinger, 1-2315941 brg, 1-2315942 brg., 1-2318042 key.
25.6226	1	2318048	BODY-front heater air intake hood-part of hood w/23-5/8 overall lgth.
25.6235	2	1114006	BOLT-heater blower motor-underfloor. 5/16-18 x 8 rd-hd. Part of motor.
25.6235	4	2373620	BOLT-heater blower motor-brush. Front heater part of #2371417 motor #10-32 x 3-3/4 effective w/chassis #2916.
25.6235	4	2379327	BOLT-heater blower motor-brush. Front heater #10-32 x 4-1/8 part of 2379322 motor.
25.6240	1	2303971	BOLT-heater blower motor bracket-pivot. Heating & evaporator.
25.6245	AR	2304216	BOLT-heater to floor-heater core & blower mtg.
25.6260	1	2307218	BRACKET-air deflector-RH
25.6270	1	2306353	BRACKET-front heater intake hood clip-part of hood w/27-5/8 overall lgth.
25.6270	1	2318051	BRACKET-front heater intake hood clip-part of hood w/23-5/8 overall lgth.
25.6285	1	2303967	BRACKET-heater blower motor-adjusting. Heating & evaporator.
25.6290	1	5519870	BRACKET-heater blower motor brush-underfloor incl spring. Part of frame.
25.6300	1	2008508	BRACKET-windshield defroster fan-swivel.
25.6300	4	5064255	BRACKET-windshield defroster fan-guard. Part of fan #5064252. Prior to chassis 1566.
25.6304	1	5058320	BRUSH-defroster motor-part of 5071165 motor.
25.6304	1	5087388	BRUSH-defroster motor-part of 5095467 motor repl. 5058640.
25.6305	4	2372307	BRUSH-front heater motor-w/spring. Prior to chassis #2916. Part of 2306354 motor.
25.6305	4	2373617	BRUSH-front heater motor-w/spring. Effective w/chassis #2916. Part of 2371417, 2379322 motors.
25.6310	2	5519864	BRUSH-underfloor heater blower motor--incl head, staked. Part of frame.
25.6316	2	2370761	BUSHING-front heater intake hood-rod. Eff.w/chassis #2916.
25.6320	2	5519856	BUSHING-underfloor heater blower motor-insulating. Terminal stud. Part of coil .378 ID x .558 OD x .458 In. long
25.6323	4	2249511	CAP-heater motor brush-front heater. Prior to chassis #2916. Part of 2306354 motor.
25.6323	4	2373619	CAP-heater motor brush-front heater effective w/chassis #2916. Part of 2371417 2379322 motors.
25.6325	1	2306356	CABLE-front heater-flexible.
25.6335	1	2304604	CHANNEL-heating & evaporator filter frame-LH.
25.6345	1	2306364	CLAMP-front heater cable-part of 2301777 front heater.
25.6353	AR	2322683	CLAMP-heater core-2361101 & 2301777 front heater.
25.6354	4	5064254	CLAMP-w/s defroster fan guard-prior to chassis 1566.
25.6360	1	2306367	CLIP-front heater intake hood-speed. Prior to chassis #2916. Part of hood w/27-5/8 overall length.
25.6360	1	2371424	CLIP-front heater intake hood-positioning. Eff. w/chassis #2916.
25.6365	1	2306357	CLIP-heater mounting-short-front heater prior to chassis #2916.
25.6365	1	2306358	CLIP-heater mounting-long-front heater prior to chassis #2916.
25.6365	1	2308944	CLIP-heater mounting-heater core.
25.6367	1	114981	LOCK-heater core-vent. 1/8 x 7/8 type C.
25.6370	1	5519863	COIL-underfloor heater blower motor-incl. coil, frame, insulator, pin, lead, screw, shoe, stud & washer. Part of underfloor motor.
25.6370	1	5519859	COIL-under floor heater blower motor- less parts.
25.6372	1	2315936	COLLAR-heating & air cond. evaporator blower-inlet. W/brg. support.
25.6380	1	5527399	COMMUTATOR-underfloor heater blower motor armature-part of armature.
25.6387	2	2343338	CONNECTOR-blower grease line.
25.6390	1	2306355	CORE-heater-front. Prior to chassis #2916.
25.6390	1	2371419	CORE-heater front.
25.6390	1	2293469	CORE-heater-underfloor.
25.6395	1	2306359	COVER-heater access hole.
25.6415	1	2305237	COVER-drivers air outlet-incl. brkt.
25.6420	1	2304668	COVER-heater core shroud-underfloor heater.
25.6421	1	2371421	COVER-heater intake chamber
25.6423	2	1055445	COVER-underfloor heater blower motor-CE frame. Part of motor.
25.6430	1	2305214	DAMPER-drivers air outlet-RH.
25.6430	1	2305847	DAMPER-drivers air outlet-LH.
25.6435	1	2306361	DAMPER-front heater. Prior to chassis #2916.
25.6440	1	2305297	DEFLECTOR-defroster-LH center outlet.
25.6440	1	2318800	DEFLECTOR-defroster-RH outlet. Eff. w/chassis #943.
25.6440	2	2318790	DEFLECTOR-defroster-center outlet. Eff. w/chassis #943.
25.6440	1	2319249	DEFLECTOR-defroster-LH outlet. Eff. w/chassis #943.

25.6445	2	2307219	DEFLECTOR-air-front.
25.6458	1	6319079	DISC-balancing, underfloor heater motor armature-part of armature.
25.6460	2	2306363	DISC-mounting, front heater blower motor prior to chassis #2916.
25.6465	1	2306360	DOOR-foot warmer-prior to chassis #2916.
25.6471	1	2343340	ELBOW-union, blower grease line.
25.6472	1	2315939	EXTENSION-heating & air cond. evaporator blower fan hsg.
25.6480	1	5519868	FAN-heater motor-underfloor heater motor armature. Part of armature.
25.6485	1	5095420	FAN-windshield defroster-incl. motor, fan & guard. Prior to chassis 1566. Repl. 5064252.
25.6485	1	5063988	FAN-windshield defroster-less motor & guard prior to chassis 1566.
25.6490	1	2299976	FILTER-air heating & cooling.
25.6492	1	2371420	FLANGE-front heater intake chamber.
25.6500	1	5519875	FRAME-underfloor heater blower motor end-CE incl. brush, brkt., screw & washer. Part of motor.
25.6500	1	5382098	FRAME-underfloor heater blower motor end-DE part of motor.
25.6530	2	5063989	GUARD-blower motor-w/s defroster fan. Front prior to chassis 1566.
25.6530	2	5063991	GUARD-blower motor-w/s defroster fan. Rear prior to chassis 1566.
25.6530	2	5095555	GUARD-blower motor-w/s defroster fan-front. Eff.w/chassis 1566.
25.6530	2	5095557	GUARD-blower motor-w/s defroster fan-rear. Eff. w/chassis 1566.
25.6530	2	2373615	HEAD-heater motor-brush end. Front heater part of 2373417 motor.
25.6530	2	2379325	HEAD-heater motor-brush end. Front heater part of 2379322 motor.
25.6530	2	2373616	HEAD-heater motor-opposite brush end. Front heater. Part of 2371417 motor.
25.6530	2	2379326	HEAD-heater motor-opposite brush end. Front heater. Part of 2379322 motor.
25.6538	2	2373627	HEAD-heater motor-front. Front heater prior to chassis #2916. Part of 2306354 motor.
25.6538	2	2373628	HEAD-heater motor-rear. Front heater prior to chassis #2916. Part of 2306354 motor.
25.6540	1	2369541	HOOD-front heater air intake-incl. plate, lever, clip, bushing and seals. Repl. 2301776, 2316985.
25.6543	4	2373618	HOLDER-front heater motor brush-part of #2371417, 2379322 motors.
25.6545	AR	2335143	HOSE-defroster-6 ft. long. SBF.
25.6550	1	2315934	HOUSING-blower-heating & air cond. evaporator fan.
25.6558	1	5519855	INSULATOR-underfloor blower motor-terminal stud. 7/8 x 1-15/16 w/two .380 dia. holes. Part of coil.
25.6561	1	2371415	JACKET-heater-front heater. Effective w/chassis #2916.
25.6562	1	2318042	KEY-heating & air cond. Evaporator blower-sheave.
25.6565	1	5301384	KEY-underfloor heater blower motor shaft-3/16 x 3/16 x 1. part of motor.
25.6573	2	5391257	LEAD-connecting, heater blower motor coil-15/16 in. long w/one .197 dia. hole. Part of coil.
25.6574	1	2371423	LEVER-front heater intake hood control-Eff. w/chassis #2916.
25.6577	1	2343337	LINE-grease, blower.
25.6580	1	2306352	LINK-front heater intake hood control-part of hood w/27-5/8 overall lgth.
25.6580	1	2318050	LINK-front heater intake hood control-part of hood w/23-5/8 overall lgth.
25.6585	1	5095467	MOTOR-defroster blower-w/s fan-incl. armature, brush, plate & spring. Repl. 5071165.
25.6590	2	2306354	MOTOR-heater-front heater blower prior to chassis #2916.
25.6590	2	2379322	MOTOR-heater-front heater blower. Stpd. #52-018. Replaces 2371417. Stpd. #52-009 effective w/chassis #2916.
25.6590	1	5397081	MOTOR-heater-underfloor heating & evaporator blower. Complete. Repl. 5332429.
25.6595	10	2225335	NUT-air deflector screw-tinnerman-to rail.
25.6600	2	049681	NUT-heater blower motor brush screw-underfloor. #10-32. Part of end frame.
25.6605	4	2306368	NUT-heater blower motor disc screw-speed prior to chassis #2916.
25.6610	2	042455	NUT-heater blower motor thru bolt-underfloor. 5/16-18. Part of motor.
25.6612	2	2343339	NUT-compression, blower grease line.
25.6622	8	5040607	NUT-w/s defroster fan-guard to motor prior to motor prior to chassis 1566.
25.6630	1	2305217	OUTLET-air, drivers.
25.6635	1	2303096	OUTLET-w/s defroster-RH.
25.6635	1	2401363	OUTLET-w/s defroster-LH.
25.6635	2	2302290	OUTLET-w/s defroster-center.
25.6638	2	038182	PIN-underfloor blower motor-dowel. end frame 1/4 in. long. Straight knurl. Part of coil.
25.6640	1	5076014	PLATE-defroster blower motor mtg.-brush. Part of 5071165 motors.
25.6640	1	5055206	PLATE-defroster blower motor mtg.-brush. Part of 5095467 motor.
25.6643	1	2371422	PLATE-front heater air intake hood lever-w/pin. Eff. w/chassis #2916.
25.6660	1	2304601	PLATE-heating & evaporator filter frame-lower.
25.6665	1	1056802	PLATE-name, heater blower-underfloor motor. Part of motor.
25.6675	1	2306365	PLUG-bleeder front heater-prior to chassis #2916.

25.6690	2	287602	PLUG-windshield defroster fan-connection.
25.6700	1	2304351	PULLEY-heating & evaporator blower-motor.
25.6700	1	2315937	PULLEY-heating & evaporator blower-fan.
25.6713	2	2307216	RETAINER-front air deflector-incl. nut.
25.6730	4	2304382	RETAINER-heating & evaporator blower seal-1 in. wide x 12-7/8 in. long.
25.6730	4	2304383	RETAINER-heating & evaporator blower seal-9/16 in. wide x 12-7/8 in. long.
25.6740	1	2320109	RETAINER-w/s defroster outlet-RH. Repl. 2303097.
25.6740	1	2303747	RETAINER-w/s defroster outlet-LH.
25.6740	2	2319547	RETAINER-w/s defroster outlet-center. Repl. 2302291.
25.6765	1	2306351	ROD-front heater intake hood control-part of hood w/27-5/8 overall lgth.
25.6765	1	2318049	ROD-front heater intake hood control-part of hood w/23-5/8 overall lgth.
25.6778	4	191903	SCREW-heater blower motor-retaining. Underfloor blower motor coil pole shoe. 5/16-24 x 3/4 flat hd. Part of coil.
25.6778	2	5316173	SCREW-heater blower motor-terminal. Part of under floor blower motor coil. #10-32 x 5/16 hex.hd.
25.6778	2	037972	SCREW-heater blower motor-retaining. Brush brkt. #10-32 x 3/4 rd. hd. Part of end frame.
25.6778	6	5316173	SCREW-heater blower motor-commutator end cover & terminal. #10-32 x 5/16 hex.-hd. Part of motor.
25.6785	2	5316173	SCREW-heater blower motor brush-underfloor. #10-32 x 5/16 hex. hd. Part of end frame.
25.6795	2	5327153	SCREW-heater blower name plate-drive. Part of underfloor motor.
25.6798	4	159572	SCREW-w/s defroster fan guard clamp #8-32 x 1/4 pan mach. hd. Prior to chassis 1566.
25.6798	2	2263939	SCREW-w/s defroster fan guard clamp. Prior to chassis 1566.
25.6798	2	2324824	SCREW-w/s defroster fan guard clamp. Eff. w/chassis 1566.
25.6802	AR	2371426	SEAL-front heater intake hood-1/2 in. wide. Eff. w/chassis #2916.
25.6802	2	2371427	SEAL-front heater intake hood-1/4 in. wide. Eff. w/chassis #2916.
25.6830	1	2303970	SHAFT-heating & evaporator blower-support. Motor.
25.6830	1	2315938	SHAFT-heating & evaporator blower-drive.
25.6830	1	5519866	SHAFT-heating & evaporator blower-underfloor. Blower motor armature. Part of armature.
25.6842	2	041809	SHOE-underfloor heater motor coil pole-part of coil.
25.6845	1	2304632	SHROUD-heater-underfloor heater core.
25.6847	1	2315940	SLINGER-heating & air cond. Evaporator blower-fan inlet bearing.
25.6880	1	2305799	SPRING-drivers air outlet damper.
25.6885	1	5023552	SPRING-heater blower motor brush-defroster motor. Part of 5095467, 5071165 motor.
25.6885	2	5519869	SPRING-heater blower motor brush-underfloor. Part of brkt. #5519870.
25.6890	2	2304395	SPRING-heating & evaporator filter frame-retainer.
25.6894	2	2372305	STATOR-motor-front heater. Prior to chassis #2916. Part of 2306354 motor.
25.6894	2	2373613	STATOR-motor-front heater. Part of 2371417 motor.
25.6894	2	2379323	STATOR-motor-front heater. Part of 2379322 motor.
25.6895	4	2304378	STRIP-heating & evaporator blower seal-side.
25.6897	1	2301279	STUD-drivers defroster fan mounting.
25.6897M	4	2269323	STUD-front heater motor-prior to chassis #2916. Part of 2306354 motor.
25.6898	1	5519854	STUD-underfloor blower motor coil-terminal. 1/4-20 x 1-1/2 w/int. #10-32 thd. at one end, brass. Part of coil.
25.6898	1	5519852	STUD-underfloor blower motor coil-terminal. 5/16-18 x 1-3/4 w/int. #10-32 thd. at one end, brass. Part of coil.
25.6898	1	5519853	STUD-underfloor blower motor coil-terminal. 3/8-16 x 1-3/4 w/int. #10-32 thd. at one end, brass. Part of coil.
25.6920	1	2303966	SUPPORT-heating & evaporator blower motor.
25.6923	4	2275882	TUBE-front heater motor brush-prior to chassis #2916. Part of 2306354 motor.
25.6935	2	2247730	WASHER-drivers air outlet damper.
25.6940	2	2272896	WASHER-heater motor-thrust. Std. Part of front heater. Prior to chassis #2916. Part of 2306354 motor.
25.6940	2	2272897	WASHER-heater motor-thrust. .005. Prior to chassis #2916. Part of 2306354 motor.
25.6940	4	2272898	WASHER-heater motor-thrust. .010. Prior to chassis #2916. Part of 2306354 motor.
25.6947	1	5519858	WASHER-underfloor blower motor-coil. 9/32 ID x 7/8 OD, steel. Part of coil.
25.6947	2	042663	WASHER-underfloor blower motor-w/brush. .196 ID x 7/16 OD. Part of end frame.
25.6947	2	5310015	WASHER-underfloor blower motor-spring.DE & CE bearing. 1.531 ID x 1.843 OD. Part of motor.
25.6947	1	2079980	WASHER-defroster fan swivel bracket.

25.6949	8	5058316	WASHER-w/s defroster fan bracket screw-prior to chassis 1566.
25.6950	2	2405687	WHEEL-blower-front. Heater. Prior to chassis #2916.
25.6950	1	2315935	WHEEL-blower-heating & air cond. Evaporator fan.
25.6950	2	2371418	WHEEL-blower-front heater. #2916.

HEATER PIPES AND DUCTS

25.6970	1	2303013	PIPE-heater-heater core inlet.
25.6970	1	2303066	PIPE-heater-supply. Front.
25.6970	1	2302699	PIPE-heater-supply. At front axle front bulkhead.
25.6970	AR	2224986	PIPE-heater-supply. Between front axle front & rear bulkhead. 3/4 OD copper. 10 ft. straight lgth. CTL.
25.6970	1	2303011	PIPE-heater-supply. Inter-rear of front axle rear bulkhead.
25.6970	1	2302689	PIPE-heater-return. Between heater core line & inter. blkhd. 128-1/4 in. long. Prior to chassis #1301.
25.6970	1	2330296	PIPE-heater-return. Between heater core line & inter. Blkhds. 128-1/4 in. long. Eff. w/chassis #1301.
25.6970	1	2302689	PIPE-heater-supply. Between front axle front & inter. Blkhds. 128-1/4 in. long. CTL. Prior to chassis #1301.
25.6970	1	2330295	PIPE-heater-supply. Between heater core line & fuel tank blkhd. 18-11/32 in. long. Eff. w/chassis #1301.
25.6970	1	2302689	PIPE-heater-supply. Between fuel tank blkhd & inter. Blkhds. 106 in. long. Eff. w/chassis #1301.
25.6970	1	2302274	PIPE-heater-supply. RH to heater core.
25.6970	1	2300024	PIPE-heater-supply. Water outlet manifold to shut off valve.
25.6970	1	2300018	PIPE-heater-supply. Shut off valve to bulkhead.
25.6970	1	2303065	PIPE-heater-return. Front.
25.6970	1	2303062	PIPE-heater-return. At front axle front bulkhead.
25.6970	AR	R 31103	PIPE-heater-return. Between front axle front & rear bulkhead. 4 ft. req'd.
25.6970	1	2303012	PIPE-heater-return. Inter-rear of front axle rear bulkhead.
25.6970	1	2224987	PIPE-heater-at engine bulkhead. 15 ft. long CTL.
25.6970	1	2302273	PIPE-heater-return. RH to heater core.
25.6970	1	2300015	PIPE-heater-return. Shut off valve to bulkhead.
25.6970	1	2300018	PIPE-heater-return. Outlet elbow to shut off valve.
25.6975	2	NPN	ADAPTER-heater pipe-drain cock to pipe 1-1/16 in long-brass. Proc. loc.
25.6992	1	2318151	BAFFLE-air duct-water. At bottom sheet.
25.7000	21	2086969	BOLT-air duct-to floor board.
25.7045	AR	178306	CLAMP-heater pipe-hose. 1-3/16 ID.
25.7045	1	178303	CLAMP-heater pipe-air duct drain hose 7/8 dia. Effective w/chassis #3866.
25.7045	AR	2224334	CLAMP-heater pipe-hose. 1-5/8 ID.
25.7045	2	178310	CLAMP-heater pipe-hose. 1-3/8 ID.
25.7045	1	2241166	CLAMP-heater pipe-to bulkhead bracket.
25.7045	6	2301722	CLAMP-hose, heater pipe. Eff. w/chassis #1301.
25.7055	2	120525	CLIP-heater pipe-drain tube. 1/2 in.-1/4 in. bolt-closed.
25.7055	2	NPN	CLIP-heater pipe-1-5/16 in.-5/16 bolt-closed supply pipe to seat back & return pipe to bulkhead. Proc. Loc.
25.7055	1	2353921	CLIP-heater return pipe to bulkhead.
25.7060	2	190366	COCK-heater pipe drain-3/8 in.
25.7080	2	2293704	COUPLING-air duct-recirculating air.
25.7085	4	2302693	COUPLING-heater pipe-1-5/8 in. long.
25.7085	4	2058221	COUPLING-heater pipe-2-1/16 in. long.
25.7090	1	2303727	COVER-heater duct-air intake access hole-RH.
25.7090	1	2303728	COVER-heater duct-air intake access hole-LH.
25.7107	AR	R 35634	COVERING-air duct end block-vinyl.
25.7107	AR	R 35634	COVERING-air duct end block-lower side panel.
25.7110	1	2304323	DAMPER-fresh air duct-RH outside air.
25.7110	1	2304319	DAMPER-fresh air duct-LH outside air.
25.7110	2	2307221	DAMPER-fresh air duct-auxiliary-at recirculating duct.

Note: The following 5 deflectors are used prior to chassis #1301.

25.7113	1	2304307	DEFLECTOR-vertical duct-RH front.
25.7113	1	2304350	DEFLECTOR-vertical duct-LH front.
25.7113	15	2304306	DEFLECTOR-vertical duct-side inter.
25.7113	1	2307228	DEFLECTOR-vertical duct-RH rear.
25.7113	1	2307227	DEFLECTOR-vertical duct-LH rear.

NOTE: The following 6 deflections are effective w/chassis #1301

25.7113	1	2330274	DEFLECTOR-vertical duct-#1 RH front duct
25.7113	1	2330269	DEFLECTOR-vertical duct-#1 LH front duct
25.7113	1	2330289	DEFLECTOR-vertical duct-#2 RH duct
25.7113	1	2330288	DEFLECTOR-vertical duct-#2 LH duct
25.7113	8	2330268	DEFLECTOR-vertical duct-#3, 4, 5, 6, 7, 8, 9, 10 RH ducts
25.7113	7	2330267	DEFLECTOR-vertical duct-#3, 4, 5, 6, 7, 8, 9 LH ducts
25.7113	1	2407958	DEFLECTOR-vertical duct-at safety door. Screw #10-12 x 5/8 pan. Effective w/chassis #4266
25.7115	1	2304679	DIVIDER-air duct-RH
25.7115	1	2305765	DIVIDER-air duct-LH
25.7120	1	2298371	DUCT-air-intake. RH
25.7120	1	2298372	DUCT-air-intake. LH
25.7120	1	2304345	DUCT-air-recirculated air. RH prior to chassis #3866
25.7120	1	2381152	DUCT-air-recirculated air. RH. Effective w/chassis #3866
25.7120	1	2304346	DUCT-air-recirculated air. LH
25.7120	1	2300052	DUCT-air-LH inner
25.7120	4	2293703	DUCT-air-recirculating air. Stepwell to blower compt.

NOTE: The following 15 ducts are eff. w/chassis #601-1565. Floor ducts & vertical ducts are colored metallic green. Std.

NOTE: Items coded H or CP must be purchased from Haskelite Co., Grand Rapids, Michigan or Cadillac Products Co., Warren, Michigan

25.7120	1	2308408	DUCT-air-front RH-floor to lower side trim panel. Eff. w/601 thru 1565-CP
25.7120	1	2308409	DUCT-air-front LH-floor to lower side trim panel. Eff. w/601 thru 1565-CP
25.7120	1	2310414	DUCT-air-front RH inter-floor to lower trim panel. Eff. 3/601 thru 1565-CP
25.7120	1	2308412	DUCT-air-rear RH inter-floor to lower trim panel. Eff. w/601 thru 1565-CP
25.7120	1	2308411	DUCT-air-LH inter-floor to lower trim panel eff. w/601 thru 1565-CP
25.7120	1	2308413	DUCT-air-RH rear-floor to lower trim panel eff. w/601 thru 1565-CP
25.7120	1	2308414	DUCT-air-LH rear-floor to lower trim panel eff. w/601 thru 1565-CP
25.7120	1	2308862	DUCT-air-front RH vertical-at lower trim panel. 601-1300-CP
25.7120	1	2308863	DUCT-air-front LH vertical-at lower trim panel. 601-1300-CP
25.7120	9	2308624	DUCT-air-RH side vertical-at lower trim panel. 601-1300-CP
25.7120	8	2308625	DUCT-air-LH side vertical-at lower trim panel. 601-1300-CP
25.7120	1	2330273	DUCT-air front RH vertical-at lower trim panel. Eff. w/1301 thru 1565-CP
25.7120	1	2330272	DUCT-air-front LH vertical-at lower trim panel. Eff. w/1301 thru 1565-CP
25.7120	9	2330271	DUCT-air-RH vertical-at lower trim panel. Eff. w/1301 thru 1565-CP
25.7120	8	2330270	DUCT-air-LH vertical-at lower trim panel. Eff. w/1301 thru 1565-CP

NOTE: The following 11 ducts effective w/chassis #1566 thru 1965. Floor ducts are colored grey & vertical ducts colored coral. Std.

25.7120	1	2341843	DUCT-air-front RH-floor to lower side trim panel-CP
25.7120	1	2341845	DUCT-air-front LH-floor to lower side trim panel-CP
25.7120	1	2341848	DUCT-air-front RH inter-floor to lower trim panel-CP
25.7120	1	2341851	DUCT-air-rear RH inter-floor to lower trim panel-CP
25.7120	1	2341847	DUCT-air-LH inter-floor to lower trim panel-CP
25.7120	1	2341853	DUCT-air-RH rear-floor to lower trim panel-CP
25.7120	1	2341855	DUCT-air-LH rear-floor to lower trim panel-CP
25.7120	9	2341584	DUCT-air-RH vertical-at lower trim panel-CP
25.7120	8	2341583	DUCT-air-LH vertical-at lower trim panel-CP
25.7120	1	2341588	DUCT-air-front RH vertical-at lower trim panel-CP
25.7120	1	2341587	DUCT-air-front LH vertical-at lower trim panel-CP

NOTE: The following 11 ducts eff. W/1966-thru 3865 colored metallic green-are not serviced by GMC.

NOTE: See lower trim panels in group 25.8120 for air ducts used prior to chassis #601

25.7120	1	2357902	DUCT-air-front RH-floor to lower side trim panel-CP
25.7120	1	2357903	DUCT-air-front LH-floor to lower side trim panel-CP
25.7120	1	2357905	DUCT-air-front RH inter.-floor to lower trim panel-CP
25.7120	1	2357906	DUCT-air-rear RH inter.-floor to lower trim panel-CP

25.7120	1	2357904	DUCT-air-LH inter.-floor to lower trim panel-CP
25.7120	1	2358670	DUCT-air-RH rear-floor to lower trim panel. -CP
25.7120	1	2357908	DUCT-air-LH rear-floor to lower trim panel. -CP
25.7120	9	2357910	DUCT-air-RH vertical-at lower trim panel. -CP
25.7120	8	2357909	DUCT-air-LH vertical-at lower trim panel. -CP
25.7120	1	2357912	DUCT-air-front RH vertical-at lower trim panel-CP
25.7120	1	2357911	DUCT-air-front LH vertical-at lower trim panel-CP

NOTE: The following 11 ducts effective w/chassis #3866 are colored smoke pearl-are not serviced by GMC.

25.7120	1	2383231	DUCT-air-front RH-floor to lower side trim panel-CP
25.7120	1	2383232	DUCT-air-front LH-floor lower side trim panel-CP
25.7120	1	2383234	DUCT-air-front RH inter-floor to lower side trim panel-CP
25.7120	1	2383235	DUCT-air-rear RH. Inter-floor to lower side trim panel-CP
25.7120	1	2383233	DUCT-air-LH. Inter-floor to lower side trim panel-CP
25.7120	1	2383236	DUCT-air-RH. Rear-floor to lower side trim panel-CP
25.7120	1	2383237	DUCT-air-LH. Rear-floor to lower side trim panel-CP
25.7120	1	2383250	DUCT-air-front RH. Vertical-at lower side trim panel-CP
25.7120	1	2383249	DUCT-air-front LH. Vertical-at lower side trim panel-CP
25.7120	9	2383248	DUCT-air-RH. Vertical-at lower side trim panel-CP
25.7120	8	2383247	DUCT-air-LH. Vertical-at lower side trim panel-CP

NOTE: The following vertical duct at safety door is serviced by GMTC

25.7120	1	2408965	DUCT-air-LH. Vertical-at safety door. Screw #10-12-32 x 3/4 on tap CHR. Effective w/chassis #4266
25.7125	2	2119527	ELBOW-heater pipe
25.7125	1	2119537	ELBOW-heater pipe-return pipe to shut off valve
25.7130	1	2408966	EXTENSION-air duct-safety door vertical duct. Eff. w/chassis #4266
25.7135	1	2383223	FLANGE-heater duct drain-eff. W/chassis #3866 bolt #10-32 x 3/8 pan tap
25.7145	1	2297821	GRILLE-air duct-recirculating air. At stepwell
25.7145	10	2304253	GRILLE-air duct-vertical. RH side. Prior to chassis #1301
25.7145	9	2304254	GRILLE-air duct-vertical. LH side. Prior to chassis #1301
25.7145	1	2303983	GRILLE-air duct-at safety door
25.7160	AR	2100524	GROMMET-heater pipe-1-1/32 ID x 1-9/16 OD rubber w/heater at rear axle
25.7160	AR	790945	GROMMET-heater pipe-3/4 ID x 1-1/4 OD w/heater at rear axle
25.7160	AR	2100525	GROMMET-heater pipe-1-1/32 ID x 1-9/16 OD
25.7160	2	2215928	GROMMET-heater pipe-7/8 in. ID x 1-5/8 in. OD-rubber
25.7160	2	2127301	GROMMET-heater pipe-1-23/32 ID x 2-1/2 OD rubber
25.7180	2	2371808	GUARD-fresh air duct damper lever-bolt #10-24 x 1/2 pan hd.
25.7193	1	R 31687	HOSE-air duct drain-3/8 ID, 7/8 OD, 1/8 in. wall thickness, 28 in. req'd. SBF. Effective w/chassis #3866
25.7200	AR	2353264	HOSE-heater pipe-front heater control valve 21 in. long-CTL. Repl. R 30868
25.7200	AR	2353264	HOSE-heater pipe-front heater to return pipe 2 ft. req'd. 21 in. long. CTL- repl. 2304698
25.7200	4	2335077	HOSE-heater pipe-1 in. ID, w/buna-lining 40 in. long-CTL
25.7200	1	2353280	HOSE-heater pipe-supply pipe to nipple. 1-1/4 ID x 4 in. x 4 in. long. Hump type. w/buna-lining
25.7200	AR	2350377	HOSE-heater pipe-return pipe to nipple. 1-1/4 ID x 21-3/4 in. lg. CTL. W/buna-lining
25.7210	1	2302280	INTAKE-air-front
25.7215	2	2304327	LEVER-fresh air duct damper
25.7220	AR	2224549	LOOM-heater pipe-3/4 in. ID-25 ft. roll-CTL
25.7220	AR	R 35956	LOOM-heater pipe-2-1/2 ID. Repl. R 35713
25.7220	AR	R 35714	LOOM-heater pipe-1 ID
25.7220	AR	R 15067	LOOM-heater pipe at clip
25.7225	2	2231822	NIPPLE-heater pipe-3-1/4 in. long-brass
25.7225	1	2300019	NIPPLE-heater pipe-return pipe to shut off valve
25.7225	1	2231822	NIPPLE-heater pipe-return pipe to radiator outlet elbow
25.7225	1	144604	NIPPLE-heater pipe-air duct drain hose to flange 3/8 x 1-1/8 in. Effective w/chassis #3866
25.7237	38	2309923	NUT-vertical duct-duct to trim panel
25.7237	38	2309923	NUT-vertical duct-duct grille to trim panel
25.7237	1	2297983	NUT-air duct-speed. Safety door air duct screen screw. Effective w/chassis #4266
25.7250	1	2300071	PANEL-air duct-RH inner
25.7250	1	2362576	PANEL-air duct-RH center. Repl. 2300051
25.7250	1	2300053	PANEL-air duct-LH center

25.7255	1	2300042	PANEL-air duct insulation retainer-RH front
25.7255	1	2300043	PANEL-air duct insulation retainer-LH front
25.7255	1	2300809	PANEL-air duct insulation retainer-at front axle rear bulkhead
25.7255	1	2362575	PANEL-air duct insulation retainer-RH outer. Repl. 2300805
25.7255	1	2300806	PANEL-air duct insulation retainer-LH lower. Prior to chassis #1301
25.7255	1	2330204	PANEL-air duct insulation retainer-LH lower. Eff. w/chassis #1301
25.7255	1	2305503	PANEL-air duct insulation retainer-RH lower
25.7255	1	2300808	PANEL-air duct insulation retainer-lower. At fuel tank bulkhead
25.7270	1	2407939	PLATE-closure, air duct-safety duct extension. Screw #8-15 x 1/2 in. Pan tap. Effective w/chassis #4266
25.7277	1	2305841	PLATE-air duct panel-tapping-at RH center panel
25.7279	1	117244	PLUG-heater pipe-drain. 1/4 in. pipe
25.7290	2	2016187	RETAINER-air duct member nut
25.7310	1	2304000	SCREEN-air duct-recirculated air. RH
25.7310	1	2304384	SCREEN-air duct-recirculated air. LH
25.7310	1	2407957	SCREEN-air duct-opening. At safety door. Screw #10-24 x 1/2 in. oval. chr. Effective w/chassis #4266
25.7320	AR	R 32895	SEAL-air duct-6 ft. req'd.
25.7320	AR	2224679	SEAL-air duct-air duct-at floor 10 ft. long CTL
25.7320	AR	R 35617	SEAL-air duct-at lower side panel. Sponge rubber
25.7320	AR	2224679	SEAL-air duct-RH center panel-at floor. 10 ft. length CTL
25.7320	AR	R 31159	SEAL-air duct-safety door air duct. 1/2 x 3/4 in. x 8.88 in. req'd. Black sponge rubber. Effective w/chassis #4266
25.7320	AR	R 33771	SEAL-air duct-safety door air duct. 9/32 in. x 3/4 in. x 14.14 in. req'd. Black sponge rubber. Effective w/chassis #4266
25.7320	1	2215022	SEAL-air duct-vertical duct deflector
25.7330	1	2301946	SHEET-air duct-bottom
25.7345	2	2304326	SPRING-fresh air duct damper lever
25.7345	2	2040833	SPRING-fresh air duct damper lever-pin spring
25.7347	2	2307224	SUPPORT-heater duct auxiliary damper-at recirculating duct
25.7355	1	2303058	SUPPORT-heater supply pipe
25.7360	2	2301766	TEE-heater pipe-reducing. Front of fuel tank bulkhead
25.7375	AR	2224979	TUBE-drain heater pipe-3/8 in. OD-66 in. Req'd-SBF. Repl. R 31096

HEATING AND VENTILATING CONTROL

25.7382	1	2361868	ACTUATOR-heating control modulating valve-incl. diaphragm, cups, retainer, spring, ring, spiders, screws and lockwasher
25.7384	1	2350671	BELLOWS-heating gradustat-main
25.7384	1	2350667	BELLOWS-heating gradustat-auxiliary
25.7384M	1	2350693	BLOCK-heating gradustat-mtg. Part of 2340294 gradustat
25.7384M	2	2350672	BLOCK-heating gradustat-support
25.7385	1	2407715	BODY-pressure reducing valve-incl. Seal diaphragm. Eff. w/chassis #1970.
25.7410	1	2280137	BOX-heating gradustat
25.7425	1	2340357	BRACKET-heating gradustat. Repl. 2304374 prior to chassis #3866
25.7427	1	2350674	BRACKET-heating gradustat scale
25.7430	18	2308612	BRACKET-heating thermostat support-vertical air duct
25.7435	1	2355640	BRACKET-pressure reducing valve-at bulkhead. Eff. w/chassis #1970
25.7435	1	2304628	BRACKET-pressure reducing valve-at blkhd. Prior to chassis #1970
25.7440	1	2303051	BRACKET-water control valve-at inlet fitting
25.7440	1	2303050	BRACKET-water control valve-at outlet fitting
25.7441	1	2350689	BUSHING-heating gradustat bellows support-RH
25.7441	1	2350688	BUSHING-heating gradustat bellows support-LH
25.7442	1	2320820	BUTTON-water modulating valve disc stem
25.7450	1	120527	CLIP-air line-5/8 in.-1/4 bolt-closed
25.7450	1	120522	CLIP-air line-5/16 in.-1/4 bolt-closed
25.7457	3	2331483	CONE-water modulating valve-packing
25.7460	AR	2023342	CONNECTOR-air line-to gradustat tee for use w/1/4 line, 1/8 pipe thread, 15/32 in. lg. End, sleeve & nut. Prior to chassis 3866
25.7460	1	699029	CONNECTOR-air line-to gradustat tee. For use w/1/4 line, 1/8 pipe thd. Eff w/chassis #3866
25.7460	1	279854	CONNECTOR-air line-3/8 in. line. To regulator valve
25.7463	1	2350677	COVER-heating gradustat-auxiliary bellows
25.7467	1	2320830	CUP-heating control valve-operating. Water modulating valve
25.7467	1	2320834	CUP-heating control valve-water modulating valve diaphragm
25.7467	1	2320835	CUP-heating control valve-spring

25.7470	1	2388894	DIAPHRAGM-heating control valve water modulating valve
25.7470	1	2376292	DIAPHRAGM-heating control valve-pressure reducing valve at blkhd. Prior to chassis #1970
25.7472	1	2411008	DISC-heating control valve-water modulating valve
24.7472K	1	2350676	DISC-heating gradustat-auxiliary bellows
25.7473	1	2359850	DISC-pressure reducing valve-drain valve eff. w/chassis #1970
25.7480	1	279853	ELBOW-air line-3/8 in. line. To tee
25.7480	1	699028	ELBOW-air line-to water control valve. For use w/1/4 in. line, sleeve & nut at one end 7/8 ext. pipe thd. at other end. 90 degree angle
25.7483	1	2376293	ELEMENT-pressure reducing valve-filter prior to chassis #1970.
25.7483	1	2359848	ELEMENT-pressure reducing valve-filter eff. w/chassis #1970
25.7485	1	2303056	FITTING-water control valve-inlet
25.7485	1	2303057	FITTING-water control valve-outlet
25.7487	1	2306617	GAUGE-air, heating control regulator pressure-at regulator
25.7489	1	2359847	GASKET-pressure reducing valve-body eff. w/chassis #1970
25.7489	2	2359849	GASKET-pressure reducing valve-filter eff. w/chassis #1970
25.7489	1	2359846	GASKET-pressure reducing valve-inner valve seat. Eff. w/chassis #1970
25.7490	2	2358029	GASKET-water control valve fitting
25.7495	1	2340294	GRADUSTAT-heating-Minneapolis-Honeywell. Repl. 2282847
25.7500	3	117957	GROMMET-regulator support. 1/4 x 1/16
25.7502	1	2337541	GUIDE-water modulating valve-throttling repl. 2320827
25.7503	1	2337540	HOLDER-water modulating valve-disc repl. 2320819
25.7505	1	2303996	HOUSING-water control valve
25.7508	1	2350670	INDICATOR-heating gradustat-w/bshg.
25.7512	1	2350691	KIT-heating gradustat gasket-envelope. Consist of 1 gasket, 4 mtg. screws & lockwasher.
25.7512E	1	2350696	KIT-heating gradustat mtg. Bracket-bag. Consist of 2 brackets, 4 mtg. screws & lockwashers. Part of 2340294 gradustat.
25.7513	1	2332399	KIT-water modulating valve-packing. Consist of packing nut, packing cone, washer & packing spring
25.7515	1	2187361	KNOB-heater control valve regulator
25.7522	1	2350666	LEVER-heating gradustat-main
25.7522	1	2350668	LEVER-heating gradustat-secondary
25.7525	AR	2224980	LINE-air-3/8 OD, .049 wall, 25 ft. long, copper, CTL
25.7525	AR	2224976	LINE-air-1/4 OD-17 ft. req'd. Repl. R 31092
25.7526	1	2350673	LOCK-heating gradustat setting
25.7534	1	2331903	LUBRICANT-water modulating valve-1-1/2 oz. tube.
25.7536	1	2350683	NUT-heating gradustat calibration
25.7538	1	2331482	NUT-water modulating valve-packing
25.7543	1	2305850	PLATE-front heater control valve indicator-scotchlite sign
25.7544	1	2350675	PLATE-heating gradustat-mtg. aux. bellows.
25.7552	1	2350665	PLATE-wall, heating gradustat.
25.7555	2	117244	PLUG-air line-1/4 in. sq. hd. At tee. Repl. 112578
25.7555	1	118831	PLUG-air line-gradustat tee. 1/8-27 rd. sl. hd. Brass
25.7556	1	2350685	PLUG-heating gradustat spring-supt.
25.7560	1	2305290	REGULATOR-heating control
25.7562	1	2320832	RETAINER-water modulating valve-stem
25.7564	1	2320836	RING-water modulating valve-main spring support
25.7565	4	2243272	RIVNUT-pressure reducing valve bracket-to bulkhead
25.7567	1	2350679	SCREW-heating gradustat-aux. Bellows.
25.7567	2	2350680	SCREW-heating gradustat-pivot
25.7567	1	2350682	SCREW-heating gradustat-adj.
25.7567	1	2350686	SCREW-heating gradustat-LH. Mtg. Main bellows
25.7568	1	2350678	SHAFT-linkage, heating gradustat-aux. Bellows
25.7571	1	2359845	SEAT-pressure reducing valve-inner valve. Eff. w/chassis #1970
25.7572	1	2320829	SPIDER-water modulating valve-lower
25.7572	1	2320828	SPIDER-water modulating valve-upper
25.7576	1	2350684	SPRING-heating gradustat-main.
25.7577	1	2331480	SPRING-water control valve-main
25.7577	1	2331485	SPRING-water control valve-packing
25.7577	1	2337542	SPRING-water modulating valve
25.7590	1	2305295	SUPPORT-front heater control-valve. 7-11/16 in. overall
25.7590	1	2305296	SUPPORT-front heater control-knob. 3-1/4 in. overall
25.7592	1	2350681	SUPPORT-heating gradustat valve.
25.7600	1	2230028	TEE-air line-gradustat line
25.7605	18	2308611	THERMOSTAT-heating-vertical air duct. W/bracket. Repl. 2299928.
25.7610	1	2251015	UNION-tubing

25.7615	1	2305311	VALVE-heater control-front heater
25.7615	1	2301731	VALVE-heater control-water control-modulating
26.7615	1	2276571	VALVE-heater control-pressure reducing. At blkhd. Incl. inner valve diaphragm, filter prior to chassis #1970
25.7615	1	2376291	VALVE-heater control-inner. Pressure reducing valve. Prior to chassis #1970
25.7615	1	2357613	VALVE-heater control-pressure reducing. At bulkhead. Incl. Body, inner valve, valve seats, gaskets, filter, filter gasket and drain valve disc. Eff. w/chassis #1970
25.7615	1	2359844	VALVE-heater control-inner. Pressure reducing valve. Eff. w/chassis #1970
25.7615	2	2380119	VALVE-heater control-supply & return pipe shut off
25.7621	1	2350669	VALVE-heating gradustat-w/plate.
25.7622	1	2350687	WASHER-heating gradustat-plain-bellows mtg. Screw.
25.7623	2	2331484	WASHER-water modulating valve-packing

INTERIOR TRIMROOF TRIM

25.7670	1	2302665	CAP-reading lamp end-RH front
25.7670	1	2302666	CAP-reading lamp end-LH front
25.7670	1	2303959	CAP-reading lamp end-RH rear
25.7670	1	2303602	CAP-reading lamp end-LH rear
25.7685	AR	2296514	CLIP-roof trim moulding-rear outer. 124 req'd.

NOTE: Following 6 mouldings include drip moulding

25.7750	1	2335103	MOULDING-roof trim-RH front upper-over window. 8 ft. long. CTL. Repl. 2296006
25.7750	1	2298007	MOULDING-roof trim-LH front upper-over window
25.7750	2	2335103	MOULDING-roof trim-RH inter upper-over window. 8 ft. long. CTL. Repl. 2298008
25.7750	2	2335103	MOULDING-roof trim-LH inter upper-over window. 8 ft. long. CTL. Repl. 2298009
25.7750	1	2335103	MOULDING-roof trim-RH rear upper-over window. 8 ft. long. CTL. Repl. 2298010
25.7750	1	2335103	MOULDING-roof trim-LH rear upper-over window. 8 ft. long. CTL. Repl. 2298011
25.7750	1	2297805	MOULDING-roof trim-RH front-between windows fluted
25.7750	1	2297806	MOULDING-roof trim-LH front-between windows. Fluted
25.7750	3	2305795	MOULDING-roof trim-RH front-between windows. Fluted
25.7750	3	2305796	MOULDING-roof trim-LH front-between windows. Fluted
25.7750	5	2224881	MOULDING-roof trim-front center and R & LH. Inner at reading lamp-117 in. long CTL
25.7750	10	2300366	MOULDING-roof trim-RH
25.7750	AR	R 33594	MOULDING-roof trim-LH & center. 9/64 x 25/32 steel 5 center pieces req'd.
25.7750	1	2300372	MOULDING-roof trim-RH rear
25.7750	1	2300373	MOULDING-roof trim-LH rear
25.7750	1	2224881	MOULDING-roof trim-rear center
25.7750	1	2304638	MOULDING-roof trim-cross-RH rear lower
25.7750	1	2304639	MOULDING-roof trim-cross-LH rear lower
25.7750	1	2304644	MOULDING-roof trim-cross-rear upper
25.7750	6	2300364	MOULDING-roof trim-longitudinal. Upper
25.7750	1	2304642	MOULDING-roof trim-longitudinal-RH rear upper
25.7750	1	2304643	MOULDING-roof trim-longitudinal-LH rear upper
25.7750	1	2304645	MOULDING-roof trim-longitudinal-rear upper center
25.7770	1	2308909	PANEL-reading lamp-41-1/2 in. long. Repl. 2300307, 2305592
25.7770	11	2305584	PANEL-reading lamp-28-1/4 in. long-CTL. Repl. 2300309

NOTE: Standard panels between window, roof crown & center panels are used as follows

LOCATION	COLOR	CHASSIS NO.
BETWEEN WINDOWS	LIGHT GREEN	PRIOR TO #1566
BETWEEN WINDOWS	WHITE & GOLD KARET	#1566 THRU #3865
BETWEEN WINDOWS	BLACK MISSLE	EFFECTIVE W/#3866
CROWN PANEL	LIGHT GREEN	PRIOR TO #1566
CROWN PANEL	OFF WHITE	#1566 THRU #3865
CROWN PANEL	GOLD FLITTER	EFFECTIVE W/#3866
CENTER PANEL	LIGHT GREEN	PRIOR TO #1566
CENTER PANEL	OFF WHITE	#1566 THRU #3865
CENTER PANEL	GOLD FLITTER	EFFECTIVE W/#3866

NOTE: Items coded CP must be purchased from Cadillac Product Co.
Warren, Michigan

25.7790	1	2302629	PANEL-trim, roof-#1 front RH window-finished prior to chassis #1566-CP
25.7790	1	2302630	PANEL-trim, roof-#1 front LH window-finished prior to chassis #1566-CP
25.7790	2	2302631	PANEL-trim, roof-#2 & 3 RH windows-finished prior to chassis #1566-CP
25.7790	2	2302632	PANEL-trim, roof-#2 & 3 LH windows-finished prior to chassis #1566-CP
25.7790	1	2314267	PANEL-trim, roof-#4 RH window-finished prior to chassis #1566-CP
25.7790	1	2314266	PANEL-trim, roof-#4 LH window-finished prior to chassis #1566-CP
25.7790	1	2302633	PANEL-trim, roof-roof-front of safety door-finished. Prior to chassis #1566-CP
25.7790	1	2302634	PANEL-trim, roof-rear of safety door-finished prior to chassis #1566-CP
25.7790	1	2302652	PANEL-trim, roof-front RH crown-finished prior to chassis #1566-CP
25.7790	1	2302651	PANEL-trim, roof-front LH crown-finished prior to chassis #1566-CP
25.7790	8	2302653	PANEL-trim, roof-RH & LH intermediate crown finished. Prior to chassis #601-CP
25.7790	2	2302654	PANEL-trim, roof-RH & LH rear crown-finished prior to chassis #1566-CP
25.7790	1	2304675	PANEL-trim, roof-rear RH corner crown-finished. Prior to chassis #1566-CP
25.7790	1	2304676	PANEL-trim, roof-rear LH corner crown-finished. Prior to chassis #601-CP
25.7790	1	2304671	PANEL-trim, roof-rear RH center crown-finished. Prior to chassis #1566-CP
25.7790	1	2304672	PANEL-trim, roof-rear LH center crown-finished. Prior to chassis #1566-CP
25.7790	1	2302657	PANEL-trim, roof-front center crown-finished prior to chassis #1566-CP
25.7790	4	2302655	PANEL-trim, roof-front center intermediate-finished. Prior to chassis #1566-CP
25.7790	1	2302656	PANEL-trim, roof-rear center-finished prior to chassis #1566-CP
25.7790	1	2340383	PANEL-trim, roof-#1 front RH window-finished eff. w/1566 thru 3865-CP
25.7790	1	2340382	PANEL-trim, roof-#1 front LH window-finished eff. w/1566 thru 3865-CP
25.7790	2	2340385	PANEL-trim, roof-#2 & 3 RH windows-finished eff. w/1566 thru 3865-CP
25.7790	2	2340384	PANEL-trim, roof-#2 & 3 LH windows-finished eff. w/1566 thru 3865-CP
25.7790	1	2340387	PANEL-trim, roof-#4 RH window-finished eff. w/1566 thru 3865-CP
25.7790	1	2340386	PANEL-trim, roof-#4 LH window-finished eff. w/1566 thru 3865-CP
25.7790	1	2340388	PANEL-trim, roof-front of safety door-finished. Eff. w/1566 thru 3865-CP
25.7790	1	2340389	PANEL-trim, roof-rear of safety door-finished eff.w/1566 thru 3865-CP
25.7790	1	2384389	PANEL-trim, roof-#1 front RH window finished. Effective w/chassis #3866-CP
25.7790	1	2384388	PANEL-trim, roof-#1 front LH window-finished. Effective w/chassis #3866-CP
25.7790	2	2384502	PANEL-trim, roof-#2 & 3 RH windows-finished effective w/chassis #3866-CP
25.7790	2	2384501	PANEL-trim, roof-#2 & 3 LH windows-finished effective w/chassis #3866-CP
25.7790	1	2384393	PANEL-trim, roof-#4 RH window-finished effective w/chassis #3866-CP
25.7790	1	2384392	PANEL-trim, roof-#4 LH window-finished effective w/chassis #3866-CP
25.7790	1	2384396	PANEL-trim, roof-front of safety door-finished. Effective w/chassis #3866-CP
25.7790	1	2384398	PANEL-trim, roof-rear of safety door-finished effective w/chassis #3866-CP
25.7790	1	2384512	PANEL-trim, roof-front RH crown-finished effective w/chassis #3866-CP
25.7790	1	2384511	PANEL-trim, roof-front LH crown-finished effective w/chassis #3866-CP
25.7790	1	2378564	PANEL-trim, roof-front center-finished effective w/chassis #3866-CP
25.7790	1	2340374	PANEL-trim, roof-front RH crown-finished eff. w/1566 thru 3865-CP
25.7790	1	2340373	PANEL-trim, roof-front LH crown-finished eff. w/1566 thru 3865-CP
25.7790	1	2340377	PANEL-trim, roof-front center-finished eff. w/1566 thru 3865-CP
25.7790	8	2340376	PANEL-trim, roof-RH & LH intermediate crown-finished. Eff. w/1566 thru 3865-CP
25.7790	4	2340379	PANEL-trim, roof-center intermediate-finished. Eff. w/1566 thru 3865-H
25.7790	2	2340375	PANEL-trim, roof-RH & LH rear crown-finished eff. w/1566 thru 3865-H
25.7790	1	2340378	PANEL-trim, roof-rear center-finished eff. w/1566 thru 3865-CP
25.7790	8	2384514	PANEL-trim, roof-RH & LH intermediate crown-finished. Effective w/chassis #3866-CP
25.7790	4	2378566	PANEL-trim, roof-center intermediate-finished effective w/chassis #3866-CP
25.7790	2	2384513	PANEL-trim, roof-RH & LH rear crown-finished. Effective w/chassis #3866-CP
25.7790	1	2378565	PANEL-trim, roof-rear center-finished. Effective w/chassis #3866-CP
25.7790	1	2384533	PANEL-trim, roof-rear RH center crown-finished. Effective w/chassis #3866-CP
25.7790	1	2384534	PANEL-trim, roof-rear LH center crown-finished. Effective w/chassis #3865-CP
25.7790	1	2340380	PANEL-trim, roof-rear RH center crown-finished. Eff. w/1566 thru 3865-CP
25.7790	1	2340381	PANEL-trim, roof-rear LH center crown-finished. Eff. w/1566 thru 3865-CP

NOTE: The following 15 items are next to roof upper post

25.7790	1	2296618	PANEL-trim, roof-RH front corner
25.7790	1	2296619	PANEL-trim, roof-LH front corner
25.7790	1	2295832	PANEL-trim, roof-upper front center-above w/s
25.7790	1	2300825	PANEL-trim, roof-RH upper front
25.7790	1	2300826	PANEL-trim, roof-LH upper front
25.7790	1	2294109	PANEL-trim, roof-front center
25.7790	1	2295207	PANEL-trim, roof-RH rear lower corner.

25.7790	1	2295208	PANEL-trim, roof-LH rear lower corner.
25.7790	1	2295888	PANEL-trim, roof-rear center
25.7790	1	2298728	PANEL-trim, roof-crown-RH rear corner
25.7790	1	2298729	PANEL-trim, roof-crown-LH rear corner
25.7790	1	2298726	PANEL-trim, roof-crown-RH rear front corner
25.7790	1	2298727	PANEL-trim, roof-crown-LH rear front corner
25.7825	22	2300361	RETAINER-roof trim panel-lower
25.7830	AR	R 33746	RETAINER-roof trim panel moulding-cross moulding. 1/8 x 5/8
25.7830	AR	R 33613	RETAINER-roof trim panel moulding-longitudinal mldg.
25.7840	AR	2253498	RIVET-roof trim panel-3/16 x 3/8 CR
25.7840	AR	2227416	RIVET-roof trim panel-3/16 x .74
25.7840	2	2253498	RIVET-roof trim panel-to lower corner crown trim panel
25.7840	1	2253498	RIVET-roof trim panel-to upper front trim panel
25.7840	6	2296527	RIVET-roof trim panel-to safety door upper frame. 5/32 x .312

DRIVERS COMPARTMENT TRIM

25.7905	1	2303776	BOX-ticket-on drivers partition prior to chassis #3866
25.7930	1	2304008	PANEL-drivers compartment trim-inside-RH
25.7930	1	2304009	PANEL-drivers compartment trim-inside-LH
25.7940	1	2303092	PANEL-drivers partition-upper prior to chassis #3866
25.7940	1	2303775	PANEL-drivers partition-lower prior to chassis #3866
25.7945	1	2303088	PLATE-trim shift tower-at floor

SIDE TRIM

25.8005	1	2299344	ANGLE-rear trim-retainer-RH. At cross seat 2 in. x 15-1/2 in.
25.8005	1	2299345	ANGLE-rear trim-retainer-LH. At cross seat 2 in. x 15-1/2 in.
25.8005	1	2334252	ANGLE-rear trim-retainer-RH. At cross seat 4-7/8 in. x 15-1/2 in. Repl. 2299346
25.8005	1	2334251	ANGLE-rear trim-retainer-LH. At cross seat 4-7/8 in. x 15-1/2 in. Repl. 2299347
25.8035	1	2299226	CAP-trim moulding end-RH. Prior to chassis #1301
25.8035	1	2299227	CAP-trim moulding end-LH. Prior to chassis #1301
25.8035	1	2299225	CAP-trim moulding end-at safety door. Prior to chassis #1301
25.8035	1	2330263	CAP-trim moulding end-at safety door. Eff. w/chassis #1301

NOTE: The following 5 items are used prior to chassis #1301

25.8110	1	2302646	MOULDING-lower inside trim-RH front, 22-7/16 in. long. Repl. 2320904
25.8110	1	2302647	MOULDING-lower inside trim-LH front, 22-7/16 in. long. Repl. 2320905
25.8110	5	2302648	MOULDING-lower inside trim-intermediate
25.8110	1	2302649	MOULDING-lower inside trim-front of safety door
25.8110	1	2302650	MOULDING-lower inside trim-rear of safety door

NOTE: The following 7 items are effective w/chassis #1301

25.8110	1	2330259	MOULDING-lower inside trim-#1 RH window
25.8110	1	2330260	MOULDING-lower inside trim-#1 LH window
25.8110	AR	2224990	MOULDING-lower inside trim-front. 48 in. CTL
25.8110	1	2330262	MOULDING-lower inside trim-RH front inter
25.8110	1	2330261	MOULDING-lower inside trim-LH front inter
25.8110	5	2224990	MOULDING-lower inside trim-inter. 48 in. long CTL
25.8110	AR	2224990	MOULDING-lower inside trim-front & rear of safety door. 48 in. long-CTL
25.8110	4	2299200	MOULDING-lower inside trim-floor trim-at w/h repl. 2299201
25.8111	AR	2224899	MOULDING-lower inside trim-floor. 106 in. long-CTL. Repl. 2299197, 2299198, 2299199

NOTE: The following panels prior to chassis #601 are colored metallic green

NOTE: Items coded CP must be purchased from Cadillac Products Co. Warren, Michigan

25.8120	1	2303648	PANEL-side trim-#1 front RH-incl. scuff plate-CP
25.8120	1	2303649	PANEL-side trim-#1 front LH-incl. scuff plate-CP
25.8120	1	2303662	PANEL-side trim-#2 RH-incl. scuff plate-CP
25.8120	1	2303665	PANEL-side trim-#2 LH-incl. scuff plate-CP
25.8120	1	2303652	PANEL-side trim-#3 RH-incl. scuff plate-CP

25.8120	1	2303653	PANEL-side trim-#3 LH-incl. scuff plate-CP
25.8120	1	2303654	PANEL-side trim-#4 RH-incl. scuff plate-CP
25.8120	1	2303655	PANEL-side trim-#4 LH-incl. scuff plate-CP
25.8130	1	2303656	PANEL-side trim-#5 RH-incl. scuff plate-CP
25.8120	1	2303657	PANEL-side trim-#5 LH-incl. scuff plate-CP
25.8120	1	2303658	PANEL-side trim-#6 RH-incl. scuff plate-CP
25.8120	1	2303659	PANEL-side trim-#6 LH-incl. scuff plate-CP
25.8120	1	2303660	PANEL-side trim-#7 RH-incl. scuff plate-CP
25.8120	1	2303661	PANEL-side trim-#7 LH-incl. scuff plate-CP
25.8120	1	2303664	PANEL-side trim-#8 RH-incl. scuff plate-CP
25.8120	1	2303663	PANEL-side trim-#8 LH-incl. scuff plate-CP
25.8120	1	2303666	PANEL-side trim-#9 RH-incl. scuff plate-CP
25.8120	1	2303667	PANEL-side trim-#9 LH-incl. scuff plate-CP
25.8120	1	2303758	PANEL-side trim-#10 rear RH-incl. scuff plate-CP
25.8120	1	2303720	PANEL-side trim-LH-rear of safety door at rear cross seat. Prior to chassis #1566-CP

NOTE: The following 12 lower side trim panels & closure panels 601 thru 1565 are colored metallic green

25.8120	1	2308401	PANEL-side trim-#1 lower RH front-CP
25.8120	1	2308402	PANEL-side trim-#1 lower LH front-CP
25.8120	2	2308403	PANEL-side trim-#2-3 lower RH inter-CP
25.8120	2	2080404	PANEL-side trim-#2-3 lower LH inter-CP
25.8120	1	2308405	PANEL-side trim-#4 lower RH rear-CP
25.8120	1	2308406	PANEL-side trim-#4 lower LH rear-CP
25.8120	1	2308860	PANEL-side trim-front RH closure-floor air duct to trim panel-CP
25.8120	1	2308630	PANEL-side trim-front LH closure-floor air duct to trim panel-CP
25.8120	9	2308631	PANEL-side trim-RH inter closure-floor air duct to trim panel-CP
25.8120	8	2308632	PANEL-side trim-LH inter closure-floor air duct to trim panel-CP
25.8120	1	2308633	PANEL-side trim-rear RH closure-floor air duct to trim panel-CP
25.8120	1	2308634	PANEL-side trim-rear LH closure-floor air duct to trim panel-CP

NOTE: The following 13 lower side trim panels & closure panels eff. w/1566 thru 1965 are colored grey

25.8120	1	2341825	PANEL-side trim-#1 lower RH front-CP
25.8120	1	2341829	PANEL-side trim-#1 lower LH front-CP
25.8120	2	2341832	PANEL-side trim-#2-3 lower RH inter-CP
25.8120	2	2341831	PANEL-side trim-#2-3 lower LH inter-CP
25.8120	1	2341837	PANEL-side trim-#4 lower RH rear-CP
25.8120	1	2341835	PANEL-side trim-#4 lower LH rear-CP
25.8120	1	2341839	PANEL-side trim-lower LH rear of safety door-CP
25.8120	1	2341805	PANEL-side trim-front RH closure-floor air duct to trim panel-CP
25.8120	1	2341803	PANEL-side trim-front LH closure-floor air duct to trim panel-CP
25.8120	9	2341807	PANEL-side trim-RH inter closure-floor air duct to trim panel-CP
25.8120	8	2341809	PANEL-side trim-LH inter closure-floor air duct to trim panel-CP
25.8120	1	2341811	PANEL-side trim-rear RH closure-floor air duct to trim panel-CP
25.8120	1	2341801	PANEL-side trim-rear LH closure-floor air duct to trim panel-CP

NOTE: The following 13 lower side trim panels & closure panels eff. w/1966 thru 3865 are colored metallic green

25.8120	1	2355644	PANEL-side trim-#1 lower RH front-CP
25.8120	1	2355645	PANEL-side trim-#1 lower LH front-CP
25.8120	2	2355647	PANEL-side trim-#2-3 lower RH inter-CP
25.8120	2	2355646	PANEL-side trim-#2-3 lower LH inter-CP
25.8120	1	2358669	PANEL-side trim-#4 lower RH rear-CP
25.8120	1	2355649	PANEL-side trim-#4 lower LH rear-CP
25.8120	1	2355650	PANEL-side trim-lower LH rear of safety door-CP
25.8120	1	2357913	PANEL-side trim-front RH closure-floor air duct to trim panel-CP
25.8120	1	2357914	PANEL-side trim-front LH closure-floor air duct to trim panel-CP
25.8120	9	2358671	PANEL-side trim-RH inter closure-floor air duct to trim panel-CP
25.8120	8	2357918	PANEL-side LH inter closure-floor air duct to trim panel-CP
25.8120	1	2358672	PANEL-side trim-rear RH closure-floor air duct to trim panel-CP
25.8120	1	2357920	PANEL-side trim-rear LH closure-floor air duct to trim panel-CP

NOTE: The following 7 lower side trim panels are effective w/3866 are colored virginia charcoal

25.8120	1	2383238	PANEL-side trim-#1 lower RH front-CP
25.8120	1	2383239	PANEL-side trim-#1 lower LH front-CP
25.8120	2	2383241	PANEL-side trim-#2-3 lower RH inter-CP
25.8120	2	2383240	PANEL-side trim-#2-3 lower LH inter-CP
25.8120	1	2383243	PANEL-side trim-#4 lower RH rear-CP
25.8120	1	2383242	PANEL-side trim-#4 lower LH rear-CP
25.8120	1	2383244	PANEL-side trim-lower LH rear of safety door-CP

NOTE: The following 6 closure panels are effective w/chassis 3866 are colored smoke pearl

25.8120	1	2384382	PANEL-side trim-front RH closure-floor air duct to trim panel-CP
25.8120	1	2384383	PANEL-side trim-front LH closure-floor air duct to trim panel-CP
25.8120	1	2384384	PANEL-side trim-RH inter closure-floor air duct to trim panel-CP
25.8120	1	2384385	PANEL-side trim-LH inter closure-floor air duct to trim panel-CP
25.8120	1	2384386	PANEL-side trim-rear RH closure-floor air duct to trim panel-CP
25.8120	1	2384387	PANEL-side trim-rear LH closure-floor air duct to trim panel-CP
25.8120	4	2303957	PANEL-side trim-air duct to wall closure at w/h. 7 in. x 38 in.

NOTE: Reading light panels shown under roof trim

25.8125	1	2311747	PLATE-scuff side trim panel-RH front. Repl. 2303742
25.8125	47	2310413	PLATE-scuff side trim panel-Repl. 2303033
25.8130	AR	R 35631	RETAINER-trim moulding-62 in. req'd. At safety door
25.8140	AR	R 35939	RETAINER-trim panel-lower side trim panel approx. 5 ft. req'd. SBF
25.8145	2	2273809	RIVNUT-rear trim retainer angle screw
25.8146	6	2226070	RIVNUT-trim panel-moulding to trim panel screw-front & rear of safety door. 1/2 in. long. Effective w/chassis #4266
25.8200	AR	688482	WASHER-trim panel moulding screw

INSIDE BAGGAGE RACK

25.8210	6	2224877	ANGLE-baggage rack-support. 10 ft. long-CTL
25.8210	6	2302298	ANGLE-baggage rack-splice-inner rail. 9/16 x 1-1/4 x 7
25.8210	6	2302299	ANGLE-baggage rack-splice-inner rail. 3/4 x 1-1/16 x 7
25.8210	1	2300094	ANGLE-baggage rack-splice-RH rear corner
25.8210	1	2300095	ANGLE-baggage rack-splice-LH rear corner
25.8210	4	2300306	ANGLE-baggage rack-support-reading light frt. & rear
25.8210	10	2300304	ANGLE-baggage rack-support-reading light inter
25.8210	2	2305818	ANGLE-baggage rack-trim-rear RH corner
25.8225	12	2300088	BLOCK-baggage rack-support to post
25.8225	2	2300341	BLOCK-baggage rack-rear support to post
25.8225	12	2300087	BLOCK-baggage rack-support to splice moulding
25.8230	45	2305580	BOLT-baggage rack support-angle to post & rail
25.8247	1	2300331	BRACKET-baggage rack light rail-RH-to post
25.8247	1	2300332	BRACKET-baggage rack light rail-LH-to post
25.8253	1	2300349	BRACKET-baggage rack support-RH rear to light rail
25.8253	1	2300350	BRACKET-baggage rack support-LH rear to light rail
25.8255	AR	2304041	BUMPER-baggage rack-rubber. 148 in. long, cut to req'd. length
25.8285	2	2304040	CORD-baggage rack
25.8295	1	2300333	COVER-baggage rack-light rail-RH front
25.8295	1	2300334	COVER-baggage rack-light rail-LH front
25.8295	AR	2224933	COVER-baggage rack-light rail-rear. 101 in. lg. CTL.
25.8337	AR	2304041	MOULDING-baggage rack-trim. 148 in. long, cut to req'd. length
25.8337	10	2300089	MOULDING-baggage rack-splice
25.8337	2	2300026	MOULDING-baggage rack-splice-rear corner
25.8345	AR	2052265	NUT-baggage rack support screw

NOTE: The following 6 items must be purchased from Cadillac Products Co., Warren, Michigan

25.8350	1	2298655	PANEL-baggage rack closure-front RH
25.8350	1	2298656	PANEL-baggage rack closure-front LH

25.8350	10	2298653	PANEL-baggage rack closure-RH & LH intermediate
25.8350	1	2298657	PANEL-baggage rack closure-RH rear.
25.8350	1	2298658	PANEL-baggage rack closure-LH rear.
25.8350	1	2298659	PANEL-baggage rack closure-rear-over rear cross seat.
25.8375	1	2300386	RAIL-baggage rack-light. RH front.
25.8375	1	2300387	RAIL-baggage rack-light. LH front.
25.8375	AR	2335056	RAIL-baggage rack-light. Inter. 112 in. long. CTL.
25.8375	AR	2335056	RAIL-baggage rack-light. RH rear. 112 in. long. CTL.
25.8375	AR	2335056	RAIL-baggage rack-light. LH rear. 112 in. long. CTL.
25.8375	AR	2335056	RAIL-baggage rack-light. Rear 112 in. long. CTL.
25.8403	1	2300399	RETAINER-baggage rack panel-RH front.
25.8403	1	2300400	RETAINER-baggage rack panel-LH front.
25.8403	1	2299298	RETAINER-baggage rack panel-RH rear corner
25.8403	1	2299299	RETAINER-baggage rack panel-LH rear corner.
25.8403	1	2299300	RETAINER-baggage rack panel-RH rear.
25.8403	1	2299301	RETAINER-baggage rack panel-LH rear.
25.8415	6	2253498	RIVET-baggage rack-support angle to panel & channel.
25.8415	27	2227417	RIVET-baggage rack-support angle to panel & retainer to panel. 3/16 x 3/16.
25.8415	2	2259993	RIVET-baggage rack-retainer to roof.
25.8430	AR	2048614	SCREW-baggage rack-support to post.
25.8475	12	2300079	SUPPORT-baggage rack.
25.8475	1	2300348	SUPPORT-baggage rack-RH rear.
25.8475	1	2300342	SUPPORT-baggage rack-LH rear.
25.8495	12	2310572	TUBE-baggage rack-baggage rack cord-fibre grommet-1-3/16 in. long. Prior to chassis #1301.

MODESTY PANEL

25.8505	1	2298434	PANEL-modesty.
25.8511	1	2301868	PLATE-modesty panel-floor reinforcement.
25.8513	1	R 35596	RAIL-modesty panel-upper. 3 ft. req'd. SBF
25.8515	2	2262459	RIVNUT-modesty panel-grab.
25.8517	1	2301736	SASH-modesty panel-decorative.
25.8519	1	2302277	SUPPORT-modesty panel-lower.
25.8519	1	2300829	SUPPORT-modesty panel-inner. Body insulation.
25.8535	2	2305552	RETAINER-body insulation.
25.8535	15	2397278	RETAINER-body insulation-under floor insulation. Effective w/chassis #4266.
25.8535	1	2337963	RETAINER-air conditioning longitudinal bulkhead insulation. Eff. w/1566.

STANCHIONS AND GRAB RAILS

25.8547	2	2380419	ADAPTER-grab rail bolt.
25.8555	AR	2048614	BOLT-stanchion-to flange.
25.8565	1	2303091	BRACKET-drivers guard rail.
25.8567	1	2303053	BRACKET-grab rail-modesty panel prior to chassis #3866.
25.8567	1	2384507	BRACKET-grab rail-modesty panel. Rivet 3/16 x 5/8 Ctsk. hd. Effective w/chassis #3866.
25.8585	1	2299309	HANDLE-grab entrance door.
25.8590	1	2301300	HANDLE-grab modesty panel.
25.8595	AR	2107338	NUT-stanchion bolt-1/4-28. Repl 2167760.
25.8615	1	2303089	RAIL-drivers guard.
25.8620	AR	2048614	SCREW-stanchion-1/4-28 x 3/4. Repl 2048613.

WINDSHIELD WIPER

25.8640	2	2278708	ADAPTER-windshield wiper arm-to motor shaft.
25.8645	1	2334824	ARM-windshield wiper-RH. Repl. 2300951.
25.8645	1	2334823	ARM-windshield wiper-LH. Repl. 2300952.
25.8647	1	2357018	KIT-slide valve, w/s wiper control. Incl. rubber slide valve & plate.
25.8650	2	2301479	BLADE-windshield wiper-eff. w/chassis #1301. Repl. 2279466.
25.8665	1	112877	BUSHING-w/s wiper tee to cross-reducing 1/4 x 1/8.
25.8667	1	2064866	CLIP-windshield wiper air line-strainer.
25.8667	1	120523	CLIP-windshield wiper air line-3/8 in. x 1/4 in. closed.
25.8670	AR	279854	CONNECTOR-windshield wiper air line-to strainer. Incl. sleeve & nut.

25.8670	2	118748	CONNECTOR-windshield wiper air line-1/4 x 1/8. Used w/w/s wiper control valve w/o connections.
25.8675	1	279853	ELBOW-w/s wiper line.
25.8678	1	2345750	GASKET-w/s wiper control valve.
25.8685	4	2090791	HOSE-windshield wiper control valve to motor.
25.8690	1	2286359	KNOB-w/s wiper control valve.
25.8693	2	2338149	LEVER-windshield wiper motor-driven.
25.8695	AR	2224976	LINE-air windshield wiper-1/4 OD repl. R-31092.
25.8695	AR	2224980	LINE-air windshield wiper-3/8 OD, .049 wall, 25 ft. long, copper, CTL.
25.8700	AR	2224546	LOOM-windshield wiper air line-1/2 in. ID. 25 ft. roll-CTL.
25.8705	1	2299598	MOTOR WINDSHIELD WIPER-RH. Incl plate, driven lever, washer, nut & water shield.
25.8705	1	2299599	MOTOR WINDSHIELD WIPER-LH. Incl plate, driven lever, washer, nut & water shield.
25.8710	2	2299957	NUT-windshield wiper arm-to motor shaft.
25.8715	6	116452	NUT-windshield wiper line connector-1/4 x 1/8.
25.8720	2	2279049	NUT-windshield wiper motor-on shaft at water shield.
25.8723	1	2286361	NUT-w/s wiper control valve-mounting.
25.8725	2	2306387	PLATE-windshield wiper motor-mtg. Incl. bushg.
25.8727	6	2263215	RIVNUT-windshield wiper support-to panel.
25.8731	1	2286360	SCREW-w/s wiper control knob-set.
25.8733	AR	2224871	SEAL-windshield wiper support-100 in. long-CTL.
25.8737	2	2279050	SHIELD-w/s wiper motor-water.
25.8750	1	2258247	STRAINER-windshield wiper air line.
25.8755	1	2300011	SUPPORT-windshield wiper-RH. Also supports directional lamp.
25.8755	1	2300012	SUPPORT-windshield wiper-LH. Also supports directional lamp.
25.8760	1	699027	TEE-windshield wiper air line-w/1/4 line-2-1/2 in. long.
25.8763	4	118800	UNION-windshield wiper hose-1/4 x 1-7/32 to line.
25.8765	2	2278663	VALVE-windshield wiper control-w/air line connections.
25.8765	1	2331178	VALVE-windshield wiper control-w/o air line connections.

NOTE: Air pressure regulating valve shown in group 4.

25.8770	2	2306389	WASHER-windshield wiper motor-seal. On shaft at water shield. 37/64 ID, 1 OD leather.
25.8770	2	2306390	WASHER-windshield wiper motor-seal. On shaft at water shield. 37/64 ID, 1 OD steel.
25.8770	2	2333595	WASHER-windshield wiper motor-for use w/2338149 lever.

INSIDE REAR VIEW MIRROR

25.8925	1	2299555	MIRROR-inside rear view-Incl. brkt., glass, stud & clamps. Repl 2140549.
25.8925	1	2048541	MIRROR-inside rear view-head only.
25.8930	1	2301746	BRACKET-inside rear view mirror.
25.8935	2	2301748	CLAMP-inside rear view mirror-short.
25.8935	2	2301750	CLAMP-inside rear view mirror-long.
25.8935	2	2301749	CLAMP-inside rear view mirror-ball stud.
25.8955	1	2301747	STUD-ball, inside rear view mirror.

OUTSIDE REAR VIEW MIRROR

25.8965	1	2364389	MIRROR-outside rear view-RH. Incl. convex mirror glass, back, bezel and bumper. Repl. 2313095.
25.8965	1	2305334	MIRROR-outside rear view-LH. Incl. flat mirror glass, back & bezel.
25.8965	2	2305334	MIRROR-outside rear view-RH & LH. Incl. flat mirror glass, back & bezel. Later models.
25.8965	2	2305940	MIRROR-outside rear view-glass only set screw 1/2-20 x 5/8.
25.8970	1	2305331	ARM-outside rear view mirror-RH. Incl. body bracket.
25.8970	1	2305332	ARM-outside rear view mirror-LH. Incl. body bracket.
25.8970	2	2301917	ARM-outside rear view mirror-RH and LH side. Arm only.
25.8973	2	2312886	BEZEL-outside rear view mirror head-screw #8-32 x 1/2.
25.8980	1	2301882	BRACKET-outside rear view mirror-mounting. LH side.
25.8980	1	2301881	BRACKET-outside rear view mirror-mounting. RH side.
25.8982	2	2364390	BUMPER-outside rear view mirror-rubber screw #8-32 x 3/4 pan hd.
25.8984	2	2305932	CAP-outside rear view mirror-ball stud. RH and LH side. Cap screw #12-24 x 3/4.
25.8984	2	2305938	CAP-outside rear view mirror-swivel stud nut RH and LH side.
25.8986	2	2305934	NUT-outside rear view mirror stud-RH and LH side. 3/4-16.

25.8986E	2	2305931	RETAINER-outside rear view mirror ball stud spring—RH and LH side. Set screw 3/8-16 x 5/8.
25.8987	1	2243272	RIVNUT-outside rear view mirror-LH to panel.
25.8992	2	2305929	SEAT-outside rear view mirror ball stud-RH and LH side.
25.8998	2	2305930	SPRING-outside rear view mirror-ball stud. RH and LH side.
25.9008	2	2305928	STUD-outside rear view mirror-ball. RH and LH side. 1-3/8 dia. ball x 2-1/2 long.
25.9008	2	2305933	STUD-outside rear view mirror-swivel. RH and LH side. 3/4-16, 3/4-10 x 3-7/16.
25.9015	2	2305927	WASHER-outside rear view mirror-arm to bracket. RH and LH side. 1-11/32 ID x 2-7/16 OD x 11/16 thk., fiber.
25.9015	2	2305935	WASHER-outside rear view mirror-swivel stud nut. RH and LH side. 49/64 ID x 1-13/32 OD x 1/32 thk., steel.
25.9015	2	2305936	WASHER-outside rear view mirror-swivel stud nut. RH and LH side. 49/64 ID x 1-13/32 OD x 1/32 thk., steel, wave.
25.9015	2	2305937	WASHER-outside rear view mirror-swivel stud nut. RH and LH side. 25/32 ID x 1-7/32 OD x 1/16 thk., fiber.

SUN VISOR

25.9025	1	2315437	VISOR-sun-LH. W/bracket. 37-1/16 in. long repl. 2300977. 36 in. long.
25.9025	1	2315436	VISOR-sun-less bracket & plunger. Part 2300977 visor. Repl. 2315186, 2309882.
25.9027	1	2301228	BRACKET-sun visor-RH. Part of 2300977 & 2315437.
25.9027	1	2301229	BRACKET-sun visor-LH. Part of 2300977 & 2315437.
25.9031	2	2315187	NUT-sun visor screw-part of 2300977 visor.
25.9032	1	2311750	PLUNGER-sun visor-part of 2300977 visor.
25.9034	2	2315188	SCREW-sun visor-part of 2300977 visor reflectors.
25.9045	4	2235134	REFLECTORS-front-amber.
25.9045	4	2233133	REFLECTORS-rear-red.
25.9065	2	2304357	SPACER-reflector-front.
25.9065	2	2304358	SPACER-reflector-rear.
25.9065	2	2294106	SPACER-reflector-rear.

FIRE AXE

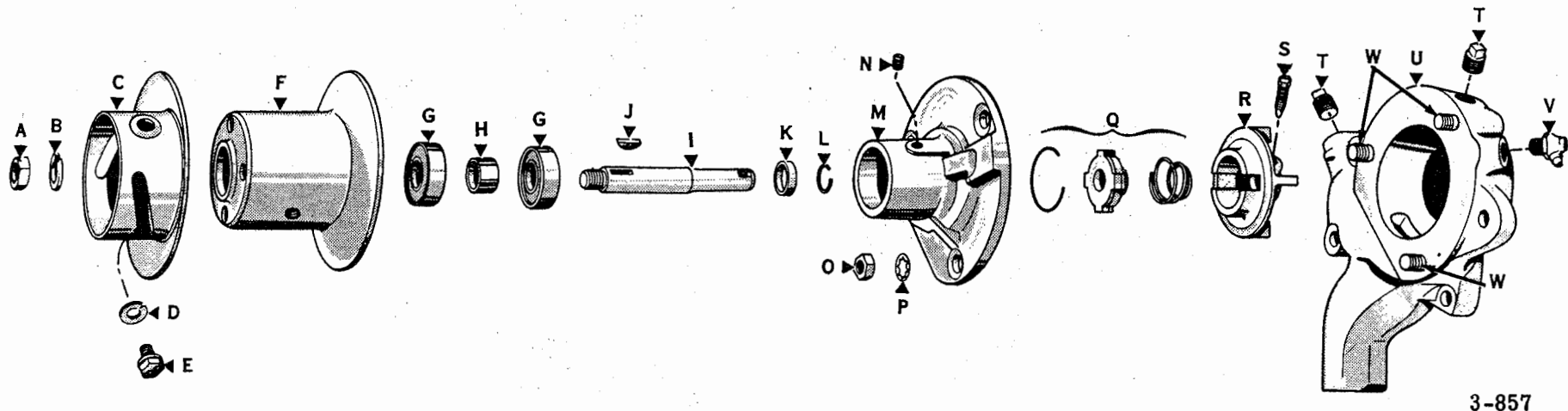
25.9085	1	2014436	AXE-fire-repl. 2126444.
25.9090	1	2300776	BRACKET-fire axe head.
25.9095	1	2162552	CLIP-fire axe handle.

FIRE EXTINGUISHER

25.9115	2	2233457	EXTINGUISHER-fire-1-1/2 qt. Incl. brkt. std repl 2233035 w/coaches using two extinguishers.
25.9115	1	2389443	EXTINGUISHER-fire-w/coaches using one extinguisher.
25.9117	1	2303100	ANGLE-fire equipment bracket-RH.
25.9117	1	2300774	ANGLE-fire equipment bracket-LH.
25.9120	1	2300775	BRACKET-fire equipment mounting panel-RH.
25.9120	1	2301923	BRACKET-fire equipment mounting panel-LH.
25.9121	1	2389444	BRACKET-fire extinguisher mtg.-used w/2389443 extinguisher. Screw #10-32 x 5/8 ovl. hd.

SAFETY EQUIPMENT

25.9165	3	2320234	FUSEE-safety flare.
25.9170	1	2219901	KIT-first aid.



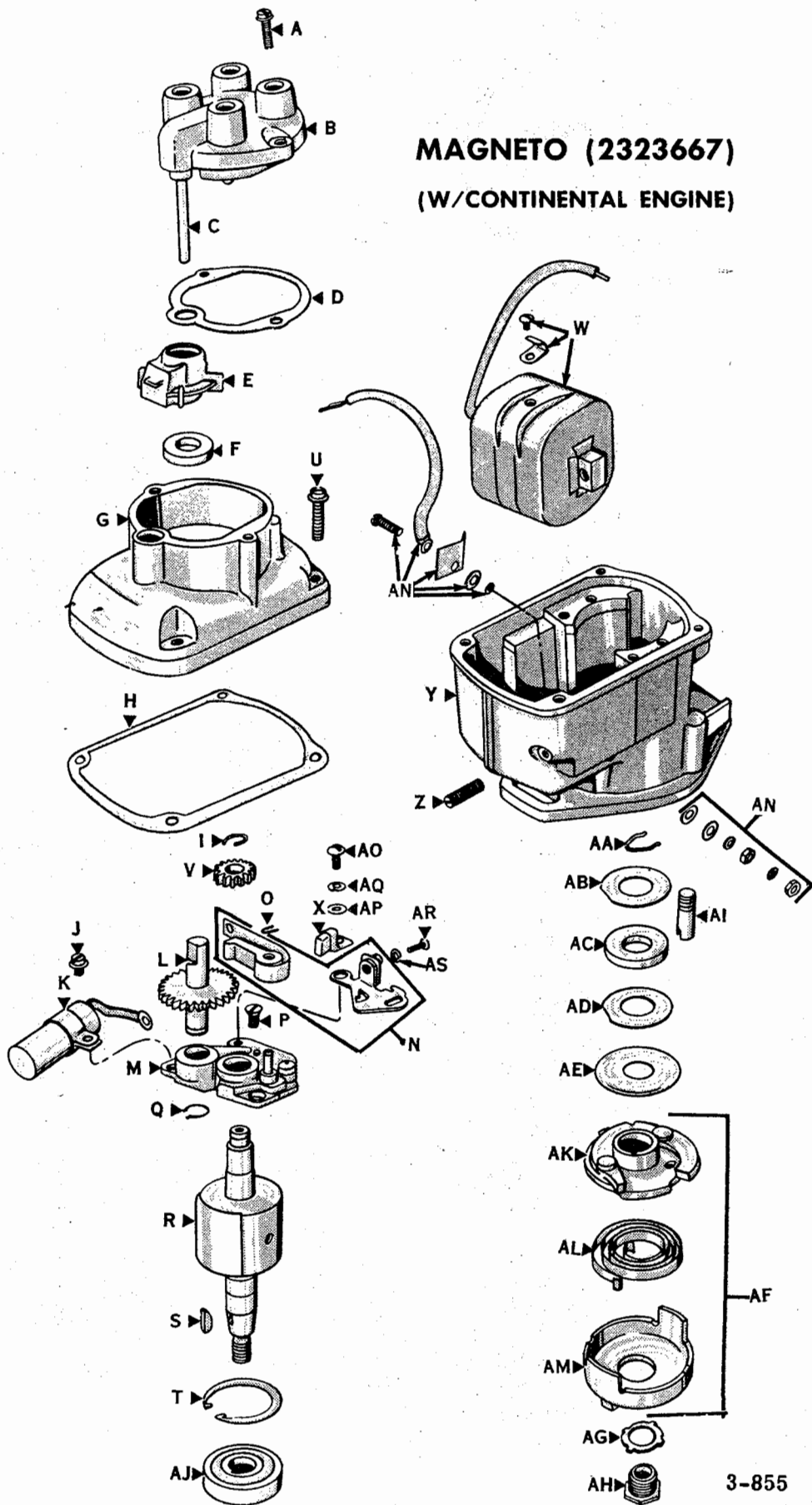
3-857

WATER PUMP (W/CONTINENTAL ENGINE)

Key	Description	Group No.	Key	Description	Group No.	Key	Description	Group No.
A	Nut	26.4995	I	Shaft	26.5105	Q	Seal	26.5090
B	Washer (7/16 Med.)	20.0820	J	Key	26.4975	R	Impeller	26.4960
C	Flange	26.4915	K	Retainer	26.5050	S	Screw - set	26.5085
D	Washer	N. S.	L	Ring	26.5060	T	Plug	26.5015
E	Bolt (1/4-20 x 1/2)	20.0050	M	Support	26.5150	U	Body	26.4865
F	Hub	26.4955	N	Screw	26.5080	V	Fitting (1/8 pipe-60°)	N. S.
G	Bearing	26.4845	O	Nut	26.5005	W	Stud	26.5145
H	Spacer	26.5130	P	Washer (3/8 int. tooth)	20.0815			

AIR CONDITIONING

MAGNETO (2323667)
(W/CONTINENTAL ENGINE)



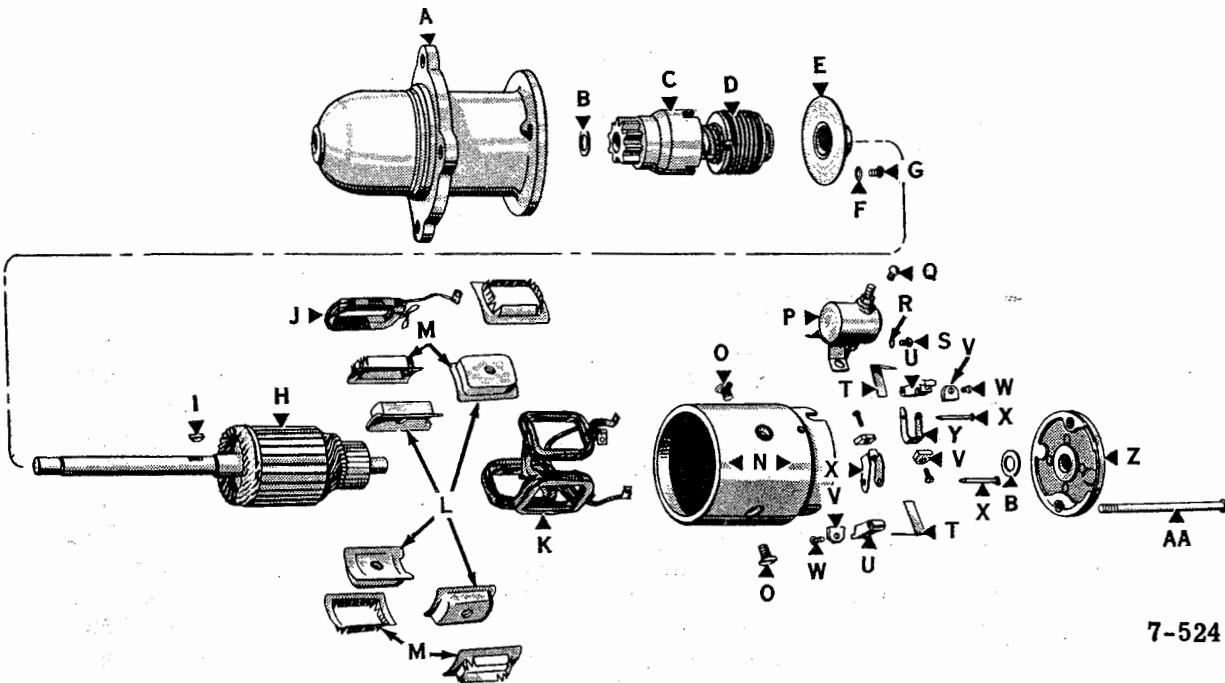
3-855

KEY TO MAGNETO (2323667)

(W/CONTINENTAL ENGINE)

Key	Description	Group No.
A	Screw (#8-32 x 1/2 fil. sltd. hd.)	Pro. Loc.
B	Cover	26. 5755
C	Rod - distributor	26. 5855
D	Gasket	26. 5790
E	Rotor - distributor	26. 5860
F	Seal - distributor shaft	26. 5875
G	Cap	26. 5740
H	Gasket	26. 5775
I	Ring - snap, rotor gear	26. 5845
J	Screw (#8-32 x 1/4 W/lockwasher)	N. S.
K	Condenser	26. 5750
L	Shaft - distributor. W/gear	26. 5880
M	Support	26. 5895
N	Arm	26. 5720
O	Ring - snap, fulcrum	26. 5840
P	Screw (#8-32 x 3/8 flat sltd. hd.)	N. S.
Q	Ring - snap, distributor shaft	26. 5845
R	Rotor - magnetic	26. 5860
S	Key	26. 5815
T	Ring - snap, rotor brg.	26. 5845
U	Screw - (#10-24 x 7/8 fil. sltd. hd.)	N. S.
V	Gear	26. 5795
W	Coil	26. 5745
X	Wick - cam (W/holder)(Part of M)	N. S.
Y	Housing	26. 5800
Z	Pin - coil bridge (1/4-20 x 7/8 sltd. hds.)	N. S.
AA	Ring - snap, rotor shaft	26. 5845
AB	Washer - inner	26. 5910
AC	Seal - rotor shaft	26. 5875
AD	Washer - outer	26. 5915
AE	Disc	26. 5760
AF	Coupling	26. 5753
AG	Washer	26. 5905
AH	Nut	26. 5820
AI	Pin	26. 5825
AJ	Bearing	26. 5725
AK	Hub (Part of AF)	N. S.
AL	Spring - drive (Part of AF)	N. S.
AM	Shell (Part of AF)	N. S.
AN	Wire	26. 5930
AO	Screw (#8-32 x 3/8 rd. sltd. hd.)	Pro. Loc.
AP	Washer	26. 5900
AQ	Washer (#8)	20. 0820
AR	Screw(#6-32 x 3/8 rd. sltd. hd.)	Pro. Loc.
AS	Washer (#6)	20. 0820

AIR CONDITIONING



7-524

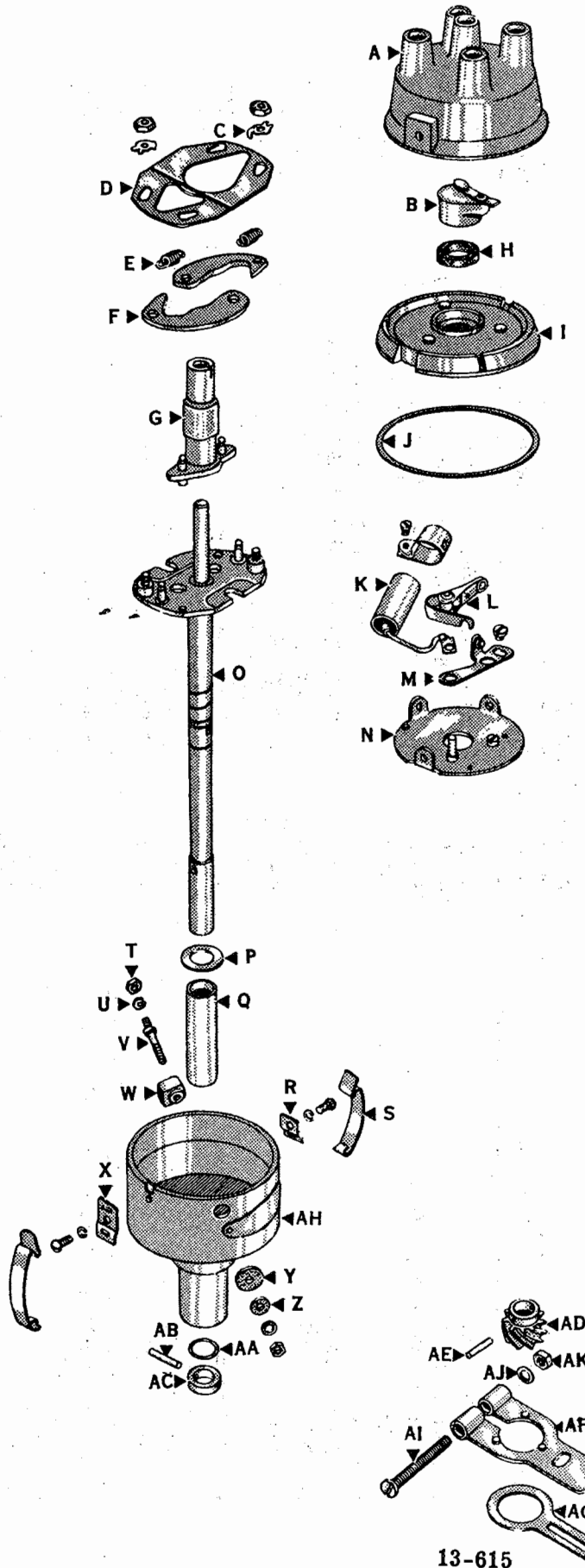
AIR CONDITIONING ENGINE STARTING MOTOR (1107630)

(W/Continental Engine)

Key	Description	Group No.
A	HOUSING - drive end	26. 5395
B	WASHER - spacer, D. E. & C. E.	26. 5505
C	DRIVE ASSY.	26. 5375
D	SPRING - motor drive	26. 5475
E	PLATE - center bearing, W/bushing	26. 5435
F	WASHER - center bearing screw	26. 5505
G	SCREW - center bearing	26. 5460
H	ARMATURE	26. 5335
I	KEY - Woodruff (5/32 x 5/8)	N. S.
J	COIL - field shunt	26. 5365
K	COIL - field	26. 5365
L	SHOE - pole	26. 5490
M	INSULATOR - coil	26. 5400
N	FRAME - starting motor	N. S.
O	SCREW - pole shoe	26. 5460
P	SWITCH	26. 6020
Q	SCREW - switch attaching	26. 6115
R	WASHER - brush lead screw	26. 5505
S	SCREW - brush lead	26. 5460
T	SPRING - brush	26. 5485
U	HOLDER - brush, insulated	26. 5390
V	BRUSH - starting motor	26. 5350
W	SCREW - brush attaching	26. 5460
X	PIN - brush holder	26. 5420
Y	HOLDER - brush, grounded	26. 5390
Z	FRAME - C. E.	26. 5380
AA	BOLT - thru	26. 5345

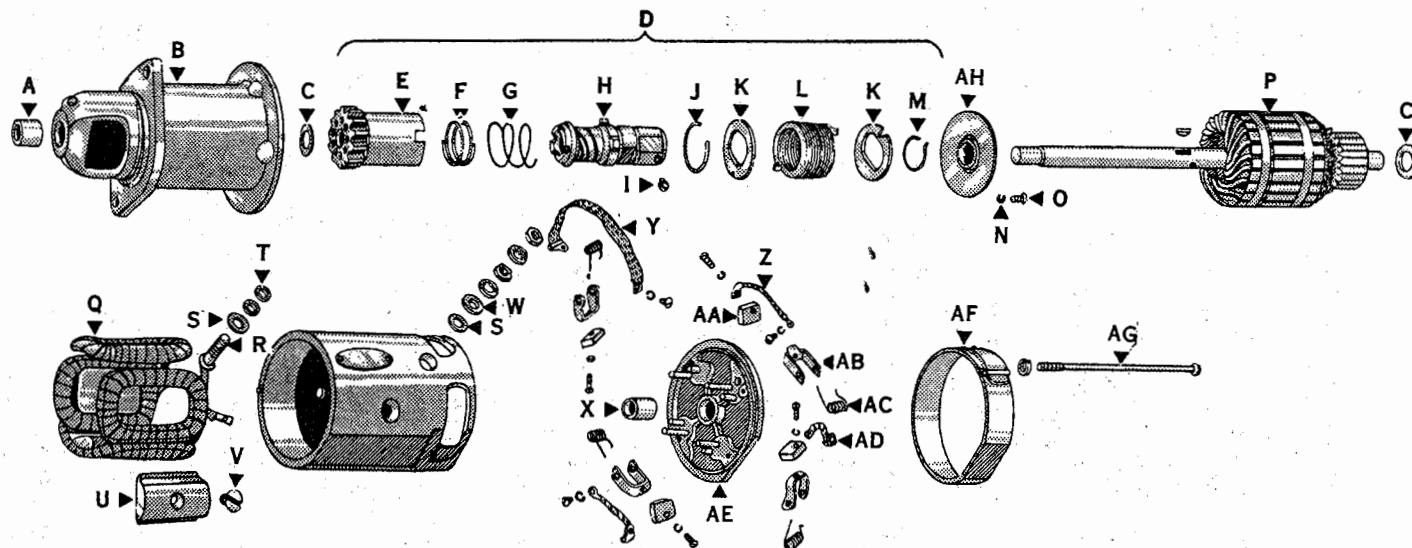
DISTRIBUTOR (222668)

(W/Waukesha Engine)



Key	Description	Group No.
A	CAP	26.5560
B	ROTOR	26.5630
C	WASHER - hold down plate nut. (.211" I.D. x .355" O.D. W/3 lips)	26.5675
D	PLATE - hold down	26.5620
E	SPRING - distributor weight	26.5650
F	WEIGHT	26.5695
G	CAM	26.5555
H	KIT - consist of (1) felt seal, (1) retainer	26.5535
I	COVER	26.5575
J	GASKET	26.5585
K	CONDENSER	26.5570
L	KIT - breaker (Consist of (1) arm, (1) point and support)	26.5530
M	POINT - Use breaker kit	26.5530
N	PLATE - breaker	26.5615
O	SHAFT	26.5640
P	WASHER - spacer (33/64 I.D. x 7/8 O.D. plain)	26.5693
Q	BUSHING - housing	26.5545
R	SUPPORT - Cap spring	26.5665
S	SPRING - cap	26.5650
T	NUT - terminal stud	26.5600
U	WASHER - terminal stud, inside (.173" I.D. x 5/16" O.D. x 1/32" thk.)	26.5685
V	STUD - terminal (#8-32 x 1-21/64)	26.5660
W	WASHER - terminal stud, insulating, inside (7/16" wide, 9/16 long, W/.176 I.D.)	26.5685
X	SUPPORT - locator	26.5670
Y	WASHER - terminal stud, insulating, outside (.170 I.D. x 9/16 O.D. x 1/16 thk.)	26.5685
Z	WASHER - terminal stud, plain stud. (.169 I.D. x 7/16 O.D. x .042 thk.)	26.5685
AA	WASHER - shaft	26.5680
AB	PIN - shaft collar	26.5610
AC	COLLAR	26.5565
AD	GEAR	26.5590
AE	PIN - gear	26.5605
AF	ARM	26.5540
AG	DIAL	26.5580
AH	HOUSING	26.5595
AI	SCREW - (1/4-20 x 2" fil. hd. sstd. procure locally)	NS
AJ	WASHER - (1/4" lock)	20.0820
AK	NUT - (1/4-20 hex)	20.0440

13-615

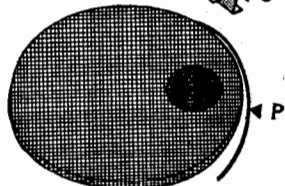
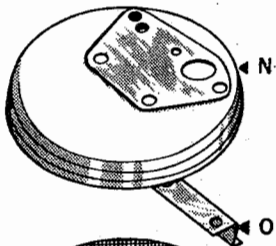
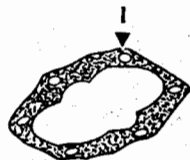
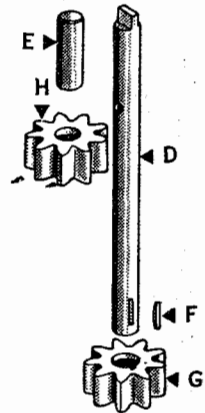
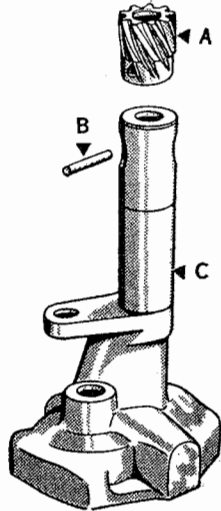


13-519

STARTING MOTOR (1108557)
(W/Waukesha Engine)

AIR CONDITIONING

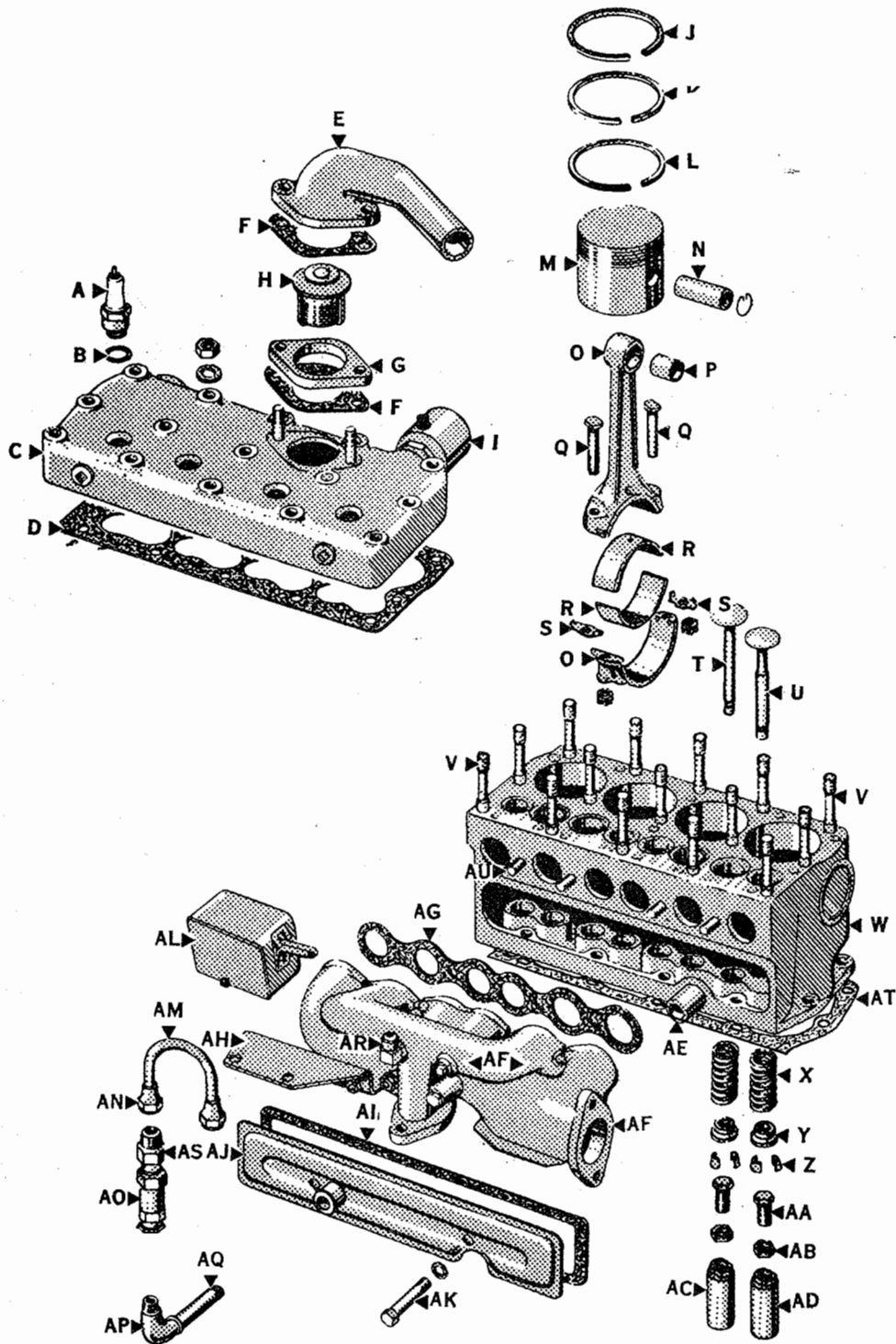
Key	Description	Group No.	Key	Description	Group No.
A	BUSHING - DE	26.5355	R	STUD - terminal (3/8-16 x 1-7/16)	26.5497
B	HOUSING - DE	26.5395	S	WASHER - insulating (25/64 I.D. x 3/4 O.D.)	26.5510
C	WASHER - DE (.563 x 63/64 O.D.)	26.5505	T	WASHER - insulating (.388 I.D. x 9/16 O.D.)	26.5510
D	DRIVE	26.5375	U	SHOE	26.5490
E	PINION	26.5430	V	SCREW - pole shoe (3/8-24 x 38/64)	26.5460
F	SPRING - Mesh	26.5475	W	WASHER - terminal stud (.383 I.D. x 11/16 O.D. plain)	26.5510
G	SPRING - Anti-drift	26.5480	X	BUSHING - CE	26.5355
H	SHAFT	26.5465	Y	LEAD - Connector, brush to field	26.5405
I	SCREW - pilot	26.5455	Z	LEAD - brush ground	26.5405
J	RING - snap	26.5450	AA	BRUSH	26.5340
K	PLATE - drive spring	26.5440	AB	HOLDER	26.5390
L	SPRING - drive	26.5470	AC	SPRING - brush	26.5485
M	RING - lock	26.5453	AD	LEAD - brush to field	26.5405
N	WASHER - center brg. screw (.200 I.D. x .3875 O.D. lock)	26.5505	AE	FRAME - C.E.	26.5380
O	SCREW - attaching center brg. (.1900" - 32 x 7/16" rd. sltd. hd.)	26.5460	AF	BAND	26.5340
P	ARMATURE	2.5335	AG	BOLT - thru (1/4-20 x 6-5/16 hex. hd.)	26.5345
Q	COIL	26.5365	AH	PLATE - center brg. (Incl. bshg.)	26.5435



OIL PUMP (2323659)
(W/CONTINENTAL ENGINE)

Key	Description	Group No.
A	Gear - drive	26.7260
B	Pin - drive gear to body	N.S.
C	Body	26.7150
D	Shaft	26.7320
E	Stud	26.7350
F	Key	26.7265
G	Gear - driver	26.7260
H	Gear - idler	26.7260
I	Gasket	26.7250
J	Cover	26.7180
K	Bolt (1/4-20 x 5/8)	20.0050
L	Washer (1/4 lock)	20.0820
M	Gasket	26.7255
N	Frame	26.7230
O	Screen	26.7305
P	Spacer	26.7328

3-854



3-844

ENGINE CYLINDER HEAD AND BLOCK

(Waukesha)

KEY TO ENGINE CYLINDER HEAD AND BLOCK

(Waukesha)

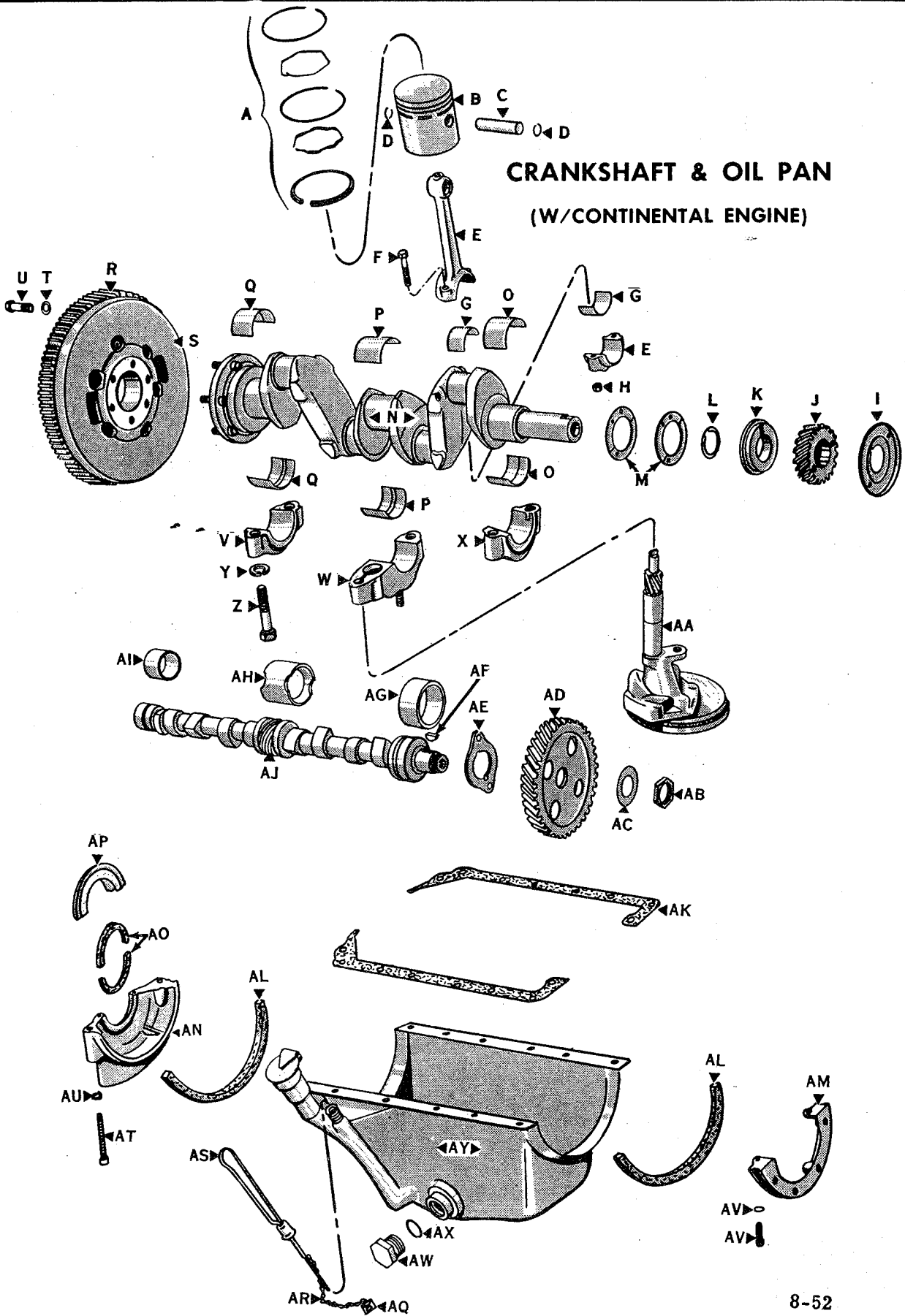
Key	Description	Group No.
A	PLUG - spark	26.5985
B	GASKET	26.5975
C	HEAD	26.6275
D	GASKET	26.6280
E	FITTING	26.5240
F	GASKET	26.5250
G	SPACER	26.5295
H	THERMOSTAT	26.4825
I	ALARMOSTAT	26.6150
J	RING - piston (upper)	26.6610
K	RING - piston (lower)	26.6610
L	RING - oil (oil)	26.6610
M	PISTON	26.6605
N	PIN	26.6600
O	ROD	26.6575
P	BUSHING	26.6590
Q	BOLT	26.6580
R	BEARING	26.6580
S	SHIM	26.6625
T	VALVE (Intake)	26.6310
U	VALVE (Exhaust)	26.6310
V	STUD (3/8"-16 x 2-19/32")	26.6295
W	BLOCK	26.6250
X	SPRING	26.6390
Y	RETAINER	26.6370
Z	CLIP	26.6320
AA	SCREW	26.6380
AB	NUT	26.6360
AC	GUIDE (Intake valve)	26.6340
AD	GUIDE (Exhaust valve)	26.6340
AE	COUPLING - water, engine inlet	26.5220
AF	MANIFOLD	26.7370
AG	GASKET	26.7380
AH	SHIELD	26.7395
AI	GASKET	26.6335
AJ	DOOR	26.6330
AK	STUD - valve door (5/16"-18 x 15/16")	26.6400
AL	SOLENOID - choke control	26.7470
AM	LINE - ventilating valve (5/16" O.D. Copper)	26.7023
AN	NUT - ventilating valve line (5/16"-20 x 7/8")	26.0420
AO	VALVE - ventilating	26.7100
AP	ELBOW - ventilating valve (at valve)	26.6995
AQ	NIPPLE - (1/8-3" pipe)	26.7030
AR	ELBOW - ventilating valve (at manifold)	26.6995
AS	CONNECTOR - (5/16" x 1/4" pipe thrd.)	26.6985
AT	GASKET	26.6255
AU	STUD (5/16"-18-24 x 1-3/16")	26.7400

KEY TO ENGINE CYLINDER BLOCK AND HEAD

(W/Continental Engine)

Key	Description	Group No.	Key	Description	Group No.
A	Head	26. 6275	AG	Gasket - flange plate	26. 8090
B	Gasket	26. 6280	AH	Washer	N. P. N.
C	Gasket	26. 7380	AI	Nut	26. 8115
D	Block	26. 6250	AJ	Governor	26. 8050
E	Stud	26. 6295	AK	Gasket - to gear cover	26. 8090
F	Plug	26. 7055	AL	Gasket	26. 5770
G	Gasket	26. 7010	AM	Magneto	26. 5710
H	Spring	26. 7080	AN	Screw	26. 6380
I	Valve	26. 7095	AO	Nut	26. 6360
J	Gasket	26. 4920	AP	Lifter	26. 6345
K	Cover	26. 4905	AQ	Valve	26. 6310
L	Gasket	26. 4935	AR	Cup	26. 6315
M	Pump	26. 4840	AS	Guide	26. 6340
N	Flange	26. 4915	AT	Spring	26. 6390
O	Belt	26. 4860	AU	Seat	26. 6385
P	Pulley	26. 5040	AV	Lock	26. 6355
Q	Screw	26. 5075	AW	Ring	26. 6375
R	Washer	26. 5155	AX	Gasket - to cylinder block	26. 6337
S	Collar	26. 4900	AY	Cover	26. 6325
T	Key	26. 4970	AZ	Elbow (3/8 pipe)	Pro. Loc.
U	Seal	26. 6855	BA	Line	26. 6350
V	Cover	26. 6740	BB	Carburetor	26. 7795
W	Gasket	26. 6755	BC	Gasket - mtg., to engine	26. 7850
X	Plate	26. 6230	BD	Manifold (Exhaust)	26. 7370
Y	Gasket	26. 6225	BE	Plate	26. 7385
Z	Stud	26. 8175	BF	Gasket	26. 7380
AA	Spring - governor	26. 8170	BG	Manifold (Intake)	26. 7370
AB	Lever	26. 8110	BH	Housing	26. 6670
AC	Rod	26. 8145	BI	Support	26. 5990
AD	Bolt	26. 8070	BJ	Grommet	26. 5980
AE	Washer - upper bolt	26. 8180	BK	Joint	26. 8100
AF	Plate	26. 8130			

CRANKSHAFT & OIL PAN (W/CONTINENTAL ENGINE)

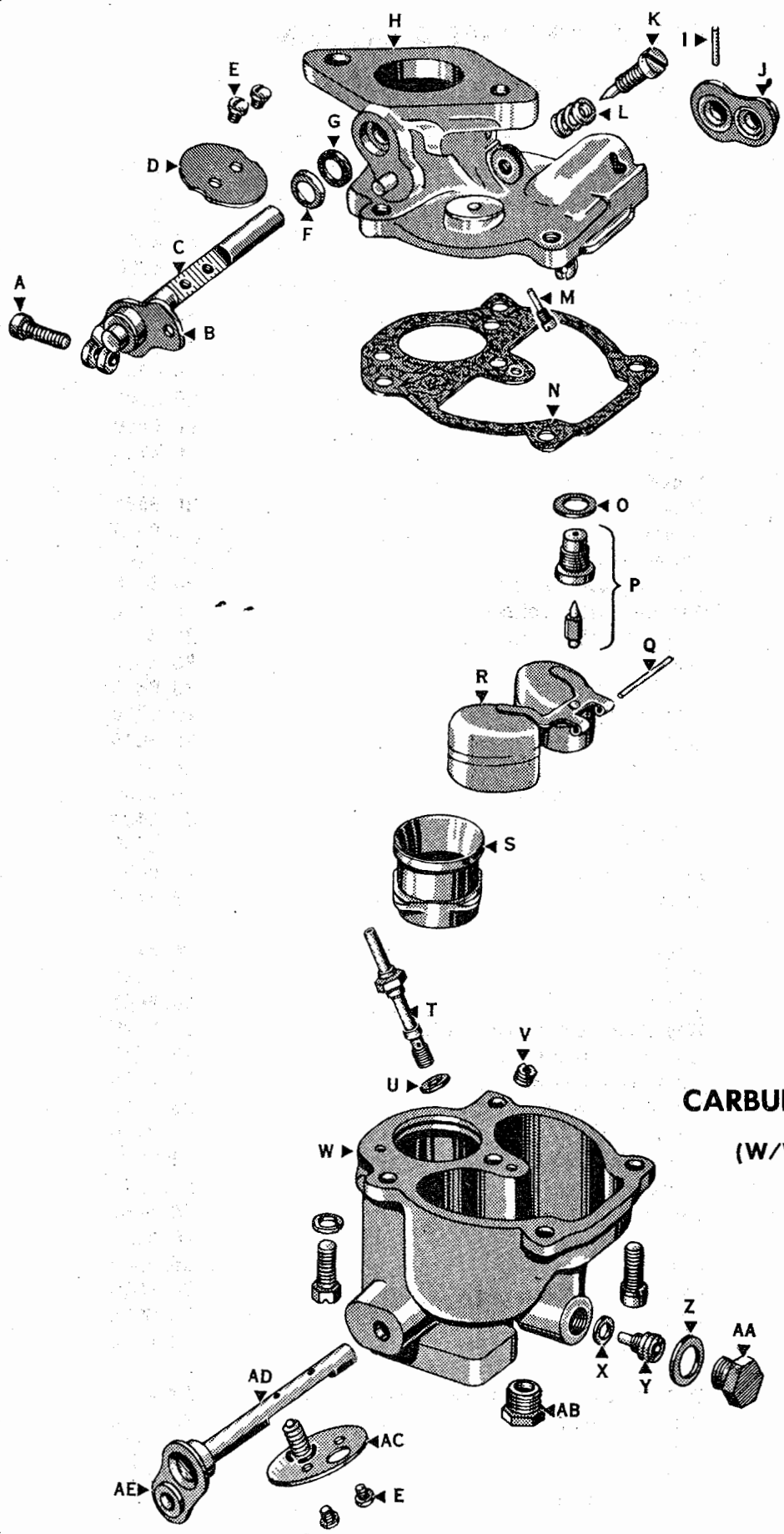


KEY TO CRANKSHAFT & OIL PAN

(W/CONTINENTAL ENGINE)

Key	Description	Group No.
A	Ring Set	26. 6615
B	Piston	26. 6605
C	Pin	26. 6600
D	Ring	26. 6620
E	Rod	26. 6575
F	Bolt	26. 6585
G	Bearing	26. 6580
H	Nut	26. 6595
I	Slinger	26. 6550
J	Gear	26. 6700
K	Plate	26. 6520
L	Shim	26. 6545
M	Washer	26. 6565
N	Crankshaft	26. 6465
O	Bearing Kit - front	26. 6475
P	Bearing Kit - center	26. 6475
Q	Bearing Kit - rear	26. 6475
R	Gear	26. 6665
S	Flywheel	26. 6640
T	Washer (3/8)	20. 0815
U	Bolt	26. 6645
V	Cap - rear	26. 6495
W	Cap - intermediate	26. 6495
X	Cap - front	26. 6495
Y	Washer	26. 6560
Z	Bolt	26. 6490
AA	Pump	26. 7140
AB	Nut	26. 6790
AC	Lock	26. 6785
AD	Gear	26. 6695
AE	Plate	26. 6445
AF	Key (5/32 x 5/8 Woodruff)	26. 6770
AG	Bushing - front	26. 6435
AH	Bushing - center	26. 6435
AI	Bushing - rear	26. 6435
AJ	Camshaft	26. 6430
AK	Gasket	26. 7245
AL	Gasket - arch	26. 7245
AM	Block - (front)	26. 6480
AN	Block - (rear)	26. 6480
AO	Seal	26. 6535
AP	Guard	26. 6510
AQ	Clip	26. 6975
AR	Chain	26. 6970
AS	Rod	26. 7060
AT	Bolt (5/16-18 x 7/8 hex. socket hd.)	Pro. Loc.
AU	Washer (5/8)	20. 0815
AV	Bolt	26. 6485
AW	Plug - drain	26. 7295
AX	Gasket - drain plug	26. 7245
AY	Pan	26. 7280

AIR CONDITIONING



CARBURETOR (2191688)
(W/Waukesha Engine)

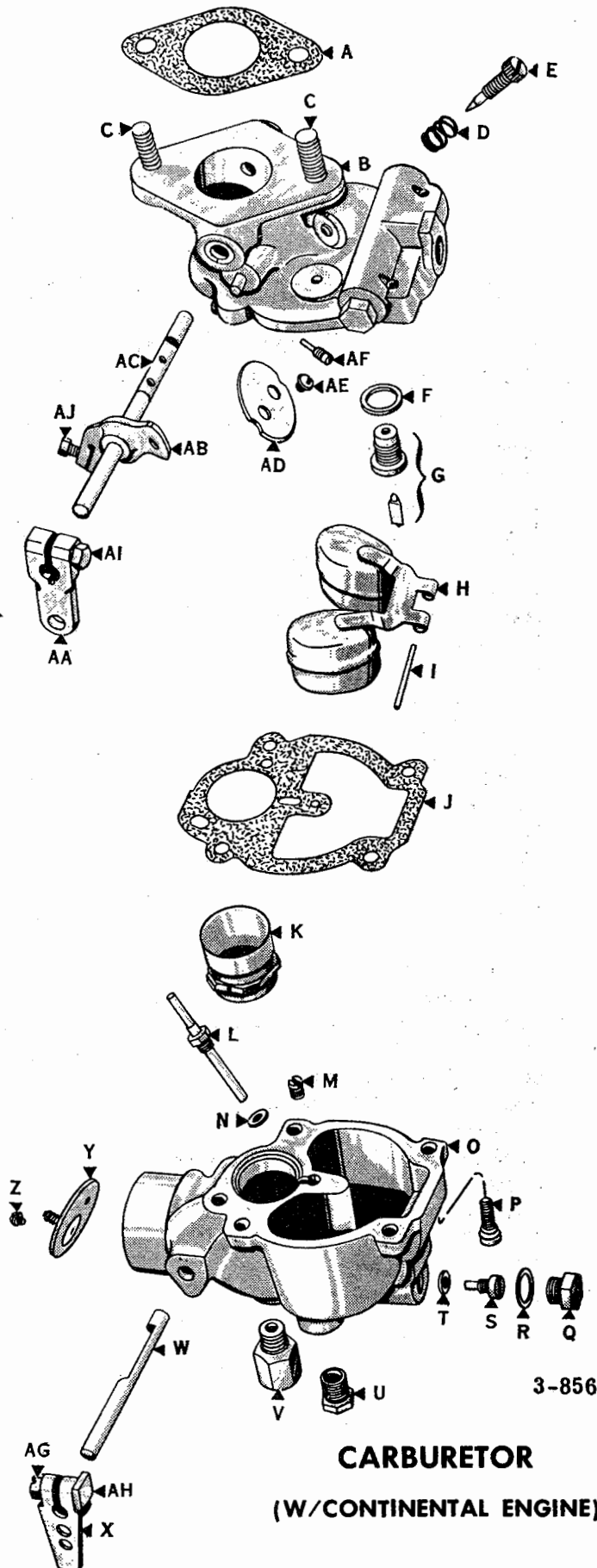
12-516

KEY TO CARBURETOR (2191688)

(W/Waukesha Engine)

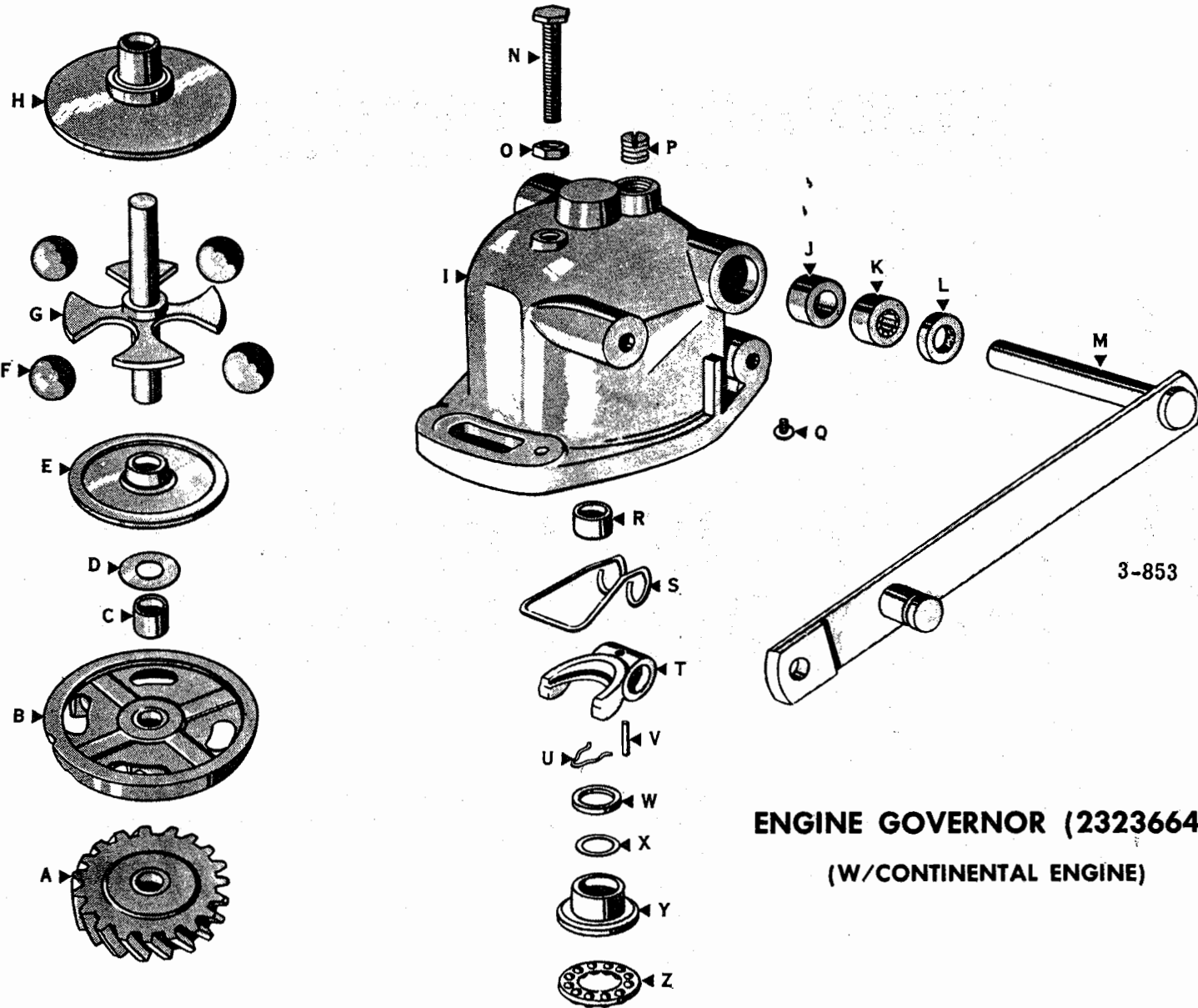
Key	Description	Group No.
A	SCREW - stop lever	26.7965
B	LEVER - throttle (1 hole)	26.7880
C	SHAFT - throttle	26.7995
D	PLATE - throttle	26.7905
E	SCREW - throttle plate (#5-40 x 3/16" rd. hd.)	26.7975
F	RETAINER	26.7950
G	WASHER - throttle shaft, packing. (.028 I.D. x .044 O.D. x .018 thk.)	26.8040
H	BODY	26.7815
I	PIN - throttle lever	26.7895
J	LEVER - throttle (2 hole)	26.7880
K	SCREW - needle, idle adj. (5/16" rd. knurled)	26.7985
L	SPRING	26.8010
M	JET - idle	26.7860
N	GASKET - bowl to body	26.7855
O	WASHER - valve seat	26.8030
P	VALVE - fuel	26.8020
Q	AXLE	26.7810
R	FLOAT	26.7840
S	VENTURI - Main	26.8025
T	JET - discharge	26.7860
U	WASHER - discharge jet (.235 O.D.)	26.8035
V	JET - well vent. at fuel bowl	26.7860
W	BOWL - fuel, carburetor	26.7720
X	WASHER - Main jet (.200 I.D.)	26.8035
Y	JET - Main	26.7860
Z	WASHER - Main jet passage plug (.380 I.D.)	26.8035
AA	PLUG - Main jet passage	26.7915
AB	PLUG - fuel inlet	26.7915
AC	SHUTTER	26.8005
AD	SHAFT - air shutter	26.7990
AE	LEVER - air shutter	26.7865

AIR CONDITIONING



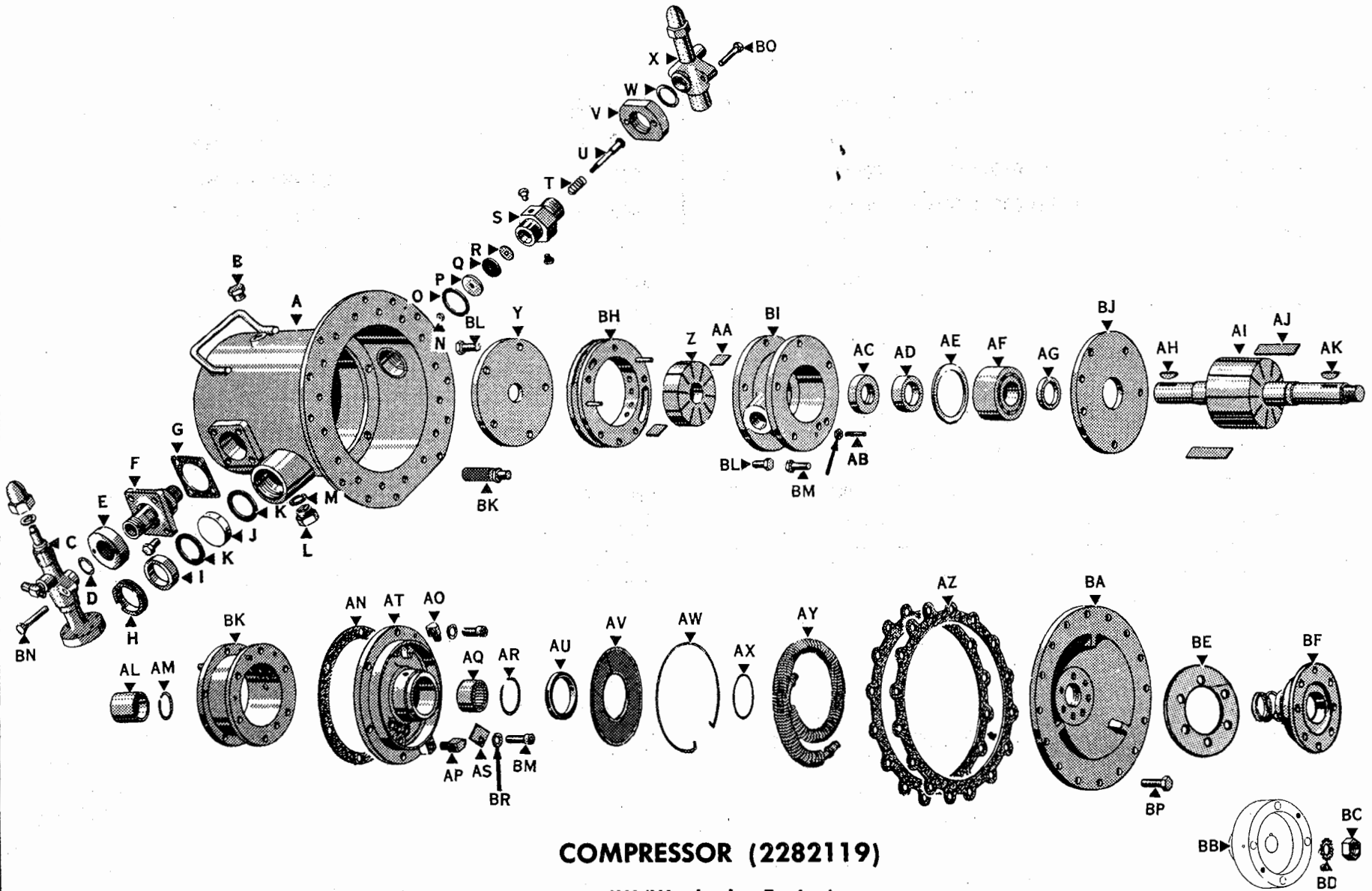
KEY TO CARBURETOR
(W/CONTINENTAL ENGINE)

Key	Description	Group No.
A	Gasket	26.7850
B	Body	26.7815
C	Stud	26.8015
D	Spring	26.8010
E	Screw - needle, idle adj. (5/16 rd. knurled)	26.7985
F	Washer - valve seat	26.8030
G	Valve (W/seat)	26.8020
H	Float	26.7840
I	Axle	26.7810
J	Gasket	26.7855
K	Venturi	26.8025
L	Jet - discharge	26.7860
M	Jet - well vent	26.7860
N	Washer - discharge jet	26.8035
O	Bowl	26.7820
P	Screw (#10-32 x 5/8 rd. sltd. hd.)	N. S.
Q	Plug - main jet passage	26.7915
R	Washer - main jet passage plug	26.8035
S	Jet - main	26.7860
T	Washer - main jet	26.8035
U	Plug - fuel channel	26.7930
V	Plug - intake drain	26.7935
W	Shaft	26.7990
X	Lever	26.7870
Y	Shutter	26.8005
Z	Screw (#5-40 x 3/16 rd. hd.)	26.7975
AA	Lever - clamp	26.7875
AB	Lever - stop	26.7880
AC	Shaft	26.7995
AD	Plate	26.7910
AE	Screw (#5-40 x 3/16 rd. hd.)	26.7660
AF	Jet - idle	26.7860
AG	Screw - choke lever	26.7980
AH	Nut	26.7885
AI	Screw - clamp lever	26.7970
AJ	Screw - stop lever	26.7965



KEY TO ENGINE GOVERNOR (2323664)
(W/CONTINENTAL ENGINE)

Key	Description	Group No.	Key	Description	Group No.
A	Gear	26.8095	N	Screw - adj. (1/4-28 x .138)	26.8150
B	Base (W/Bushing)	26.8060	O	Nut - (1/4-28 R. H. thd.)	20.0460
C	Bushing (Part of B)	N. S.	P	Plug - (1/8-27 rd. sltd. hd.)	26.8135
D	Washer - thrust	26.8180	Q	Screw - (#8-32 x 1/4 rd. sltd. hd.)	N. S.
E	Race - lower	26.8140	R	Bushing - (Body)	26.8073
F	Ball - 3/4" dia.	N. S.	S	Spring - bumper	26.8170
G	Shaft	26.8165	T	Fork	26.8080
H	Race - upper	26.8140	U	Clip	26.8075
I	Body - (W/Bushing & oil seal)	26.8065	V	Pin	26.8125
J	Bushing - (Lever shaft)	26.8073	W	Washer - stop (.050 thk.)	26.8180
K	Bearing - needle	26.8063	X	Washer - stop (.010 thk.)	26.8180
L	Seal - oil	26.8160	Y	Base	26.8085
M	Lever	26.8105	Z	Bearing - thrust	N. S.



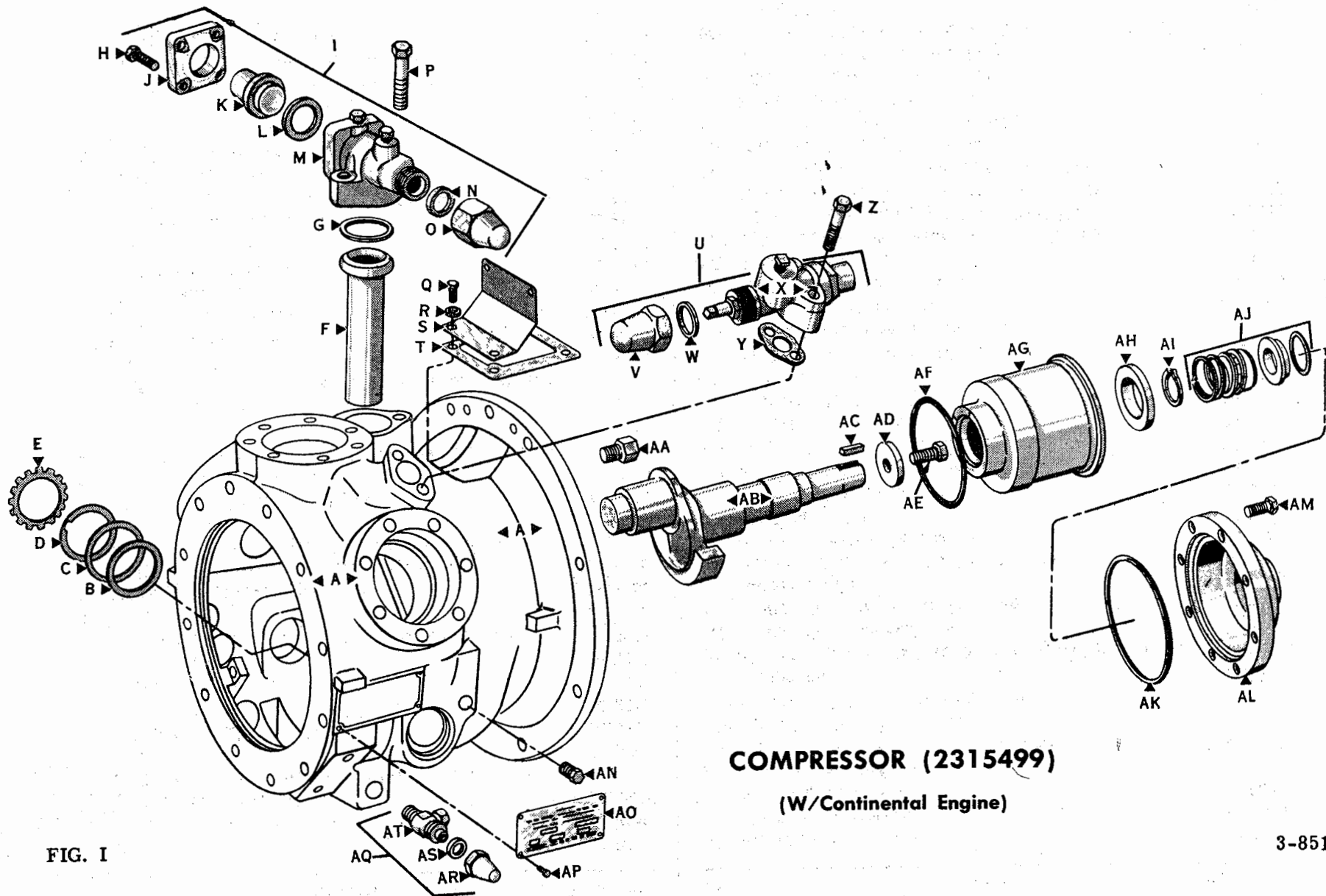
COMPRESSOR (2282119)

(W/Waukesha Engine)

KEY TO COMPRESSOR (2282119)

(W/Waukesha Engine)

Key	Description	Group No.	Key	Description	Group No.
A	SHELL	26.8495	AI	ROTOR - low pressure	26.8465
B	PLUG - discharge valve (3/8 pipe)	26.8440	AJ	VANE - low pressure	26.8535
C	VALVE - inlet, shut-off	26.8525	AK	KEY - rotor (1/4 x 1")	26.8385
D	WASHER - discharge valve (7/8 I.D. x 1-3/32 O.D. x 1/32 thk.)	26.8540	AL	RACE - rotor shaft, front	26.8445
E	FLANGE - discharge valve	26.8340	AM	RING - lock, rotor shaft front brg. race	26.8450
F	CONNECTION	26.8316	AN	GASKET - front bearing cover	26.8355
G	GASKET - connection	26.8370	AO	ELBOW - Oil supply line (5/16-20 x 1/8" pipe thrd.)	26.8335
H	NUT - Oil level sight glass	26.8405	AP	ELBOW - Oil supply line (5/16-20 x 1/8" pipe thrd.)	26.8335
I	WASHER - (1-3/8 I.D. x 1.911" O.D. x 9/16" thk.)	26.8545	AO	BEARING - rotor shaft, front	26.8295
J	GLASS	26.8375	AR	RING - lock, rotor shaft front brg.	26.8450
K	GASKET - Oil level sight glass	26.8360	AS	BAFFLE - inlet	26.8293
L	PLUG - drain, discharge valve (magnetic)	26.8440	AT	COVER - front brg. (N.S. Use 2241944)	26.8325
M	WASHER - drain plug (7/8 I.D. x 1-3/32 O.D. x 1/32 thk.)	26.8540	AU	RING - packing, front cover	26.8455
N	NUT - check valve (1/4-28 hex.)	26.8400	AV	SCREEN - inlet	26.8470
O	GASKET - check valve body	26.8350	AW	RING - inlet screen, outer	26.8460
P	WASHER - check valve seat, lower (1/4 I.D. x 1-5/16 x 3/16" thk.)	26.8540	AX	RING - inlet screen, inner	26.8460
Q	SEAT - check valve	26.8490	AY	LINE - Oil supply, pinned	26.8395
R	WASHER - check valve seat, upper (1/4 I.D. x 15/16" O.D. x 1/16" thk.)	26.8540	AZ	GASKET - front cover	26.8355
S	BODY - check valve	26.8310	BA	COVER - front	26.8320
T	SPRING - check valve	26.8505	BB	HUB - coupling	26.8380
U	STEM - check valve	26.8513	BC	NUT - rotor end (3/4"-16 hex.)	26.8415
V	FLANGE - inlet valve	26.8340	BD	WASHER - rotor end nut (3/4 lock)	20.0820
W	GASKET - inlet valve	26.8355	BE	GASKET - seal, front cover	26.8365
X	VALVE - discharge, shut-off	26.8525	BF	SEAL - rotor shaft (W/flange)	26.8480
Y	COVER - high pressure (N.S. Use 2241944)	26.8325	BG	SCREEN - Oil	26.8475
Z	ROTOR - high pressure	26.8465	BH	CYLINDER - high pressure (N.S. Use 2241944)	26.8325
AA	VANE - high pressure	26.8530	BI	COVER - rear bearing (N.S. Use 2241944)	26.8325
AB	DOWEL - bearing cover	26.8330	BJ	PLATE - rear bearing cover (N.S. Use 2241944)	26.8325
AC	SEAL - Oil, rotor shaft rear bearing	26.8485	BK	CYLINDER - low pressure (N.S. Use 2241944)	26.8325
AD	RING - retainer rotor shaft rear bearing	26.8460	BL	BOLT - (3/8-16 x 7/8 hex. hd.)	NS
AE	SPRING - retainer, rotor shaft rear bearing	26.8510	RM	BOLT - (3/8-16 x 1-1/8 hex. hd.)	NS
AF	BEARING - rotor shaft, rear	26.8295	BN	BOLT - (3/8-16 x 2 hex. hd.)	NS
AG	SPACER - rotor shaft, rear bearing	26.8500	BO	BOLT - (1/2-13 x 2-1/2 hex. hd.)	NS
AH	KEY - rotor - (3/16 x 1")	26.8385	BP	BOLT - (3/8-16 x 3/4 hex. hd.)	NS
			BQ	WASHER - front bearing cover (3/8 I.D. x 17/32 O.D. x 1/32 thk.)	26.8540
			BR	NUT - (1/4-20 light hex.)	20.0460



KEY TO COMPRESSOR (2315499)

(W/Continental Engine)

Fig. I

Key	Description	Group No.	Key	Description	Group No.
A	Housing	26. 8378	X	Body - discharge valve (On housing)	26. 8310
B	Gasket	26. 8360	Y	Gasket - discharge valve to housing	26. 8370
C	"O" Ring - sight glass	26. 8446	Z	Bolt (3/8-16 x 2" hex. hd.)	20. 0050
D	Glass	26. 8370	AA	Valve - gas check	26. 8525
E	Ring - retaining, sight glass	26. 8457	AB	Crankshaft	26. 8323
F	Strainer - gas	26. 8515	AC	Key	26. 8390
G	Ring - "O" (To housing)	26. 8446	AD	Washer - crankshaft	26. 8540
H	Bolt (Part of I)	N. S.	AE	Bolt - (7/16-20 x 1 hex. hd.)	20. 0050
I	Valve - suction (On hsg.)	26. 8315	AF	Ring - "O" (Bearing head)	26. 8446
J	Flange	26. 8340	AG	Head - crankshaft bearing	26. 8377
K	Adapter	26. 8291	AH	Bearing - thrust	26. 8295
L	Gasket - adapter to body	26. 8370	AI	Ring - thrust bearing	26. 8457
M	Body - suction valve	26. 8310	AJ	Seal	26. 8483
N	Gasket - nut to body	26. 8370	AK	Ring - "O" (Oil seal cover)	26. 8446
O	Cap - suction valve	26. 8400	AL	Cover - oil seal	26. 8320
P	Bolt -(1/2-13 x 2-3/4 hex. hd.)	Pro. Loc.	AM	Bolt (5/16-18 x 1" hex. hd.)	20. 0050
Q	Bolt - (#10-32 x 1/2 rd. hd.)(446607)	20. 0060	AN	Plug (1/8-27 sl. hdls.)	26. 8440
R	Washer (#10 lock)	20. 0820	AO	Plate - name plate	N. S.
S	Plate	26. 8438	AP	Screw - name plate (#2 x 3/16 drive)	N. S.
T	Gasket	26. 8350	AQ	Valve - oil charging	26. 8525
U	Valve - discharge (On housing)	26. 8525	AR	Cap - oil charging valve	26. 8315
V	Cap - discharge valve (On housing)	26. 8315	AS	Gasket - oil charging valve	26. 8370
W	Gasket - cap to body	26. 8370	AT	Body - oil charging valve	N. S.

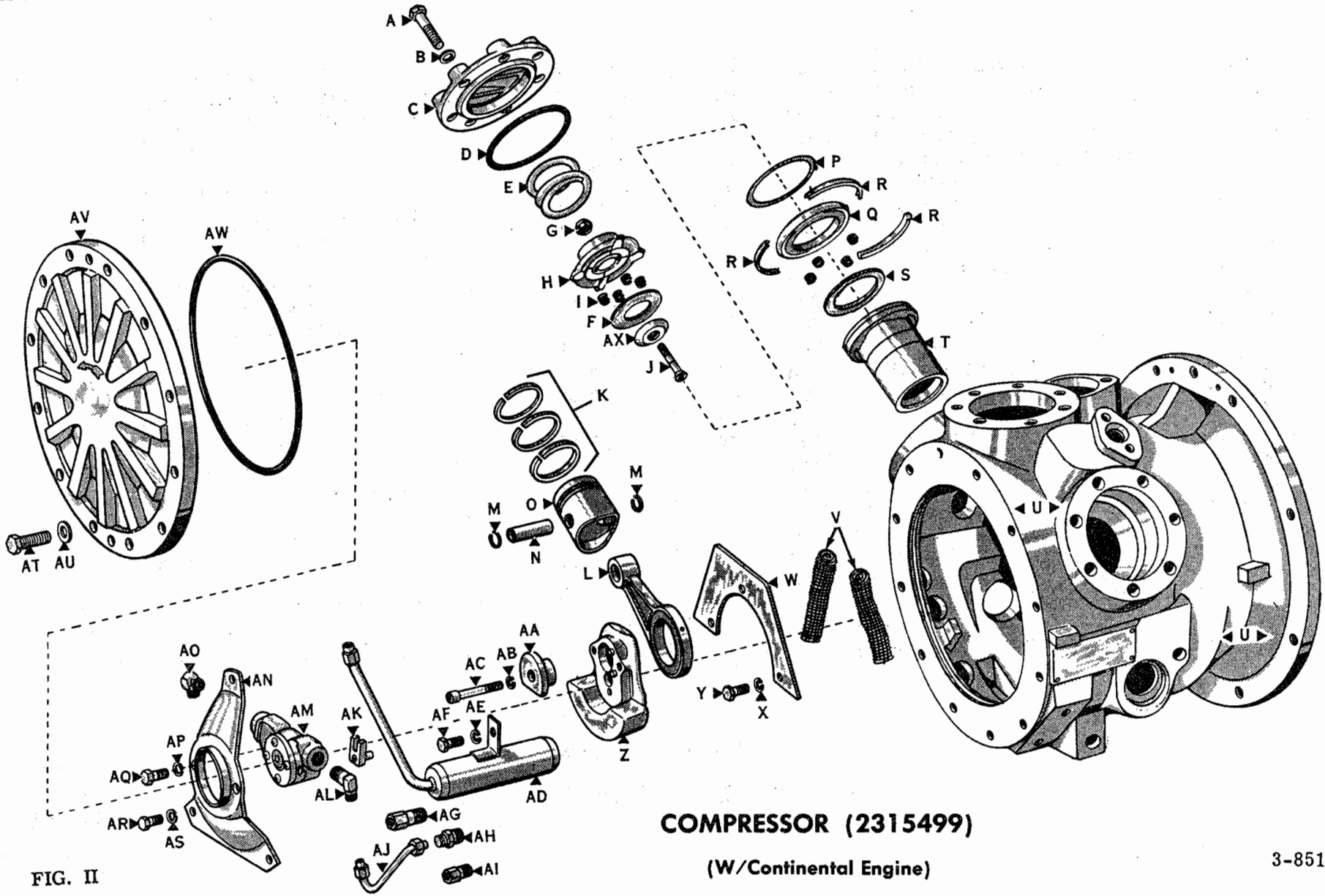


FIG. II

COMPRESSOR (2315499)

(W/Continental Engine)

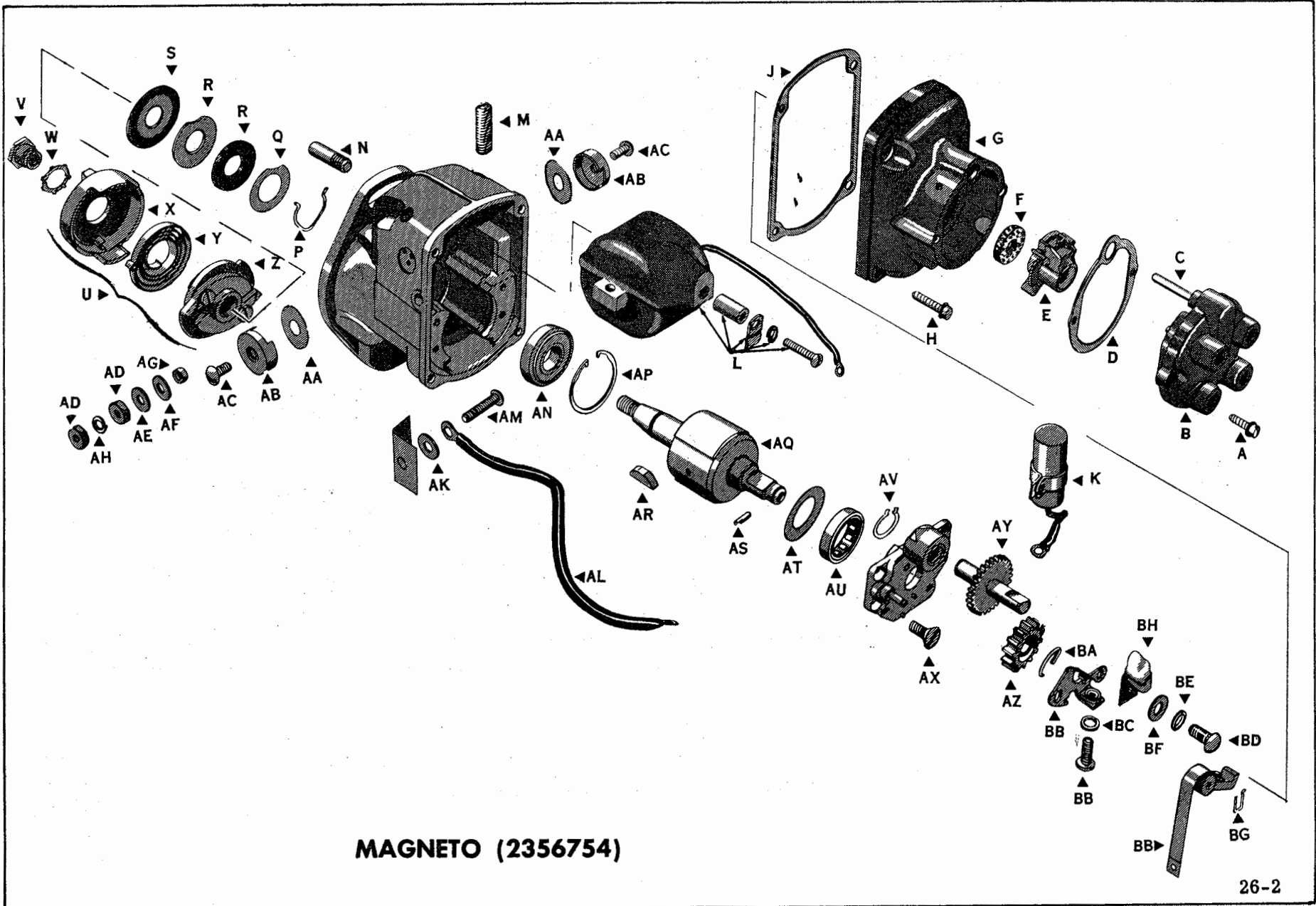
3-851

KEY TO COMPRESSOR (2315499)

(W/Continental Engine)

Fig. II

Key	Description	Group No.	Key	Description	Group No.
A	Bolt (7/16-14 x 1-3/4)	20.0050	Z	Counter Weight (Part crankshaft)	N. S.
B	Washer (7/16 flat)	20.0795	AA	Plug (Part of crankshaft)	N. S.
C	Head - cylinder	26.8377	AB	Bolt (3/8-24 x 2-3/4)	N. S.
D	Ring - "O" (Cylinder head)	26.8446	AC	Washer (3/8)	20.0820
E	Spring - cylinder head	26.8505	AD	Strainer	26.8515
F	Valve - discharge (In cylinder)	26.8525	AE	Washer (1/4)	20.0820
G	Nut (5/16-24 hex.)(442798)	20.0430	AF	Bolt (1/4-28 x 5/8)	20.0050
H	Cage	26.8314	AG	Valve - relief	26.8525
I	Spring - discharge valve	26.8505	AH	Fitting	26.8337
J	Bolt - discharge valve	26.8311	AI	Valve - oil check	26.8525
K	Ring Set	26.8461	AJ	Line - oil discharge	26.8395
L	Rod	26.8463	AK	Drive	26.8333
M	Ring - retaining	26.8448	AL	Elbow - oil pump discharge	26.8335
N	Pin (Part of piston)	N. S.	AM	Pump	26.8443
O	Piston	26.8437	AN	Bracket	26.8312
P	Ring - "O" (Cylinder liner)	26.8446	AO	Elbow - oil pump suction	26.8335
Q	Plate - suction valve	26.8438	AP	Washer (1/4)	20.0820
R	Ring - retaining (Suction valve plate)	26.8457	AQ	Bolt (5/16-24 x 3/4)	20.0050
S	Valve - suction (In cylinder)	26.8525	AR	Bolt (1/4-28 x 5/8 hex. hd.)	20.0050
T	Liner	26.8397	AS	Washer (1/4)	20.0820
U	Housing	26.8378	AT	Bolt (7/16-14 x 1-1/4)	20.0050
V	Breaker	26.8313	AU	Washer (7/16)	20.0795
W	Plate	26.8438	AV	Cover - hand hole	26.8320
X	Washer (1/4)	20.0820	AW	Ring - "O" (Hand hole cover)	26.8446
Y	Bolt (1/4"-28 x 5/8")	20.0050	AX	Seat - discharge valve	26.8490



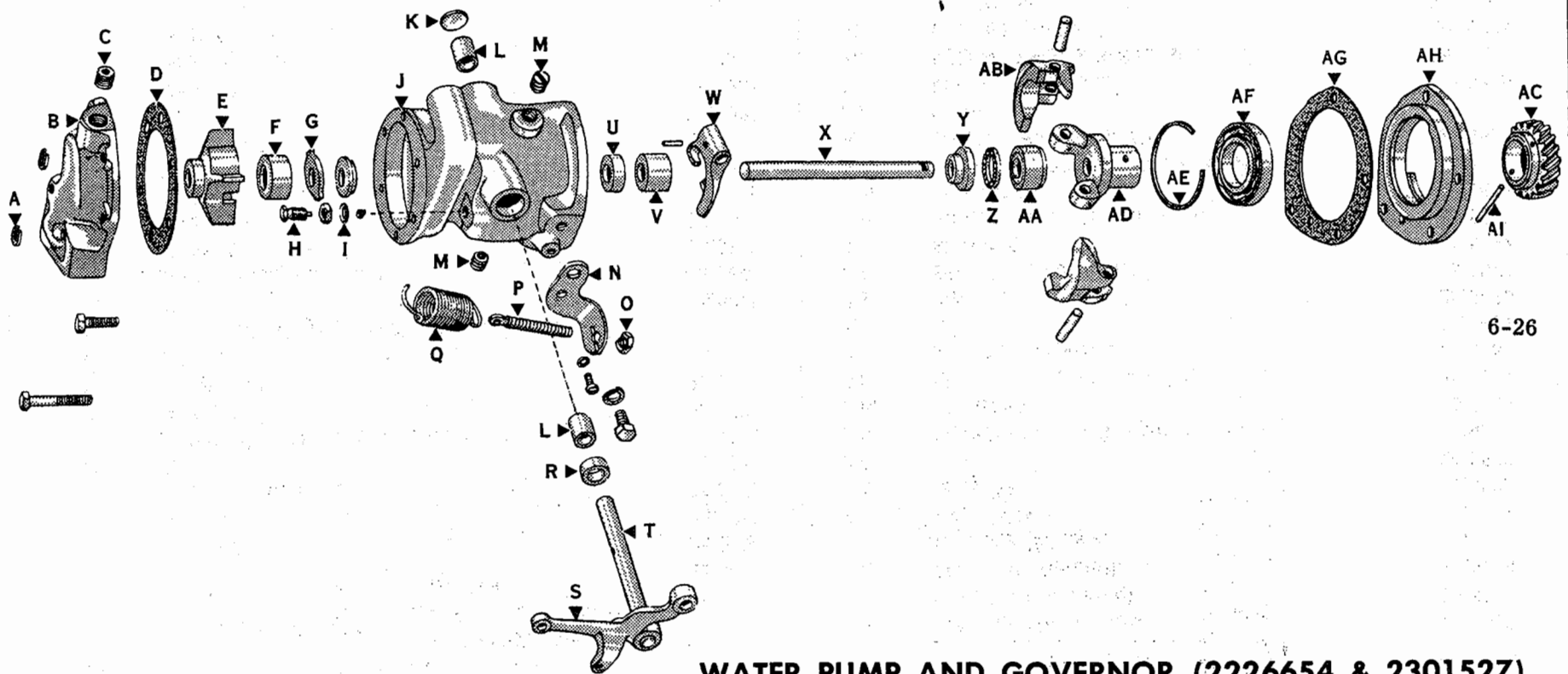
MAGNETO (2356754)

KEY TO MAGNETO (2356754)

(W/Continental Engine)

Key	Description	Group No.	Key	Description	Group No.
A	SCREW (#8-32 x 1/2 fil. sltd. hd.)	Pro. Loc.	AE	WASHER (#8 ext. lock)	20.0810
B	COVER	26.5755	AF	WASHER (insulating)	26.5907
C	ROD - distributor high tension	26.5855	AG	BUSHING (insulating)	26.5728
D	GASKET	26.5790	AH	WASHER (#8 lock)	NS
E	ROTOR - distributor	26.5760	AJ	INSULATOR	26.5712
F	SEAL - distributor shaft	26.5875	AK	WASHER	26.5902
G	CAP	26.5740	AL	WIRE	26.5930
H	SCREW (#10-24 x 7/8 fil. sltd. hd.)	NS	AM	SCREW (#8-32 x 3/4 pan hd. sltd.)	NS
J	GASKET	26.5775	AN	BEARING	26.5725
K	CONDENSER	26.5750	AP	RING - snap, rotor bearing	26.5845
L	COIL	26.5745	AQ	ROTOR - magnetic	26.5860
M	PIN - coil bridge (1/4-20 x 7/8 sltd. hdl.)	NS	AR	KEY	26.5815
N	PIN	26.5825	AS	PIN	26.5830
P	RING - snap, rotor shaft	26.5845	AT	SEAL (distributor shaft)	26.5875
Q	WASHER - inner	26.5910	AU	BEARING	26.5727
R	SEAL - rotor shaft	26.5875	AV	RING - snap, distributor shaft	26.5845
S	WASHER - outer	26.5915	AW	SUPPORT	26.5895
T	DISC	26.5760	AX	SCREW (#8-32 x 3/8 flat sltd. hd.)	NS
U	COUPLING	26.5753	AY	SHAFT - distributor W/gear	26.5880
V	NUT	26.5820	AZ	GEAR	26.5795
W	WASHER	26.5905	BA	RING - snap, rotor gear	26.5845
X	SHELL (part of U)	NS	BB	SCREW (#6-32 x 3/8 rd. sltd. hd.)	Pro. Loc.
Y	SPRING (part of U)	NS	BC	WASHER (#6 lock)	20.0820
Z	HUB (part of U)	NS	BD	SCREW (#8-32 x 3/8 rd. sltd. hd.)	Pro. Loc.
AA	SCREEN	26.5870	BE	WASHER (#8 lock)	20.0820
AB	COVER	26.5757	BF	WASHER	26.5900
AC	SCREW (#6-32 x 3/8 pan hd.)	NS	BG	RING - snap, fulcrum	26.5840
AD	NUT (#8-32)	20.0440	BH	HOLDER	26.5797

322



WATER PUMP AND GOVERNOR (2226654 & 2301527)

(W/Waukesha Engine) — (Typical)

AIR CONDITIONING

6-26

KEY TO WATER PUMP AND GOVERNOR (2226654 & 2301527)
(W/Waukesha Engine)—(Typical)

Key	Description	Group No.
A	WASHER - Cover bolt (17/16" I.D. x 3/8" O.D. Copper)	26.5165
B	COVER - body	26.4910
C	PLUG - body cover	26.5030
D	GASKET - body cover	26.4930
E	IMPELLER	26.4960
F	SEAL	26.5100
G	WASHER - thrust (29/64" I.D. x 1-1/16" O.D. W/2 lips x 11/32" wide)	26.5165
H	SCREW - engine governor, bumper. (5/16-24 x 3/4 overall lgth.)	26.5070
I	WASHER - governor bumper screw (21/64" I.D. x -1/2 O.D. Copper)	26.5165
J	BODY	26.4865
K	PLUG - expansion (3/4" dia.)	26.5035
L	BEARING - governor lever shaft	26.4850
M	PLUG (1/8-27 sl. balls)	26.5035
N	BRACKET - engine governor spring - Part of #2226654 pump)	26.4880
O	NUT - governor adj. screw (Part of #2226654 pump) (1/4-20 hex)	26.4990
P	SCREW - governor, adjusting (Part of #2226654 pump) (1/4"-20 x 2-1/4")	26.5070
Q	SPRING - governor (Part of #2226654 pump)	26.5135
R	SEAL - governor lever shaft	26.5095
S	LEVER - governor	26.4980
T	SHAFT - governor lever	26.5110
U	SEAL - drive shaft	26.5095
V	BUSHING - shaft	26.4890
W	SHIFTER	26.5120
X	SHAFT - drive	26.5115
Y	SLEEVE - flange type	26.5125
Z	BEARING - thrust	26.4855
AA	SLEEVE - Plain type	26.5125
AB	WEIGHT	26.5170
AC	GEAR - driven	26.4950
AD	CARRIER - (Incl. AB & AC)	26.4895
AE	RING - snap	26.5055
AF	BEARING - weight carrier	26.4855
AG	GASKET - pump and governor to engine	26.4935
AH	RETAINER - weight bearing	26.5045
AI	PIN - to carrier	26.5010

AIR CONDITIONING COMPARTMENT

26.2615	AR	R 35168	ANGLE-air conditioning compartment longitudinal bulkhead-top 72-21/32 in. long req'd. SBF.
26.2625	1	2304240	ANGLE-blower compartment-seal. Lower.
26.2625	AR	R 33347	ANGLE-blower compartment-guide. Front. 2 ft. reqd.
26.2625	AR	R 33347	ANGLE-blower compartment-guide. Rear 3 ft. reqd.
26.2625	AR	R 32667	ANGLE-blower compartment-center door, upper 1 ft. reqd.
26.2630	AR	R 32753	ANGLE-blower compartment floor panel-support RH. 5 ft. req'd.
26.2645	14	2298391	BOLT-eye, air conditioning screen to bulkhead.
26.2650	11	2095357	BOLT-floor board-to reinforcement & tee 5/16-24 x 1-3/8 cross recess for #4 driver.
26.2665	AR	R 35518	BRACE-air conditioning compartment longitudinal bulkhead-diagonal 4 ft. reqd'. SBF. Repl. 2295842.
26.2675	1	2295838	BULKHEAD-air conditioning compartment-longitudinal.
26.2700	1	2295255	COVER-air conditioning compressor-at bulkhead.
26.2703	1	2388109	DECAL-air conditioning instruction-4 x 10. Letters block, background silver scatchlite.
26.2725	AR	R 35149	FELT- air conditioning compressor hole cover-adhesive. 39 in. reqd.
26.2735	2	2304248	FLANGE-blower compartment floor panel drain.
26.2760	1	2100524	GROMMET-blower compartment-center door seal backing plate. 1-1/32 ID x 1-9/16 OD 1-11/32 dia. groove, rubber.
26.2765	1	2295847	GUSSET-air conditioning compartment longitudinal bulkhead-lower front 3-5/8 x 4-5/8.
26.2765	1	2295845	GUSSET-air conditioning compartment longitudinal bulkhead-lower center 2-5/8 x 5-1/4.
26.2765	1	2296236	GUSSET-air conditioning compartment longitudinal bulkhead-lower rear 5-1/2 x 5-1/2.
26.2765	1	2303075	GUSSET-air conditioning compartment longitudinal bulkhead-lower 6-1/4 x 9-13/16.
26.2770	1	2296264	GUSSET-air conditioning fan & shroud support to bulkhead-3 x 3-1/4.
26.2770	1	2296265	GUSSET-air conditioning fan & shroud support to bulkhead-4-1/2 x 5.
26.2780	1	2303978	HINGE-blower compartment door-front.
26.2780	1	2305232	HINGE-blower compartment door-rear.
26.2810	1	2304305	PANEL-blower compartment-upper. Floor welded.
26.2810	1	2296267	PANEL-blower compartment-lower. Floor.
26.2815	1	2304338	PANEL-air conditioning compartment-upper closure.
26.2825	1	2304049	PLATE-blower compartment center door seal-backing.
26.2825	4	2305223	PLATE-blower compartment door lock-mounting.
26.2835	AR	R 35679	RAIL-blower compartment floor-RH. 4 ft. reqd. CTL. Repl. 2295878.
26.2845	AR	2224900	REINFORCEMENT-blower compartment floor panel-Z shaped. 6 ft. long. CTL. Rivet 5/16 x 5/8 mush-hd.
26.2850	1	2304048	RETAINER-blower compartment-rear door seal. Upper.
26.2850	1	2304605	RETAINER-blower compartment-rear door seal. Upper.
26.2850	1	2304222	RETAINER-blower compartment-door seal, upper.
26.2850	1	2304221	RETAINER-blower compartment-door seal. Vertical.
26.2855	1	2304221	RETAINER-air conditioning compartment-door hinge seal. Vertical.
26.2860	1	2304212	RETAINER-air conditioning compartment insulation-upper.
26.2865	10	2253498	RIVET-blower compartment-angle & upper floor to support angle.
26.2865	11	2299921	RIVET-blower compartment-angle seal to floor.
26.2865	7	2227417	RIVET-blower compartment-angle to upper floor-3/16 x .87.
26.2865	8	2299921	RIVET-blower compartment-upper floor to reinforcement.
26.2865	24	2227417	RIVET-blower compartment-upper floor to support & reinforcement.
26.2875	10	2244669	RIVNUT-air conditioning compressor cover to bulkhead screw.
26.2880	5	2242964	RIVNUT-blower compartment rear door hinge to bulkhead screw.
26.2885	1	2299320	SCREEN-air conditioning compartment-front.
26.2885	1	2299161	SCREEN-air conditioning compartment-rear.
26.2900	1	2304264	SEAL-air conditioning compartment door-vertical.
26.2905	1	2311603	SEAL-blower compartment angle-87 in. long, CTL.
26.2905	AR	2303986	SEAL-blower compartment door-47-11/32 in. long, CTL.
26.2915	14	2304268	SPACER-air conditioning compartment eye bolt-fibrous 11/32 ID x 1 in. OD x 1 in. OD x 11/32 thk.
26.2925	14	2304006	SPRING-air conditioning compartment eye bolt.
26.2940	1	2224896	TEE-air conditioning compartment longitudinal bulkhead-lower. 71 in. long-CTL. Repl. 2295840.

AIR CONDITIONING ENGINE COOLINGAIR CONDITIONING ENGINE RADIATOR
AND SURGE TANK

26.4700	1	2316960	RADIATOR-engine-bolt 5/16-24 x 3/4 hex.-hd. Use w/continental engine.
26.4700	1	2296782	RADIATOR-engine-bolt 5/16-24 x 3/4 hex.-hd. Use w/Waukesha engine.
26.4710	1	850512	KIT-engine radiator surge tank filler cap-consist of 1-850440 bail, 1-850441 handle and 1-850445 rivet. Used w/continental engine.
26.4715	1	2301240	ANGLE-surge tank filler neck splash shield-prior to chassis #1301.
26.4725	1	2248115	CAP-filler, engine radiator surge tank-used w/Waukesha engine.
26.4730	1	2321533	CAP-filler, engine radiator surge tank-incl. gasket, retainer, handle, bail, latch, spring, seat & Mtg. gasket. Use w/continental engine. Prior to chassis #1301.
26.4735	1	148344	COCK-engine radiator-shut-off. 1/4 x 1-7/8 type D.
26.4740	1	850443	GASKET-engine radiator surge tank filler cap-use w/continental engine. Prior to chassis #1301.
26.4745	1	2208174	GASKET-surge tank filler cap-Mtg. used w/continental engine.
26.4750	1	5153902	GASKET-surge tank outlet fitting-prior to chassis #1301. Repl. 061994.
26.4753	2	850422	GASKET-surge tank pressure valve-w/continental engine.
26.4755	1	2100525	GROMMET-surge tank outlet fitting-at bulkhead. Prior to chassis #1301.
26.4765	1	850746	LATCH-surge tank filler cap latch-used w/continental engine. Prior to chassis #1301.
26.4770	1	2119657	PLATE-engine radiator surge tank-end. Rivet 1/4x3/4 truss hd. Prior to chassis #1301.
26.4770	1	2119654	PLATE-engine radiator surge tank-tapping rivet 3/16 x 1/2 truss hd. Prior to chassis #1301.
26.4775	1	850442	RETAINER-engine radiator surge tank filler cap-used w/continental engine. Prior to chassis #1301, Repl. 850551.
26.4785	1	850481	SEAT-surge tank filler cap handle-used w/continental engine. Prior to chassis #1301.
26.4790	1	2298398	SHIELD-splash, surge filler neck-screw #10-32 x 3/8, #10-32 x 1/2 pan hd. Prior to chassis #1301.
26.4795	2	2305300	SPACER-engine radiator support-bolt 5/16-24 x 1-1/8 hex. hd.
26.4800	1	850746	SPRING-surge tank filler cap latch-used w/continental engine. Prior to chassis #1301.
26.4805	2	2304311	STRAP-engine radiator-support. Bolt 5/16-24 x 7/8 hex. hd.
26.4810	4	2243233	STUD-surge tank filler cap flange-1/4-20-20 x 15/16. Used w/continental engine. Prior to chassis #1301.
26.4815	1	R 32870	SUPPORT-engine radiator-4 ft. req'd. SBF.
26.4820	1	2320170	TANK-surge, engine radiator-incl. tapping and end plate. Used w/continental engine prior to chassis #1301.
26.4820	1	2301232	TANK-surge, engine radiator-incl. tapping and end plate. Used w/Waukesha engine.
26.4825	1	2214105	THERMOSTAT-engine radiator-155 degrees to 175 degrees. Used w/Waukesha engine.
26.4825	1	563219	THERMOSTAT-engine radiator-152 degrees to 160 degrees. Date & #160 stpd. on back used w/continental engine.
26.4830	1	850792	VALVE-pressure, surge tank-used w/continental engine. Prior to chassis #1301.

AIR CONDITIONING ENGINE WATER PUMP
AND GOVERNOR

26.4840	1	2360349	PUMP-engine water-continental. Repl. 2323666.
26.4840	1	2310527	PUMP-engine water-w/governor. Part of #2300997 engine. Waukesha. Repl. 2226654.
26.4840	1	2310527	PUMP-engine water-w/governor. Part of #2310554 engine. Waukesha.

NOTE: See Group 26.61777 gasket set. For water pump seals.

26.4842	1	2381597	KIT-repair, engine water pump-consist of seal, impeller, drive shaft, bearing, body gasket, brg. retainer ring, snap ring retainer, bsg. set screw, support gasket. Continental.
26.4845	2	900028	BEARING-engine water pump-stpd. #2-97502-X1L continental. Repl. 954293. Stpd. #77502-X1C.
26.4845	2	2310529	BEARING-engine water pump-thrust, in body Waukesha.
26.4850	2	190861	BEARING-governor lever shaft-B-610. Waukesha.
26.4855	1	2100848	BEARING-governor-weight carrier. #105A Waukesha.
26.4855	1	2095470	BEARING-governor-thrust. Waukesha.
26.4860	1	2335481	BELT-water pump-continental. Repl. 2323768.
26.4865	1	2323824	BODY-engine water pump-continental.
26.4865	1	2226655	BODY-engine water pump & governor-incl. thrust bearing. Waukesha.
26.4870	2	180016	BOLT-fan belt adj. flange-to hub. Continental 1/4-20 x 1/2 hex. hd.
26.4875	2	2323756	BOLT-governor speed change lever-1/4-28 x 1-5/8 hex.-hd. Continental.
26.4875	1	2323755	BOLT-governor speed change lever-yoke end at carburetor. 5/16-24 x 21/32 hex.-hd. continental.

26.4875	1	2323755	BOLT-governor speed change lever-yoke end at carburetor. 5/16-24 x 21/32 hex.-hd. Continental.
26.4880	1	2095477	BRACKET-engine governor spring-part of 2226654 pump. Waukesha.
26.4885	1	2323831	BUSHING-engine water pump-continental.
26.4890	1	2095462	BUSHING-water pump & governor shaft-Waukesha.
26.4895	1	2134521	CARRIER-engine governor weight-incl. weights & bearing. Waukesha.
26.4900	1	2323765	COLLAR-fan drive pulley-expander. Continental.
26.4905	1	2323714	COVER-engine water inlet-hole. Continental.
26.4910	1	2226658	COVER-water pump body-Waukesha.
26.4915	1	2323838	FLANGE-fan belt-adj. to hub. Continental.
26.4920	1	2323715	GASKET-engine water inlet hole cover. Continental.
26.4925	1	2095459	GASKET-governor bearing retainer-Waukesha.
26.4930	1	2095465	GASKET-water pump body cover-Waukesha.
26.4935	1	2323759	GASKET-water pump to crankcase-continental.
26.4940	1	2095459	GASKET-water pump & governor-to engine Waukesha.
26.4945	1	2323835	GASKET-water pump support-to body Continental.
26.4950	1	2095456	GEAR-water pump & governor-driven. Waukesha.
26.4955	1	2323836	HUB-fan-to pump drive shaft. Continental.
26.4960	1	2323826	IMPELLER-engine water pump-Continental.
26.4960	1	2095468	IMPELLER-water pump-Waukesha.
26.4965	1	109413	JOINT-ball, governor & carburetor control rod #10-32 w/Adj. end plug. Waukesha.
26.4970	1	2323767	KEY-fan drive pulley-to camshaft. .299 x .25 x 2-1/2. Continental.
26.4975	1	103905	KEY-fan hub to water pump shaft-1/8 x 5/8 Woodruff. Continental.
26.4980	1	2191708	LEVER-governor-part of 2226654 pump. Waukesha.
26.4980	1	2304694	LEVER-governor-part of 2310527 pump. Waukesha.
26.4985	2	2323840	LOCK-fan belt adj. flange bolt nut-Continental.
26.4990	1	2100852	NUT-engine governor-adj. screw 1/4-20 hex. Part of #2226654 pump. Waukesha.
26.4995	1	124929	NUT-fan hub to drive shaft-7/16-20 hex. hd. Continental.
26.5000	1	2323758	NUT-governor speed change lever to gear cover stud-5/16-24 hex. hd. W/one 3/32 slot. Continental.
26.5005	3	2323834	NUT-water pump support stud-Continental.
26.5010	1	2100853	PIN-water pump & governor driven gear-to carrier. Waukesha.
26.5015	2	2323841	PLUG-engine water pump-Continental.
26.5020	1	2127638	PLUG-hole, idler spindle-Waukesha.
26.5025	2	2323766	PLUG-keyway, fan drive pulley-9/32 x 1/2 rubber. Continental.
26.5030	1	2226661	PLUG-water pump body cover-Waukesha.
26.5035	2	118831	PLUG-water pump & governor body-1/8-27 SL Hdsl. Waukesha.
26.5035	1	103892	PLUG-water pump & governor body-expansion 3/4 dia. Waukesha.
26.5040	1	2323762	PULLEY-fan drive-on crankshaft. Continental prior to chassis #1301.
26.5040	1	2335480	PULLEY-fan drive-on Crankshaft. Continental eff w/chassis #1301.
26.5045	1	2095458	RETAINER-engine governor weight bearing-Waukesha.
26.5050	1	2323830	RETAINER-water pump bearing snap ring-Continental.
26.5055	1	2095460	RING-snap, governor bearing-Waukesha.
26.5060	1	2323829	RING-snap, water pump bearing-Continental.
26.5065	1	2226683	ROD-engine governor control-also carburetor control. Waukesha.
26.5070	1	2160702	SCREW-engine governor-bumper. 5/16-24 x 3/4 overall lgth. Waukesha.
26.5070	1	2134522	SCREW-engine governor-1/4-20 x2-1/4 adj. Part of #2226654 pump. Waukesha.
26.5075	1	2323763	SCREW-retainer, fan drive pulley-5/8-18 x 1-1/2 hex. hd. W/two 1/4-28 holes Continental.
26.5080	1	2323837	SCREW-retaining, water pump bearing-set 1/4-20 x 3/8 hdls. Continental.
26.5085	1	2323832	SCREW-set, water pump impeller-to shaft 1/4-20 x 20 x 7/8 dog point. Continental.
26.5090	1	2323823	SEAL-engine water pump-Continental.
26.5095	1	2226657	SEAL-oil, water pump & governor-governor lever shaft. Waukesha.
26.5095	1	2095463	SEAL-oil, water pump & governor-drive shaft Waukesha.
26.5100	1	2095473	SEAL-water pump-Waukesha.
26.5105	1	2323827	SHAFT-engine water pump-drive. Continental.
26.5110	1	2226656	SHAFT-governor lever-Waukesha.
26.5115	1	2095467	SHAFT-water pump & governor-drive. Waukesha.
26.5120	1	2095461	SHIFTER-governor lever-Waukesha.
26.5125	1	2359879	SLEEVE-governor thrust bearing-flange type-Waukesha.
26.5125	1	2095469	SLEEVE-governor thrust bearing-plain type-Waukesha.
26.5130	1	2323828	SPACER-engine water pump bearing-Continental.
26.5135	1	2095478	SPRING-engine governor-part of #2226654 pump-Waukesha.
26.5140	1	2323760	STUD-water pump body - to cylinder head 3/8-16 x 1-3/4. Continental.
26.5140	1	2323761	STUD-water pump body-to cylinder head 3/8-16 x 2-1/2. Continental.
26.5145	3	2323833	STUD-water pump support-to body. Continental.
26.5150	1	2381093	SUPPORT-engine water pump drive-incl. bshg. Continental. Repl. 2323825.

26.5155	1	2323764	WASHER-fan drive pulley-expanding 1 in. ID x 1.987 OD. Continental.
26.5160	AR	2323705	WASHER-governor speed change lever to gear cover-21/64 ID x 5/8 OD. Continental.
26.5165	1	2226659	WASHER-water pump-cover bolt. 17/64 ID X 3/8 OD copper. Waukesha.
26.5165	1	2226660	WASHER-water pump-governor bumper screw 21/64 ID x 1/2 OD copper. Waukesha.
26.5165	1	2095472	WASHER-water pump-thrust. 29/64 ID x 1-1/16 OD w/2 lips 11/32 in. wide. Waukesha.
26.5170	2	2125207	WEIGHT-engine governor-Waukesha.

NOTE: See Group 26.8050 for Governor used w/Continental Engine.

AIR CONDITIONING WATER LINES,
HOSES AND FITTINGS

26.5190	1	119922	BUSHING-vent hose-pump to surge tank. 1/4 x 1/8 reducing. Used w/Continental engine prior to chassis.
26.5190	1	119922	BUSHING-vent hose-engine water pump. To tee 1/4 x 1/8. Eff w/chassis #1301 thru 1565.
26.5195	1	694251	BUSHING-water line-surge tank to bulkhead used w/Continental engine.
26.5200	AR	178310	CLAMP-hose -1-3/8 dia. Used w/continental engine.
26.5200	AR	178319	CLAMP-hose-2-1/32 dia.
26.5205	3	120872	CLIP-vent hose-pump to surge tank. .540 dia. w/13/64 dia. bolt hole. Open type, screw #10-32 x 3/4 pan hd. Use w/Continental engine. Prior to chassis #1301.
26.5205	-1	120525	CLIP-vent hose-engine head. Eff w/1566.
26.5205	1	2074950	CLIP-vent hose-engine head. Eff w/chassis #1301 thru 1565.
26.5210	1	N.P.N.	CLIP-water line-radiator to surge tank 1-5/16 x 5/16 bolt closed. Used w/Waukesha engine. Proc. Loc.
26.5215	1	103647	COCK-water or vent line drain-engine head vent hose. 1/4 x 1-1/16. Eff w/chassis #1301.
26.5218	1	2023342	CONNECTOR-water or vent line-vent line to heater pipe. Eff w/chassis #1301 thru 1565.
26.5218	1	118748	CONNECTOR-line to heater pipe. Eff w/chassis 1566.
26.5218	1	118750	CONNECTOR-water or vent line-engine water pump vent hose. 1/4-18, 5/8-18, 3/8 in line Fl, 1-7/16 in. long. Eff w/chassis #1301.
26.5220	1	2127635	COUPLING-water-engine inlet. 1-5/8 long steel. Waukesha.
26.5225	1	118753	ELBOW-vent hose-pump to surge tank 1/4 x 1/8 fl. Used w/Continental engine Prior to Chassis #1301.
26.5225	1	302722	ELBOW-vent hose-drop. Engine head. Eff w/chassis #1301.
26.5225	1	118755	ELBOW-vent hose-engine water pump. 1/8-27, 5/8-18, 3/8 Line, 90 degrees FL Brass eff w/chassis #1301.
26.5225	1	118753	ELBOW-vent hose-engine water pump. 1/4-27, 7/16-20, 1/4 line, 90 degrees FL Brass eff w/chassis #1301.
26.5230	1	137423	ELBOW-water line-overflow line to surge tank 3/8-18 x 1/4 pipe thd. 90 degrees inv. fl. prior to chassis #1301.
26.5235	1	2301926	FITTING-surge tank-outlet. Prior to chassis #1301.
26.5240	1	2319541	FITTING-water line-engine outlet. Bolt 5/16-18 x 1 hex. hd. Used w/Continental engine. Prior to chassis #1301.
26.5240	1	2298422	FITTING-water line-engine outlet. Bolt 5/16-18 x 3/4. Used w/Waukesha engine.
26.5240	1	2331054	FITTING-water line-engine outlet. Bolt 5/16-18 x 1 hex. hd. Eff w/chassis #1301.
26.5240	1	2314062	FITTING-vent hose-engine head. Eff w/chassis 1301.
26.5240	1	2315403	FITTING-vent hose-engine head. Eff w/chassis #1301.
26.5245	1	2094354	GASKET-water pump inlet line-used w/Waukesha engine.
26.5250	1	2319548	GASKET-engine water outlet fitting-used w/continental engine.
26.5250	2	2094356	GASKET-engine water outlet fitting-used w/Waukesha engine.
26.5253	1	2100524	GROMMET-water pipe or line-supply pipe. 1-1/32 ID x 1-9/16 OD. 1-11/32 dia. Groove rubber. Eff w/Chassis #1301.
26.5253	2	117957	GROMMET-water pipe or line-supply pipe vent line. 1/4 ID x 15/32 OD. Rubber, cut eff w/chassis #1301.
26.5255	1	2095483	HOSE-engine water inlet coupling-7/8 ID x 1-3/16 OD. Split rubber. Waukesha.
26.5260	1	R 33114	HOSE-radiator-1 ID. SBF.
26.5260	1	2335077	HOSE-radiator to heater line-5-1/4 Repl. 2334219.
26.5260	2	2320191	HOSE-radiator-to engine. 6 in long, CTL used w/continental engine.
26.5260	1	2318935	HOSE-radiator-upper. To engine. 16-5/16 in. long bent at 90 degrees angle. Used w/Continental engine.

26.5265	1	2320246	HOSE-vent-water pump to surge tank-33-21/32 in. long. Used w/Continental engine prior to chassis #1301.
26.5265	1	2320245	HOSE-vent-engine head to surge tank. 23-7/32 long. Used w/Continental engine prior to chassis #1301.
26.5265	1	2364409	HOSE-vent-engine water pump. Eff w/chasis #1301.
26.5265	1	2331112	HOSE-vent-engine head. Eff w/chassis #1301 thru 1565.
26.5265	1	2297962	HOSE-vent-engine head. Eff w/1566.
26.5269	AR	2224976	LINE-vent-supply pipe. 1/4 OD 19 in. req'd. SBF. Eff w/chassis #1301. Repl. R-31092.
26.5270	AR	R 31096	LINE-water-bulkhead to surge tank-3/8 OD SBF. Used w/Continental engine.
26.5270	1	2305234	LINE-water-engine to radiator. Used w/Waukesha engine.
26.5270	1	2318875	LINE-water-lower, engine to radiator. Used w/Continental engine.
26.5270	1	2224976	LINE-water-pump to engine water outlet 1/4 OD SBF. Used w/Continental engine Repl. R-31092.
26.5270	1	2305235	LINE-water-radiator to surge tank. Used w/Waukesha Engine.
26.5270	1	2318879	LINE-water-radiator to surge tank. Used w/Continental engine. Prior to chassis #1301.
26.5270	AR	2224979	LINE-water-surge tank overflow. 3/8 OD SBF prior to chassis #1301 Repl. R-31096.
26.5270	1	2220066	LINE-water-water pump inlet, upper. Waukesha.
26.5275	AR	2224551	LOOM-water pipe-1 ID 25 ft. roll. CTL.
26.5280	2	118537	NUT-water line-1/4 fl. brass. Used w/Continental Engine.
26.5280	AR	142433	NUT-water line-3/8-18 Inv. Fl.
26.5280	1	114627	NUT-water line-vent line. 1/4-24 Ball sleeve type.
26.5280	1	118537	NUT-water line-1/4 fl. brass. eff w/chassis #1566.
26.5283	1	2330299	PIPE-water-supply. Valve to radiator eff w/chassis #1301.
26.5283	1	2330300	PIPE-water-supply. Valve to heater eff w/chassis #1301.
26.5285	1	2228368	RIVNUT-clip screw-engine head vent hose eff w/chassis #1301.
26.5285	3	2228368	RIVNUT-clip screw-engine to surge tank hose prior to chassis #1301.
26.5285	2	2243272	RIVNUT-clip screw-engine head vent hose elbow to panel screw. Eff w/chassis #1301.
26.5285	1	2243272	RIVNUT-clip screw-surge tank pipe hose to bulkhead. Prior to chassis #1301.
26.5290	1	2243272	RIVNUT-water line clip screw-to bulkhead prior to chassis #1301.
26.5293	1	114628	SLEEVE-water or vent line-vent line 1/4 ball type.
26.5295	1	2219754	SPACER-engine water outlet fitting-use w/waukesha engine.
26.5300	2	2323769	STUD-engine water outlet elbow-to head 5/16-18 x 1-3/8. Continental. Prior to chassis #1301.
26.5305	2	2219999	STUD-engine water outlet fitting-5/16-18-24 x 1-5/8. Used w/Waukesha engine.
26.5310	1	5184972	TEE-water pipe or line-supply pipe to heater eff w/chassis #1301.
26.5320	1	2330589	VALVE-water-shut-off. Global type Eff w/chassis #1301.

AIR CONDITIONING ELECTRICAL

AIR CONDITIONING ENGINE STARTING MOTOR

26.5330	1	1108557	MOTOR-starting, engine-incl. magnetic switch 12 volts. Used w/Waukesha engine.
26.5330	1	1107630	MOTOR-starting, engine-incl. magnetic switch 12 volts. Used w/Continental engine.

NOTE: Refer to switch Group 26.6020 for starter magnetic switch.

26.5335	1	1881314	ARMATURE-starting motor-part of 1108557 motor.
26.5335	1	1929792	ARMATURE-starting motor-part of 1107630 motor.
26.5340	1	817114	BAND-starting motor cover-part of 1108557 motor.
26.5340	4	828448	BRUSH-starting motor-part of 1108557 motor.
26.5345	2	809053	BOLT-starting motor-thru. 1/4-20 x 6-5/16 hex. hd. part of 1108557 motor.
26.5345	2	1926625	BOLT-starting motor-thru. 1/4-20 x 5.90 hex. hd. part of 1107630 motor.
26.5350	4	1906945	BRUSH-starting motor-part of 1107630 motor.
26.5355	1	1867610	BUSHING-starting motor-C.E. Part of 1108557 motor.
26.5355	1	1872678	BUSHING-starting motor-D.E. at hsg. part of 1108557 motor.
26.5355	2	037535	BUSHING-starting motor-D.E., C.E. at hsg. Part of 1107630 motor.
26.5360	1	1838670	BUSHING-starting motor center bearing-part of 1108557 motor.
26.5360	1	820148	BUSHING-starting motor center bearing-part of 1107630 motor.
26.5365	1	1932696	COIL-starting motor-field. 3 coils welded part of 1107630 motor.
26.5365	1	1932743	COIL-starting motor-field shunt. Part of 1107630 motor.
26.5365	1	1881430	COIL-starting motor-lower half. 2 coils part of 1108557 motor.
26.5365	1	1881429	COIL-starting motor-upper half. 2 coils part of 1108557 motor.
26.5367	1	1927849	COLLAR-starting motor pinion stop.

26.5370	1	1880642	CUP-oil, starting motor-C.E. Part of 1108557 motor.
26.5370	1	1880642	CUP-oil, starting motor-D.E. Part of 1108557 motor.
26.5370	1	1868788	CUP-oil, starting motor-D.E. Part of 1108557 motor.
26.5375	1	1881317	DRIVE-starting motor-part of 1108557 motor.
26.5375	1	1925079	DRIVE-starting motor-part of 1107630 motor.
26.5380	1	1881319	FRAME-starting motor-C.E. Incl. hinge & stop Pins. Part of 1108557 motor.
26.5380	1	1926606	FRAME-starting motor-C.E. Incl. bushing part of 1107630.
26.5385	1	1929926	GROMMET-starting motor-in field frame. Part of 1107630 motor.
26.5390	4	810226	HOLDER-starting motor brush-part of 1108557 motor.
26.5390	2	1926617	HOLDER-starting motor brush-ground. Part of 1107630.
26.5390	2	1926618	HOLDER-starting motor brush-insulated. Part of 1107630.
26.5395	1	1881316	HOUSING-starting motor-D.E. Part of 1108557 motor.
26.5395	1	1929789	HOUSING-starting motor-D.E. Incl. bushing part of 1107630 motor.
26.5400	4	1927853	INSULATOR-starting motor-shunt coil. Part of 1107630 motor.
26.5405	2	813554	LEAD-starting motor-brush ground. Part of 1108557 motor.
26.5405	2	1926605	LEAD-starting motor-brush ground. Part of 1108557 motor.
26.5405	1	1929901	LEAD-starting motor-connector, brush to field part of 1108557 motor.
26.5405	1	811450	LEAD-starting motor-brush to field. Part of 1108557 motor.
26.5410	1	809062	PIN-dowel, starting motor-C.E. Part of 1108557 motor.
26.5410	1	809593	PIN-dowel, starting motor-D.E. Part of 1108557 & 1107630 motor.
26.5415	2	817313	PIN-hinge, brush holder-1-29/64 in. long. Part of 1108557 motor.
26.5415	2	812016	PIN-hinge, brush holder-w/bakelite. 1.440 in. long. Part of 1108557 motor.
26.5420	4	1926600	PIN-starting motor brush-1-1/32 in. long part of 1107630 motor.
26.5425	2	812015	PIN-stop, brush holder-w/bakelite. 61/64 in. long. Part of 1108557 motor.
26.5425	2	817314	PIN-stop, brush holder-63/64 in. long. Part of 1108557 motor.
26.5430	1	1888346	PINION-starting motor drive-part of 1108557 motor.
26.5435	1	820149	PLATE-starting motor center bearing-incl. bushing. Part of 1108557 motor.
26.5435	1	1838667	PLATE-starting motor center bearing-incl. bushing. Part of 1108557 motor.
26.5440	2	1916461	PLATE-starting motor drive spring-part of 1108557 motor.
26.5445	1	103892	PLUG-starting motor-C.E. end. 3/4 dia. plain steel. Expansion. Part of 1108557 motor.
26.5450	1	1859033	RING-snap, starting motor drive-part of 1108557 motor.
26.5453	1	1878418	RING-starting motor-lock, center bearing. Part of 1108557 motor.
26.5455	1	1878419	SCREW-pilot, starting motor drive shaft-5/16-24 x 29/64. Part of 1108557 motor.
26.5460	4	1926648	SCREW-starting motor-attaching, brush .1640-32 x .62. Part of 1107630 motor.
26.5460	2	1883404	SCREW-starting motor-attaching center bearing. .1900-32 x 7/16 rd. sltd. hd. Part of 1108557 motor.
26.5460	4	1881869	SCREW-starting motor-pole shoe. 3/8-24 x 38/64. Part of 1108557 motor.
26.5460	4	1843646	SCREW-starting motor-pole shoe. 3/8-24 x .179. Part of 1107630 motor.
26.5460	1	159572	SCREW-starting motor-attaching field lead. Part of 1107630 motor repl. 1929443.
26.5465	1	1902342	SHAFT-starting motor drive-part of 1108557 motor.
26.5475	1	1878421	SPRING-starting motor drive-drive. Part of 1108557 motor.
26.5475	1	1848528	SPRING-starting motor drive-mesh. Part of 1108557 motor.
26.5480	1	1881483	SPRING-starting motor-anti drift. Part of 1108557 motor.
26.5485	4	813521	SPRING-starting motor brush-part of 1108557 motor.
26.5485	2	1926622	SPRING-starting motor brush-part of 1107630 motor.
26.5490	4	810601	SHOE-pole, starting motor-part of 1108557 motor.
26.5490	4	1926616	SHOE-pole, starting motor-part of 1107630 motor.
26.5495	3	060129	STUD-starting motor to engine-mtg. used w/1107630 motor. Thru chassis #1565.
26.5495	3	272726	STUD-starting motor to engine-3/8-16 x 1-1/2 after chassis #1566.
26.5497	1	811601	STUD-terminal, starting motor-3/8-16 x 1-7/16. Part of 1108557 motor.
26.5500	1	1928015	SUPPORT- starting motor brush holder-incl. lead & holder pin. Screw #10-24 x .50. Part of 1107630 motor.
26.5505	2	1880781	WASHER-starting motor-center bearing screw .200 ID x .3875 OD. Lock. Part of 1108557. X1107630 motor.
26.5505	1		WASHER-starting motor-field lead to connector screw. .202 ID x .324 OD. lock Part of 1107630 motor. Procure locally.
26.5505	1	833602	WASHER-starting motor-spacer. C.E. .563 ID x 63/64 OD. Part of 1108557 motor.
26.5505	1	833602	WASHER-starting motor-spacer. D.E. .563 ID x 63/64 OD. Part of 1108557 motor.
26.5505	1	833602	WASHER-starting motor-thrust, C.E. .563 ID x 63/64 OD. Part of 1107630 motor.
26.5505	1	1853917	WASHER-starting motor-thrust, D. E. .564 ID x .786 OD. Part of 1107630 motor.

26.5510	2	1904669	WASHER-starting motor terminal stud-insulating. .388 ID x 9/16 OD. Part of 1108557 motor.
26.5510	2	1861076	WASHER-starting motor terminal stud-insulating. 25/64 ID x 3/4 OD. Part of 1108557 motor.
26.5510	1	805790	WASHER-starting motor terminal stud-.383 ID x 11/16 OD. Plain. Part of 1108557 motor.
26.5515	1	802691	WICK-oil, starting motor-C.E. Part of 1108557 motor.
26.5515	1	802697	WICK-oil, starting motor-D.E. Part of 1108557 motor.

AIR CONDITIONING ENGINE DISTRIBUTOR

26.5525	1	1111707	DISTRIBUTOR-engine-less arm, dial, gear & pin. Waukesha.
---------	---	---------	--

NOTE: See Magneto group for distributor parts used w/Continental engine.

26.5530	1	1855720	KIT-breaker, distributor-consist of 1-arm, 1-point and support. Waukesha.
26.5535	1	1914309	KIT-distributor housing cover-consist of 1-felt seal, 1-retainer, Waukesha.
26.5540	1	1867755	ARM-clamping, distributor-Waukesha.
26.5545	1	2100841	BUSHING-distributor-drive shaft, Waukesha.
26.5545	1	1909003	BUSHING-distributor-housing. Waukesha.
26.5545	1	2105867	BUSHING-distributor-wire clamp. Waukesha.
26.5547	1	1878405	BUSHING-distributor terminal stud-insulating inside, Waukesha.
26.5550	1	1938193	BUTTON-distributor cap-carbon, Waukesha.
26.5555	1	1909476	CAM-breaker, distributor-automatic. Waukesha.
26.5560	1	811735	CAP-distributor-incl. button. Waukesha.
26.5565	1	821865	COLLAR-distributor shaft-Waukesha.
26.5570	1	1900272	CONDENSER-distributor-Waukesha.
26.5575	1	1912381	COVER-distributor housing-incl. gasket & kit. Waukesha.
26.5580	1	815095	DIAL-distributor arm-Waukesha.
26.5585	1	1889966	GASKET-distributor housing cover-Waukesha.
26.5590	1	2095452	GEAR-distributor-Waukesha.
26.5595	1	1909001	HOUSING-distributor-incl. plug & bushing-Waukesha.
26.5600	1	817363	NUT-distributor terminal stud-inside & 8-32 hex. Waukesha.
26.5605	1	142486	PIN-distributor gear-1/8 x 3/4. Waukesha.
26.5610	1	1862218	PIN-distributor shaft collar-Waukesha. Repl. 813131.
26.5615	1	1847643	PLATE-breaker, distributor-Waukesha.
26.5620	1	1885557	PLATE-distributor weight-hold-down. Waukesha.
26.5625	1	118831	PLUG-distributor housing-1/8-27 sl. hdls.-Waukesha.
26.5630	1	1905590	ROTOR-distributor-Waukesha. Repl. 1883500.
26.5635	1	816784	SCREW-distributor-adj. .1640-32 x 5/32. Waukesha.
26.5640	1	1909478	SHAFT-distributor-w/weight plate welded. Waukesha.
26.5650	2	1889967	SPRING-distributor cap-Waukesha.
26.5655	2	1883498	SPRING-distributor weight-Waukesha.
26.5660	1	1847647	STUD-distributor-terminal. #8-32 x 1-21/64. Waukesha.
26.5665	1	1847289	SUPPORT-distributor cap spring-Waukesha.
26.5670	1	1889999	SUPPORT-distributor cap and spring-locator. Waukesha.
26.5675	2	1885558	WASHER-distributor hold down plate nut-lock .211 ID x .355 OD. W/3 lips.
26.5680	AR	810074	WASHER-distributor shaft-.005 in. thk. Waukesha.
26.5680	AR	810078	WASHER-distributor shaft-.010 in. thk. Waukesha.
26.5685	1	810794	WASHER-distributor terminal stud-inside .173 ID x 5/16 OD x 1/32 thk. Waukesha.
26.5685	1	1882247	WASHER-distributor terminal stud-insulating, outside. .170 ID x 9/16 OD x 1/16 in. thk. Waukesha.
26.5685	1	024754	WASHER-distributor terminal stud-plain steel .169 ID x 7/16 OD x .042 thk. Waukesha.
26.5685	1	1878405	WASHER-distributor terminal stud-insulating, inside. 7/16 in. wide, 9/16 in. long. w/.176 ID. Waukesha.
26.5690	1	811124	WASHER-distributor weight-.192 ID x 23/64 OD. Waukesha.
26.5693	1	811912	WASHER-distributor weight plate-spacer 33/64 ID x 7/8 OD plain. Waukesha.
26.5695	2	1880902	WEIGHT-distributor-Waukesha.
26.5700	1	816803	WICK-distributor breaker cam-Waukesha.

AIR CONDITIONING MAGNETO

26.5710	1	2356754	MAGNETO-engine-continental stpd. Z 4B16C. Repl. 2323667 Stpd. X4B16C.
---------	---	---------	---

26.5715	1	2323912	KIT-repair, magneto-consist of sufficient parts for magneto overhaul W/X4B16C.
26.5720	1	2323886	ARM-breaker, magneto-w/point & contact plate. Continental.
26.5725	1	907109	BEARING-magneto rotor-drive end. Stpd. #7109-X1C. Continental.
26.5727	1	2357037	BEARING-magneto rotor sleeve. Continental W/Z4B16C.
26.5728	1	2357040	BUSHING-magneto ground screw insulating. Continental. W/Z4B16C.
26.5730	1	2323883	BRUSH-magneto coil lead-w/spring. Continental.
26.5740	1	2323903	CAP-end, magneto-to housing, Continental.
26.5745	1	2323882	COIL-magneto W/X4516C.
26.5745	1	2357025	COIL-magneto. Continental W/Z4B16C.
26.5750	1	2323884	CONDENSER-magneto-continental W/X4B16C.
26.5750	1	2357026	CONDENSER-magneto. Continental. W/Z4B16C.
26.5753	1	2357032	COUPLING-impulse, magneto. Continental W/Z4B16C.
26.5755	1	2323910	COVER-magneto end cap-continental.
26.5757	2	2357029	COVER-magneto vent, continental. W/Z4B16C.
26.5760	1	2323895	DISC-magneto oil slinger baffle-continental.
26.5765	1	2323694	GASKET-distributor hole plug-continental.
26.5770	1	2323745	GASKET-magneto-to end plate. Continental.
26.5775	1	2323902	GASKET-magneto end cap-to housing. Continental.
26.5790	1	2323911	GASKET-magneto end cap cover-continental.
26.5795	1	2323899	GEAR-magneto magnetic rotor-continental.
26.5797	1	2357022	HOLDER-magneto cam wick. Incl. wick. Continental. W/24B16C.
26.5800	1	2323888	HOUSING-engine magneto-continental W/X4B16C.
26.5800	1	2357028	HOUSING-engine magneto. Continental W/Z4B16C.
26.5810	1	2323880	HUB-impulse magneto-continental W/X4B16C.
26.5810	1	2357024	HUB-impulse magneto-continental W/Z4B16C.
26.5812	1	2323915	INSULATOR-magneto ground switch wire screw.
26.5815	1	106749	KEY-magneto rotor shaft-to impulse coupling. 1/8 x 1/2 woodruff. Continental.
26.5817	1	2377750	LEAD-magneto-high tension.
26.5820	1	2323898	NUT-magneto impulse coupling-continental.
26.5825	1	2323896	PIN-stop, magneto impulse coupling pawl-continental.
26.5830	1	2323901	PIN-magneto magnetic rotor gear-continental.
26.5840	1	2323909	RING-snap, magneto breaker arm fulcrum pin-continental.
26.5845	1	2323904	RING-snap, magneto-distributor shaft. Continental.
26.5845	1	2323889	RING-snap, magneto-rotor bearing. Continental.
26.5845	1	2323900	RING-snap, magneto-rotor gear. Continental. W/X4B16C.
26.5845	1	2357035	RING-snap, magneto-rotor gear. Continental. W/Z4B16C.
26.5845	1	2323891	RING-snap, magneto-rotor shaft. Continental.
26.5850	1	2323692	PLUG-hole, distributor adapter stud-continental.
26.5855	1	2323907	ROD-magneto high tension lead-continental.
26.5860	1	2323906	ROTOR-magneto-distributor. Continental.
26.5860	1	2357023	ROTOR-magneto-magnetic continental. W/Z4B16C.
26.5860	1	2323879	ROTOR-magneto-magnetic. Continental W/X4816C.
26.5865	2	180118	SCREW-plugging, generator bracket stud hole-3/8-16 x 5/8 hex. hd. Continental.
26.5870	2	2357030	SCREEN-magneto vent cover continental. W/Z4B16C.
26.5875	1	2323905	SEAL-magneto-distributor shaft. Continental W/X4B16C.
26.5875	1	2357036	SEAL-magneto-distributor shaft. Continental. W/Z4B16C.
26.5875	1	2323894	SEAL-magneto-rotor shaft. Continental.
26.5880	1	2323885	SHAFT-distributor, magneto-w/gear. Continental.
26.5882	1	2357034	SHELL-magneto impulse coupling. Continental. W/Z4B16C.
26.5885	1	2323890	SHIM-magneto rotor bearing-.002 thk. Continental.
26.5887	1	2357031	SPRING-magneto impulse coupling pawl. Continental. W/Z4B16C.
26.5888	1	2357033	SPRING-magneto impulse coupling drive. Continental. W/Z4B16C.
26.5890	1	2323770	STUD-magneto & front end plate-to gear cover 3/8-16 x 1-7/16. Continental.
26.5895	1	2323881	SUPPORT-magneto rotor bearing-continental. W/X4B16C.
26.5895	1	2357038	SUPPORT-magneto rotor bearing. Continental. W/Z4B16C.
26.5897	1	2323892	WASHER-magneto grease retaining. 23/32 ID x 1-3/16 OD. Continental. W/Z4B16C.
26.5900	1	2323908	WASHER-magneto contact support locking plate-.167 ID x 3/8 OD. Continental.
26.5900	1	2323917	WASHER-magneto support contact locking screw. .145 ID x 11/32 OD x 1/32 thk.
26.5902	1	2323908	WASHER-magnet to ground switch inner. Continental. W/Z4B16C.
26.5905	1	2323897	WASHER-magneto impulse coupling nut-lock 37/64 ID W/3 lips & 2 inner notches. Continental.

26.5907	1	2357039	WASHER-magneto ground switch insulating, Continental. W/Z4B16C.
26.5910	1	2323892	WASHER-magneto rotor drive end-inner 23/32 ID x 1-3/16 OD. Continental.
26.5915	1	2323893	WASHER-magneto rotor drive end seal-outer 21/32 ID x 1-19/64 OD. Continental.
26.5920	2	2323693	WASHER-plugging screw-25/64 ID x 5/8 OD. Copper. Continental.
26.5930	1	2323887	WIRE-magneto primary ground switch.
26.5930	1	2357027	WIRE-magneto ground switch. W/Z4B16C.

AIR CONDITIONING ENGINE IGNITION COIL,
WIRING AND SPARK PLUGS

26.5945	1	2159991	BRACKET-support, distributor and spark plug cable-used w/Waukesha engine.
26.5950	1	2118743	BRACKET-support, engine coil-bolt 1/4-28 x 1/2 hex hd. used w/Waukesha engine.
26.5955	1	2226669	CABLE-ignition, distributor and spark plug-used w/Waukesha engine.
26.5960	1	2961758	CABLE-spark plug-#1 plug. Used w/Continental engine.
26.5960	1	2961759	CABLE-spark plug-#2 plug. Used w/Continental engine.
26.5960	1	2961760	CABLE-spark plug-#3 plug. Used w/Continental engine.
26.5960	1	2961761	CABLE-spark plug-#4 plug. Used w/Continental engine.
26.5965	1	120527	CLIP-spark plug cable-#10-5/8 dia. w/1/4 bolt hole. Used w/ Continental engine.
26.5965	1	125921	CLIP-spark plug cable-#10-5/8 dia. w/5/16 bolt hole. Used w/Continental engine.
26.5970	1	1115043	COIL-ignition-used w/Waukesha engine.
26.5975	1	1555476	GASKET-spark plug-used w/Continental engine.
26.5975	4	1555475	GASKET-spark plug-used w/Waukesha engine.
26.5980	2	2225101	GROMMET-ignition cable-1-1/8 in.x 1-7/8 in. Continental. Repl. 2323771.
26.5985	4	5612080	PLUG-spark-used w/Continental engine. Repl. 5569056, 1559467.
26.5985	4	1559429	PLUG-spark-used w/Waukesha engine.
26.5990	2	2323772	SUPPORT-ignition cable-Continental.
26.5995	1	5292678	WIRE-ignition coil-high tension. Used w/ Waukesha engine.

AIR CONDITIONING CONTROL SWITCHES & WIRING

26.6010	1	1508157	SWITCH-low oil pressure-used w/Continental engine.
26.6010	1	1509034	SWITCH-low oil pressure-used w/Waukesha engine. Repl. 1508032, 1508391.
26.6015	1	2297980	SWITCH-pressure cutout-high side
26.6020	1	2351703	SWITCH-starting motor-magnetic used w/Waukesha engine. Repl. 2257158.
26.6020	1	001496	SWITCH-starting motor-magnetic. Used w/ Continental engine.
26.6025	3	2330516	SWITCH-test-ignition, safety and air conditioning compartment lamp. Toggle type, 2 terminals.
26.6025	1	2362431	SWITCH-test-starter. Repl. 2330525.
26.6030	1	2301896	BAR-bus-starter magnetic switch to junction block.
26.6035	1	2299211	BLOCK-junction-air conditioning compartment.
26.6035	1	2278913	BLOCK-junction-starter.
26.6037	4	2248137	BOLT-switch-hi-lo pressure cutout.
26.6040	1	2305798	BRACKET-freon receiver tank lamp socket.
26.6045	1	2301862	BRACKET-switch-air conditioning compartment.
26.6050	1	2301861	BRACKET-test ignition switch striker.
26.6055	1	2301786	BREAKER-circuit-cooling blower.
26.6060	1	142454	BULB-lamp-air cond. comp. lamp. #93-15 CP-S.C.
26.6065	1	119922	BUSHING-reducing, oil pressure switch-1/4 x 1/8 pipe.
26.6070	1	5298588	CABLE-engine starting motor-prior to Chassis #1310.
26.6070	1	2964069	CABLE-engine starting motor. Eff. w/chassis #1310.
26.6075	1	2281862	CLIP-wiring harness-air conditioning. 5/8 in. wide, 1/4 opening, 13/32 bolt hole. Used w/Waukesha engine.
26.6075	3	2281755	CLIP-wiring harness-air conditioning. 1/2 in. wide, 3/8 opening, 9/32 bolt hole. Used w/Waukesha engine.
26.6075	1	2295142	CLIP-wiring harness-air conditioning starter cable. 1/2 wide, 13/64 bolt hole.

26.6075	2	2281754	CLIP-wiring harness-air conditioning. 1/2 in. wide, 1/4 opening, 9/32 bolt hole. Used w/ Waukesha engine.
26.6075	2	2292418	CLIP-wiring harness-air conditioning. 1/2 in. wide, 1-1/8 in. long w/7/32 bolt hole. Used w/Continental engine.
26.6075	3	2281860	CLIP-wiring harness-air conditioning engine-1/2 in. wide, 3/16 bolt hole. Used w/Continental engine.
26.6075	1	2317068	CLIP-wiring harness-air conditioning engine. 5/8 in. wide, 1-1/16 in. long w/15/32 bolt hole. Used w/Continental engine.
26.6080	1	2291196	CONNECTOR-hi & low pressure switch harness.
26.6085	1	5299050	HARNESS-wiring-air conditioning engine. Used w/Waukesha engine.
26.6085	1	2961671	HARNESS-wiring-air conditioning engine. Used w/Continental engine.
26.6090	AR	2224976	LINE-air-high side pressure cutout switch 1/4 OD SBF repl. R-31092.
26.6095	AR	2224545	LOOM-hi & low pressure switch wiring-3/8 ID, 25 ft. roll.
26.6100	1	192032	NIPPLE-low oil pressure switch-1/8 x 3/4 pipe.
26.6105	2	118537	NUT-air line-pressure cutout switch line. 1/4-20 x 15/16 fl.
26.6110	1	2301897	PLATE-switch-name, air conditioning compartment.
26.6115	2	1916529	SCREW-starting motor magnetic switch-attaching. 1/4-20 x .379 hex hd. used w/001946 switch.
26.6120	1	920354	SOCKET-lamp-air conditioning lamp.
26.6125	2	5286946	STRAP-air conditioning engine-ground.

AIR CONDITIONING RELAYS

26.6135	1	1116797	RELAY-fuel pump & ignition.
26.6140	1	1116845	RELAY-magneto to cutout-used w/ Continental engine.

AIR CONDITIONING ENGINE ALARMOSTAT

26.6150	1	2271187	ALARMOSTAT-engine.
26.6155	1	120322	BUSHING-reducing, engine alarmostat-1/2 x 3/8 brass. Used w/Continental engine.
26.6155	1	144038	BUSHING-reducing, engine alarmostat-1/2 x 1/4 M.I. used w/Continental engine.
26.6160	2	118750	CONNECTOR-engine alarmostat-3/8 x 1/4 fl. used w/Continental engine. 1 reqd. after chassis #1301.
26.6165	1	118755	ELBOW-engine alarmostat-1/8-27, 5/8-18, 3/8 line, 90 degrees fl. Eff. w/ chassis #1301.

AIR CONDITIONING ENGINEAIR CONDITIONING ENGINE ASSEMBLY

26.6175	1	2293456	ENGINE-air conditioning-incl. compressor w/name plate stpd. RD700-2 on flywheel. Waukesha.
26.6175	1	2310553	ENGINE-air conditioning-incl. compressor w/name plate stpd. RD700-3 on flywheel. Waukesha.

NOTE: The preceding 2 engine assemblies are not serviced but are listed for reference only.

26.6175	1	NPN	ENGINE-air conditioning-less compressor w/name plate stpd. 121-6-A. Replaces engine stpd. 121-6. Waukesha. Detail parts for service only.
26.6175	1	2332500	ENGINE-air conditioning-w/name plate stpd. Y91-462 on block. Continental. Repl. engine w/name plate stpd Y91-441 on block.
26.6177	1	2347397	GASKET SET-overhaul, air conditioning engine consists of water pump seals, felts and sufficient gaskets for a complete engine overhaul. Continental.

AIR CONDITIONING ENGINE MOUNTING

26.6180	2	2305284	BOLT-rear support to engine-1/2-13 x 1-3/4 hex hd. Used w/Waukesha engine.
26.6180	1	2318877	BRACKET-engine-front support. Used w/Continental engine.
26.6185	3	2379827	MOUNT-engine-lower.

26.6185	3	2379826	MOUNT-engine-upper. Repl. 2314004.
26.6190	AR	2314173	SPACER-engine mount-2-1/8 in. long.
26.6190	1	2318917	SPACER-engine mount-2-5/16 in. long. Used w/Continental engine.
26.6200	4	2225652	STUD-engine mounting-front. 5/16-18-24 x 7/8. Used w/Waukesha engine.
26.6205	1	2298032	SUPPORT-engine-front. 7-1/2 in. long. Used w/Waukesha engine.
26.6205	1	2318455	SUPPORT-engine-front. Used w/Continental engine.
26.6205	1	2314167	SUPPORT-engine-rear. Bulkhead to fan shroud supt. 32-15/16 in. long. Repl. 2295849. Used w/Waukesha engine.
26.6205	1	2314172	SUPPORT-engine-front. Bulkhead to fan shroud support. 32-15/16 in. long. Repl. 2295850. Used w/Waukesha engine.
26.6205	1	2318547	SUPPORT-engine-rear. Bulkhead to fan shroud support. 32-15/16 in. long. Used w/Continental engine.
26.6205	1	2298037	SUPPORT-engine-R.H. rear. L shaped. 4-3/4 x 7-1/8. Used w/Waukesha engine.
26.6205	1	2316022	SUPPORT-engine-L.H. rear. L shaped. 4-3/4 x 6-1/16. Repl. 2298036. Used w/Waukesha engine.
26.6205	1	2318873	SUPPORT-engine-L.H. rear. 10-9/16 in. long. Used w/Continental engine.
26.6205	1	2318874	SUPPORT-engine--R.H. rear. 10-9/16 in. long. Used w/Continental engine.

AIR CONDITIONING ENGINE CRANKCASE

26.6220	1	2095417	CRANKCASE-engine-incl. camshaft bushing, distributor shaft bushing, relief valve sleeve pin & plugs. Waukesha.
26.6225	1	2323709	GASKET-crankcase end plate-to crankcase. Continental.
26.6230	1	2323655	PLATE-crankcase-front end. Welded. Bolt 5/16-18 x 3/4 hex hd. cross recess. Continental.
26.6235	2	143969	PLUG-engine crankcase-expansion. Oil hole 1-11 x 1/2 socket hd. iron. Waukesha.
26.6235	2	2323713	PLUG-engine crankcase-oil header. 1/4 pipe 3/8 height. Continental.
26.6235	2	118831	PLUG-engine crankcase-1/8-27 sl. hds. pipe. Waukesha.

AIR CONDITIONING ENGINE CYLINDER BLOCK

26.6250	1	2282125	BLOCK-engine cylinder-incl. valves, inserts, springs, retainers, clips, guides & plugs. Waukesha.
26.6250	1	2360348	BLOCK-engine cylinder-crankcase integral. Incl. crankshaft brgs., camshaft bushings, plugs, etc. Continental. Repl. 2323651
26.6255	1	2299556	GASKET-engine cylinder block-to crankcase. Waukesha.
26.6260	3	103895	PLUG-engine cylinder block-core hole. 1-1/4 dia. expansion.
26.6260	2	143192	PLUG-engine cylinder block-end. 1-1/8 dia. expansion. Continental.
26.6260	1	147863	PLUG-engine cylinder block-3/8-18 sq. socket pipe. Waukesha.
26.6265	4	2095411	STUD-engine cylinder block-to crankcase. Long. 3/8-16-24 x 1-5/8. Waukesha.
26.6265	7	2095412	STUD-engine cylinder block-to crankcase. Small. 3/8-16-24 x 1-7/16. Waukesha.

AIR CONDITIONING ENGINE CYLINDER HEAD

26.6275	1	2185519	HEAD-engine cylinder. Waukesha.
26.6275	1	2335477	HEAD-engine cylinder-Continental. Repl. 2323689.
26.6277	15	2346900	BOLT-engine cylinder head-to block. Continental.
26.6280	1	2323691	GASKET-engine cylinder head-Continental.
26.6280	1	2100810	GASKET-engine cylinder head-Waukesha.
26.6285	1	147863	PLUG-engine cylinder head-3/8-18 sq. socket pipe. Waukesha.
26.6290	4	2241128	SPRING-insert, spark plug heli-coil-Waukesha.
26.6295	10	2226673	STUD-engine cylinder head-3/8-16 x 2-19/32. Waukesha.

AIR CONDITIONING ENGINE INTAKE & EXHAUST VALVE

26.6310	4	2323716	VALVE-engine-intake. Continental.
26.6310	4	2100803	VALVE-engine-intake. Waukesha.

26.6310	4	2323717	VALVE-engine-exhaust. Continental.
26.6310	4	2226628	VALVE-engine-exhaust. Waukesha.
26.6315	8	2323721	CUP-engine valve-Continental.
26.6320	16	2100807	CLIP-engine valve spring retainer-Waukesha.
26.6325	1	2323657	COVER-engine valve lifter-welded. Continental.
26.6330	1	2230035	DOOR-engine valve. Waukesha.
26.6335	1	2095415	GASKET-engine valve door-Waukesha.
26.6337	8	2323724	GASKET-valve lifter cover-to cylinder block. Continental.
26.6337	2	2323723	GASKET-valve lifter cover-to cylinder stud. Continental.
26.6340	4	2100802	GUIDE-engine valve-intake valve. Waukesha.
26.6340	4	2131450	GUIDE-engine valve-exhaust valve. Waukesha.
26.6340	8	2370722	GUIDE-engine valve-Continental.
26.6345	8	2226629	LIFTER-engine valve-incl. adj. screw and nut. Waukesha.
26.6345	8	2323791	LIFTER-engine valve-continental.
26.6350	1	2323725	LINE-vent, valve lifter-Continental.
26.6355	16	2323720	LOCK-retainer, engine valve spring-Continental.
26.6360	8	2323793	NUT-engine valve lifter adj. screw-3/8-24 hex. Continental.
26.6360	8	2226632	NUT-engine valve lifter adj. screw-lock. 3/8-24. Waukesha.
26.6370	8	2100806	RETAINER-engine valve spring-Waukesha.
26.6375	4	2282129	RING-insert, engine valve-intake valve. Waukesha.
26.6375	4	2226626	RING-insert, engine valve-exhaust valve. Waukesha.
26.6375	4	2419398	RING-insert, engine valve-exhaust valve. Continental.
26.6380	8	2226631	SCREW-adj., engine valve lifter-3/8-24 x 7/8 hex hd. Waukesha.
26.6380	8	2323792	SCREW-engine valve lifter-adj. screw 3/8-24 x 1-9/32 hex. hd. Continental.
26.6385	8	2323719	SEAT-engine valve spring-Continental.
26.6390	8	2323719	SPRING-engine valve-Continental.
26.6390	8	2215812	SPRING-engine valve-Waukesha.
26.6400	1	2226671	STUD-engine valve door-5/16-18 x 15/16. Waukesha.
26.6405	2	2323722	STUD-engine valve lifter chamber cover-to cylinder. 1/4-20 x 2-1/4. Continental.
26.6410	2	2226659	WASHER-engine valve door bolt-17/64 ID, 3/8 OD. Waukesha.
26.6410	3	2226660	WASHER-engine valve door bolt-21/64 ID, 1/2 OD. Waukesha.

AIR CONDITIONING ENGINE CAMSHAFT

26.6430	1	2323695	CAMSHAFT-engine-Continental.
26.6430	1	2095433	CAMSHAFT-engine-Waukesha.
26.6435	1	2323697	BUSHING-engine camshaft-front & rear. Continental.
26.6435	1	2100839	BUSHING-engine camshaft-front & rear. Waukesha.
26.6435	1	2323698	BUSHING-engine camshaft-center. Continental.
26.6435	1	2100840	BUSHING-engine camshaft-center. Waukesha.
26.6435	1	2323699	BUSHING-engine camshaft-rear. Continental.
26.6440	3	111984	PIN-engine camshaft bushing-Waukesha.
26.6445	1	2323696	PLATE-thrust, engine camshaft-bolt 3/16-18 x 1-300M. Continental.
26.6445	1	2095435	PLATE-thrust, engine crankshaft-Waukesha.
26.6450	1	103896	PLUG-engine camshaft-1-1/2 dia. expansion. Waukesha.
26.6450	1	103896	PLUG-engine camshaft bushing-rear. 1-1/2 dia. expansion. Continental.

AIR CONDITIONING ENGINE CRANKSHAFT & BEARINGS

26.6465	1	2323668	CRANKSHAFT-engine-Continental.
26.6465	1	2378626	CRANKSHAFT-engine-Waukesha. Repl. 2153672.
26.6470	2	954256	BEARING-engine crankshaft-front and rear. N.D. #77207-L1C. Waukesha.
26.6475	1	2325911	BEARING KIT-main, engine crankshaft-std. Front, Continental.
26.6475	1	2325912	BEARING KIT-main, engine crankshaft-.002 U.S. Front. Continental.
26.6475	1	2325913	BEARING KIT-main, engine crankshaft-.020 U.S. Front. Continental.
26.6475	1	2325914	BEARING KIT-main, engine crankshaft-.022 U.S. Front. Continental.
26.6475	1	2325915	BEARING KIT-main, engine crankshaft-.040 U.S. Front. Continental.
26.6475	1	2325916	BEARING KIT-main, engine crankshaft-std. center. Continental.
26.6475	1	2325917	BEARING KIT-main, engine crankshaft-.002 U.S. Center. Continental.
26.6475	1	2325918	BEARING KIT-main, engine crankshaft-.020 U.S. Center. Continental.
26.6475	1	2325919	BEARING KIT-main, engine crankshaft-.022 U.S. Center. Continental.

26.6475	1	2325920	BEARING KIT-main, engine crankshaft-.040 U.S. Center. Continental.
26.6475	1	2325921	BEARING KIT-main, engine crankshaft-std. rear. Continental.
26.6475	1	2325922	BEARING KIT-main, engine crankshaft-.002 U.S. Rear. Continental.
26.6475	1	2325923	BEARING KIT-main, engine crankshaft-.020 U.S. Rear. Continental.
26.6475	1	2325924	BEARING KIT-main, engine crankshaft-.022 U.S. Rear. Continental.
26.6475	1	2325925	BEARING KIT-main, engine crankshaft-.040 U.S. Rear. Continental.
26.6480	1	2323674	BLOCK-filler, crankshaft bearing-front. Continental.
26.6480	1	2323675	BLOCK-filler, crankshaft bearing-rear. Continental.
26.6485	2	2323676	BOLT-engine crankshaft brg. filler block-5/16-18 x 2-5/8 socket hd.
26.6490	1	2323783	BOLT-engine crankshaft cap-to cylinder block-1/2-13 x 2 hex hd. Continental.
26.6490	5	2323782	BOLT-engine crankshaft cap-to cylinder block-1/2-13 x 2-3/8 hex. hd. Continental.
26.6495	1	2323773	CAP-engine crankshaft bearing-front. Continental.
26.6495	1	2323774	CAP-engine crankshaft bearing-intermediate. Continental.
26.6495	1	2323775	CAP-engine crankshaft bearing-rear. Continental.
26.6500	2	2095424	COLLAR-engine crankshaft bearing-spacing. Waukesha.
26.6505	1	2095420	GASKET-engine crankshaft rear bearing retainer-Waukesha.
26.6510	1	2323678	GUARD-oil, engine crankshaft bearing-Continental.
26.6520	1	2323689	PLATE-thrust, engine crankshaft-Continental.
26.6525	1	2226676	RETAINER-engine crankshaft-rear brg. Waukesha.
26.6530	1	2095419	RING-engine crankshaft rear bearing retainer-Waukesha.
26.6535	2	2360350	SEAL-crankshaft bearing filler block-to crankshaft. Continental. Repl. 2323677.
26.6535	1	2360350	SEAL-crankshaft bearing filler block-rear bearing. Continental. Repl. 2323920.
26.6540	1	2323680	SEAL-oil, engine crankshaft-Continental.
26.6540	1	2226696	SEAL-oil, engine crankshaft-rear. Waukesha.
26.6540	1	2323679	SEAL-oil, engine crankshaft-rear bearing. Grey feil. Continental.
26.6545	1	2323671	SHIM-thrust, engine crankshaft-.002. Continental.
26.6545	3	2323672	SHIM-thrust, engine crankshaft-.008.
26.6550	1	2323673	SLINGER-oil, engine crankshaft-Continental.
26.6555	4	2303304	STUD-engine crankshaft rear bearing retainer. 5/16-18-24 x 31/32, Waukesha.
26.6560	6	2323784	WASHER-engine crankshaft bearing cap bolt-plain. 33/64 ID x 7/8 OD x 1/8 thk. Continental.
26.6565	2	2323670	WASHER-thrust, engine crankshaft-Continental.

AIR CONDITIONING ENGINE CONNECTING
RODS & PISTONS

26.6565	4	2226641	ROD-connecting, engine-incl. bearing, bushing, bolt and shim. Waukesha.
26.6575	2	2323652	ROD-connecting, engine-#1 & 3 cylinder, incl. bearing, bushing, bolt & nut. Continental.
26.6575	2	2323653	ROD-connecting, engine-#2 & 4 cylinder, incl. bearing, bushing, bolt and nut. Continental.
26.6580	8	2095428	BEARING-engine connecting rod-std. Waukesha.
26.6580	8	2296540	BEARING-engine connecting rod-.010 U.S. Waukesha.
26.6580	8	2296541	BEARING-engine connecting rod-.020 U.S. Waukesha.
26.6580	8	2296542	BEARING-engine connecting rod-.030 U.S. Waukesha.
26.6580	8	2296543	BEARING-engine connecting rod-.040 U.S. Waukesha.
26.6580	4	2323787	BEARING-engine connecting rod-#1 & 3 cylinder. Std. Continental.
26.6580	4	2323790	BEARING-engine connecting rod-#2 & 4 cylinder. Std. Continental.
26.6580	2	2323945	BEARING-engine connecting rod-#1 & 3 cylinder. .002 U.S. Continental.
26.6580	2	2323946	BEARING-engine connecting rod-#2 & 4 cylinder. .002 U.S. Continental.
26.6580	2	2323947	BEARING-engine connecting rod-#1 & 3 cylinder. .020 U.S. Continental.
26.6580	2	2323948	BEARING-engine connecting rod-#2 & 4 cylinder. .020 U.S. Continental.
26.6580	2	2323949	BEARING-engine connecting rod-#1 & 3 cylinder. .022 U.S. Continental.
26.6580	2	2323950	BEARING-engine connecting rod-#2 & 4 cylinder. .022 U.S. Continental.
26.6580	2	2324795	BEARING-engine connecting rod-#1 & 3 cylinder. .040 U.S. Continental.
26.6580	2	2324796	BEARING-engine connecting rod-#2 & 4 cylinder. .040 U.S. Continental.
26.6585	8	2100844	BOLT-engine connecting rod bearing-5/16-24 x 1-19/32, Waukesha.
26.6585	8	2323789	BOLT-engine connecting rod bearing-5/16-24 x 1-25/32, Continental.
26.6590	4	2100843	BUSHING-engine connecting rod-piston pin.
26.6590	4	2323788	BUSHING-engine connecting rod-Continental.

26.6595	8	2323758	NUT-engine connecting bearing bolt-5/16-24 sl. hex. Continental.
26.6600	4	2323681	PIN-engine piston-std. Continental.
26.6600	4	2100846	PIN-engine piston-Waukesha.
26.6605	4	2095429	PISTON-engine-incl. pin. std. Waukesha.
26.6605	4	2275862	PISTON-engine-.010 O.S. Waukesha.
26.6605	4	2275863	PISTON-engine-.020 O.S. Waukesha.
26.6605	4	2324798	PISTON-engine-std. Continental.
26.6605	4	2326569	PISTON-engine-.020 O.S. Continental.
26.6605	4	2326570	PISTON-engine-.030 O.S. Continental.
26.6605	4	2326571	PISTON-engine-.040 O.S. Continental.

NOTE: Above 4 pistons include piston pin & retaining ring.

26.6610	4	2226674	RING-engine piston-upper. Std. Waukesha.
26.6610	4	2100819	RING-engine piston-lower, Std. Waukesha.
26.6610	4	2275864	RING-engine piston-upper. .010 O.S. Waukesha.
26.6610	4	2275865	RING-engine piston-upper. .020 O.S. Waukesha.
26.6610	4	2275866	RING-engine piston-center. .010 O.S. Waukesha.
26.6610	4	2275867	RING-engine piston-center. .020 O.S. Waukesha.
26.6610	4	2275868	RING-engine piston-lower. .010 O.S. Waukesha.
26.6610	4	2275869	RING-engine piston-lower. .020 O.S. Waukesha.
26.6610	4	2226675	RING-engine piston-oil. Std. Waukesha.

NOTE: The following ring sets consist of sufficient rings for 1 complete engine overhaul.

26.6615	1	2326572	RING SET-engine piston-std. Complete. Continental.
26.6615	1	2326574	RING SET-engine piston-.030 O.S. Complete. Continental.
26.6615	1	2326575	RING SET-engine piston-.040 O.S. Complete. Continental.
26.6620	8	2323683	RING-retaining, engine piston pin-Continental.
26.6620	8	2095430	RING-retaining, engine piston pin-Waukesha.
26.6625	8	2100845	SHIM-engine connecting rod-1-3/16 in. long w/.321 dia. hole. Waukesha.

AIR CONDITIONING ENGINE FLYWHEEL AND HOUSING

26.6640	1	2226638	FLYWHEEL-engine-incl. ring gear and bushing. Waukesha.
26.6640	1	2323661	FLYWHEEL-engine-incl. ring gear and bushing. Continental.
26.6645	6	2323735	BOLT-engine flywheel-to crankshaft. 3/8-24 x 3-1/16, stpd. C4 on head. Continental.
26.6650	2	2323737	BOLT-engine flywheel housing-to crankcase. 7/16-14 x 1-1/2 hex hd. Continental.
26.6650	6	2100818	BOLT-engine flywheel housing-to crankcase. 3/8-24 x 1-21/32 hex hd. Waukesha.
26.6655	1	2248192	BUSHING-engine flywheel-drive, Waukesha.
26.6655	6	2322176	BUSHING-engine flywheel-Continental.
26.6660	1	2127637	COVER-engine flywheel housing-timing hole. Waukesha.
26.6665	1	2127631	GEAR-ring, engine flywheel-Waukesha.
26.6665	1	2323816	GEAR-ring, engine flywheel-Continental.
26.6670	1	2323736	HOUSING-engine flywheel-Continental.
26.6670	1	2250550	HOUSING-engine flywheel-Waukesha.
26.6675	2	113782	KEY-engine flywheel-1/4 x 1. Waukesha.
26.6680	1	2226644	NUT-engine flywheel to crankshaft-1-1/4-12 w/1/4-20 tapped hole. Hex lock. Waukesha.
26.6685	1	2323738	SCREW-drive, flywheel pointer-#10 x 3/4 in. long w/clip point. Continental.

AIR CONDITIONING ENGINE TIMING GEARS

26.6690	1	2297041	GEAR-bevel, engine fan drive-driven. Waukesha.
26.6695	1	2323700	GEAR-engine camshaft-Continental.
26.6695	1	2095434	GEAR-engine camshaft-Waukesha.
26.6700	1	2323703	GEAR-engine crankshaft-Continental.
26.6700	1	2095425	GEAR-engine crankshaft-Waukesha.
26.6700	1	2297040	GEAR-engine fan drive-drive. Bevel pinion. Waukesha.
26.6705	2	903205	BEARING-engine fan drive-bevel gear. ND #3205-X1A, Waukesha.

26.6705	1	905011	BEARING-engine fan drive-pinion ring. ND no. 5L11-X1A. Waukesha.
26.6710	2	905905	BEARING-engine idler pulley-stpd. Z99503-L-1C. Repl. 954821. Used w/Continental engine. Eff. w/chassis no. 1301, 2915.
26.6710	2	904763	BEARING-engine idler pulley-stpd. Z-995202-B. Used w/Continental engine. Eff. w/chassis no. 2916.
26.6715	4	2297063	BOLT-engine fan drive bearing retainer-1/4-20 x 3/4 knurled socket hd. Waukesha.
26.6720	1	2297062	BOLT-retainer, fan drive pulley-3/8-16 x 1 hex. hd. Waukesha.
26.6730	1	2300814	BRACKET-engine idler pulley-adjusting 7 in. long. Used w/Waukesha engine.
26.6730	1	2319960	BRACKET-engine idler pulley-adjusting. Used w/Continental engine. Bolt 3/8-17 x 1/2, 5/16-24 x 3-1/4 hex. hd.
26.6730	1	2300810	BRACKET-engine idler pulley-mtg. welded. Used w/Waukesha engine.
26.6730	1	2317321	BRACKET-engine idler pulley-mtg. incl. shaft and pin. Used w/Continental engine Prior to chassis no. 2916.
26.6730	1	2360698	BRACKET-engine idler pulley-mtg. Incl. shaft and pin. Used w/Continental engine. Eff. w/chassis no. 2916.
26.6735	1	2297033	COLLAR-engine fan drive bevel gear-driver. Waukesha.
26.6740	1	2323654	COVER-engine timing gears-incl. seal and governor lever stud. Bolt 5/16-18 x 1/4 hex. hd., 5/16-18 x 7/8 hex. hd. Continental.
26.6740	1	2297047	COVER-engine timing gear-part of fan drive. Waukesha.
26.6750	1	2297044	GASKET-bevel gear cover plate-Waukesha.
26.6755	1	2323708	GASKET-timing gear cover-to end plate. Continental.
26.6760	1	2297045	GASKET-engine timing gear cover-Waukesha. Repl. 2095442.
26.6765	1	2095441	GASKET-engine timing gear plate-Waukesha.
26.6770	1	106750	KEY-engine camshaft gear-5/32 x 5/8 woodruff.
26.6770	1	124549	KEY-engine crankshaft gear-3/16 x 3/4 woodruff. Waukesha.
26.6775	1	106750	KEY-engine fan drive pulley-5/32 x 5/8 woodruff. Waukesha.
26.6780	1	2297031	LOCK-bevel gear collar to crankshaft nut-1-14 rd. W/two 1/4 in. wide slots. Waukesha.
26.6785	1	2360351	LOCK-engine camshaft gear nut/Continental.
26.6790	1	2323701	NUT-engine camshaft gear to camshaft. 7/8-18 hex. Continental.
26.6790	1	2100820	NUT-engine camshaft gear-5/8-18 hex. lock. Waukesha.
26.6795	2	2159993	PIN-engine timing gear plate-dowel. Waukesha.
26.6800	1	453676	PIN-idler pulley shaft to bracket-1/8 x 1. Use w/Continental engine.
26.6805	1	2297043	PLATE-engine fan drive bevel gear-cover. Waukesha.
26.6810	1	2159992	PLATE-engine timing gear-Waukesha.
26.6815	1	118831	PLUG-bevel gear cover-1/8-27 sl. hdl. Waukesha.
26.6815	2	2226661	PLUG-bevel gear cover-3/16 hex x 3/8 long, 1/8 int. thrd., Allen hd. Waukesha.
26.6820	1	2297046	PULLEY-engine fan drive-Waukesha.
26.6825	2	2317166	PULLEY-engine idler-used w/Continental engine. Prior to chassis no. 1301.
26.6825	1	2331010	PULLEY-engine idler-used w/Continental engine. Eff. w/chassis no.1301 & 2915.
26.6825	1	2331011	PULLEY-engine idler-flat. Used w/Continental engine. Eff. w/chassis no. 1301 & 2915.
26.6825	1	2300815	PULLEY-engine idler-used w/Waukesha engine.
26.6825	1	2360402	PULLEY-engine idler-used w/Continental engine. Eff. w/Chassis no. 2916.
26.6825	1	2360401	PULLEY-engine idler-adjusting. Used w/Continental engine. Eff. w/chassis no. 2916.
26.6830	1	2297042	RETAINER-engine fan drive bearing-Waukesha.
26.6835	2	2323704	RING-dowel, timing gear cover-to crankcase 13/32 ID. x 9/16 OD. x 5/8 in. long. Continental.
26.6840	1	9413438	RING-engine fan drive bearing retainer-external. Waukesha.
26.6840	1	2293808	RING-engine fan drive bearing retainer-internal. Waukesha. Repl. 2301000.
26.6845	1	274746	RING-retaining, bevel gear bearing-Waukesha.
26.6850	2	2300962	RING-snap, engine idler pulley-outer. Prior to chassis no. 1301.
26.6850	2	1915897	RING-snap, engine idler pulley-inner. Used w/Waukesha engine. Repl. 2300963.
26.6850	2	2300963	RING-snap, engine idler pulley-center. Used w/Continental engine. Prior to chassis no. 1301.
26.6850	1	2323095	RING-snap, engine idler pulley-outer. Used w/Continental engine/brg. stpd. 99503 lic. Prior to chassis no. 1301.
26.6850	2	2300962	RING-snap, engine idler pulley-1.688 OD. free dia. W/Continental engine. Eff. w/1301-2915.
26.6850	2	1915897	RING-snap, engine idler pulley-.618 ID. free dia. W/Continental engine. Eff. w/1301-2915.
26.6850	2	274900	RING-snap, engine idler pulley-1.486 OD. free dia. W/Continental engine. Eff. w/chassis.no. 2916.
26.6850	2	274273	RING-snap, engine idler pulley-.577 ID. free dia. W/Continental engine. Eff. w/chassis no. 2916.

26.6855	1	2323680	SEAL-engine timing gear cover-Continental.
26.6860	1	2293807	SEAL-oil, bevel gear bearing-Waukesha. Repl. 2296526.
26.6865	1	2300813	SHAFT-engine idler pulley-used w/Waukesha engine.
26.6865	1	2319958	SHAFT-engine idler pulley-adjusting. Used w/Continental engine. Prior to chassis no. 1301.
26.6865	1	2330227	SHAFT-engine idler pulley-adjusting. Used w/Continental engine. Eff. w/chassis no. 1301/2915.
26.6865	1	2317314	SHAFT-engine idler pulley-fixed. Used w/Continental engine-prior to chassis no. 2916.
26.6855	1	2360405	SHAFT-engine idler pulley-fixed. Used w/Continental engine. Eff w/chassis no. 2916.
26.6870	1	2360406	SHAFT-engine idler pulley-adjusting. Used w/Continental engine. Eff w/chassis no 2916.
26.6875	3	2297036	SHIM-bevel gear bearing Continental. Waukesha.
26.6875	2	2297037	SHIM-bevel gear bearing spacer-.010. Waukesha.
26.6880	1	2297038	SHIM-engine fan drive bearing retainer-.003. Waukesha.
26.6880	2	2297039	SHIM-engine fan drive bearing retainer-.010. Waukesha.
26.6885	1	2319959	SLIDER-engine idler pulley adjusting bracket-used w/Continental engine. Bolt 7/16-14 x 1-1/4 carr. Prior to chassis no. 1301.
26.6885	1	2330228	SLIDER-engine idler pulley adjuster bracket-used w/Continental engine. 7/16-14 x 1-1/4 carr. Eff w/chassis no 1301.
26.6890	1	2297034	SPACER-bevel gear bearing-1 ID. x 1-3/8 OD. x 1.033 in. long. Waukesha.
26.6895	6	2297965	STUD-bevel gear cover plate-1/4-20-28 x - 1. Waukesha.
26.6900	7	2125523	STUD-engine timing gear cover-dowel. 1/4-20-28 x 2. Waukesha.
26.6900	1	2323707	STUD-engine timing gear cover-lower dowel ring. To crankcase. 3/8-16 x 2-5/16 Continental.
26.6900	1	2330783	STUD-engine timing gear cover-upper dowel ring. 3/8-16 x 3. Continental.
26.6905	1	2297032	WASHER-bevel gear collar to crankshaft nut-lock. Waukesha.
26.6910	1	2226677	WASHER-engine camshaft gear lock nut-5/8 lock. Waukesha.
26.6915	1	2327176	WASHER-fan drive pulley bolt-13/32 ID. x 1-1/8 OD. plain. Waukesha. Repl. 2297035.
26.9616	1	2308549	WASHER-engine idler pulley bolt-bracket.
26.6920	1	2323706	WASHER-timing gear cover-at filler block 11/32 ID x 1/2 OD. Copper. spacer-.003.
26.6920	1	2323705	WASHER-timing gear cover bolt-at filler block. 21/64 ID. x 5/8 OD., steel. Continental.

AIR CONDITIONING CRANKCASE BREATHER,
OIL FILLER AND OIL LEVEL GAUGE

26.6935	1	2226684	BREATHER-engine crankcase-Waukesha.
26.6940	1	2226685	ADAPTER-engine crankcase breather-Waukesha.
26.6945	1	104919	BALL-engine oil relief valve-5/16 dia. Waukesha.
26.6950	1	2226650	BODY-engine oil filler-Incl. neck. Waukesha.
26.6955	1	2226686	BRACKET-engine crankcase breather adapter-support. Waukesha.
26.6960	1	119928	BUSHING-engine vent-reducing. Shut-off 3/8 x 1/4 brass. Waukesha.
26.6960	1	119922	BUSHING-engine vent-reducing ventilator valve. 1/4 x 1/8. Waukesha.
26.6970	AR	R 30643	CHAIN-oil level gauge rod-SBF. Continental.
26.6975	1	2323814	CLIP-oil level gauge rod chain-Continental.
26.6980	1	N.P.N.	COCK-engine vent-shut-off. Type C 1/4 pipe thrd. Waukesha. Pro. locally.
26.6985	1	2226688	CONNECTOR-engine crankcase ventilator valve-5/16 fl. x 1/4 pipe thrd. Waukesha.
26.6990	1	2265047	COVER-engine oil gauge hole-2 holes. Waukesha.
26.6990	1	2228930	COVER-engine oil gauge hole-3 holes. Waukesha.
26.6995	1	118754	ELBOW-engine crankcase ventilator valve-at manifold. 5/16-20 x 3/8 fl. 90 degrees. Waukesha.
26.6995	1	2145648	ELBOW-engine crankcase ventilator valve-at valve. 1/8-90 degrees fl. x 1/4 pipe thrd. 1/8-90 degrees fl. x 1/4 pipe thrd. Waukesha.
26.7000	1	2226680	GASKET-engine oil filler body-Waukesha.
26.7005	2	2226680	GASKET-engine oil gauge hole cover-Waukesha.
26.7010	1	2323733	GASKET-engine oil pressure relief valve plug-Continental.
26.7015	2	119937	GASKET-oil pressure relief valve adj. screw-1/2 in. dia. Waukesha.
26.7020	AR	R 30929	HOSE-engine-vent.-1/2 OD., SBF.
26.7023	AR	2224977	LINE-ventilating valve-5/16 OD: copper. Waukesha Repl. R-31094.
26.7025	1	2095444	NECK-engine oil filler-Waukesha.
26.7030	1	N.P.N.	NIPPLE-engine crankcase ventilator valve-1/8 x 3 pipe. Waukesha. Proc. loc.
26.7035	1	2100836	NUT-engine oil level gauge-Cap. No. 8-36 hex Waukesha.
26.7040	1	2125528	NUT-engine oil relief valve-acorn. 1/2-20. Waukesha.
26.7040	1	2125527	NUT-engine oil relief valve-lock. 1/2-20 hex. Waukesha.

26.7050	1	117244	PLUG-engine oil filler body-1/4-18 sq. hd. Waukesha.
26.7055	1	2323732	PLUG-engine oil pressure relief valve-11/16-16 x 41/64 long. Continental.
26.7060	1	2226647	ROD-engine oil level gauge-incl. rod only, nut, washer. Waukesha.
26.7060	1	2226648	ROD-engine oil level gauge-less nut & washer. Waukesha.
26.7060	1	2323660	ROD-engine oil level gauge-incl. washer, clip and chain. Continental.
26.7070	1	2125526	SCREW-engine oil relief valve-adj. Waukesha 1/2-20 x 31/32 rd. sltd. hdls.
26.7075	1	2095447	SLEEVE-engine oil relief valve-waukesha.
26.7080	1	2323730	SPRING-engine oil pressure relief valve-Continental.
26.7080	1	2282126	SPRING-engine oil relief pressure valve-Waukesha.
26.7085	1	2226687	STUD-engine crankcase breather adapter-5/16-18 x 5-17/32. W/weld wing nut.
26.7090	2	2226681	STUD-engine oil filler body-5/16-18-24 x 1-7/16. Waukesha.
26.7095	1	2323729	VALVE-relief, engine oil pressure-Continental.
26.7100	1	1543018	VALVE-ventilating, engine crankcase-Waukesha.
26.7110	AR	2360353	WASHER-adj. engine oil pressure relief valve-17/64 ID. x 15/32 OD. Continental.
26.7115	1	2100837	WASHER-engine oil level gauge-cap nut 11/16 ID. x 7/16 OD. Waukesha.
26.7120	1	2323813	WASHER-oil level gauge rod-dust. Felt. 1/4 ID. x 5/8 OD x 1/8 in. thk. Continental.

AIR CONDITIONING ENGINE OIL PUMP,
FILTER, PAN AND OIL LINES

26.7140	1	2363543	PUMP-oil, engine-part of engine. Incl. gear, pin, drive shaft block, spring & cover. Waukesha. Repl. 2310544.
26.7140	1	2323659	PUMP-oil, engine-incl. cover, screen, body, screen frame, gaskets, gears, shaft etc. Continental.
26.7145	2	2310548	BLADE-engine oil pump-part of 2310544 pump. Waukesha.
26.7150	1	2310546	BODY-engine oil pump-part of 2310544 pump. Waukesha.
26.7150	1	2323802	BODY-engine oil pump-Continental.
26.7155	1	2323822	BUSHING-engine oil pump drive shaft-Continental.
26.7160	1	119922	BUSHING-reducing, lubrication line-1/4 x 1/8 steel. Used w/Continental engine.
26.7165	2	118748	CONNECTOR-oil line to oil filter-1/4 x 1/8 fl.
26.7170	1	192086	COUPLING-oil line to oil filter-1/8 pipe. Used w/Waukesha engine.
26.7175	1	5573246	COVER-engine oil filter
26.7180	1	2323800	COVER-engine oil pump-w/suction tube. Continental.
26.7185	1	2153674	COVER-engine oil pump body-part of 2310544 pump. Waukesha.
26.7195	1	2305236	ELBOW-angle drive oil feed-7/16-20 ext. thrd. at one end, 1/8 tapered pipe thrd. at other end. 90 degree approx. 15/16 in. long. Used w/Waukesha engine.
26.7200	1	120627	ELBOW-engine oil pump body-1/8-45 degree street. Waukesha.
26.7205	1	118753	ELBOW-filter to engine oil line-1/4 x 1/8 fl.
26.7210	1	137421	ELBOW-governor oil line-1/4-24 x 1/8 fl. x 90 degree. Waukesha.
26.7215	1	302722	ELBOW-lubrication line-1/4 drop. Stpd. no. 6. Used w/Continental engine.
26.7218	1	5572499	ELEMENT-engine oil filter.
26.7220	1	5573244	FILTER-oil, engine-incl. shell, element, cover, gasket, cover screw & element spring. Repl. 5570164.
26.7225	1	2314062	FITTING-hose end. Lubrication line. Eff. w/chassis 1301.
26.7225	1	2315403	FITTING-hose end-lubrication line. Eff. w/chassis 1301.
26.7225	1	443753	FITTING-lubrication-1/8 straight. Used w/Continental engine. Prior to 1566.
26.7230	1	2323803	FRAME-oil pump strainer screen.
26.7235	1	1503517	GASKET-engine oil filter-cover screw.
26.7240	1	853463	GASKET-engine oil filter cover.
26.7245	2	2323726	GASKET-engine oil pan-Continental. Prior to chassis 1301.
26.7245	2	2335478	GASKET-engine oil pan-Continental. Eff. w/chassis 1301.
26.7245	2	2338891	GASKET-engine oil pan-arch. Continental. Repl. 2335479 2323727.
26.7245	1	2095422	GASKET-engine oil pan-Waukesha.
26.7245	1	2323694	GASKET-engine oil pan-drain plug. Continental.
26.7250	1	2323806	GASKET-engine oil pump cover-to body. Continental.
26.7255	1	2323805	GASKET-strainer screen frame-to cover. Continental.
26.7260	1	2095436	GEAR-engine oil pump-part of 2226645, 2310544 pump. Waukesha.
26.7260	1	2323812	GEAR-engine oil pump-drive. Continental.
26.7260	1	2323808	GEAR-engine oil pump-driven. Continental.
26.7260	1	2323809	GEAR-engine oil pump-idler. Continental.
26.7265	1	106749	KEY-engine oil pump drive shaft-1/8 x 1/2 woodruff. Continental.
26.7270	1	2306618	LINE-lubrication-used w/Continental engine. Prior to chassis 1301.
26.7270	1	2331113	LINE-lubrication-used w/Continental engine eff w/chassis 1301 thru 1565.
26.7270	1	2303936	LINE-oil-engine to oil filter. Used w/Waukesha engine.
26.7270	1	2297962	LINE-oil-engine to oil filter. Used w/Continental engine.
26.7270	1	2297962	LINE-oil-engine to oil filter. Return. Used w/Continental engine.

26.7270	1	2303937	LINE-oil-oil filter to angle drive. Used w/Waukesha engine.
26.7270	AR	2224976	LINE-oil-governor. 3/16 OD. SBF. Waukesha. Repl. R-31089.
26.7280	1	2226678	PAN-oil, engine-Waukesha.
26.7280	1	2323658	PAN-oil, engine-incl. plate, brace, boss, plug and gasket, filler line, filler neck & cap. Bolt 5/16-18 x 3/4 hex. hd. cross recess. Continental.
26.7285	1	2100821	PIN-engine oil pump gear-part of 2226645, 2310544 pump. Waukesha.
26.7290	1	2226646	PIPE-suction, engine oil pump-w/screen welded. Waukesha.
26.7295	1	118831	PLUG-engine oil pan-1/8-27 pipe rd. sltd. hd. brass. Continental.
26.7295	1	2323799	PLUG-engine oil pan-drain. Continental.
26.7300	1	2323810	RING-snap, drive shaft-continental.
26.7300	2	2243272	RIVNUT-lubrication line drop elbow-used w/Continental engine.
26.7305	1	2323801	SCREEN-engine oil pump strainer. Continental.
26.7310	1	5572144	SCREW-engine oil filter-cover.
26.7315	1	2100823	SCREW-engine oil pump body-lock. 5/16-18 x 3/8. Waukesha.
26.7315	1	2100822	SCREW-engine oil pump body-set. 5/16-18 x 1. Waukesha.
26.7320	1	2310547	SHAFT-engine oil pump-drive. Part of 3210544 pump. Waukesha.
26.7320	1	2323807	SHAFT-engine oil pump-drive. Continental.
26.7325	1	5570476	SHELL-engine oil filter.
26.7328	1	2323804	SPACER-engine oil pump-between frame and screen. Continental.
26.7330	1	5570479	SPRING-engine oil filter element.
26.7333	1	5570481	STRAP-oil filter-mtg.
26.7335	1	2310549	SPRING-engine oil pump-part of 2310544 pump. Waukesha.
26.7340	18	2226679	STUD-engine oil pump-1/4-20-28 x 1-1/8. Waukesha.
26.7345	1	2323734	STUD-engine oil pump body-3/8-16 x 1-3/8. Continental.
26.7350	1	2323811	STUD-engine oil pump idler gear-to body 1-19/32 in. long. Continental

AIR CONDITIONING MANIFOLD

26.7370	1	2323818	MANIFOLD-engine-exhaust. Continental.
26.7370	1	2323819	MANIFOLD-engine-intake. Continental.
26.7370	1	2226664	MANIFOLD-engine-intake & exhaust. Incl. bolt.
26.7375	2	2226667	BOLT-engine manifold-intake to exhaust. 5/16-18 x 1-1/2 hex. hd. Waukesha.
26.7380	3	2323820	GASKET-engine manifold-intake to exhaust. Continental.
26.7380	1	2325934	GASKET-engine manifold-to block.
26.7380	1	2226689	GASKET-engine manifold-Waukesha.
26.7385	1	2323821	PLATE-engine manifold-insulator. Continental.
26.7390	1	118831	PLUG-engine manifold-1/8-27 brass.
26.7395	1	2226690	SHIELD-engine manifold-heat. Bolt 1/4-20 x 1/2 hex. hd. Waukesha.
26.7400	4	2125521	STUD-engine manifold-mtg. 5/16-18-24 x 1-1/8. Waukesha.
26.7400	1	2323741	STUD-engine manifold-inner, exhaust to intake. Continental.
26.7400	2	2323740	STUD-engine manifold-outer, exhaust to intake. 3/8-16 x 3-1/8. Continental.
26.7400	4	2125521	STUD-engine manifold-to block. 5/8-18-24 x 1-1/8. Continental.
26.7400	2	2323734	STUD-engine manifold-center. To cyl. block 3/8-16 x 1-3/8. Continental.
26.7405	4	2100826	WASHER-engine manifold mtg. stud-11/32 ID. x 9/16 ID x 9/16 OD. x 1/8. Waukesha.

AIR CONDITIONING ENGINE THROTTLE
AND CHOKE CONTROL

26.7410	1	2371404	BELLOWS-throttle control air motor-part of 2301732 motor.
26.7415	1	2305213	BRACKET-air motor-used w/Waukesha engine.
26.7420	1	2319453	BRACKET-automatic choke control solenoid-used w/Continental engine.
26.7425	1	2305274	COUPLING-throttle control rod-incl. stop welded. Used w/Waukesha engine.
26.7428	1	2371403	COVER-throttle control air motor-part of 2301732 motor.
26.7430	2	117957	GROMMET-air line-1/4 ID x 15/32 OD rubber. Used w/Waukesha engine.
26.7433	1	2371405	GUIDE-throttle control air motor-1.844 OD, 1/4-27 tap thd. Part of 2301732 motor.
26.7433	1	2371409	GUIDE-throttle control air motor-.762 ID, 1.844 OD. W/single notch.
26.7435	1	2303935	LINE-air-bulkhead to air motor. Used w/Waukesha engine.
26.7435	AR	2224976	LINE-air-gradustat air line tee to air motor 1/4 OD SBF: Used w/Waukesha engine. Repl. R-31092.
26.7440	1	2222216	LINK-automatic choke control solenoid-used w/Waukesha engine.
26.7440	1	2317920	LINK-automatic choke control solenoid-used w/Continental engine.
26.7445	AR	2224544	LOOM-air line-clip 5/16 ID. 25 ft. roll. Used w/Waukesha engine.
26.7450	1	2301732	MOTOR-air, throttle control-used w/Waukesha engine. Incl. bellows, cover, ring, guide, plate, spring & stud
26.7455	1	138082	PIN-solenoid yoke-3/16.

26.7460	1	2127256	PIN-throttle control rod yoke-1-7/64 in. long. W/7/69 key way. Used w/Waukesha engine.
26.7462	1	2371406	PLATE-throttle control air motor-w/bshg. Part of 2301732 motor.
26.7463	1	2371407	RING-throttle control air motor-seal-off. Part of 2301732 motor.
26.7465	1	2305277	ROD-throttle control-used w/Waukesha engine.
26.7470	1	2221483	SOLENOID-automatic choke control-used w/Waukesha engine.
26.7470	1	2320223	SOLENOID-automatic choke control-used w/Continental engine.
26.7473	1	2371408	SPRING-throttle control air motor-compression. Part of 2301732.
26.7475	1	2305515	STOP-adj., throttle control-used w/Waukesha engine.
26.7480	6	2371410	STUD-air motor-mtg. part of 2301732 motor.
26.7480	1	2305279	STUD-air motor-stop. 1/4-28 x 2. Used w/Waukesha engine.
26.7485	1	N.P.N.	TEE-air line-hose to air motor. 1/4 x 1/8 fl. 2 way. Used w/Waukesha engine. Proc. locally.
26.7490	1	2222226	YOKE-automatic choke control solenoid link-used w/Waukesha engine.
26.7490	1	110322	YOKE-automatic choke control solenoid link-no. 10-32 x 9/16 adj. used w/Continental engine.
26.7495	1	2304266	YOKE-throttle control rod-used w/Waukesha engine.

AIR CONDITIONING ENGINE FUEL TANK,
PUMP AND LINES

26.7510	1	2300831	TANK-fuel air conditioning.
26.7515	1	2300846	ANGLE-filler neck shield support.
26.7520	1	2301266	ANTI-SQUEAK-fuel tank.
26.7525	1	854127	BAIL-fuel filter-part of 854098 filter.
26.7525	1	854254	BAIL-fuel filter-part of 854223 filter.
26.7530	1	854115	BODY-fuel filter. Part of 854098 filter.
26.7533	1	854125	BOWL-fuel filter-glass. Part of 854098. filter.
26.7533	1	854253	BOWL-fuel filter-zinc plate. Part of 854223 filter.
26.7535	1	2300847	BRACKET-fuel tank and filler neck-support rivet 1/4 x 9/16 mush. Bolt 1/2-20 x 1 hex hd.
26.7540	1	2301206	BRACKET-fuel tank support-LH. Approx. 4-11/16 in. long. Rivet 1/4 x 5/8 flat hd.
26.7540	1	2301205	BRACKET-fuel tank support-RH. Approx. 4-11/16 in. long. Rivet 1/4 x 5/8 flat hd.
26.7540	1	2301208	BRACKET-fuel tank support-LH. Approx. 3in. long. Bolt 3/8-24 x 1 hex. hd., 1/2-13 x 1/2 rd. hd.
26.7540	1	2301207	BRACKET-fuel tank support-RH. Approx. 3 in. long. Bolt 3/8-24 x 1 hex hd., 1/2-13 x 1/2 rd. hd.
26.7545	AR	112877	BUSHING-fuel line-1/4 x 1/8 brass.
26.7545	1	119922	BUSHING-fuel line-supply hose. 1/4 x 1/8 steel. Prior to chassis 1966.
26.7550	1	850490	CAP-fuel tank filler neck-incl. gasket & retainer.
26.7555	2	120522	CLIP-fuel line-no. 5-5/16 in. dia. W/14 bolt hole, closed type.
26.7555	AR	120527	CLIP-fuel line-no. 10-5/8 in. dia. W/14 bolt hole, closed type.
26.7555	1	2281754	CLIP-fuel line-vent. line. 1/2 in. wide, 1/4 opening, 9/32 bolt hole.
26.7560	1	118748	CONNECTOR-fuel line-strainer. 1/4 x 1/8 fl. Used w/Continental engine-prior to chassis 1966.
26.7560	1	137405	CONNECTOR-fuel line-vent. line to pump 1/4-24 x 1/8 tubing, inv. fl.
26.7560	1	137406	CONNECTOR-fuel line-strainer to pump. 1/8-27 ext., 1/2-20 int., w/5/16 in. line. Eff. w/chassis 1966.
26.7560	1	137404	CONNECTOR-fuel line-vent. line to tank 3/16-24 x 1/8 tubing, inv. fl.
26.7560	2	055118	CONNECTOR-fuel line-ventalarm to check valve and whistle line. Incl. sleeve & nut. For use w/1/2 line. Approx. 3-11/32 in. long.
26.7563	1	854287	COVER-fuel filter-part of 854223 filter.
26.7565	1	2323710	COVER-fuel pump-hole. Continental.
26.7565	1	2127629	COVER-fuel pump-hole. Waukesha.
26.7565	1	2305169	COVER-fuel pump-incl. gasket.
26.7570	1	2305173	CUP-fuel pump plunger spring.
26.7575	2	1523319	DOME-air, fuel filter.
26.7580	1	302722	ELBOW-fuel line-1/4. Drop stpd. no 6. Use w/Continental engine. Prior to 1566.
26.7580	1	2305255	ELBOW-fuel line-supply line to tank.
26.7580	1	2212229	ELBOW-fuel line-to filler neck adapter. For use w/1/2 in. line. 1-18 thrd. at one end. 1/8 tapered pipe thrd. at other end. 90 degree. Cast no. 6.
26.7580	1	118753	ELBOW-fuel line-at carburetor. 1/4 x 1/8 fl. 90 degree.
26.7580	1	137421	ELBOW-fuel line-to pump. 1/4-24 x 1/8 pipe thd. 90 degree inv. fl.
26.7580	1	137422	ELBOW-fuel line-to pump. 5/16 x 1/8 fl. 90 degree-prior to chassis 1966.
26.7580	1	137420	ELBOW-fuel line-vent. line to pump. 3/16-24 x 1-1/8 pipe thd. 90 degree inv. fl.
26.7585	1	854128	ELEMENT-fuel filter-incl. gasket. Part of 854098 filter.
26.7586	1	854113	ELEMENT-fuel filter-part of 854223 filter.

26.7590	1	854223	FILTER-fuel-incl. element, bail, bowl, cover & bowl gasket. 4-1/16 in. long. Replaces 854098 filter 3-27/32 in. long.
26.7595	1	2061210	FITTING-fuel line-at frame. 1-1/4 in. long. W/1/4 int. pipe thd.
26.7595	AR	2314062	FITTING-fuel line-supply line hose. For use w/1/4 line. 7/16-20 thrd. 1-47/64 long.
26.7600	1	2011690	FLANGE-fuel tank-fuel return line. Rivet 1/8 x 3/8 flat hd.
26.7610	1	2305170	GASKET-fuel pump cover.
26.7610	1	2323712	GASKET-fuel pump cover-hole cover. Continental.
26.7610	1	2100813	GASKET-fuel pump cover-hole cover. Waukesha.
26.7635	1	850443	GASKET-fuel tank filler neck cap.
26.7635	1	2300844	GASKET-fuel tank filler neck flange-to fuel tank.
26.7640	1	854126	GASKET-fuel filter-package-part of 854098 filter.
26.7640	1	1537716	GASKET-fuel filter-bowl. Part of 854223 filter.
26.7645	1	2305175	GASKET-plunger spring cup.
26.7650	1	2080440	GASKET-ventalarm to fuel tank.
26.7660	1	117959	GROMMET-fuel pump-wire 5/16 ID. rubber.
26.7665	1	2300967	HOSE-fuel line-supply. Incl. fitting. 11-13/32 in. long. Used w/Waukesha engine.
26.7665	1	2308820	HOSE-fuel line-supply. Incl. fitting. 15-5/32 long. Use w/Waukesha engine.
26.7665	1	2320204	HOSE-fuel line-supply. Incl. fitting. Use w/Continental engine-prior to chassis 1966.
26.7665	1	2362580	HOSE-fuel line-supply. Incl. fitting. Approx. 27-3/16 in. long. Use w/Continental engine. Eff. w/chassis 1966.
26.7670	AR	2224976	LINE-fuel-1/4 OD: SBF: Repl. R-31092.
26.7670	AR	2224977	LINE-fuel-5/16 OD: SBF: Repl. R-31094.
26.7670	AR	2335012	LINE-fuel-ventalarm connector. 1/2 OD., .049 wall, 25 ft. long. copper, CTL.
26.7670	1	2301211	LINE-fuel-connector to whistle. 1/2 OD. x 26-17/32 long.
26.7670	1	2300849	LINE-fuel-tank to check valve. 1/2 OD. x 25-3/16 in. long.
26.7670	1	2300845	LINE-fuel-tank to check valve to ventalarm connector. 1/2 OD.
26.7670	AR	2224975	LINE-vent, fuel tank-3/16 OD. Repl. R-31089.
26.7670	1	2300848	LINE-fuel-ventalarm to filler neck. 3/4 OD, 29-7/16 inch long.
26.7675	AR	2224544	LOOM-fuel line-5/16 ID. 25 ft. roll.
26.7675	AR	2224546	LOOM-fuel line-1/2 ID: 25 ft. roll.
26.7675	AR	2224547	LOOM-fuel line-9/16 ID. 25 ft. roll.
26.7680	1	2300839	NECK-filler, fuel tank-incl. cap & gasket & retainer.
26.7685	1	443976	NIPPLE-fuel line-bushing to fuel strainer 1/8 hex pipe, 15/16 in. long.
26.7685	1	192469	NIPPLE-fuel line-bushing to fuel strainer pipe. 1/4 x 1-1/8.
26.7690	AR	118537	NUT-fuel line-1/4 fl.
26.7690	AR	142432	NUT-fuel line-1/4-24 x 19/32 inv. fl.
26.7690	AR	137398	NUT-fuel line-1/2-20 x 21/32 inv. fl.
26.7690	2	2025565	NUT-fuel line-connector.
26.7690	1	2017326	NUT-fuel line-to filler neck adapter elbow.
26.7695	1	2305171	PLUNGER-fuel pump.
26.7700	1	118831	PLUG-fuel line-1/8-27 rd. sl. hd., brass.
26.7710	1	147863	PLUG-fuel tank-sump. 3/8-18 ctsk. hdls.
26.7710	1	117244	PLUG-fuel tank-1/4-18 sq. hd.
26.7715	1	2301735	PUMP-fuel, air conditioning engine-incl. plunger, spring, cup, gaskets, cover and screen.
26.7720	1	850442	RETAINER-fuel tank filler neck cap gasket. Repl. 850551.
26.7725	3	2243272	RIVNUT-fuel pump shield.
26.7730	1	2305172	SCREEN-fuel pump.
26.7735	1	2302268	SHIELD-fuel pump-prior to chassis 1966.
26.7740	1	2298397	SHIELD-fuel tank filler neck-bolt 1/4-28 x 5/8, screw no 10-32 x 1/2 pan tap.
26.7745	1	2301935	SHIELD-ventalarm whistle-screw no. 10-32 x 3/8 pan hd.
26.7750	2	2256475	SLEEVE-fuel line-connector. For use w/1/2 in. line. .594 in. long.
26.7750	1	2017100	SLEEVE-fuel line-to filler neck adapter elbow. For use w/3/4 in. line, approx. 7/8 in. long.
26.7755	1	2305174	SPRING-fuel pump plunger.
26.7760	2	2323711	STUD-engine fuel pump-to crankcase. 5/16-18 x 1-1/4. Continental.
26.7765	1	2302616	SUPPORT-fuel tank-welded.
26.7765	1	444146	TEE-fuel line-vent. line to pump & valve. 1/8-27 tap pipe extruded. Type C.
26.7770	1	674765	U-BOLT-check valve to bulkhead.
26.7775	1	2321090	VALVE-fuel-check. At bulkhead.
26.7775	1	647962	VALVE-fuel-shut-off. Fuel line-prior to chassis 1966.
26.7775	1	2359498	VALVE-fuel-shut-off. Fuel line-Eff. w/chassis 1966.
26.7780	1	2301706	VENTALARM-fuel tank-screw no. 10-24 x 3/8 pan hd.
26.7785	1	2241931	WHISTLE-ventalarm-bolt 1/4-20 x 3/4 pan hd.

AIR CONDITIONING ENGINE CARBURETOR

26.7795	1	2323663	CARBURETOR-engine-continental. Part of engine 2315890. Stpd. Y991-441. Prior to chassis no. 1301.
26.7795	1	2335476	CARBURETOR-engine-Continental. Part of engine stpd. Y91-462. Eff. w/chassis no. 1301. Details not available at time of publication.
26.7795	1	2191688	CARBURETOR-engine-Waukesha.
26.7800	1	2225788	KIT-carburetor-sufficient gasket & washers for carburetor overhaul.
26.7805	1	2373661	KIT-repair, carburetor consists of sufficient parts for complete carburetor overhaul Continental.
26.7810	1	2143800	AXLE-carburetor fuel float.
26.7815	1	2291124	BODY-throttle, carburetor-Waukesha.
26.7815	1	2337802	BODY-throttle, carburetor-complete. Continental. W/2335476 carb.
26.7820	1	2323843	BOWL-fuel, carburetor-Continental.
26.7820	1	2225247	BOWL-fuel, carburetor-incl. hole plug. Waukesha.
26.7825	1	2218834	BOWL-fuel filter-Waukesha.
26.7830	1	120401	ELBOW-carburetor fuel line-1/8-90 degree street. Waukesha.
26.7835	1	954982	FILTER-fuel-incl. bowl and gasket-Waukesha. Repl. 2233092.
26.7840	1	2323845	FLOAT-fuel, carburetor-w/hinge. Welded. Continental.
26.7840	1	2225249	FLOAT-fuel, carburetor-w/hinge welded. Waukesha.
26.7850	1	2222195	GASKET-carburetor-air intake. Use w/Waukesha engine.
26.7850	1	2323744	GASKET-carburetor-mtg. to engine. Continental.
26.7850	1	2227838	GASKET-carburetor-mtg. to engine. Waukesha.
26.7855	1	2225779	GASKET-carburetor-fuel bowl-to body.
26.7855	1	2218835	GASKET-fuel filter bowl-Waukesha.
26.7860	1	2323852	JET-carburetor-discharge. Continental.
26.7860	1	2225784	JET-carburetor-discharge. Waukesha.
26.7860	1	2323851	JET-carburetor-idle. Continental.
26.7860	1	2225783	JET-carburetor-idle. Waukesha.
26.7860	1	2244738	JET-carburetor-main.
26.7860	1	2323853	JET-carburetor-well vent. At fuel bowl. Continental.
26.7860	1	2148898	JET-carburetor-well vent. At fuel bowl. Waukesha.
26.7865	1	2225776	LEVER-carburetor air shutter-Waukesha.
26.7870	1	2323847	LEVER-choke, carburetor-Continental. W/2323663 carb.
26.7870	1	2337803	LEVER-choke, carburetor-Continental. W/2335476 carb.
26.7875	1	2323857	LEVER-clamp, carburetor throttle-Continental.
26.7880	1	2225246	LEVER-throttle, carburetor-Incl. stop lever, pin, screw and shaft, 1 hole. Waukesha.
26.7880	1	2323859	LEVER-throttle, carburetor-stop. W/hub. Continental.
26.7880	1	2225778	LEVER-throttle, carburetor-2 holes. Waukesha.
26.7885	1	2213675	NUT-carburetor choke line clamp screw-rectangular. .038 x .038 w/no. 10-32 tapped. Continental.
26.7890	1	2178492	PIN-carburetor throttle stop lever-tapered.
26.7895	1	2178492	PIN-carburetor throttle lever-2 hole lever. Waukesha.
26.7900	1	2228896	PIPE-carburetor-air intake bolt 1/4-20 x 7/8 hex hd. Use w/Waukesha engine.
26.7910	1	2225777	PLATE-throttle, carburetor-mtd. on throttle shaft. Waukesha.
26.7910	1	2323856	PLATE-throttle, carburetor-continental.
26.7915	1	2178496	PLUG-carburetor-fuel inlet. Waukesha.
26.7915	1	2148881	PLUG-carburetor-main jet passage.
26.7920	1	2178496	PLUG-carburetor body-fuel channel. Continental.
26.7925	1	2184803	PLUG-carburetor throttle shaft-hole. Continental.
26.7930	1	2178496	PLUG-drain, carburetor bowl.
26.7935	1	2373662	PLUG-drip, carburetor-intake drain. Continental.
26.7940	1	118831	PLUG-fuel filter bowl-1/8 sl. Waukesha.
26.7950	1	2185428	PLUG-hole, carburetor throttle shaft-in fuel bowl. Waukesha.
26.7950	2	2199816	RETAINER-carburetor throttle shaft.
26.7955	1	2215233	SCREW-carburetor air shutter-no. 5-40 x 3/16 rd. hd. Waukesha.
26.7960	2	2215233	SCREW-carburetor choke plate-no. 5-40 x 3/16 in. rd. hd. Continental.
26.7965	1	2148889	SCREW-carburetor stop lever-no. 8-36 x 5/8 in. oval fil. hd.
26.7970	1	2148887	SCREW-carburetor throttle clamp lever-no. 10-32 x .56 hex. hd. Continental.
26.7975	2	2215233	SCREW-carburetor throttle plate-no. 5-40 x 3/16 in. rd. hd. Continental.
26.7980	1	2335941	SCREW-clamp, carburetor choke lever-no. 10-32 x 11/16. Continental. Repl. 2213674.
26.7985	1	2143809	SCREW-needle, carburetor idle-adjusting. 5/16 in. rd. knurled hd.
26.7990	1	2225780	SHAFT-carburetor air shutter.
26.7995	1	2225789	SHAFT-throttle, carburetor-Waukesha.
26.7995	1	2323858	SHAFT-throttle, carburetor-less stop lever. Continental.
26.8000	1	2322399	SHIELD-drip, carburetor-used w/Continental engine.

26.8005	1	2225250	SHUTTER-air, carburetor-Waukesha.
26.8005	1	2323846	SHUTTER-air, carburetor-w/valve. Continental.
26.8010	1	2144344	SPRING-carburetor idle adj. needle screw.
26.8015	2	2323743	STUD-carburetor-to manifold. 5/16 in.-17 x 1-5/8 in. Continental. Prior to chassis 1301.
26.8015	2	2335482	STUD-carburetor-to manifold. Continental. Eff. w/chassis 1301.
26.8015	2	2416005	STUD-carburetor-to manifold. 5/16 in-18/24 x 1-1/4 in. Waukesha.
26.8020	1	2282894	VALVE-fuel, carburetor-Waukesha.
26.8020	1	2323844	VALVE-fuel, carburetor-w/seat. Continental.
26.8025	1	2323849	VENTURI-carburetor-main. Continental.
26.8025	1	2225781	VENTURI-carburetor-main. Waukesha.
26.8030	1	2185440	WASHER-carburetor fuel valve seat-fibre. .354 ID. x .512 OD. x .041 thk. Continental.
26.8030	1	2225786	WASHER-carburetor fuel valve seat-.354 ID. fibre. Waukesha.
26.8035	1	2143813	WASHER-carburetor jet-discharge jet. fibre. .254 ID. x .366 OD. x .039 thk. Continental.
26.8035	1	2225785	WASHER-carburetor jet-discharge jet. .235 OD. Fibre. Waukesha.
26.8035	1	2143812	WASHER-carburetor jet-main jet. .200 ID. Fibre.
26.8035	1	2143811	WASHER-carburetor jet-main jet passage plug. .380 ID: Fibre.
26.8040	1	2184801	WASHER-carburetor throttle shift-packing, felt. .028 ID. x .044 x .018 thk.

AIR CONDITIONING ENGINE GOVERNOR

26.8050	1	2323664	GOVERNOR-engine-continental.
<u>NOTE: See water pump group for governor used w/Waukesha engine.</u>			
26.8060	1	2323875	BASE-engine governor-w/bushing. Continental.
26.8062	1	2323868	BASE-engine governor fork-Continental.
26.8063	1	456725	BEARING-engine governor-thrust. Continental.
26.8063	1	191345	BEARING-needle, governor lever shaft. Continental.
26.8065	1	2323872	BODY-engine governor-Continental.
26.8070	1	2323747	BOLT-engine governor-upper, to gear cover. 3/8 in.-16 x 1-1/8 in. hex. hd. Continental. Prior to chassis 1301.
26.8070	1	189304	BOLT-engine governor-upper. To gear cover. 3/8-16 x 3-1/4. hex. hd. Continental. Eff. w/chassis 1301.
26.8073	1	2336331	BUSHING-governor body-Continental.
26.8073	1	2336334	BUSHING-governor lever shaft-Continental.
26.8075	1	2323869	CLIP-engine governor drive shaft-Continental.
26.8080	1	2323865	FORK-engine governor-Continental.
26.8090	1	2323746	GASKET-engine governor-flange plate. Continental.
26.8090	1	2323745	GASKET-engine governor-to gear cover. Continental.
26.8095	1	2323878	GEAR-engine governor-Drive. Continental.
26.8100	1	2379320	JOINT -ball, governor lever-to carburetor control rod. Continental.
26.8105	1	2323863	LEVER-governor-Continental.
26.8110	1	2323750	LEVER-governor speed change-Continental.
26.8115	2	2323749	NUT-engine governor lever-to rod & lever. Continental.
26.8120	2	2323749	NUT-engine governor spring-lock & adj. 1/4-28 hex. Continental.
26.8125	1	142485	PIN-governor fork-to shaft. 1/8 x 5/8 grooved. Continental.
26.8130	1	2323751	PLATE-engine governor gasket-Continental.
26.8135	1	118831	PLUG-engine governor body. 1/8-27 rd. sltd. hd. brass. Continental.
26.8140	1	2323876	RACE-engine governor-lower. Continental.
26.8140	1	2323867	RACE-engine governor-upper. Continental.
26.8145	1	2323665	ROD-engine governor to carburetor. W/yoke. Welded. Continental.
26.8150	1	2323873	SCREW-engine governor-adj. 1/4-28 x .138 hex. hd. Continental.
26.8155	1	2323754	SCREW-engine governor spring-adj. 1/4-28 x 1-1/2 in. Continental.
26.8160	1	2323752	SEAL-engine governor-Continental.
26.8160	1	2336333	SEAL-engine governor lever shaft. Continental.
26.8165	1	2323874	SHAFT-engine governor-drive. Continental.
26.8170	1	2323864	SPRING-engine governor-bumper. Continental.
26.8170	1	2323753	SPRING-engine governor-Continental.
26.8175	1	2323757	STUD-governor speed change lever-part of timing gear cover. 5/16-18-24 x 1-7/8. Continental.
26.8180	1	2323871	WASHER-engine governor-ball stop. .010 thk. Continental.
26.8180	1	2323870	WASHER-engine governor-ball stop. .050 thk. Continental.
26.8180	1	2323877	WASHER-engine governor-thrust. .442 ID. x 1 in. OD. Continental.

26.8180	1	2323693	WASHER-engine governor-upper bolt. 25/64 ID. x 5/8 OD. x .064 thk. Continental.
26.8180	1	2336332	WASHER-thrust, governor body bushing. Continental.

AIR CONDITIONING ENGINE AIR CLEANER

26.8190	1	2300968	CLEANER-air, engine-incl. bowl, prefilter.
26.8200	1	2303379	BAND-air cleaner-mtg. bracket.
26.8200	1	2303382	BAND-air cleaner-w/latches, welded.
26.8200	1	2300959	BRACKET-air cleaner-mtg. end leg & band.
26.8203	1	2332462	CAP-air cleaner air intake-w/filter hdls. Repl. 2228427.
26.8205	AR	178319	CLAMP-hose-air cleaner to carburetor. 2-1/32 dia.
26.8205	4	178319	CLAMP-hose-radiator to engine. 2-1/32 dia.
26.8205	AR	178320	CLAMP-hose-air cleaner to carburetor. 2-1/8 in. dia. Use w/Waukesha engine.
26.8205	1	178319	CLAMP-hose-air cleaner to carburetor. 2-1/32 dia. Use w/Continental engine.
26.8205	1	178315	CLAMP-hose-air cleaner to carburetor. 1-3/4 dia. Use w/Continental engine.
26.8210	1	2303381	CUP-air cleaner-Incl. disc.
26.8220	1	2224582	HOSE-air cleaner to carburetor-use w/Waukesha engine.
26.8220	1	2320168	HOSE-air cleaner to carburetor-use w/Continental engine.

NOTE: See Group 26.8203 after 1300.

26.8223	2	2303378	LEG-air cleaner mtg. bracket.
26.8225	1	2303383	PREFILTER-air cleaner.

AIR CONDITIONING ENGINE EXHAUST

26.8230	1	2320216	MUFFLER-exhaust, engine-used w/Continental engine. Prior to chassis 3866.
26.8230	1	2279614	MUFFLER-exhaust-used w/Continental engine. Effective w/chassis 3866.
26.8230	1	2297951	MUFFLER-exhaust, engine-used w/Waukesha engine.
26.8235	1	2299235	BRACKET-engine exhaust muffler hanger. Prior to chassis 3866. Bolt 5/16-24 x 7/8 hex. hd.
26.8236	1	2303624	BRACKET-engine exhaust muffler-front support. Effective w/chassis 3866. Bolt 5/16-24 x 3/4 in. hex.
26.8236	1	2303625	BRACKET-engine exhaust muffler-rear support. Effective w/chassis 3866. Bolt 5/16-24 x 3/4 in. hex.
26.8237	1	2304650	BRACKET-engine muffler exhaust pipe-at front center pipe. Effective w/chassis 3866.
26.8237	1	2362598	BRACKET-engine muffler exhaust pipe-at rear center pipe. Effective w/chassis 3866.
26.8238	1	2303626	BRACKET-engine exhaust muffler tail pipe-effective w/chassis 3866.
26.8240	2	2222194	CLAMP-engine exhaust muffler-exhaust & tail pipes to muffler. Bolt 5/16-24 x 1-1/4 hex. hd. Used w/Waukesha engine.
26.8240	AR	072573	CLAMP-engine exhaust muffler-exhaust & tail pipe to muffler. Bolt 5/16-24 x 1-1/4 hex hd. Use w/Continental engine.
26.8240	1	2116302	CLAMP-engine exhaust muffler-tail pipe. 1-1/2 ID., 3/4 in. wide, Dev. lgth. 7-3/8, 11/32 dia. bolt hole. Effective w/chassis 3866. Bolt 5/16-24 x 1-1/4 in. hex.
26.8242	AR	2288043	COUPLING-engine exhaust pipe. 1-1/2 ID. x 3 in. long. Effective w/chassis 3866.
26.8244	2	2303627	DEFLECTOR ASSY.-heat, engine exhaust pipe. Effective w/chassis 3866. Bolt 10-12 x 3/8 pan tap.
26.8245	1	2222215	GASKET-engine exhaust pipe to muffler-used w/Waukesha engine.
26.8245	1	2318538	GASKET-engine exhaust pipe to muffler-used w/Continental engine.
26.8250	1	2299233	HANGER-engine exhaust muffler-used w/Waukesha engine.
26.8250	1	2319970	HANGER-engine exhaust muffler-used w/Continental engine. Prior to chassis 3866.
26.8255	2	2078509	INSULATOR-engine exhaust muffler hanger to bracket-Prior to chassis 3866.
26.8260	2	063139	NUT-exhaust pipe to manifold bolt-3/8-16 hex. Used w/Waukesha engine.
26.8265	1	2320140	PIPE-exhaust, engine-front. Used w/Continental engine.
26.8265	1	2323587	PIPE ASSY.-exhaust, engine-front center. W/flexible tube. Effective w/chassis 3866.
26.8265	1	2303633	PIPE-exhaust, engine-center. Effective w/chassis 3866.
26.8265	1	2362599	PIPE-exhaust, engine-rear center. Effective w/chassis 3866.
26.8265	1	2303642	PIPE-exhaust, engine-rear. Effective w/chassis 3866.
26.8265	1	2298078	PIPE-exhaust, engine-bolt 3/8-16 x 1/4 hex. hd. Used w/Waukesha engine.
26.8270	1	2318878	PIPE-tail, engine-used w/Continental engine. Prior to chassis 3866.

26.8270	1	2340417	PIPE-tail, engine-Effective w/chassis 3866.
26.8270	1	2298080	PIPE-tail, engine-used w/Waukesha engine.
26.8273	AR	2303621	U-BOLT-engine exhaust pipe-1/4-28 x 2-1/8 in. depth. Effective w/chassis 3866.
26.8275	4	2323742	WASHER-engine manifold stud nut-13/32 ID. x 3/4 OD. x 1/8 in. thk. Continental.

AIR CONDITIONING COMPRESSOR

26.8290	1	2282119	COMPRESSOR-less hubs-used w/Waukesha engine.
26.8290	1	2315499	COMPRESSOR-bolt 3/8-16 x 1-3/8 hex. hd. Used w/Continental engine. Prior to 1566.
26.8290	1	2344330	COMPRESSOR-used w/Continental engine. Effective w/1566.
26.8291	1	N.P.N.	ADAPTER-compressor valve-suction valve on hsg. Prior to 1566. See Group 26.8318.
26.8293	1	2128061	BAFFLE-compressor inlet-used w/Waukesha. engine.
26.8295	1	2146303	BEARING-compressor-rotor shaft. front. Stpd. GBH-2216-X. Used w/Waukesha engine.
26.8295	1	954462	BEARING- compressor-rear, rotor shaft. no. 5306-T1A. Used w/Waukesha engine.
26.8295	1	2327341	BEARING-compressor-thrust. Used w/Continental engine.
26.8310	1	2128070	BODY-compressor valve-check valve. Used w/Waukesha engine.
26.8310	1	2333059	BODY-compressor valve-suction valve on hsg.
26.8311	1	2328234	BOLT-compressor-discharge valve. 5/16-24 x 1-7/16 overall lgth. Special. Used w/Continental engine.
26.8312	1	2327349	BRACKET-compressor oil pump-mtg. Bolt 1/4-28 x 5/8 hex. hd. Used w/Continental engine.
26.8313	2	2328208	BREAKER-foam, compressor-Bolt 1/4-28 x 5/8 hex. hd.
26.8314	3	2328232	CAGE-compressor discharge valve-used w/Continental engine.
26.8315	1	2328203	CAP-compressor valve-oil changing valve. Used w/Continental engine.
26.8315	1	2333576	CAP-compressor valve-discharge valve on hsg. Used w/Continental engine. Prior to 1566.
26.8315	1	2356126	CAP-compressor valve-discharge valve on hsg. Used w/Continental engine. Eff. w/1566.
26.8315	1	2333060	CAP-compressor valve-suction valve on hsg.
26.8315	1	2333576	CAP-compressor valve-discharge valve on hsg.
26.8315	1	2140542	CAP-compressor valve-oil charging valve.
26.8316	1	2226603	CONNECTION-compressor discharge valve-Used w/Waukesha engine.
26.8318	1	2386342	COUPLING-suction valve on hsg. Effective repl. 2333062 adapter.
26.8320	1	2327343	COVER-compressor-crankshaft oil seal. Bolt 5/16-18 x 1 in. Used w/Continental engine.
26.8320	1	2282124	COVER-compressor-front. Used w/Waukesha engine.
26.8320	1	2327350	COVER-compressor-at hsg. end. hand hole. Bolt 7/16-14 x 1-1/4 hex. hd. Used w/Continental engine.
26.8323	1	2327320	CRANKSHAFT-compressor-incl. counterweight & plug. Used w/Continental engine.
26.8325	1	2241944	CYLINDER-compressor-oil pressure. Incl. bearing, race, seal & dowel. Used w/Waukesha engine.
26.8330	6	2128051	DOWEL-bearing cover-pin. 1-1/2 in. long w/1/4-20 thrd. Used w/Waukesha engine.
26.8333	1	2327326	DRIVE ASSY.-compressor oil pump-used w/Continental engine.
26.8335	1	2128065	ELBOW-oil line-supply. Used w/Waukesha engine.
26.8335	1	2327334	ELBOW-oil line-oil pump discharge. At pump. For use w/1/4 in. line. Approx. 29/32 in. long, 90 degree. Used w/Continental engine.
26.8335	1	2327333	ELBOW-oil line-oil pump section. At pump. For use w/3/8 in. line. Approx. 31/32 in. long, 90 degree. Used w/Continental engine.
26.8335	1	137422	ELBOW-oil line-supply. 5/16 in-20 x 1/8 in. pipe thrd. Used w/Waukesha engine.
26.8337	1	2327319	FITTING-compressor-for use w/1/4 in. line, 1-1/4 in. long. Used w/Continental engine.
26.8340	1	2128079	FLANGE-compressor-discharge valve. Used w/Waukesha engine.
26.8340	1	2128082	FLANGE-compressor-inlet valve. Used w/Waukesha engine.
26.8340	1	2386341	FLANGE-compressor-suction valve on hsg. Repl. 2333064 bolt 5/16-18 x 1-1/2 hex. hd.
26.8345	1	2321752	FLYWHEEL-compressor-Incl. pins. Used w/Continental engine.
26.8350	1	2128071	GASKET-check valve body-used w/Waukesha engine.
26.8355	1	2333066	GASKET-compressor-drive end closure plate.
26.8355	1	2128056	GASKET-compressor-front bearing cover. Used w/Waukesha engine.
26.8355	2	2248191	GASKET-compressor-front cover. Used w/Waukesha engine.
26.8355	1	2128081	GASKET-compressor-inlet valve. Used w/Waukesha engine.
26.8360	1	2327337	GASKET-compressor oil level sight glass-Used w/Continental engine.

26.8360	2	2146307	GASKET-compressor oil level sight glass-used w/Waukesha engine.
26.8365	1	2282123	GASKET-compressor rotor shaft front cover-seal. Used w/Waukesha engine.
26.8370	1	2226610	GASKET-compressor valve-discharge valve. Connection. Used w/Waukesha engine.
26.8370	1	2328204	GASKET-compressor valve-discharge valve to housing. Used w/Continental engine.
26.8370	1	2356127	GASKET-compressor valve-discharge valve to housing. Used w/Continental engine. Effective w/1566.
26.8370	1	2333061	GASKET-compressor valve-suction valve cap to body. On housing.
26.8370	1	2333063	GASKET-compressor valve-suction valve adapter to body. On housing.
26.8370	1	2333577	GASKET-compressor valve-discharge valve cap to body. On housing prior to 1566.
26.8370	1	2140541	GASKET-compressor valve-oil charging valve.
26.8370	1	2333577	GASKET-compressor discharge valve-cap. On housing used w/Continental engine.
26.8373	1	2386338	GLAND-compressor valve packing-suction valve on housing eff. w/chassis #1566.
26.8375	1	2327336	GLASS-sight, compressor oil level-used w/Continental engine.
26.8375	1	2237054	GLASS-sight, compressor oil level-used w/Waukesha engine.
26.8377	1	2327321	HEAD-compressor-crankshaft bearing. Incl. plug & thrust washer. Used w/Continental engine.
26.8377	3	2327344	HEAD-compressor-cylinder. Bolt 7/16-14 x 1 3/4 hex hd. Used w/Continental engine.
26.8378	1	2327335	HOUSING-compressor-used w/Continental engine.
26.8380	1	2282118	HUB-coupling, compressor-stpd. Y-14294-D. Disc type. Incl. pin. Used w/Waukesha engine.
26.8385	1	113782	KEY-compressor rotor-1/4 x 1 in. Used w/Waukesha engine.
26.8385	1	103462	KEY-compressor rotor-3/16 x 1 in. Used w/Waukesha engine.
26.8390	1	2328206	KEY-compressor crankshaft-used w/Continental engine.
26.8395	AR	2224978	LINE-compressor 5/16 OD. Copper. 25 ft. CTL. Used w/Waukesha engine.
26.8395	1	2327348	LINE-compressor-oil discharge. Used w/Continental engine.
26.8395	1	2254188	LINE-compressor-oil supply. Finned. Used w/Waukesha engine.
26.8397	3	2328225	LINER-compressor cylinder-used w/Continental engine.
26.8400	2	2128083	NUT-compressor valve-check valve 1/4-28. Used w/Waukesha engine.
26.8405	1	2128066	NUT-compressor oil level sight glass-used w/Waukesha engine.
26.8410	2	137398	NUT-oil line-5/16 inv. fl. used w/Waukesha engine.
26.8415	1	2127443	NUT-compressor rotor-end. 3/4-16 hex. hd. Used w/Waukesha engine.
26.8418	1	2386339	PACKING-compressor valve-suction valve on hsg. eff. w/chassis #1566.
26.8420	4	2282121	PIN-compressor coupling hub-straight. .431 dia. used w/Waukesha engine.
26.8425	6	2318868	PIN-compressor flywheel-1/2 dia. x 2-3/16 long. w/Continental engine.
26.8430	1	141195	PIN-dowel, bearing cover-rear bearing, 1/4 in. dia. x 5/8 in. long. Used w/Waukesha engine.
26.8435	1	141195	PIN-dowel, compressor cylinder-1/4 dia. x 5/8 long. Used w/Waukesha engine.
26.8437	3	2328220	PISTON-compressor-incl. pin. Used w/Continental engine.
26.8438	1	2328210	PLATE-compressor-closure. At drive end. Used w/Continental engine.
26.8438	1	2328209	PLATE-compressor-retaining, foam breaker.
26.8438	3	2328229	PLATE-compressor-suction valve. Used w/Continental engine.
26.8440	2	118831	PLUG-compressor-check valve. 1/8-27 sl. hdls. pipe. Used w/Waukesha engine.
26.8440	1	NPN	PLUG-compressor-discharge valve. 3/8 in. pipe. Used w/Waukesha engine. Procure locally.
26.8440	1	2333575	PLUG-compressor-discharge valve on hsg. Used w/Continental engine. Prior to 1566.
26.8440	1	2146310	PLUG-compressor-drain, discharge valve. Magnetic. Used w/Waukesha engine.
26.8440	1	118831	PLUG-compressor-on housing. 1/8-27 sl. hdls. pipe. Used w/Continental engine.
26.8443	1	2327328	PUMP-oil, compressor-used w/Continental engine.
26.8445	1	2146304	RACE-compressor rotor shaft front bearing-inner. Used w/Waukesha engine.
26.8446	3	2327346	RING-compressor-O, cylinder head. used w/Continental engine.
26.8446	1	2333067	RING-compressor-O, bearing head. Used w/Continental engine.
26.8446	3	2328226	RING-compressor-O, cylinder liner. Used w/Continental engine.
26.8446	1	2327338	RING-compressor-O, oil level sight glass. Used w/Continental engine.
26.8446	1	2328201	RING-compressor-O, front hand hole cover. Used w/Continental engine.
26.8446	1	2327340	RING-compressor-O, oil seal cover. Used w/Continental engine.
26.8446	1	2328205	RING-compressor-O, to housing. Used w/Continental engine.
26.8450	1	2146305	RING-lock, compressor rotor shaft bearing-front bearing. Used w/Waukesha engine.
26.8450	1	2146306	RING-lock, compressor rotor shaft bearing-front bearing. Race. Used w/Waukesha engine.
26.8455	1	2128053	RING-packing, front cover-used w/Waukesha engine.
26.8457	1	2327339	RING-retaining, compressor-oil level sight glass. Used w/Continental engine.
26.8457	AR	2328228	RING-retaining, compressor-suction valve plate. Used w/Continental engine.

26.8457	1	2327342	RING-retaining, compressor-thrust bearing, used w/Continental engine.
26.8457	8	274267	RING-piston pin retaining-repl. 2328224.
26.8460	1	2226609	RING-retainer, rotor shaft bearing-rear bearing. Used w/Waukesha engine.
26.8460	1	2128063	RING-snap, compressor inlet screen-inner. Used w/Waukesha engine.
26.8460	1	2128064	RING-snap, compressor inlet screen-outer. Used w/Waukesha engine.
26.8461	3	2333065	RING SET-compressor piston-consists of 2 compression & 1 oil ring.
26.8463	3	2328223	ROD-connecting, compressor-used w/Continental engine.
26.8465	1	2226606	ROTOR-compressor-hi pressure. Used w/Waukesha engine.
26.8465	1	2226605	ROTOR-compressor-low pressure. Used w/Waukesha engine.
26.8470	1	2226611	SCREEN-compressor-discharge valve. Used w/Waukesha engine.
26.8470	1	2128062	SCREEN-compressor-inlet. Used w/Waukesha engine.
26.8475	1	2127440	SCREEN-oil, compressor-used w/Waukesha engine.
26.8480	1	2282122	SEAL-compressor rotor shaft-w/flange. Used w/Waukesha engine.
26.8483	1	2327322	SEAL-oil, compressor-used w/Continental engine.
26.8485	1	2226617	SEAL-oil, rotor shaft bearing-rear bearing. Used w/Waukesha engine.
26.8490	1	2128074	SEAT-compressor-check valve. Used w/Waukesha engine.
26.8490	3	2328233	SEAT-compressor-discharge valve. Used w/Continental engine.
26.8495	1	2226602	SHELL-compressor-used w/Waukesha engine.
26.8500	1	2127446	SPACER-compressor rotor shaft bearing-rear bearing. Used w/Waukesha engine.
26.8505	1	2128073	SPRING-compressor-check valve. Used w/Waukesha engine.
26.8505	3	2327345	SPRING-compressor-cylinder head. Used w/Continental engine.
26.8505	12	2328235	SPRING-compressor-discharge valve. Used w/Continental engine.
26.8505	1	2226612	SPRING-compressor-discharge valve screen. Used w/Waukesha engine.
26.8505	12	2379486	SPRING-compressor-suction valve. Used w/Continental engine.
26.8510	1	2127448	SPRING-retainer, rotor shaft bearing-rear bearing. Used w/Waukesha engine.
26.8513	1	2128072	STEM-compressor check valve-used w/Waukesha engine.
26.8515	1	2327331	STRAINER-compressor-gas. Used w/Continental engine.
26.8515	1	2327327	STRAINER-compressor-oil. Bolt 1/4-28 x 5/8 hex. hd. Used w/Continental engine.
26.8520	1	2159997	STUD-compressor to engine-3/8-16, 3/8-16 x 1-7/8. W/Waukesha engine.
26.8520	1	2127645	STUD-compressor to engine-3/8-16, 3/8-16 x 1-1/2. W/Waukesha engine.
26.8520	1	2127644	STUD-compressor to engine-3/8-16, 3/8-16 x 1-5/16. Used w/Waukesha engine.
26.8520	2	2227837	STUD-compressor to engine-3/8-16, 3/8-16 x 2-3/16. Used w/Waukesha engine.
26.8525	1	2328202	VALVE-compressor-oil charging. Used w/Continental engine.
26.8525	2	2327332	VALVE-compressor-gas check. Incl. ring. Used w/Continental engine.
26.8525	1	2327317	VALVE-compressor-oil check. Used w/Continental engine. Incl. ring.
26.8525	3	2328231	VALVE-compressor-discharge. In cylinder. Used w/Continental engine.
26.8525	1	2321072	VALVE-compressor-discharge. On housing. Incl. body, plug, cap & gasket. Used w/Continental engine. Prior to 1566.
26.8525	1	2344297	VALVE-compressor-discharge-on housing. Incl. cap & gasket. Eff. w/1566.
26.8525	1	2226613	VALVE-compressor-discharge. Shut-off. Used w/Waukesha engine.
26.8525	1	2226620	VALVE-compressor-inlet. Shut-off. Used w/Waukesha engine.
26.8525	1	2327318	VALVE-compressor-relief. Used w/Continental engine. Incl. spring.
26.8525	3	2328227	VALVE-compressor-suction. In cylinder. Used w/Continental engine.
26.8525	1	2398307	VALVE-compressor-suction. On housing. Used w/Continental engine. Prior to 1566.
26.8525	1	2346876	VALVE-compressor-suction-on housing. Eff. w/1566.
26.8530	10	2226608	VANE-compressor rotor-hi pressure. Used w/Waukesha engine.
26.8530	10	2226607	VANE-compressor rotor-low pressure. Used w/Waukesha engine.
26.8540	1	2328207	WASHER-compressor-crankshaft. 29/64 ID x 1-1/2 OD x 9/32 in. thk. Used w/Continental engine.
26.8540	1	2128078	WASHER-compressor-discharge valve. 7/8 in ID x 1-3/32 OD x 1/32 in. thk. Used w/Waukesha engine.
26.8540	1	2386340	WASHER-compressor-suction valve on hsg. Eff. w/Chassis #1566.
26.8540	1	2128078	WASHER-compressor-discharge valve drain plug 7/8 in. ID x 1-3/32 in. OD x 1/32 thk. Used w/Waukesha engine.
26.8540	12	2128057	WASHER-compressor-front bearing cover bolt. 3/8 in. ID x 17/32 in. OD x 1/32 in. thk. Used w/Waukesha engine.
26.8540	1	2128076	WASHER-compressor-upper. Check valve seat. 1/4 in. ID x 15/16 OD x 1/16 thk. Used w/Waukesha engine.
26.8540	1	2128075	WASHER-compressor-lower. Check valve seat. 1/4 in. ID x 1-5/16 OD x 3/16 thk. Used w/Waukesha engine.
26.8540	1	2360884	WASHER-compressor-thrust. Bearing head.
26.8545	1	2146308	WASHER-follower, oil level sight glass-1-3/8 ID x 1.911 OD x 9/16 thk. Used w/Waukesha engine.

AIR CONDITIONING CONDENSER & RECEIVER

26.9140	1	2343175	CONDENSER-air conditioning-coil-eff. w/1566
26.9145	1	2317611	RECEIVER-air conditioning Freon-bolt 5/16-24 x 3/4 hex. hd. Used w/Continental engine. Prior to 1566.
26.9145	1	2388506	RECEIVER-air conditioning Freon-Incl. fuse plug, O ring, ring nut & glass fused.
26.9150	AR	R33717	ANGLE-air cond. condenser stop link-rivet 5/16 x 5/8 mush. hd.
26.9155	2	2343898	BEARING-air cond. condenser pillow block-part of fan. Repl. 2322745.
26.9160	4	2322129	BELT-air cond. condenser fan-drive. Used w/Continental engine prior to chassis #1301.
26.9160	1	2332457	BELT-air cond. condenser fan-drive. Used w/Continental engine. Eff. w/chassis #1301. Repl. 2331190.
26.9160	1	2306664	BELT-air cond. condenser fan-drive. Used w/Waukesha engine.
26.9165	6	2298391	BOLT-eye, air cond. condenser fan deflector panel-5/16-24 x 3-5/8. Used w/Continental engine.
26.9170	2	2305298	BOLT-air cond. condenser stop link-3/8-24 x 3/4 hex. hd.
26.9170	1	2305572	BOLT-air cond. condenser stop link-to frame. 3/8-24 x 1-5/8 hex. hd.
26.9180	2	2298704	BOLT-swing, air cond. condenser-w/pin welded.
26.9185	2	2298708	BRACKET-air cond. condenser swing. bolt-rivet 1/4 x 9/16 mush. hd.
26.9190	1	2296569	BRACKET-hinge, air conditioning condenser-bolt 5/16-24, 5/16-28 x 5/8, 5/16-24 x 3/4 hex. hd.
26.9195	1	2305293	CHANNEL-air conditioning condenser-support. Upper. Rivet 3/16 x 7/16 mush. hd.
26.9195	1	2305292	CHANNEL-air conditioning condenser-support. Lower. Rivet 3/16 x 7/16 mush. hd.
26.9197	6	2253288	CLIP-condenser fan shroud deflector panel-used w/Continental engine.
26.9200	1	2303604	DEFLECTOR-air, air conditioning condenser fan-side.
26.9200	1	2302690	DEFLECTOR-air, air conditioning condenser fan-upper.
26.9200	1	2302691	DEFLECTOR-air, air conditioning condenser fan-lower.
26.9205	1	2297953	FAN-air conditioning condenser-complete. Bolt 1/4-28 x 3/4. Used w/Waukesha engine.
26.9205	1	2337799	FAN-air conditioning condenser-complete. Bolt 1/4-28 x 3/4 hex. hd. Used w/Continental engine. Repl. 2316959, 2331187.
26.9205	1	2322759	FAN-air conditioning condenser-less shroud. Part of 2316959. Repl. 2318055.
26.9210	1	2318061	GASKET-air conditioning condenser fan & shroud-part of fan.
26.9215	2	2327449	GASKET-air conditioning Freon receiver sight glass-used w/Continental engine.
26.9215	2	2146307	GASKET-air conditioning Freon receiver sight glass-used w/Waukesha engine.
26.9220	2	2318062	GASKET-retaining, air cond. condenser fan-side strip. Part of fan.
26.9220	1	2318063	GASKET-retaining, air cond. condenser fan-top strip. Part of 2297963.
26.9220	1	2322764	GASKET-retaining, air cond. condenser fan-top strip. Part of 2316959 & 2331187.
26.9225	2	2327448	GLASS-air cond. Freon receiver-sight. Used w/Continental engine. Part of 2343616, 2372640 receiver.
26.9225	2	NPN	GLASS-air cond. Freon receiver-sight. Used w/Continental engine fused type. See nut in group 26.9240.
26.9225	2	2237054	GLASS-air cond. Freon receiver-sight. Used w/Waukesha engine.
26.9230	1	2318056	KEY-air cond. condenser fan-part of 2297953 fan.
26.9230	1	2318060	KEY-air cond. condenser fan-pulley. Part of 2297953 fan.
26.9230	2	2322762	KEY-air cond. condenser fan-fan & pulley. Used w/Continental engine.
26.9235	2	2298357	LINK-stop, air conditioning condenser.
26.9240	2	2327450	NUT-air cond. Freon receiver sight glass-non-fused. 1-3/8 ID x 1-7/8 OD x 7/16 in. thk. w/4 slots.
26.9240	2	2388877	NUT-air cond. Freon receiver sight glass-w/fused sight glass. Used w/Continental engine. Part of 2388506 receiver.
26.9250	2	2298904	NUT-wing, air conditioning condenser-w/washer welded.
26.9253	2	2375807	O RING-air cond. Freon receiver sight glass. Part of 2372640 tank.
26.9253	2	2388878	O RING-air cond. Freon receiver sight glass. Part of 2388506 tank.
26.9255	2	2318064	PAD-mounting, air cond. condenser fan bearing-Part of fan.
26.9260	6	2323189	PANEL-deflector, air cond. condenser fan shroud-used w/Continental engine.
26.9265	1	2381346	PLUG-air cond. Freon receiver-fusible. Part of 2343616, 2372640, 2388506.
26.9270	1	2318059	PULLEY-air cond. condenser fan-part of 2297953 fan-prior to chassis #601.
26.9270	1	2322761	PULLEY-air cond. condenser fan-part of 2316959 fan-601-1300. w/Continental engine.

26.9270	1	2331188	PULLEY-air cond. condenser fan-eff. w/chassis #1301. W/Continental engine.
26.9275	AR	R33229	RETAINER-air cond. condenser fan deflector seal-3 ft. reqd.
26.9280	1	2318053	RING-orifice, air cond. condenser fan-part of fan.
26.9285	2	2318057	RING-retaining, air cond. condenser fan-part of 2297953 fan.
26.9290	1	2224708	SEAL-air cond. condenser fan deflector-side. 70 in. long-CTL.
26.9290	AR	R30425	SEAL-air cond. condenser fan deflector-upper & lower. 3 in. reqd. S.B.F.
26.9295	1	2318054	SHAFT-air cond. condenser fan & shroud-part of 2297953 fan.
26.9295	1	2322760	SHAFT-air cond. condenser fan & shroud-part of 2316959 & 2331187 fan.
26.9300	4	2322763	SHIM-air cond. fan bearing-part of 2316959 & 2331187 fan.
26.9305	1	2318052	SHROUD-air cond. condenser fan-part of 2297953 fan. Part of 2297953 fan.
26.9305	1	2322758	SHROUD-air cond. condenser fan-part of 2316959 & 2331187 fan.
26.9310	6	2304268	SPACER-air cond. condenser fan deflector panel eye bolt-11/32 ID x 1 in. OD x 11/32 thk. Used w/Continental engine.
26.9315	2	2298707	SPRING-air conditioning condenser swing bolt.
26.9320	6	2304006	SPRING-air conditioning condenser fan deflector panel eye bolt- Used w/Continental engine.
26.9325	1	2319451	SUPPORT-air cond. condenser fan & shroud-incl. angle.
26.9330	2	2299950	WASHER-follower, air cond. Freon receiver sight glass-1-3/8 ID x 1.911 OD x 5/16 in. thk.

NOTE: See water pump group for fan hub, Adj. flange and hub key.
Used w/Continental engine.

AIR CONDITIONING DEHYDRATOR & STRAINER

26.9340	F	2315443	DEHYDRATOR-air conditioning-w/strainer. Repl. 2300957 & 2319972. Prior to chassis #1301.
26.9345	1	2315444	CARTRIDGE-air conditioning dehydrator-1-55/64 OD. Used w/2315443. Prior to chassis #1301.
26.9345	1	2330561	CARTRIDGE-air conditioning dehydrator-drier. 2-1/2 OD. Used w/Continental engine. Eff. w/chassis #1301.
26.9345	1	2300958	CARTRIDGE-air cond. dehydrator-1-13/16 OD used w/2300957. Prior to chassis #1301.
26.9350	1	2327379	CYLINDER-dehydrator-safety. Part of 2315443.
26.9355	1	2304657	FLANGE-dehydrator-Freon liquid line.
26.9355	1	2327381	FLANGE-dehydrator-upper. Part of 2315443.
26.9360	1	2327380	GASKET-dehydrator flange-part of 2315443.
26.9363	1	2331001	LINE-Freon-w/drier. Eff. w/chassis #1301 thru 1565.
26.9363	1	2343496	LINE-Freon-w/drier. Eff. w/1566.
26.9365	1	2327383	O RING-dehydrator safety cylinder-part of 2315443.
26.9370	1	2327382	SPRING-dehydrator cartridge-part of 2315443.

AIR CONDITIONING EVAPORATOR

26.9380	1	2293496	EVAPORATOR-air conditioning-coil. Incl. bowl, dome, guide, ring & seal. Prior to 1566.
26.9380	1	2343174	EVAPORATOR-air conditioning-coil. Incl. cage, power & gaskets. Eff. w/1566.
26.9382	1	2360335	KIT-air cond. evaporator-power. Consist of 1 power ASM, 2 flange gaskets, 2 seat gaskets, 2 cap screws, 1 leaf spring and 1 tube of thermomastic.
26.9385	2	2304216	BOLT-mounting, air cond. Evaporator.
26.9390	2	2304201	BOWL-drain, air cond. evaporator.
26.9395	1	2315422	CAGE-air cond.-evaporator expansion valve. Incl. gaskets.
26.9400	2	2304247	DOME-air cond. evaporator drain trap.
26.9405	2	2128143	GASKET-air cond. evaporator expansion valve-flange. Valve cage.
26.9405	1	2242981	GASKET-air cond. evaporator expansion valve-seat. Valve cage.
26.9410	1	2308947	GUIDE-air cond. evaporator-screw #10-32 x 1/2 pan. hd.
26.9412	1	1463214	NUT-flared, air conditioning evaporator. Eff. w/1566.
26.9415	1	NPN	POWER-air cond. evaporator expansion valve. See group 26.9382.
26.9420	2	2304251	RING-retainer, air cond. evaporator chain seal. Screw #10-32 x 5/8 pan hd.
26.9425	12	2227844	RIVNUT-air cond. evaporator-seal & retainer ring to lower floor screw.
26.9428	2	2242982	SCREW-air cond. evaporator expansion valve power.
26.9430	2	2304250	SEAL-air cond. evaporator drain.

AIR CONDITIONING REFRIGERANT PIPES,
HOSES AND FITTINGS

26.9445	1	2304656	PIPE-Freon liquid-dehydrator. W/Waukesha engine.
2619447	1	2368037	BALL-oil separator float-w/lever.
26.9450	AR	2225688	BOLT-refrigerant flange-1/4-20 x 1-1/8 socket hd., prior to 1566.
26.9460	1	2305797	BRACKET-support, liquid line-to blower compt. Upper floor.
26.9465	AR	2119486	CAP-seal, pressure cut out switch. Refrigerant hose.
26.9475	1	2305256	CLAMP-refrigerant hose-condenser. To oil separator.
26.9485	1	2219604	CLIP-refrigerant hose-to support bracket.
26.9495	1	2299243	ELBOW-compressor valve-suction. Used w/Waukesha engine.
26.9495	1	2318872	ELBOW-compressor valve-suction. Used w/Continental engine.
26.9495	1	2119535	ELBOW-compressor valve-discharge. For use w/3/4 in. line. 90 degrees. Prior to 1566.
26.9495	1	2343493	ELBOW-compressor valve-discharge. Used w/Continental engine. Eff. w/1566.
26.9510	1	118753	ELBOW-refrigerant hose-at compressor. 1/4 x 1/8 fl., 90 degrees.
26.9515	1	2218906	FLANGE-compressor valve elbow-suction. 1-11/16 in. long. 6 holes. Used w/Waukesha engine.
26.9515	1	2218905	FLANGE-compressor valve elbow-suction. Used w/Continental engine. 2 in. dia. w/six 17/64 dia. bolt holes. Prior to 1566.
26.9515	1	2343902	FLANGE-compressor valve elbow-suction. Used w/Continental engine. Eff. w/1566.
26.9515	1	2121864	FLANGE-compressor valve elbow-discharge. 2-1/2 dia. w/six 1/4-20 tapped bolt holes. Prior to 1566.
26.9515	1	2343903	FLANGE-compressor valve elbow-discharge. Used w/Continental engine. Eff. w/1566.
26.9530	AR	2123469	GASKET-air cond. refrigerant hose flange-2-1/2 dia.. Prior to 1566.
26.9532	1	2368040	GASKET-oil separator head.
26.9535	AR	2127829	GASKET-pressure cut out switch hose seal cap.
26.9545	AR	2224976	HOSE-refrigerant-pressure cut-out switch. High side. 1/4 OD. 1 ft. reqd. S.B.F. Used w/Waukesha engine. Repl. R-31092.
26.9545	2	2303935	HOSE-refrigerant-pressure cut-out switch. Low side. 19-3/4 in. long. Used w/Waukesha engine.
26.9545	1	2313059	HOSE-refrigerant-compressor to oil separator 23-1/2 in. long, w/swivel type flange. Used w/Waukesha engine. Repl. 2225939.
26.9545	1	2313068	HOSE-refrigerant-compressor to receiver. 30 in. long, w/swivel type flange. Used w/Waukesha engine. Repl. 2298625.
26.9545	1	2313067	HOSE-refrigerant-oil separator to condenser. 40-1/4 in. long, w/swivel type flange. Used w/Waukesha engine. Repl. 2298684.
26.9545	1	2319327	HOSE-refrigerant-compressor to condenser. 31-3/4 in. long. Used w/Continental engine. Prior to 1566.
26.9545	1	2343647	HOSE-refrigerant-compressor to condenser. 31-31/32 long. Used w/Continental engine. Eff. w/1566.
26.9545	1	2319329	HOSE-refrigerant-suction valve to pressure cut out switch. 21 in. long. Used w/Continental engine.
26.9545	1	2319326	HOSE-refrigerant-condenser to receiver. 36-3/8 in. long. Used w/Continental engine. Prior to 1566.
26.9545	1	2343634	HOSE-refrigerant-condenser to receiver. 35-13/32 long. Used w/Continental engine. Eff. w/1566.
26.9545	1	2319328	HOSE-refrigerant-discharge valve to pressure cut out switch. 17 in. long. Used w/Continental engine.
26.9545	1	2299920	HOSE-air cond. suction-34-5/8 in. long. Used w/Waukesha engine.
26.9545	1	2316789	HOSE-air cond. suction-28-7/8 in. long. Used w/Continental engine. Prior to 1566.
26.9545	1	2343648	HOSE-air cond. suction. 28-15/32 long. Used w/Continental engine. Eff. w/1566.
26.9565	AR	2378672	LOOM-liquid pipe-at clip. 11/16 ID. 25 ft. roll-CTL.
26.9568	1	2368041	NEEDLE-oil separator float valve.
26.9570	2	2303787	RETAINER-seal, refrigerant hose.
26.9575	2	2243272	RIVNUT-refrigerant hose-condenser hose clamp screw. 5/8 in. long. Prior to chassis #1301.
26.9575	4	2227844	RIVNUT-refrigerant hose-seal & retainer to bulkhead screw. 7/16 in. long.
26.9575	4	2226070	RIVNUT-refrigerant hose-seal & retainer to bulkhead screw. 1/2 in. long.
26.9575	2	2227844	RIVNUT-refrigerant hose-support bracket screw-7/16 in. long. Prior to 1566.

26.9578	1	2368038	SCREEN-oil separator-inlet.
26.9578	1	2368039	SCREEN-oil separator-outlet.
26.9585	2	2303786	SEAL-refrigerant hose.
26.9585	2	2344328	SEAL-condenser to receiver refrigerant hose. 5/8 ID, 3/4 OD O-Ring. Used w/Continental engine. Eff. w/1566.
26.9585	2	2344327	SEAL-refrigerant suction hose. 1/2 ID, 5/8 OD O-Ring. Used w/Continental Engine. Eff. w/1566.
26.9585	4	2344329	SEAL-refrigerant suction hose and compressor to condenser hose. 7/8 ID, 1 OD O-Ring. Used w/Continental engine. Eff. w/1566.
26.9600	2	NPN	TEE-air cond. compressor valve-suction & discharge. 1/4 x 1/8 fl., 2-way. Proc. Loc.

IMPORTANT: Refer to your Final Vehicle Record for Assemblies and Special Equipment (SL's) used on each vehicle.

NUMERICAL INDEX

Part No.	Group No.	Part No.	Group No.	Part No.	Group No.	Part No.	Group No.	Part No.	Group No.
SN 2527	17 1783	R 35168	26 2615	075911	8 5803	103907	16 3080	113935	20 0630
SN 6490	25 1773	R 35294	5 0655	077158	4 4940	103907	17 2175	114487	20 0380
NPN	4 3345	R 35295	17 3125	077360	5 0250	103907	20 0380	114496	20 0470
NPN	4 3585	R 35451	25 4383	077640	8 5505	103909	5 0619	114547	20 0460
NPN	4 3644	R 35513	25 1385	080386	16 3330	103909	20 0380	114548	20 0460
NPN	4 5225	R 35516	25 3860	080388	16 3240	104055	20 0680	114604	20 0810
NPN	4 6370	R 35518	26 2665	080755	16 0857	104069	20 0680	114622	20 0350
NPN	4 6410	R 35543	7 4905	082985	18 0140	104089	20 0680	114624	20 0720
NPN	8 1205	R 35543	7 4965	085577	17 0440	104120	20 0680	114627	20 0400
NPN	14 0124M	R 35543	7 8275	085986	18 0415	104236	20 0645	114627	26 5280
NPN	14 0151P	R 35543	25 0223	085987	18 0495	104917	8 2470	114628	4 6423
NPN	16 5092	R 35581	25 1500	085989	18 0495	104917	20 0010	114628	6 3078
NPN	25 4305	R 35590	25 6115	085992	18 0160	104918	20 0010	114628	20 0720
NPN	25 4945	R 35591	7 7390	085993	18 0250	104919	20 0010	114628	26 5293
NPN	25 7055	R 35596	25 8513	088416	4 5516	104919	26 6945	114630	20 0400
NPN	25 7113	R 35617	25 7320	088636	17 0425	104920	16 4018	114631	20 0720
NPN	25 7120	R 35631	25 8130	088640	5 0056	104920	17 2653	114795	20 0190
NPN	25 7790	R 35634	25 7107	088641	5 0192	104920	20 0010	114796	20 0190
NPN	25 8120	R 35636	16 0200	088649	5 0150	104922	16 4018	114797	20 0260
NPN	25 8350	R 35679	26 2835	088945	5 0084	104922	20 0010	114861	20 0010
NPN	26 5210	R 35714	25 7220	088947	5 0123	104924	20 0010	114962	20 0730
NPN	26 6980	R 35939	25 8140	093104	17 2540	105046	20 0250	114963	20 0730
NPN	26 7030	R 35956	25 7220	093143	4 7458	105450	20 0350	114964	20 0730
NPN	26 8440	R 36376	25 4125	093719	17 1300	105451	20 0350	114965	20 0730
NPN	26 9225	001424	7 5960	093978	8 5293	105453	20 0350	114981	6 2845
R 15067	25 7220	001496	26 6020	094095	14 0615	105456	8 3630	114981	20 0180
R 30425	26 9290	001535	7 5960	094606	7 6965	105456	20 0350	114981	25 6367
R 30643	26 6970	024754	7 6220	098907	4 5283	105602	20 0620	115056	20 0770
R 30929	26 7020	024754	26 5685	098909	4 5410	105603	20 0620	115058	20 0770
R 31117	7 7349	030205	7 4881	098910	4 5573	106653	20 0340	115273	20 0130
R 31159	25 7320	032898	7 2765	099159	5 0840	106701	2 0860	115371	20 0370
R 31189	25 4780	035812	7 3720	099572	18 0270	106731	20 0640	115527	20 0010
R 31224	16 3235	037535	26 5355	102873	20 0710	106749	16 4880	115548	20 0815
R 31687	25 7193	037972	25 6778	103026	14 0180	106749	20 0380	115772	20 0460
R 32126	25 3910	038182	25 6638	103026	20 0460	106749	26 5815	115773	20 0460
R 32126	25 4310	038273	7 2140	103319	20 0820	106749	26 7265	116103	20 0795
R 32207	25 3130	041809	25 6842	103321	16 5090	106750	20 0380	116383	8 5895
R 32207	25 4380	042432	14 0820	103321	20 0820	106750	26 6770	116383	20 0830
R 32218	25 3066	042455	25 6610	103361	20 0550	106750	26 6775	116452	20 0420
R 32296	25 4310	042663	25 6947	103363	20 0550	106793	20 0180	116452	25 8715
R 32351	25 4310	049681	25 6600	103374	20 0550	106794	20 0180	117142	20 0340
R 32472	25 2185	053688	8 2970	103376	20 0550	107323	17 0497	117244	4 0991
R 32472	25 2330	054989	4 6395	103378	20 0550	107762	20 0550	117244	4 3585
R 32667	26 2625	055118	26 7560	103385	20 0550	107816	20 0530	117244	4 5440
R 32699	25 6055	055390	8 5340	103387	20 0550	107823	20 0530	117244	4 6420E
R 32753	25 2745	057108	8 4807	103389	20 0550	108579	20 0820	117244	8 0510
R 32753	25 4310	058723	17 2460	103411	20 0550	108666	20 0570	117244	8 1640
R 32753	26 2630	059101	4 6807	103426	20 0550	108667	20 0570	117244	8 4470
R 32760	25 0760	060116	12 4165	103462	20 0380	109407	20 0370	117244	16 3105
R 32760	25 3910	060129	16 5070	103462	26 8385	109413	20 0370	117244	20 0630
R 32760	25 4310	060129	26 5495	103573	20 0600	109413	26 4965	117244	25 7279
R 32797	25 4310	060141	6 1960	103577	20 0600	109419	20 0370	117244	25 7555
R 32822	25 4310	060504	7 3686	103578	20 0600	109426	20 0737	117244	26 7050
R 32870	26 4815	061553	8 5995	103623	20 0600	109429	20 0270	117244	26 7710
R 32874	25 0760	062632	6 1960	103642	20 0130	110185	20 0130	117612	20 0620
R 32895	25 7320	062633	6 1960	103646	20 0380	110289	20 0270	117917	20 0620
R 32975	25 0715	063082	16 3160	103647	20 0180	110322	20 0830	117918	20 0620
R 33114	26 5260	063139	26 8260	103647	26 5215	110322	26 7490	117919	20 0620
R 33220	25 4310	064079	8 5293	103692	20 0590	110491	20 0020	117923	20 0620
R 33229	26 9275	064443	8 4190	103693	20 0590	110740	20 0590	117957	20 0360
R 33253	25 4125	064444	8 4160	103707	20 0590	110740	25 5527	117957	25 7500
R 33261	25 6040	064446	8 4130	103710	20 0590	110770	20 0600	117957	26 5253
R 33347	25 1325	064681	12 4165	103722	20 0590	110803	20 0680	117957	26 7430
R 33347	26 2625	065878	17 0165	103733	20 0590	111683	20 0110	117959	7 8310
R 33558	25 3040	066325	8 5995	103739	20 0590	111843	20 0600	117959	20 0360
R 33558	25 4383	068904	18 0430	103889	20 0620	112012	20 0590	117959	26 7660
R 33594	25 7750	069182	5 0091	103890	20 0620	112044	20 0590	117971	6 1744
R 33613	25 7830	069183	5 0006	103891	20 0620	112139	5 0619	117971	20 0360
R 33646	25 0895	069183	5 0010	103892	4 0805	112139	20 0380	117972	20 0360
R 33646	25 4745	069184	5 0006	103892	20 0620	112734	20 0360	117977	20 0380
R 33717	25 4310	069184	5 0010	103892	26 5035	112877	20 0140	117982	6 2540
R 33717	26 9150	069185	5 0195	103892	26 5445	112877	25 8665	117982	20 0380
R 33732	25 0763	069186	5 0081	103895	20 0620	112877	26 7545	117988	20 0380
R 33746	25 7830	069187	5 0105	103895	26 6260	112983	20 0710	117991	20 0380
R 33771	25 7320	071853	4 6385	103896	20 0620	113249	2 1220	117995	20 0380
R 33834	25 4310	072541	6 1555	103896	26 6450	113250	19 0230	117998	20 0380
R 33889	25 2105	072541	12 0120	103899	20 0620	113500	20 0600	118001	20 0380
R 34266	25 0590	072573	26 8240	103904	20 0380	113765	20 0660	118002	17 1470
R 35020	25 0793	073413	25 5183	103905	8 3705	113782	20 0380	118002	20 0380
R 35085	25 5040	074453	4 0633	103905	20 0380	113782	26 6675	118536	6 2130
R 35148	6 1760	074755	4 6776	103905	26 4975	113782	26 8385	118537	20 0420
R 35149	26 2725	075519	4 5465	103906	20 0380	113897	20 0350	118537	26 5280

118537	26	6105	120246	20	0250	124634	20	0460	131015	20	0795	138557	20	0815
118537	26	7690	120286	4	6417	124818	20	0470	131016	20	0795	138561	20	0815
118538	20	0420	120286	20	0390	124824	20	0470	131017	20	0795	138597	20	0800
118539	20	0420	120322	8	0435	124829	20	0470	131018	20	0795	139709	20	0700
118541	20	0420	120322	20	0140	124847	20	0470	131019	20	0795	140381	20	0420
118587	19	0230	120322	26	6155	124920	20	0470	131044	20	0820	140682	20	0420
118588	19	0240	120361	20	0440	124925	20	0470	131046	20	0820	141036	20	0690
118748	6	1545	120367	20	0460	124929	26	4995	131047	20	0820	141113	20	0560
118748	6	2855	120368	20	0460	124934	20	0470	131048	20	0820	141118	20	0560
118748	8	4650	120369	20	0460	124939	20	0470	131099	20	0820	141139	20	0560
118748	20	0210	120371	20	0460	124944	20	0470	131100	20	0820	141163	20	0560
118748	25	8670	120375	20	0460	125215	20	0510	131101	20	0820	141195	20	0560
118748	26	5218	120376	20	0460	125224	20	0510	131139	20	0820	141195	26	8430
118748	26	7165	120377	20	0460	125233	20	0510	131140	20	0820	141195	26	8435
118748	26	7560	120378	20	0460	125250	20	0510	131141	20	0820	141279	20	0560
118749	20	0210	120380	20	0820	125258	20	0510	131144	20	0820	141281	20	0560
118750	20	0210	120382	20	0820	125267	20	0510	131146	20	0820	141329	20	0560
118750	26	5218	120383	20	0820	125339	20	0520	131296	20	0620	141346	8	1815
118750	26	6160	120384	20	0820	125348	20	0520	131718	20	0815	141346	20	0560
118751	20	0210	120386	20	0795	125357	20	0520	134512	20	0800	142067	20	0615
118752	16	5130	120388	20	0795	125366	20	0520	134530	20	0440	142303	20	0130
118752	20	0210	120388	20	0795	125375	20	0520	134551	20	0440	142306	20	0130
118753	5	0280	120390	20	0795	125384	20	0520	136301	20	0580	142311	20	0130
118753	20	0270	120392	20	0795	125388	20	0130	136857	20	0810	142359	20	0580
118753	26	5225	120393	20	0795	125629	20	0480	137156	20	0540	142431	20	0450
118753	26	7205	120394	20	0795	125643	20	0500	137281	20	0350	142432	20	0450
118753	26	7580	120395	20	0795	125653	20	0480	137320	19	0560	142432	26	7690
118753	26	9510	120396	20	0795	125654	20	0720	137398	20	0450	142433	20	0450
118754	20	0270	120401	5	0578	125698	20	0160	137398	26	7690	142433	26	5280
118754	26	6995	120401	6	2906	125735	20	0700	137398	26	8410	142434	20	0450
118755	20	0270	120401	26	7830	125859	20	0290	137404	20	0220	142435	20	0450
118755	26	5225	120413	19	0740	125921	7	8290	137404	26	7560	142449	20	0130
118755	26	6165	120423	20	0815	125921	20	0160	137405	8	4650	142450	7	0675
118756	20	0270	120430	20	0720	125921	26	5965	137405	14	0790	142450	7	4955
118757	20	0270	120488	20	0720	125928	20	0160	137405	20	0220	142450	20	0130
118800	20	0780	120521	7	8290	125949	20	0480	137405	26	7560	142451	20	0130
118800	25	8763	120521	20	0160	125990	20	0415	137406	20	0220	142454	7	1036
118801	20	0780	120522	20	0160	126177	20	0540	137406	26	7560	142454	7	1628
118802	12	0775	120522	25	7450	126183	20	0460	137407	20	0220	142454	7	1697
118802	20	0780	120522	26	7555	126189	20	0460	137408	20	0220	142454	7	1902
118831	4	0805	120523	7	8290	126335	20	0100	137409	6	1545	142454	20	0130
118831	4	3358	120523	14	0775	126416	20	0100	137409	20	0220	142454	26	6060
118831	4	3719P	120523	20	0160	126504	20	0100	137413	8	4650	142455	7	1697
118831	4	4921	120523	25	8667	126662	20	0100	137413	20	0790	142455	7	1902
118831	4	5435	120524	7	8290	126701	20	0100	137414	20	0790	142455	20	0130
118831	6	3034	120524	8	5329	126715	20	0100	137415	20	0790	142456	7	0675
118831	8	0510	120524	20	0160	126725	20	0100	137420	20	0300	142456	7	1812
118831	8	2095	120525	7	8290	126784	20	0100	137420	26	7580	142456	20	0130
118831	8	5967	120525	20	0160	127222	20	0100	137421	8	4660	142485	20	0580
118831	20	0630	120525	25	7055	127682	20	0800	137421	8	4667	142485	26	8125
118831	25	7555	120525	26	5205	127683	20	0800	137421	20	0300	142486	20	0580
118831	26	5035	120527	7	8290	127684	20	0800	137421	26	7210	142486	26	5605
118831	26	5625	120527	20	0160	127685	20	0800	137421	26	7580	142507	6	2250
118831	26	6235	120527	25	7450	127686	20	0800	137422	20	0300	142507	20	0580
118831	26	6815	120527	26	5965	127687	20	0810	137422	26	7580	142507	20	0580
118831	26	7295	120527	26	7555	127688	16	3180	137422	26	8335	142509	20	0580
118831	26	7390	120528	7	8290	127688	20	0800	137423	20	0300	142510	20	0580
118831	26	7700	120528	16	5110	127705	20	0490	137423	26	5230	142523	20	0580
118831	26	7940	120528	20	0160	127706	20	0490	137424	20	0300	142583	12	5660
118831	26	8135	120613	20	0470	127707	20	0490	137425	6	1570	142583	20	0735
118831	26	8440	120614	20	0440	127709	20	0490	137425	20	0300	142602	20	0580
118833	7	8166	120622	20	0440	127710	20	0490	137426	16	5150	142741	20	0615
118833	7	8310	120627	20	0310	127711	16	3100	137426	20	0300	142868	20	0390
118833	12	0550	120627	26	7200	127711	20	0490	137522	20	0230	143191	20	0620
118833	20	0360	120638	20	0820	127767	4	0615	137523	20	0730	143192	20	0620
119282	20	0010	120872	20	0170	127821	20	0690	137884	20	0390	143192	26	6260
119294	20	0130	120872	26	5205	127855	20	0480	138082	20	0610	143193	20	0620
119922	16	3040	120898	20	0820	127873	20	0410	138082	26	7455	143194	4	5440
119922	20	0140	120915	20	0100	127879	20	0160	138083	8	5871	143194	20	0620
119922	26	5190	120917	20	0100	127897	20	0710	138083	20	0610	143195	20	0620
119922	26	6065	121322	20	0720	127909	17	1330	138084	4	7215	143338	20	0290
119922	26	6960	121358	20	0460	127934	20	0130	138084	8	5533	143340	20	0290
119922	26	7160	121458	20	0795	127961	20	0320	138084	20	0610	143342	20	0300
119922	26	7545	121534	20	0730	127979	4	6400	138085	20	0610	143417	20	0480
119928	20	0140	121574	20	0820	127979	7	8310	138086	4	7215	143482	20	0740
119928	26	6960	121592	20	0510	127979	20	0360	138086	20	0610	143486	20	0740
119937	16	5163	121741	20	0610	128005	20	0735	138087	20	0610	143935	4	3358
119937	20	0350	121744	20	0820	128122	20	0470	138146	20	0610	143935	6	1865
119937	26	7015	121750	19	0230	128140	20	0140	138221	20	0115	143935	20	0630
120114	20	0340	121753	20	0810	128237	20	0100	138234	20	0115	143938	20	0630
120130	20	0720	121801	20	0815	128313	20	0120	138479	20	0810	143954	20	0630
120141	20	0420	121841	20	0820	128367	20	0120	138485	20	0810	143968	2	0120
120145	20	0320	124549	8	3705	128381	20	0120	138489	20	0810	143968	6	1865
120217	20	0820	124549	20	0380	128390	20	0120	138502	20	0810	143968	8	0510
120230	20	0100	124549	26	6770	128398	20	0120	138538	20	0815	143968	8	0660
120232	20	0170	124556	20	0380	128412	20	0120	138542	20	0815	143968	8	4465
120238	20	0470	124583	20	0460	128421	20	0120	138549	20	0815	143968	20	0630
120243	20	0730	124589	20	0460	128439	20	0120	138553	20	08			

143969	8	0510	157241	20	0070	179817	20	0050	181593	20	0050	186677	8	3525
143969	20	0630	157402	20	0070	179822	20	0050	181595	20	0050	186677	20	0050
143969	26	6235	157831	20	0125	179826	20	0050	181596	20	0050	186678	20	0050
143980	4	5043	159229	20	0080	179839	20	0050	181608	20	0050	186679	8	1250
143980	16	0770	159572	20	0080	179847	20	0050	181610	20	0050	186679	8	4390
143980	70	0630	159572	25	6798	179868	20	0050	181614	20	0050	186679	20	0050
143993	20	0630	159572	26	5460	180016	20	0050	181618	20	0050	186680	8	1490
144037	20	0140	159592	20	0080	180016	26	4870	181620	20	0050	186680	20	0050
144038	14	0470	159920	20	0080	180018	20	0050	181621	20	0050	186689	8	2190
144038	20	0140	159997	20	0080	180020	20	0050	181622	20	0050	186689	20	0050
144038	26	6155	160046	20	0080	180022	20	0050	181624	20	0050	186725	20	0050
144118	20	0310	160075	20	0080	180024	20	0050	181627	20	0050	187044	8	1275
144119	20	0310	160505	20	0080	180034	20	0050	181635	20	0050	187044	20	0050
144121	20	0310	160515	20	0080	180044	20	0050	181636	8	1490	187147	20	0050
144242	20	0830	160541	20	0080	180048	20	0050	181636	8	2515	187195	7	1274
144243	4	7480	160556	20	0080	180052	20	0050	181636	20	0050	187321	20	0220
144243	5	0960	160564	20	0080	180073	20	0050	181637	20	0050	187341	20	0600
144243	20	0830	160684	20	0080	180075	17	2105	181638	16	0315	187854	20	0010
144244	20	0830	160688	20	0080	180075	20	0050	181639	20	0050	187952	20	0020
144245	4	6000	161375	20	0040	180078	20	0050	181643	8	2160	188028	20	0130
144245	20	0830	161798	20	0090	180079	20	0050	181643	20	0050	189304	20	0050
144251	20	0830	161860	20	0090	180081	12	0433	181646	20	0050	189304	26	8070
144252	20	0830	161871	20	0090	180081	20	0050	181648	20	0050	189305	8	1275
144308	20	0420	161892	20	0090	180083	8	4400	181649	20	0050	189305	20	0050
144408	20	0230	161895	20	0090	180083	20	0050	181650	20	0050	189323	20	0050
144413	4	6423	161901	20	0090	180085	20	0050	181652	8	1275	189328	20	0050
144413	20	0730	162396	20	0075	180087	20	0050	181652	20	0050	189329	8	1275
144424	4	6423	162454	20	0075	180091	20	0050	181665	20	0050	189329	20	0050
144474	20	0330	162600	20	0040	180113	20	0050	181666	20	0050	189330	20	0050
144488	19	0550	164361	20	0360	180116	20	0050	181668	20	0050	189331	20	0050
144489	2	0850	167038	20	0090	180118	20	0050	181670	20	0050	189334	20	0050
144604	20	0390	167163	20	0090	180118	26	5865	181672	20	0050	189335	20	0050
144604	25	7225	169983	20	0330	180120	8	5825	181674	20	0050	189340	20	0050
145403	2	1230	173065	19	0560	180120	20	0050	181675	20	0050	189341	20	0050
145416	20	0130	173437	20	0330	180121	20	0050	181676	20	0050	189346	20	0050
147481	12	1615	173438	20	0330	180122	20	0050	181678	20	0050	189347	20	0050
147481	20	0010	174887	20	0830	180123	20	0050	181680	20	0050	189475	20	0670
147684	20	0340	174970	20	0130	180124	20	0050	181682	20	0050	189482	20	0670
147685	20	0340	177968	20	0660	180126	20	0050	181696	20	0050	189483	20	0670
147686	20	0340	178300	20	0150	180128	20	0050	181698	8	2535	189493	20	0670
147863	4	0991	178301	20	0150	180130	8	1275	181698	12	1640	189496	20	0670
147863	4	5445	178302	4	7057	180130	8	4390	181698	20	0050	189510	20	0670
147863	6	1865	178302	20	0150	180130	20	0050	181700	20	0050	189512	20	0670
147863	20	0630	178303	8	5328	180132	20	0050	181702	20	0050	189514	20	0670
147863	26	6260	178303	17	2755	180134	20	0050	181705	20	0050	189560	8	5174
147863	26	6285	178303	20	0150	180138	20	0050	181707	20	0050	190016	20	0380
147863	26	7710	178303	25	7045	180144	20	0050	181709	20	0050	190366	20	0180
148147	20	0735	178304	20	0150	180145	20	0050	181711	20	0050	190366	25	7060
148148	20	0735	178305	20	0150	180147	20	0050	181713	20	0050	190770	8	2010
148151	20	0735	178306	20	0150	180149	20	0050	181714	20	0050	190770	20	0050
148156	20	0735	178306	25	7045	180151	20	0050	181715	20	0050	191163	20	0050
148344	6	1520	178308	20	0150	180153	20	0050	181725	20	0050	191214	20	0300
148344	20	0180	178310	20	0150	180155	20	0050	181727	20	0050	191345	26	8063
148344	26	4735	178310	25	7045	180157	20	0050	181729	20	0050	191758	16	3237
148403	8	5174	178310	26	5200	180160	20	0050	181731	20	0050	191758	16	4080
148404	25	5130	178312	16	3234	180162	20	0050	181733	20	0050	191758	16	4523
148407	25	4607	178312	20	0150	180165	20	0050	181734	20	0050	191782	20	0050
148409	25	5133	178315	20	0150	180166	20	0050	181735	20	0050	191785	20	0050
148410	25	5130	178315	26	8205	180172	20	0050	181743	20	0050	191826	20	0060
148411	4	6906	178317	16	3234	180173	20	0050	181746	20	0050	191827	8	4400
148420	16	0720	178317	20	0150	180174	20	0050	181747	20	0050	191827	20	0060
148444	12	5140	178319	20	0150	180175	20	0050	181759	20	0050	191842	20	0100
148444	17	2657	178319	26	5200	180177	20	0050	181799	20	0050	191879	20	0080
148577	5	0410	178319	26	8205	180179	20	0050	181810	20	0050	191892	20	0080
148577	17	2657	178320	20	0150	180181	20	0050	181828	20	0050	191893	20	0080
149508	20	0565	178320	26	8205	180185	8	1490	182924	7	5285	191903	20	0030
152120	20	0230	178321	20	0150	180185	20	0050	182930	20	0710	191903	25	6778
153305	20	0020	178323	20	0150	180190	20	0050	182931	20	0710	191905	20	0030
153579	20	0020	178324	20	0150	180192	20	0050	186596	20	0830	191914	20	0030
153782	7	1690	178325	20	0150	180201	20	0050	186601	20	0050	191925	20	0020
153782	20	0020	178331	20	0150	180212	20	0050	186602	20	0050	191968	20	0710
153802	20	0020	178669	20	0740	180218	20	0050	186624	8	3490	191983	20	0030
154005	20	0020	178685	12	5665M	180279	20	0050	186624	8	4400	191984	20	0080
155848	20	0030	178685	20	0740	180297	20	0050	186624	20	0050	191985	20	0080
155895	20	0030	178690	20	0740	181003	20	0050	186625	8	3505	192024	20	0610
155945	20	0030	178807	20	0690	181007	20	0050	186625	20	0050	192032	4	6417
156241	20	0030	178840	17	3840	181561	20	0050	186627	8	1490	192032	5	0658
156253	20	0030	178842	17	0494	181566	20	0050	186627	8	2165	192032	20	0390
156265	20	0030	179075	20	0050	181567	20	0050	186627	8	3480	192032	26	6100
156377	20	0030	179112	20	0710	181568	20	0050	186627	8	3515	192043	20	0390
156431	20	0030	179113	20	0710	181573	20	0050	186627	20	0050	192047	20	0390
156466	20	0030	179148	20	0160	181575	20	0050	186647	20	0050	192051	20	0390
156471	20	0030	179266	17	3830	181577	20	0050	186650	8	4400	192076	4	6417
156538	20	0030	179793	20	0050	181579	20	0050	186650	20	0050	192076	20	0390
156797	20	0070	179795	20	0050	181580	20	0050	186656	20	0050	192086	20	0240
157125	20	0070	179799	20	0050	181581	20	0050	186658	20	0050	192086	26	7170
157166	20	0070	179805	20	0050	181583	20	0050	186659	20	0050	192100	20	0520
157221	20	0230	179817	4	3187	181591	20	0050	186676	20				

192466	20	0390	274947	4	3595	443603	8	0870	671246	17	0459	820148	26	5360
192469	26	7685	274947	16	4250	443603	20	0050	672354	7	1237	820149	26	5435
200003	20	0760	279337	17	0440	443611	20	0050	672811	25	2363	821204	7	7035
200009	20	0760	279670	19	0040	443621	20	0710	674765	26	7770	821216	7	7140
200010	20	0760	279671	19	0040	443656	20	0670	675796	7	8290	821865	26	5565
200013	20	0760	279853	4	6395	443663	20	0670	676897	4	0025	822205	7	6190
200078	7	0375	279853	14	0790	443739	20	0740	677112	4	0130	822243	7	7003
200078	7	1513	279853	25	7480	443960	20	0080	677563	8	5533	822940	7	0710
200078	20	0760	279853	25	8675	443976	26	7685	678075	18	0330	825229	7	6110
200085	20	0760	279854	14	0490	444004	4	6370	679526	4	0685	826319	7	6220
200134	20	0760	279854	14	0780	444146	4	6445	679530	4	0650	828448	26	5340
200197	20	0760	279854	25	7460	444146	20	0740	682857	4	0156	833602	26	5505
200198	20	0760	279854	25	8670	444146	26	7765	688482	25	8200	834231	7	4881
200293	20	0760	279855	14	0780	444476	6	1600	692326	4	6420	834560	7	4881
200374	20	0760	279855	14	0825	444486	20	0280	692326	6	2978	834560	7	6220
217946	8	2165	284414	7	5708	444688	8	0510	694251	26	5195	838029	8	0760
217946	20	0115	285690	5	0619	444688	8	1640	694453	17	0445	849330	7	5715
218218	7	5820	286089	2	0110	444688	12	5488	694780	19	0320	850422	6	1743
219310	20	0630	287602	25	6690	444789	6	1870	694781	19	0380	850422	26	4753
219759	20	0470	287892	14	0063	444789	20	0630	694782	19	0330	850442	6	1885
219759	25	5203	294721	4	5970	444867	8	0510	695987	4	5510	850442	12	0270
220086	20	0460	294721	8	5720	444867	8	0660	698301	5	0753	850442	26	4775
232030	4	5560	301257	2	0790	445517	20	0290	699027	14	0825	850442	26	7720
232033	4	5385	302720	7	7185	445655	1	0060	699027	25	8760	850443	6	1740
232039	4	5555	302722	26	5225	445976	20	0050	699028	4	6395	850443	12	0150
233269	4	4950	302722	26	7215	445977	20	0050	699028	6	2906	850443	26	4740
235830	4	4870	302722	26	7580	446072	8	2180	699028	25	7480	850443	26	7635
235831	4	4900	305321	4	6420	446187	16	4460	699029	4	6385	850481	6	1925
235831	14	0730	305321	7	7037	446363	20	0795	699029	25	7460	850481	26	4785
235832	4	4945	305322	4	6423	446470	20	0795	699291	8	5310	850490	12	0110
238288	7	0957	305322	7	7137	446656	20	0060	699983	25	0600	850490	26	7550
238288	7	1857	305579	4	0130	446660	7	1691M	699983	25	1300	850512	6	1804
238385	4	0720	307215	4	6445	450521	7	0210	708756	17	3920	850512	26	4710
238385	4	3285	315164	16	0775	451007	20	0430	708757	17	3920	850745	6	1460
238476	14	0780	317060	4	6385	451011	20	0430	708758	17	3920	850746	6	1806
240803	16	3330	317060	7	6895	451017	20	0430	708774	17	3900	850746	26	4765
240804	16	3230	318477	4	6450	451031	20	0430	708789	17	3860	850746	26	4800
244531	4	0670	319330	4	3695	451071	20	0430	708871	4	5375	850748	6	2065
249127	7	0350	319331	4	3685	451905	12	5150	708876	4	5310	850792	26	4830
258609	7	6870	319332	4	3700	453080	20	0010	710906	4	3216M	853463	26	7240
265325	7	6870	319333	4	3670	453632	4	5565	757501	8	0160	854113	26	7585
266807	4	3665	319334	4	3675	453676	26	6800	790945	7	8166	854115	26	7530
266807	17	2090	324523	4	4860	453768	20	0650	790945	25	7160	854125	26	7533
267124	7	7070	324524	4	6395	453772	20	0650	797195	4	5922	854125	26	7655
270343	7	6860	324526	4	4890	453773	20	0650	798004	4	5035	854126	26	7640
270344	7	7150	324527	4	4895	453948	20	0650	798004	6	1525	854127	26	7525
270345	7	7000	324529	4	4865	453950	20	0650	798028	4	7180	854128	26	7585
270354	16	0910	324530	4	4880	453954	20	0650	798166	17	2370	854223	26	7590
271285	16	5160	324531	4	4925	455267	25	5130	802691	26	5515	854253	26	7533
271440	20	0335	324532	4	4950	456725	26	8063	802697	26	5515	854254	26	7525
271506	20	0460	324533	4	4905	457187	12	5130	804463	7	0300	854287	26	7563
271546	20	0050	324535	4	4910	475892	4	7385	804463	7	1503	898162	7	0010
271548	20	0050	357374	5	0610	598301	7	6515	805790	26	5510	899102	7	0620
271746	20	0050	365927	5	0745	552162	4	7120	807716	7	4881	899511	7	0620
271747	20	0050	374993	17	3010	552491	4	6924	809053	26	5345	900028	26	4845
271748	20	0050	403906	16	3280	552868	7	5199	809062	26	5410	903011	4	5230
271749	1	0425	403909	16	3290	563219	26	4825	809593	7	3450	903201	16	4770
271749	20	0050	403914	16	3330	602274	7	6585	809593	26	5410	903205	26	6705
271750	20	0050	423345	20	0060	602275	7	1690	810074	26	5680	904763	26	6710
271752	20	0050	423597	20	0080	647962	4	5635	810078	26	5680	905011	26	6705
271788	20	0050	425250	20	0220	647962	14	0480	810085	7	6220	905644	5	0200
271791	20	0050	426099	20	0460	647962	26	7775	810226	26	5390	905905	26	6710
272122	20	0470	426767	20	0460	648187	16	4430	810557	7	4881	907109	26	5725
272334	16	4130	427261	20	0380	648189	1	0550	810601	26	5490	907207	4	5230
272334	20	0520	427360	20	0460	648189	16	4350	810794	7	2770	907310	17	1330
272336	16	4130	427558	8	4390	648189	16	4590	810794	7	4881	909444	5	0210
272726	26	5495	427558	20	0050	648190	1	0530	810794	26	5685	911597	7	0820
273337	16	4153	427640	20	0510	648190	16	4550	811124	26	5690	911771	7	0730
274267	26	8457	427646	1	0460	648506	4	4945	811450	26	5405	912048	7	0870
274273	26	6850	427646	20	0510	648507	4	4885	811601	26	5497	917297	7	1400
274312	7	5825	427652	20	0510	649092	19	0338	811735	26	5560	919777	7	0640
274635	12	6745	435138	20	0710	649092	19	0675	811912	7	2790	920325	7	1470
274635	14	0180	435504	20	0010	649122	17	0457	811912	7	6220	920354	7	1090
274635	16	3264	441291	17	3810	649329	2	0160	811912	26	5693	920354	26	6120
274635	16	4137	442043	16	0960	657603	16	0647	812015	26	5425	920759	7	0955
274637	16	4527	442629	5	0410	657603	16	3170	812016	26	5415	920759	7	1427
274639	14	0290	442660	20	0670	658049	4	0685	812622	7	3720	920759	7	1710
274639	14	0369	442661	20	0670	658049	4	0860	813493	7	4881	920759	7	1907M
274639	16	0155	442715	20	0370	661223	8	0070	813521	26	5485	922785	7	0958
274640	8	0185	442738	20	0380	663364	4	5805	813554	26	5405	924535	7	0170
274640	14	0300	443505	20	0030	665437	7	8090	815095	26	5580	924552	7	0240
274640	14	0370	443535	16	4135	665553	5	0990	816784	26	5635	924552	7	1500
274641	8	0186	443535	16	4144M	669243	4	6613	816803	26	5700	924561	7	0200
274641	19	0335	443537	16	4144M	669244	4	6613	816863	7	6230	924561	7	1500
274641	19	0660	443537	20	0430	669302	4	6735	817114	26	5340	925388	7	1450
274746	26	6845	443575	20	0060	669374	12	6620	817313	26	5415	928544	7	1693
274867	1	0130	443593	2	1220	669977	4	5780	817314	26	5425	928544	7	1900
274900	26	6850	443594	2	1230	671246	5	1040	817363	26	5600	954136	16	3020

NUMERICAL INDEX

954184	16	3010	1555476	26	5975	1859674	7	7205	1903058	7	6230	1910672	7	4705
954211	16	4770	1559429	26	5985	1859675	7	6985	1904370	7	3580	1910675	7	4650
954247	25	5127	1562735	7	5312	1859949	7	7095	1904370	7	4800	1910677	7	4678
954251	17	1110	1563800	7	5233	1860389	7	6230	1904492	7	7210	1910681	7	4755
954256	26	6470	1564915	7	5170	1860863	7	3273	1904669	26	5510	1910684	7	4690
954267	7	3090	1565875	7	5290	1861076	26	5510	1904865	7	4703	1910689	7	4705
954357	25	6208	1565876	7	5317	1861785	7	2670	1904865	7	4704	1910690	7	4705
954418	8	2490	1565877	7	5287	1861786	7	2590	1904868	7	6845	1910701	7	4770
954462	26	8295	1565878	7	5317	1861787	7	2590	1904869	7	7165	1910702	7	4765
954716	12	5150	1565882	7	5151	1861788	7	2770	1904878	7	6810	1910703	7	4863
954794	16	3200	1565889	7	5156	1861791	7	2790	1904882	7	6805	1910704	7	4745
954982	26	7835	1568235	7	5199	1861791	7	3720	1904884	7	7005	1910705	7	4678
1055445	25	6423	1569086	7	5140	1862218	26	5610	1904885	7	6990	1910706	7	4770
1056802	25	6665	1569821	7	5118	1862901	7	6030	1904886	7	7223	1910707	7	4762
1061014	14	0319	1580242	7	5140	1864012	7	2390	1904887	7	7100	1910708	7	4745
1061060	14	0319	1580374	7	5199	1864020	7	2690	1904888	7	7130	1910709	7	4708
1061061	14	0312J	1580510	7	5317	1864099	7	4795	1904889	7	6950	1910711	7	4760
1061062	14	0312E	1580697	7	5196	1865880	7	7210	1904890	7	7060	1910712	7	4690
1061063	14	0312G	1580699	7	5156	1867610	26	5355	1904891	7	6890	1910713	7	4730
1061086	14	0324	1580699	7	5225	1867646	7	6060	1904899	7	7003	1910714	7	4768
1061087	14	0323	1580702	7	5156	1867755	26	5540	1904900	7	6820	1910715	7	4740
1061088	14	0303	1580703	7	5199	1867877	7	2615	1904901	7	6920	1910716	7	4745
1062904	14	0314G	1580705	7	5156	1868788	26	5370	1904971	7	6170	1910720	7	4760
1063182	14	0322	1580706	7	5199	1869505	7	6170	1904987	7	3720	1910829	7	3455
1069250	25	6235	1580707	7	5227	1871630	7	6095	1905124	7	6230	1910832	7	3267
1069635	14	0175	1580708	7	5194	1871630	7	6141	1905125	7	3720	1911120	7	4850
1107630	26	5330	1580709	7	5272	1872459	7	6230	1905169	7	6810	1911121	7	4850
1108557	26	5330	1582520	7	4980	1872678	26	5355	1905466	7	6090	1911158	7	4881
1108827	7	2000	1582521	7	4980	1874495	7	6220	1905590	26	5630	1911449	7	4760
1111707	26	5525	1582528	7	5092	1874496	7	2615	1905897	7	7207	1911610	7	2710
1114006	7	2000	1582530	7	4997	1874846	7	2530	1906046	7	2790	1912270	7	4760
1115043	26	5970	1582531	7	5100	1874847	7	2530	1906051	7	6200	1912381	26	5575
1116797	7	7340	1582532	7	5150	1874848	7	2500	1906053	7	6080	1912728	7	2590
1116797	26	6135	1582533	7	5085	1874851	7	2500	1906080	7	2680	1912978	7	3437
1116818	7	7340	1582539	7	8200	1877518	7	6084	1906090	7	2820	1913041	7	6220
1116845	26	6140	1582540	7	8200	1877519	7	6084	1906494	7	6120	1913394	7	3430
1116852	7	7340	1595459	12	0910	1877962	7	2130	1906909	7	2110	1913487	7	4770
1116912	7	7343	1595655	12	0880	1878405	26	5547	1906910	7	3150	1913496	7	4769
1117604	7	3000	1836358	7	6920	1878405	26	5685	1906945	26	5350	1913497	7	4705
1118416	7	4630	1836364	7	7003	1878418	26	5453	1907064	7	7115	1913499	7	4769
1119805	7	5960	1837223	7	6230	1878419	26	5455	1907367	7	6120	1913511	7	4675
1415749	16	0620	1838591	7	6230	1878421	26	5470	1907370	7	6190	1913534	7	2700
1415758	16	0440	1838667	26	5435	1878421	26	5475	1907371	7	6190	1914309	26	5535
1418080	16	0550	1838670	26	5360	1878503	7	6010	1907467	7	2520	1914867	7	2293
1418081	16	0550	1841363	7	7003	1878832	7	2330	1907482	7	2650	1914961	7	4850
1454210	7	5240	1841611	7	7223	1878833	7	3430	1907636	7	2660	1915897	26	6850
1454210	7	6246	1842057	7	3720	1878834	7	3720	1907714	7	6070	1916224	7	2240
1463214	26	9412	1842310	7	6830	1880642	26	5370	1909001	26	5595	1916461	26	5440
1501481	7	4900	1842708	7	7020	1880781	7	3720	1909003	26	5545	1916529	26	6115
1503516	12	0980	1843646	7	2620	1880781	7	4881	1909476	26	5555	1918479	7	4795
1503517	12	0940	1843646	26	5460	1880781	7	6220	1909478	26	5640	1918825	7	4700
1503518	12	1050	1845214	7	5990	1880781	7	7209	1909514	7	2290	1918848	7	4881
1503533	12	1010	1845217	7	5963	1880781	26	5505	1909521	7	2320	1919795	7	4795
1503535	12	1000	1845219	7	6130	1880808	7	4863	1909523	7	2510	1919848	7	2430
1503536	12	0920	1845220	7	6140	1880809	7	4881	1909527	7	2520	1919849	7	2540
1503541	12	0910	1845223	7	6170	1880902	26	5695	1909531	7	2297	1919850	7	2430
1503542	12	0930	1847232	7	6130	1881086	7	3680	1909550	7	2030	1919851	7	2830
1503671	8	4330	1847233	7	6000	1881314	26	5335	1909560	7	2830	1919852	7	2430
1504072	12	0860	1847234	7	5970	1881316	26	5395	1909576	7	2400	1919853	7	2220
1504107	8	4110	1847238	7	6220	1881317	26	5375	1909654	7	2830	1920254	7	7088
1506294	7	5040	1847243	7	6190	1881319	26	5380	1909829	7	6180	1920255	7	6986
1508022	7	5040	1847289	26	5665	1881429	26	5365	1909848	7	2180	1920256	7	6950
1508023	7	5020	1847418	7	6025	1881430	26	5365	1909848	7	8177	1920257	7	7210
1508157	26	6010	1847643	26	5615	1881483	26	5480	1909902	7	3680	1920262	7	7025
1508392	7	5040	1847647	26	5660	1881869	26	5460	1909909	7	3680	1920387	7	2020
1509034	7	6325	1848528	26	5475	1882247	7	7223	1909910	7	3380	1922233	7	5990
1509034	26	6010	1849235	7	6220	1882247	26	5685	1909911	7	3190	1922703	7	2310
1512729	7	5050	1849716	7	7140	1883404	26	5460	1909912	7	3190	1922851	7	4630
1513162	7	5050	1850547	7	7340	1883498	26	5655	1909941	7	3350	1922921	7	2490
1515628	7	5317	1850890	7	5980	1883642	7	6130	1909942	7	3350	1923697	7	4755
1516395	12	0145	1850892	7	6060	1885345	7	2210	1909944	7	3193	1923935	7	6220
1516846	7	7345	1851916	7	1090	1885526	7	4720	1909948	7	3170	1924424	7	3618
1523319	12	0518	1853917	26	5505	1885557	26	5620	1909949	7	3720	1924425	7	3460
1523319	26	7575	1855488	7	6090	1885558	26	5675	1909953	7	3650	1924425	7	3574E
1528441	7	3205	1855490	7	6230	1887320	7	3444	1909958	7	3460	1924426	7	3310
1537716	26	7640	1855491	7	6230	1888346	26	5430	1909965	7	3310	1924427	7	3460
1543018	26	7100	1855618	7	6887	1888940	7	6150	1909966	7	3080	1924512	7	3240
1543853	8	3070	1855720	26	5530	1889389	7	4868	1910612	7	4747	1924514	7	3240
1543857	8	3230	1856056	7	4881	1889966	26	5585	1910613	7	4863	1924515	7	3240
1543862	8	3305	1856819	7	2800	1889967	26	5650	1910616	7	4866	1924516	7	3240
1543895	12	7310	1857304	7	6125	1889999	26	5670	1910620	7	4705	1924517	7	3620
1544000	12	7430	1857306	7	6140	1900272	26	5570	1910648	7	4795	1924518	7	3240
1544255	8	2995	1857307	7	6030	1900310	7	2765	1910650	7	4678	1924527	7	3060
1544836	12	7690	1857308	7	6086	1900310	7	3720	1910651	7	4755	1924535	7	3290
1551108	12	7200	1857826	7	2470	1900463	7	4755	1910652	7	4755	1924536	7	3290
1551110	12	7228	1858490	7	2800	1900464	7	4700	1910656	7	4881	1925079	26	5375
1555475	26	5975	1859033	26	5450</									

1925561	7	6810	2021359	6	3106	2030109	19	0420	2068673	2	1760	2095447	26	7075
1925562	7	6935	2021361	6	2910	2030114	4	0330	2070610	16	4920	2095452	26	5590
1925563	7	7060	2021888	4	6385	2030115	4	0170	2071181	7	5945	2095456	26	4950
1925568	7	7060	2021888	6	2860	2030121	4	0977	2072359	4	3365	2095458	26	5045
1925611	7	4769	2022535	6	3208	2030165	4	0685	2072925	5	0520	2095459	26	4925
1925889	7	4760	2022536	6	3208	2030167	4	0330	2072925	8	5295	2095459	26	4940
1925890	7	4770	2022537	6	3038	2030173	2	0750	2074361	12	6970	2095460	26	5055
1925891	7	4630	2023342	4	6395	2030180	2	1170	2074449	19	0410	2095461	26	5120
1925919	7	4795	2023342	6	2860	2030291	8	5480	2074450	19	0440	2095462	26	4890
1926600	26	5420	2023342	25	7460	2030464	6	0285	2074950	26	5205	2095463	26	5095
1926605	26	5405	2023342	26	5218	2030932	7	8290	2075279	17	1055	2095465	26	4930
1926606	26	5380	2023346	5	0210	2032504	4	6611	2075616	22	0170	2095467	26	5115
1926616	26	5490	2023355	5	0026	2033222	5	0370	2077788	25	3665	2095468	26	4960
1926617	26	5390	2023554	5	0140	2034370	4	6776	2078509	26	8255	2095469	26	5125
1926618	26	5390	2023662	4	6395	2034371	4	6620	2079406	5	0142	2095470	26	4855
1926622	26	5485	2023663	4	6395	2034412	25	0620	2079980	25	6947	2095472	26	5165
1926625	26	5345	2023785	25	0620	2034977	4	0045	2080440	12	0165	2095473	26	5100
1926648	26	5460	2023984	6	2929	2035146	4	6423	2080440	26	7650	2095477	26	4880
1926947	7	4660	2024002	12	7740	2035147	4	6420	2081698	4	6570	2095478	26	5135
1927849	26	5367	2024075	17	1820	2040546	17	3720	2083515	4	3708	2095483	26	5255
1927853	26	5400	2024672	17	1790	2040552	17	3640	2085274	4	3710	2095511	8	5600
1928015	26	5500	2024979	17	0610	2040553	17	3780	2085275	4	3713	2096520	4	7218
1928081	7	4737	2024979	17	3970	2040554	17	3140	2085276	4	3711	2096632	17	1395
1929286	7	6170	2025060	4	7345	2040555	17	2840	2085277	4	3717	2096636	17	0415
1929789	26	5395	2025109	6	0310	2040833	25	7345	2085278	4	3716	2096637	17	0447
1929792	26	5335	2025134	6	0207	2041113	7	5287	2085279	4	3714	2096638	17	0453
1929901	26	5405	2025565	26	7690	2041299	7	6093	2086969	8	5825	2096641	17	0410
1929926	26	5385	2025796	8	5352	2043587	7	5305	2086969	25	7000	2096642	17	0350
1930611	7	6141	2025921	4	7212	2044506	6	3034	2087009	4	7104	2096643	17	0457
1931161	7	3685	2027047	4	6503	2044550	5	0100	2087027	4	7125	2096644	17	0440
1931971	7	4866	2027593	17	0459	2044688	25	5240	2087055	4	7068	2096645	17	0440
1931973	7	4866	2027595	17	0457	2044739	25	0480	2087058	4	7265	2096648	17	0522
1931974	7	4660	2027596	17	0457	2044739	25	1483	2087093	8	5515	2096649	17	0585
1932696	26	5365	2027600	5	0600	2044739	25	1685	2087193	4	7067	2096649	17	3930
1932743	26	5365	2027606	17	0417	2044739	25	2363	2087193	5	0560	2096650	17	0585
1934477	7	2650	2027611	17	1635	2044739	25	3103	2087260	4	7370	2096650	17	3930
1934478	7	2650	2027613	17	0610	2045401	5	0068	2087803	7	5365	2096651	17	0585
1937667	7	2210	2027615	17	0545	2045402	5	0103	2089255	7	8166	2096651	17	3930
1938193	26	5550	2027617	17	1190	2045405	5	0127	2089976	4	6680	2096652	17	0490
1938754	7	2150	2027622	17	1477	2045406	5	0060	2090235	8	5985	2096655	17	1130
1939262	7	6130	2027623	17	1660	2045407	5	0199	2090270	12	6184	2096656	17	1255
1939798	7	3600	2027624	17	1475	2045408	5	0084	2090271	12	6204	2096657	17	1255
1997014	7	6280	2027629	17	1670	2045409	5	0154	2090555	8	5950	2096658	17	1250
1998723	7	6335	2027630	17	1760	2046751	4	0038	2090557	8	5975	2096659	17	1320
1998763	7	7240	2027632	17	1760	2046916	17	1830	2090558	8	5970	2096661	17	3960
1999700	7	6800	2027633	17	1770	2046917	17	1785	2090559	8	6000	2096662	17	3950
2007117	17	3570	2027634	17	1770	2046918	17	1890	2090560	8	5960	2096663	17	3890
2007428	5	0520	2027635	17	1695	2047037	17	3940	2090791	25	8685	2096665	17	3850
2008507	25	6200	2027640	17	0650	2047048	17	0425	2090873	5	0282	2096667	17	1730
2008508	25	6300	2027642	17	0670	2047051	14	0780	2091101	6	2737	2096668	17	0980
2008925	16	0576M	2027645	17	0764	2048014	5	0660	2091103	6	2605	2096669	17	0980
2009342	4	0045	2027648	17	0818	2048014	5	0665	2091104	6	2625	2096670	17	0980
2011234	17	0315	2027651	17	1610	2048533	17	0350	2091486	7	1197	2096671	17	0766
2011310	4	6445	2027653	17	1420	2048536	17	3870	2091756	17	0525	2096672	17	1637
2011690	26	7600	2027655	17	1995	2048537	17	1090	2091758	17	3940	2096673	17	1650
2012242	4	0685	2027656	17	2000	2048541	25	8925	2092234	12	6495	2096674	18	0390
2013648	4	6530	2027657	17	2020	2048614	25	8430	2092439	8	5565	2096676	17	1910
2013650	4	6642	2027658	17	2040	2048614	25	8555	2092767	16	0600	2096677	17	1865
2013651	4	6664	2027659	17	2060	2048614	25	8620	2092767	16	0810	2096680	17	1805
2013653	4	6550	2027660	17	2505	2049421	4	6445	2093709	4	6405	2096681	17	1855
2013654	4	6637	2027661	17	2505	2049721	7	5967	2093955	19	0210	2096682	17	1924
2013655	4	6806	2027662	17	2560	2049890	4	6924	2094286	17	3910	2096683	17	1900
2013656	4	6642	2027663	17	2615	2050070	12	0480	2094292	17	0515	2096684	17	1935
2014436	25	9085	2027663	17	2630	2052020	4	0975	2094293	17	0617	2098180	4	6940
2015097	5	0680	2027665	17	2170	2052265	25	8345	2094354	26	5245	2098524	6	2950
2015340	4	5370	2027666	17	2140	2052961	17	2127	2094356	26	5250	2098527	6	3212
2016187	25	4353	2027669	17	2450	2052962	17	2145	2095075	4	0045	2099193	17	0446
2016187	25	7290	2027670	17	3455	2052964	17	0455	2095357	8	5188	2099299	5	0142
2016246	4	6445	2027683	17	2125	2053010	1	0395	2095357	17	2667	2100291	7	7265
2016246	6	3185	2027687	17	1340	2053010	4	1030	2095357	26	2650	2100524	25	7160
2016881	4	6445	2027690	17	3455	2054389	18	0410	2095411	26	6265	2100524	26	2760
2016881	6	3185	2027695	17	3152	2054524	4	3370	2095412	26	6265	2100524	26	5253
2017100	4	6423	2027695	17	3153	2057810	5	0300	2095415	26	6335	2100525	7	8310
2017100	26	7750	2028063	5	0194	2058221	25	7085	2095417	26	6220	2100525	25	7160
2017326	4	6420	2028066	5	0066	2061210	4	6378	2095419	26	6530	2100525	26	4755
2017326	26	7690	2028069	5	0100	2061210	12	0465	2095420	26	6505	2100802	26	6340
2017681	4	7385	2028299	17	2460	2061210	26	7595	2095422	26	7245	2100803	26	6310
2017727	7	6580	2028929	4	6450	2064866	25	8667	2095424	26	6500	2100806	26	6370
2017735	7	6665	2028976	17	0610	2065147	4	6614	2095425	26	6700	2100807	26	6320
2017735	7	6670	2028986	6	2770	2065147	18	0430	2095428	26	6580	2100810	26	6280
2018526	17	0425	2028987	6	2946	2065668	7	8010	2095429	26	6605	2100813	26	7610
2018537	25	2555	2028990	6	3216	2065863	17	3940	2095430	26	6620	2100813	26	7630
2018651	8	5659	2028991	6	3204	2065864	17	1670	2095433	26	6430	2100818	26	6650
2018905	5	0535	2028992	6	3050	2065865	17	0619	2095434	26	6695	2100819	26	6610
2020494	4	7023	2028995	6	3008	2065866	17	3940	2095435	26	6445	2100820	26	6790
2020494	4	7025	2028999	4	5545	2066429	25							

NUMERICAL INDEX

2100826	26	7405	2127631	26	6665	2151288	5	0605	2193514	12	6325	2214348	4	3445
2100836	26	7035	2127635	26	5220	2151669	5	0800	2193516	12	6143	2214349	4	3445
2100837	26	7115	2127637	26	6660	2152465	16	3235	2193517	12	6345	2214435	4	5620
2100839	26	6435	2127638	26	5020	2153674	26	7185	2193743	7	3615	2214457	4	5877
2100840	26	6435	2127644	26	8520	2155369	7	7330	2194155	8	5354	2214457	8	5275
2100841	26	5545	2127645	26	8520	2155845	8	0070	2194792	12	0590	2214695	4	3505
2100843	26	6590	2127829	26	9535	2157781	8	4440	2194795	16	5175	2214857	25	3560
2100844	26	6585	2128051	26	8330	2158175	16	0430	2194818	4	5200	2214951	4	3300
2100845	26	6625	2128053	26	8455	2159991	26	5945	2194836	7	3345	2214955	6	3236
2100846	26	6600	2128056	26	8355	2159992	26	6810	2194861	7	3686	2214956	6	2961
2100848	26	4855	2128057	26	8540	2159993	26	6795	2194894	4	6410	2214957	6	2961
2100852	26	4990	2128061	26	8293	2159997	26	8520	2194895	6	2030	2214960	6	3065
2100853	26	5010	2128062	26	8470	2160702	26	5070	2194935	12	0440	2214961	6	2996
2101123	4	0860	2128063	26	8460	2160799	8	6295	2194936	12	0420	2214962	6	2898
2101126	4	0685	2128064	26	8460	2161693	4	6923	2194941	8	5410	2214963	6	3036
2102645	14	0350	2128065	26	8335	2161693	5	0442	2194943	8	5600	2215022	25	7320
2102895	6	1744	2128066	26	8405	2161708	2	0330	2194969	16	4870	2215233	26	7955
2103321	7	2710	2128070	26	8310	2162552	25	9095	2194973	16	4820	2215233	26	7960
2103355	4	5576	2128071	26	8350	2164961	7	7375	2194974	7	5755	2215233	26	7975
2103383	8	5110	2128072	26	8513	2165391	4	0010	2196028	6	2930	2215630	4	6395
2104066	7	6210	2128073	26	8505	2166092	2	0890	2199816	26	7950	2215808	4	6395
2105445	8	0200	2128074	26	8490	2169338	25	1487	2201406	19	0040	2215808	14	0790
2105551	4	6395	2128075	26	8540	2169338	25	1630	2201407	19	0040	2215812	26	6390
2105867	26	5545	2128076	26	8540	2169338	25	2375	2202503	4	6924	2215842	4	6385
2107338	25	8595	2128078	26	8540	2169478	5	0500	2203720	8	5500	2215928	16	5170
2107671	25	5215	2128079	26	8340	2170400	17	2655	2204439	7	8230	2215928	25	7160
2107675	25	5227	2128081	26	8355	2171357	16	4135	2206727	4	3608	2216334	8	6240
2110683	18	0410	2128082	26	8340	2172497	14	0780	2207086	4	0010	2216809	16	3260
2112321	8	0070	2128083	26	8400	2172498	14	0820	2207396	5	0120	2217215	1	0240
2113293	16	3150	2128143	26	9405	2172499	14	0830	2207838	4	0190	2217221	1	0270
2113405	16	3060	2130771	4	7260	2172922	17	3735	2208174	6	1740	2217222	1	0270
2113407	16	0319	2130789	4	3712	2172923	17	3220	2208174	26	4745	2217223	1	0270
2113413	16	3110	2131450	26	6340	2175225	1	0450	2208916	4	0625	2217263	16	5195
2113414	16	3000	2131739	7	8164	2175226	1	0450	2208989	2	1030	2217613	19	0485
2114618	16	3120	2132383	4	5780	2175230	1	0540	2208991	2	1060	2217613	19	0835
2114622	5	0040	2132383	8	5310	2175230	16	4580	2208992	2	0870	2217642	19	0460
2115305	7	5160	2133236	19	0480	2175231	1	0440	2209500	4	5495	2217643	19	0460
2115433	4	7130	2134521	26	4895	2175231	16	4570	2209713	25	5990	2217875	2	0030
2115768	5	0720	2134522	26	5070	2175232	1	0590	2209736	7	8310	2217875	2	0115
2115768	17	3154	2136470	12	4060	2175232	16	4630	2209951	4	5565	2218834	26	7825
2116151	16	3150	2136576	8	6270	2175233	1	0470	2210490	4	7455	2218835	26	7855
2116195	16	3150	2136944	4	5327	2175233	16	4540	2210506	4	6447	2218905	26	9515
2116199	16	3150	2136945	4	5392	2175234	1	0490	2210653	17	0330	2218906	26	9515
2116302	26	8240	2137142	6	2530	2175234	16	4560	2210657	5	0970	2219365	19	0760
2117061	4	6385	2137192	6	2495	2175235	1	0580	2210659	17	0395	2219604	26	9485
2117991	25	2525	2138283	7	8175	2175235	16	4520	2210660	17	0397	2219648	12	7630
2117991	25	2570	2138547	7	7190	2175236	1	0580	2210661	17	0380	2219651	12	7440
2118044	16	0390	2140049	16	0317	2175236	16	4620	2210662	5	1000	2219698	8	0240
2118045	16	0390	2140049	16	3030	2178492	26	7890	2210663	17	1215	2219723	4	5058
2118046	16	0390	2140170	17	3820	2178492	26	7895	2210664	17	1175	2219723	4	7457
2118049	16	0528	2140541	26	8370	2178496	16	5198	2210665	17	1285	2219754	26	5295
2118317	16	3230	2140542	26	8315	2178496	26	7915	2210666	17	1505	2219901	25	9170
2118319	16	0450	2141231	7	8155	2178496	26	7920	2210668	17	1503	2219999	26	5305
2118321	16	0680	2141231	7	8253	2178496	26	7930	2210669	17	1478	2220066	26	5270
2118321	16	3350	2141525	25	5193	2179170	16	4530	2210670	17	3880	2220116	16	0797
2118743	26	5950	2142347	17	0705	2183361	12	0402	2212229	4	6395	2220127	16	3020
2119486	26	9465	2142939	4	6595	2184801	26	8040	2212229	12	0125	2220128	16	0630
2119527	25	7125	2142940	4	6595	2184803	26	7925	2212229	26	7580	2220129	16	0610
2119535	26	9495	2143800	26	7810	2185428	26	7945	2212776	5	0040	2220866	2	0460
2119537	25	7125	2143809	26	7985	2185440	26	8030	2212777	5	0050	2220869	19	0840
2119654	26	4770	2143811	26	8035	2185519	26	6275	2213618	4	3585	2220873	4	0685
2119657	26	4770	2143812	26	8035	2187361	25	7515	2213618	4	5440	2220877	2	0350
2120312	17	0525	2143813	26	8035	2187662	16	0730	2213675	26	7885	2220888	2	0540
2121274	4	6547	2143948	7	8290	2190385	8	0520	2214022	6	3230	2221220	19	0630
2121864	26	9515	2144344	26	8010	2190386	8	0520	2214105	26	4825	2221224	2	0570
2122075	4	0670	2145617	17	3935	2190595	8	0520	2214220	16	5110	2221236	2	0950
2122076	4	0678	2145648	26	6995	2190614	25	5280	2214272	5	0520	2221238	2	0810
2122717	19	0740	2146130	22	0070	2190970	5	0352	2214325	4	3250	2221248	2	1430
2123106	19	0850	2146303	26	8295	2191113	4	5570	2214326	4	3430	2221248	18	0430
2123469	26	9530	2146304	26	8445	2191688	26	7795	2214328	4	3250	2221296	4	0660
2123612	14	0350	2146305	26	8450	2191708	26	4980	2214329	4	3315	2221296	4	0825
2125207	26	5170	2146306	26	8450	2191856	8	5980	2214329	4	3568	2221483	26	7470
2125521	26	7400	2146307	26	8360	2191857	8	5955	2214330	4	3445	2221651	4	6590
2125523	26	6900	2146307	26	9215	2191858	8	5990	2214331	4	3445	2221654	4	7458
2125526	26	7070	2146308	26	8545	2191859	8	5965	2214332	4	3405	2221729	4	7112
2125527	26	7040	2146310	26	8440	2192071	6	1820	2214333	4	3250	2222105	16	1110
2125527	26	7045	2148572	14	0630	2192173	4	6395	2214334	4	3315	2222105	16	4580
2125528	26	7040	2148573	14	0675	2192274	12	1758	2214335	4	3325	2222106	16	1070
2126284	4	4930	2148574	14	0677	2192352	8	5208	2214336	4	3260	2222106	16	4570
2126435	7	7240	2148576	14	0672	2192353	8	5515	2214337	4	3260	2222107	16	1145
2127256	26	7460	2148577	14	0665	2192367	4	5205	2214338	4	3265	2222107	16	4630
2127301	7	8310	2148702	8	5835	2192584	12	0450	2214339	4	3415	2222108	16	1020
2127301	25	7160	2148703	8	5855	2192907	4	5343	2214340	4	3360	2222108	16	4540
2127440	26	8475	2148881	26	7915	2192907	7	3330	2214341	4	3310	2222109	16	1030
2127443	26	8415	2148887	26	7970	2193179	6	1967	2214342	4	3320	2222109	16	4560
2127446	26	8500	2148889	26	7965	219								

2222195	26	7845	2224976	8	4515	2226641	26	6575	2228698	8	0240	2244074	4	5500
2222195	26	7850	2224976	8	4530	2226644	26	6680	2228757	4	6385	2244075	4	5225
2222215	26	8245	2224976	12	5667	2226646	26	7290	2228768	17	1100	2244560	14	0110
2222216	26	7440	2224976	14	0800	2226647	26	7060	2228769	17	1390	2244639	18	0390
2222226	26	7490	2224976	25	7525	2226648	26	7060	2228896	26	7900	2244669	26	2875
2222423	17	3395	2224976	25	8695	2226650	26	6950	2228930	26	6990	2244673	25	5015
2222651	7	5317	2224976	26	5269	2226655	26	4865	2229139	14	0380	2244688	19	0090
2222880	4	7432	2224976	26	5270	2226656	26	5110	2229533	4	7235	2244738	26	7860
2223720	16	3210	2224976	26	6090	2226657	26	5095	2229808	6	1490	2244913	25	1737
2224060	6	2755	2224976	26	7270	2226658	26	4910	2230028	25	7600	2244914	25	1737
2224296	4	5055	2224976	26	7435	2226659	26	5165	2230035	26	6330	2244924	25	1775
2224296	14	0520	2224976	26	7670	2226659	26	6410	2230675	2	1700	2244930	25	6080
2224334	25	7045	2224976	26	9545	2226660	26	5165	2231125	8	0230	2245830	6	2065
2224529	6	2914	2224977	8	0560	2226660	26	6410	2231401	17	0440	2246245	4	3310
2224541	4	6415	2224977	26	7023	2226661	26	5030	2231462	6	1680	2246247	4	3410
2224541	6	2967	2224977	26	7670	2226661	26	6815	2231475	8	0070	2246392	4	0700
2224544	4	5038	2224978	4	6410	2226664	26	7370	2231822	25	7225	2246393	4	0700
2224544	4	6415	2224978	26	8395	2226667	26	7375	2231826	8	0070	2246608	4	6445
2224544	6	1818	2224979	12	0420	2226669	26	5955	2232424	2	1210	2246694	8	5465
2224544	8	5448	2224979	25	7375	2226671	26	6400	2232426	2	1630	2246695	8	5348
2224544	14	0510	2224979	26	5270	2226673	26	6295	2232427	2	1630	2247119	4	0775
2224544	14	0810	2224980	4	6410	2226674	26	6610	2232428	2	1630	2247120	4	0880
2224544	26	7445	2224980	7	7010	2226675	26	6610	2232432	18	0450	2247121	4	0740
2224544	26	7675	2224980	14	0500	2226676	26	6525	2233039	22	0080	2247123	4	0765
2224545	4	6415	2224980	14	0800	2226677	26	6910	2233133	25	9045	2247124	4	0845
2224545	7	8327	2224980	25	7525	2226678	26	7275	2233134	25	9045	2247125	4	0730
2224545	12	0600	2224980	25	8695	2226678	26	7280	2233457	25	9115	2247201	25	4880
2224545	14	0810	2224985	4	6410	2226679	26	7340	2237022	25	1830	2247206	25	5065
2224545	26	6095	2224985	16	5180	2226680	26	7000	2237054	26	8375	2247208	25	4840
2224546	4	6415	2224986	4	6410	2226680	26	7005	2237118	8	5685	2247211	25	4950
2224546	6	1818	2224986	25	6970	2226681	26	7090	2237362	4	7315	2247212	25	4835
2224546	7	7015	2224987	25	6970	2226683	26	5065	2237499	1	0090	2247213	25	4835
2224546	12	0188	2224990	25	8110	2226684	26	6935	2237557	7	8290	2247214	25	4970
2224546	14	0810	2225101	4	6400	2226685	26	6940	2238349	4	6648	2247235	25	4920
2224546	25	8700	2225101	7	8310	2226686	26	6955	2238505	2	0150	2247236	25	5050
2224546	26	7675	2225101	26	5980	2226687	26	7085	2240140	7	7240	2247237	25	4930
2224547	4	6415	2225246	26	7880	2226688	26	6985	2240308	16	0980	2247240	25	5105
2224547	6	1818	2225247	26	7820	2226689	26	7380	2240916	8	5327	2247443	17	0750
2224547	26	7675	2225249	26	7840	2226690	26	7395	2240917	8	5446	2247444	17	1355
2224548	4	6415	2225250	26	8005	2226696	26	6540	2241029	7	7380	2247499	7	2880
2224549	4	6415	2225335	25	6595	2227066	8	0070	2241091	7	8390	2247533	25	4985
2224549	7	8327	2225537	16	1120	2227110	4	5320	2241093	7	8390	2247552	25	4995
2224549	12	0188	2225538	16	1085	2227111	4	5395	2241095	7	0375	2247571	7	6435
2224549	16	5190	2225652	26	6700	2227113	4	5295	2241095	7	1513	2247608	4	3719K
2224549	25	7220	2225688	26	9450	2227114	4	5452	2241095	7	8390	2247728	12	7790
2224551	26	5275	2225776	26	7865	2227116	4	5576	2241128	26	6290	2247730	12	7790
2224567	8	0482	2225777	26	7905	2227118	4	5425	2241166	25	7045	2247730	25	6935
2224568	12	0600	2225777	26	7910	2227139	4	5275	2241931	12	0417	2247731	12	7470
2224582	26	8220	2225778	26	7880	2227140	4	5255	2241931	26	7785	2247735	12	7440
2224657	25	0760	2225779	26	7855	2227143	4	3218	2241944	26	8325	2247737	12	7590
2224659	25	4310	2225780	26	7990	2227143	4	5585	2242247	25	3857	2248115	26	4725
2224659	25	4365	2225781	26	8025	2227144	4	5415	2242823	4	0655	2248137	7	1227
2224661	25	3910	2225783	26	7860	2227146	4	5590	2242958	7	6240	2248137	7	7346
2224661	25	4310	2225784	26	7860	2227147	4	5420	2242964	26	2880	2248137	7	7347
2224679	14	0040	2225785	26	7850	2227148	4	5525	2242967	17	0457	2248137	7	7400
2224679	25	2714	2225786	26	8030	2227149	4	5525	2242981	26	9405	2248137	25	3064
2224679	25	7320	2225788	26	7800	2227416	25	2447	2242982	26	9428	2248137	25	3270
2224702	25	3430	2225789	26	7995	2227416	25	5015	2243178	25	2545	2248137	25	3842
2224702	25	5440	2226070	7	7347	2227416	25	7840	2243233	26	4810	2248137	25	4359
2224702	25	5760	2226070	7	8332	2227417	12	7650	2243272	7	1227	2248137	25	5537
2224708	26	9290	2226070	12	7650	2227417	25	0213	2243272	7	5102	2248137	25	6025
2224715	6	0300	2226070	25	3064	2227417	25	0727	2243272	25	1575	2248137	26	6037
2224716	12	0030	2226070	25	3270	2227417	25	1270	2243272	25	4359	2248187	4	3715
2224723	25	3475	2226070	25	3555	2227417	25	2147	2243272	25	7565	2248191	26	8355
2224723	25	6055	2226070	25	8146	2227417	25	2955	2243272	25	8987	2248192	26	6655
2224726	6	3064	2226070	26	9575	2227417	25	4767	2243272	26	5285	2248612	25	3450
2224750	4	6415	2226150	4	5455	2227417	25	5010	2243272	26	5290	2248614	25	3453
2224760	25	6055	2226236	7	3295	2227417	25	5535	2243272	26	7300	2248616	25	3463
2224767	16	5196	2226602	26	8495	2227417	25	5675	2243272	26	7725	2249176	12	7680
2224865	25	5663	2226603	26	8316	2227417	25	8415	2243272	26	9575	2249452	2	1685
2224869	25	5663	2226605	26	8465	2227417	26	2865	2243318	25	6030	2249511	25	6323
2224870	25	5663	2226606	26	8465	2227837	26	8520	2243602	2	1670	2249518	5	0990
2224871	25	8733	2226607	26	8530	2227838	26	7850	2243603	2	1670	2249521	7	5210
2224872	8	0085	2226607	26	8535	2227844	26	9425	2243604	2	1670	2250030	6	0390
2224877	25	8210	2226608	26	8530	2227844	26	9575	2243605	2	1670	2250096	8	0125
2224881	25	4935	2226609	26	8460	2228368	7	6565	2243606	2	1670	2250097	8	0070
2224881	25	7750	2226610	26	8370	2228368	25	0217	2243607	2	1670	2250099	4	0045
2224896	25	3040	2226611	26	8470	2228368	25	3136	2243608	2	1670	2250550	26	6670
2224896	25	4383	2226612	26	8505	2228368	25	3270	2243609	2	1670	2250666	7	8290
2224896	26	2940	2226613	26	8525	2228368	25	5016	2243610	2	1670	2251015	25	7610
2224897	25	5997	2226617	26	8485	2228368	26	5285	2243611	2	1670	2252237	12	7440
2224899	25	8111	2226620	26	8525	2228514	14	0350	2243612	2	1670	2252377	6	0208
2224900	26	2845	2226626	26	6375	2228519	8	0135	2243728	7	8290	2252377	14	0350
2224933	25	8295	2226628	26	6310	2228521	8	0095	2243768	16	3050	2252446	12	6182
2224975	26	7670	2226629	26	6345	2228526	8	0267	2243944	7	6360	2252447	12	6425
2224976	4													

NUMERICAL INDEX

2252863	4	4904J	2266469	2	1090	2280150	19	0010	2291361	25	2105	2292815	25	4310
2252863	7	8310	2266472	2	1495	2280428	4	6420H	2291370	14	0020	2292817	25	4338
2253219	1	0040	2266473	2	1495	2281752	7	8290	2291371	14	0020	2292828	14	0010
2253270	1	0080	2266474	2	1495	2281754	7	8290	2291394	25	4305	2292833	14	0020
2253272	14	0065	2266602	5	0620	2281754	26	6075	2291395	25	4305	2292836	14	0310
2253288	26	9197	2267152	8	0255	2281754	26	7555	2291396	25	4305	2292837	14	0320
2253467	7	6350	2267156	4	5330	2281755	7	8290	2291397	25	4305	2292838	12	7560
2253498	25	7840	2267157	4	6405	2281755	26	6075	2291646	7	3453	2292845	25	3225
2253498	25	8415	2267158	8	0165	2281860	26	6075	2291647	12	7580	2292846	25	3225
2253498	26	2865	2267165	2	0030	2281862	26	6075	2291649	7	3265	2292847	25	3225
2253521	8	5348	2267191	8	0250	2282118	26	8380	2291809	25	2105	2292848	25	3225
2254188	26	8395	2268685	17	0330	2282121	26	8420	2291810	25	4310	2292849	25	3225
2254366	1	0050	2269129	7	5082	2282122	26	8480	2291814	25	4365	2292850	25	3225
2254419	4	3295	2269269	6	2020	2282123	26	8365	2291816	25	2105	2292851	25	3220
2254448	6	0165	2269323	25	6897M	2282125	26	6250	2291820	25	4310	2292852	25	3220
2254449	6	0165	2269448	7	0580	2282126	26	7080	2291821	25	2107	2292853	25	3220
2255176	25	0673	2270293	6	2440	2282129	26	6375	2291821	25	4310	2292857	14	0330
2255197	4	3660	2270295	6	3002	2282564	5	0750	2291830	25	2933	2292859	14	0110
2255200	6	0145	2270296	6	3002	2282809	4	4955	2291838	25	3035	2292860	14	0110
2255579	25	3520	2270380	25	2670	2282894	26	8020	2291839	25	3015	2292873	25	4825
2255756	17	2700	2270380	25	3060	2283037	4	0010	2291844	25	3707	2292887	14	0260
2256378	4	0156	2270380	25	3130	2283041	2	0340	2291845	25	3707	2292888	14	0314
2256475	26	7750	2270380	25	4310	2283043	2	0340	2291846	25	3707	2292896	25	5035
2257165	17	0360	2270521	8	4723	2283299	6	1600	2291847	14	0340	2292897	25	4835
2257823	7	8156	2270709	1	0190	2283300	6	1600	2291848	14	0340	2292898	25	5770
2257993	19	0330	2270742	4	0030	2283383	7	7225	2291849	14	0340	2293078	14	0330
2258247	4	6437	2270743	4	0027	2283881	4	1045	2291850	14	0340	2293081	14	0330
2258247	25	8750	2270844	25	1733	2284304	4	1015	2291871	25	4380	2293083	14	0330
2258398	7	6665	2270845	25	1733	2284306	4	0905	2291875	14	0020	2293246	16	4000
2258400	7	6665	2271185	7	4887	2284306	4	3522	2291887	25	2105	2293296	14	0430
2258821	7	8010	2271187	26	6150	2284307	4	0970	2291888	25	2105	2293332	7	3353
2259326	4	0345	2271190	7	7275	2284307	4	3581	2291894	25	3810	2293340	14	0115
2259327	4	0108	2271617	4	3555	2284310	4	1003	2292044	1	0010	2293351	25	4250
2259377	14	0450	2272084	7	7225	2284314	4	1010	2292045	2	0010	2293354	25	4260
2259378	4	0170	2272093	7	7225	2284315	4	1000	2292046	2	0010	2293362	16	3220
2259410	16	3150	2272896	25	6940	2284317	4	0985	2292123	14	0400	2293372	8	5580
2259433	8	5803	2272897	25	6940	2284330	4	0658	2292124	14	0410	2293373	6	1320
2259586	7	7275	2272898	25	6940	2284952	4	5235	2292130	14	0340	2293374	6	1320
2259993	25	8415	2273729	4	1045	2285597	6	3064	2292131	14	0340	2293376	5	0560
2260074	19	0160	2273809	25	6030	2285669	6	2930	2292152	14	0440	2293385	14	0110
2260075	19	0160	2273809	25	8145	2285878	4	0830	2292169	16	3000	2293387	14	0100
2260590	7	3295	2275078	4	4904G	2285899	4	1020	2292171	16	3070	2293390	25	4035
2260821	4	3199	2275100	19	0855	2286338	7	6550	2292185	4	0920	2293395	25	4035
2260858	4	3180	2275647	4	0281	2286340	7	6450	2292208	25	2283	2293398	25	0235
2260887	6	2896	2275862	26	6605	2286341	7	6625	2292209	25	2283	2293399	25	3265
2261476	6	2784	2275863	26	6605	2286342	7	6433	2292210	25	2283	2293400	25	3265
2261485	4	6395	2275864	26	6610	2286343	7	6450	2292215	25	4335	2293403	6	2060
2261791	4	6400	2275865	26	6610	2286344	7	6515	2292216	25	4383	2293413	16	3310
2261791	7	8310	2275866	26	6610	2286359	25	8690	2292218	25	4310	2293426	14	0110
2262446	6	0010	2275867	26	6610	2286360	25	8731	2292219	25	4310	2293433	25	3225
2262459	25	6035	2275868	26	6610	2286361	25	8723	2292220	25	4305	2293434	25	3225
2262459	25	8515	2275869	26	6610	2287223	16	0775	2292221	25	4305	2293435	25	3225
2262472	4	3180	2275882	25	6923	2287227	7	8329	2292222	8	0095	2293436	25	3225
2262488	7	6320	2275913	4	3648	2287592	4	1010	2292223	8	0095	2293437	25	3225
2262716	19	0700	2276075	7	6585	2287831	7	8310	2292253	25	2165	2293439	25	3707
2262913	7	5154	2276076	7	6455	2287937	25	0135	2292254	25	2165	2293455	12	7780
2263172	6	3190	2276077	7	6420	2288000	6	2750	2292255	25	2165	2293456	26	6175
2263215	25	8727	2276079	7	6665	2288043	26	8242	2292256	25	2165	2293461	16	3300
2263218	17	0020	2276080	7	6625	2288900	8	5370	2292257	25	2165	2293462	16	3350
2263224	7	7275	2276081	7	6585	2288900	25	0535	2292258	25	2165	2293469	25	6390
2263329	4	0010	2276082	7	6665	2289524	18	0497	2292259	8	0047	2293477	16	3190
2263939	25	6798	2276083	7	6665	2289529	4	0357	2292260	8	0047	2293496	26	9380
2263970	4	7260	2276100	7	7284	2289736	25	2225	2292261	8	0047	2293500	25	5755
2264298	4	3608	2276254	14	0310	2289737	25	2225	2292262	8	0190	2293519	12	6970
2264683	8	0265	2276286	14	0320	2290182	4	7480	2292270	25	2165	2293525	12	6580
2264692	8	0110	2276334	4	6445	2290313	25	1400	2292271	25	2165	2293596	14	0440
2264693	8	0110	2276338	4	3196	2291124	26	7815	2292272	25	2165	2293703	25	7120
2264703	4	5400	2276350	16	1110	2291173	8	5348	2292274	25	2165	2293704	25	7080
2264704	4	5325	2276571	25	7615	2291196	26	6080	2292275	25	2165	2293714	25	5765
2264706	4	5335	2276594	7	7284	2291242	7	8290	2292288	25	5970	2293715	25	5765
2265047	26	6990	2276914	6	0210	2291244	7	8290	2292289	25	6110	2293716	25	5765
2265059	12	0590	2276915	6	0285	2291302	25	4383	2292290	25	6110	2293730	25	3225
2265060	4	6405	2276916	6	0260	2291304	25	4380	2292293	12	7580	2293731	25	3225
2265060	6	2953	2277310	2	0840	2291305	25	4380	2292294	12	7580	2293734	25	4875
2265061	4	6405	2277311	2	0800	2291313	25	4380	2292295	12	7580	2293736	25	4875
2265244	14	0117	2278663	25	8765	2291314	25	4380	2292297	8	0190	2293738	25	1730
2265244	14	0315	2278708	25	8640	2291315	25	4380	2292298	12	7370	2293739	25	1770
2265244	16	0285	2278913	7	7240	2291324	25	4250	2292300	14	0117	2293740	25	1770
2265245	14	0435	2278913	26	6035	2291325	14	0010	2292367	14	0050	2293748	25	1640
2265255	25	1600	2279049	25	8720	2291328	25	4340	2292369	14	0060	2293749	25	1640
2265255	25	1870	2279050	25	8737	2291329	14	0010	2292370	14	0090	2293750	25	1640
2265255	25	2460	2279082	4	0357	2291330	25	4340	2292372	14	0050	2293751	14	0340
2265256	4	5815	2279240	12	7420	2291333	25	2105	2292374	14	0090	2293752	16	3340
2265256	4	7085	2279500	25	6030	2291334	25	2105	2292418	26	6075	2293753	14	0390
2265810	1	0070	2279614	26	8230	2291340	14	0010	2292530	14	0390	2293756	25	3535
2265925	16	0270	2280025</											

2293768	25	3255	2294523	8	0140	2295231	4	7135	2295874	11	0510	2296514	25	7188
2293769	25	5663	2294536	16	0300	2295234	25	5525	2295876	25	3240	2296514	25	7685
2293770	25	5770	2294537	16	0300	2295235	25	5525	2295879	25	3200	2296515	17	3105
2293777	25	4910	2294538	25	3200	2295241	25	3210	2295880	25	3200	2296527	25	0883
2293778	25	4910	2294541	16	0105	2295242	25	3205	2295883	25	3255	2296527	25	1573
2293780	25	3255	2294542	6	0450	2295243	25	3537	2295884	25	3255	2296527	25	1830
2293781	14	0115	2294542	8	0250	2295244	25	3537	2295888	25	7790	2296527	25	7840
2293782	5	0780	2294543	25	4318	2295246	4	7450	2295894	25	3435	2296538	12	0500
2293790	25	2105	2294544	17	3495	2295250	16	0160	2295895	25	2845	2296538	12	0855
2293791	25	2105	2294545	5	0640	2295253	16	0160	2295896	8	0070	2296540	26	6580
2293802	16	3270	2294549	12	0185	2295255	26	2700	2295897	7	5077	2296541	26	6580
2293807	26	6860	2294804	16	3320	2295256	17	7695	2295898	25	4310	2296542	26	6580
2293808	26	6840	2294806	14	0710	2295258	16	0030	2295899	25	2160	2296543	26	6580
2293842	17	0010	2294807	4	3575	2295263	11	0360	2295899	25	4310	2296552	12	0450
2293848	16	0010	2294807	14	0740	2295265	8	5322	2295900	4	7450	2296563	4	5045
2294053	25	5660	2294808	14	0720	2295273	17	2955	2295978	12	6610	2296569	26	9190
2294054	25	5660	2294810	14	0620	2295274	4	7102	2295989	12	6510	2296572	25	1160
2294055	25	5660	2294811	14	0630	2295275	4	7102	2295990	12	6510	2296575	25	2105
2294056	25	5660	2294812	14	0680	2295276	4	5025	2295993	6	1958	2296576	4	5995
2294059	25	4353	2294813	14	0670	2295279	17	3340	2295994	6	1460	2296578	25	1723
2294060	25	4353	2294814	14	0640	2295282	11	0360	2295995	6	1855	2296579	25	2930
2294068	25	3240	2294829	4	3848	2295283	25	1497	2295996	6	1445	2296579	25	3130
2294076	5	0620	2294830	4	3648	2295287	25	2867	2295997	6	1953	2296580	25	2930
2294078	5	0620	2294830	4	3848	2295287	25	3114	2296189	12	6560	2296580	25	3130
2294080	4	7435	2294847	4	5315	2295288	25	2837	2296190	12	6960	2296581	11	0467
2294082	5	0620	2294848	4	5390	2295288	25	3130	2296201	14	0350	2296585	6	1980
2294087	8	5405	2294901	12	0360	2295289	25	2920	2296202	14	0350	2296587	25	3130
2294089	8	5640	2294904	12	0370	2295289	25	3128	2296205	4	7260	2296588	25	1625
2294092	6	0287	2294907	25	3200	2295290	25	2905	2296206	5	0750	2296589	25	2920
2294092	8	0140	2294908	25	3200	2295290	25	3126	2296210	4	6375	2296589	25	3128
2294093	6	0410	2294909	25	2120	2295291	25	2905	2296211	14	0350	2296594	4	6685
2294093	8	0230	2294910	25	2120	2295291	25	3126	2296212	14	0350	2296596	4	5895
2294095	25	1220	2294911	25	5660	2295292	25	3010	2296213	8	0070	2296597	25	3255
2294099	25	2560	2294912	25	5660	2295292	25	3148	2296213	14	0350	2296598	25	3255
2294100	25	1240	2294916	25	5660	2295293	25	2833	2296214	8	0070	2296606	5	0690
2294101	25	1225	2294920	25	2853	2295293	25	3108	2296214	14	0350	2296607	11	0467
2294104	25	0585	2294920	25	3112	2295297	25	2905	2296215	14	0350	2296612	25	3100
2294104	25	1265	2294921	25	2853	2295297	25	3126	2296216	14	0350	2296614	25	3210
2294106	25	9065	2294921	25	3112	2295298	25	3023	2296219	25	0010	2296615	4	6520
2294109	25	7790	2294922	25	4310	2295298	25	3154	2296220	25	0010	2296616	25	4695
2294113	25	4985	2294924	25	4310	2295299	25	2883	2296236	26	2765	2296617	25	2415
2294120	16	0160	2294925	8	0149	2295299	25	3122	2296238	8	0070	2296618	25	7790
2294121	16	0160	2294927	8	0173	2295340	17	2650	2296238	14	0350	2296619	25	7790
2294124	7	0370	2294928	8	0173	2295349	8	5345	2296239	14	0350	2296628	8	5564
2294125	7	0370	2294929	8	0110	2295363	8	5345	2296247	25	3124	2296630	8	5837
2294143	25	2165	2294930	8	0110	2295390	16	0890	2296248	25	3124	2296633	25	4630
2294149	25	2165	2294931	8	0085	2295527	8	5278	2296250	25	3138	2296635	25	3255
2294150	25	2165	2294932	8	0085	2295614	4	1000	2296254	25	1467	2296636	25	3255
2294168	4	0678	2294933	8	0085	2295615	4	1020	2296255	25	1467	2296773	8	5777
2294223	14	0100	2294934	8	0085	2295616	4	1020	2296256	25	1467	2296774	8	5355
2294344	8	5187	2294936	8	0140	2295802	25	2960	2296264	26	2770	2296782	26	4700
2294345	8	5477	2294937	8	0095	2295803	25	2873	2296265	26	2770	2296786	25	3390
2294346	8	5777	2294938	8	0095	2295803	25	3118	2296266	25	1640	2296798	12	7320
2294347	8	5355	2294944	8	0140	2295804	25	2890	2296267	26	2810	2297001	25	1465
2294370	12	0415	2294945	17	3340	2295805	25	2890	2296272	25	2317	2297011	25	4310
2294399	25	4770	2294946	17	2700	2295806	25	2715	2296273	25	2317	2297013	25	1467
2294402	25	5465	2294949	17	3340	2295806	25	2995	2296274	25	2317	2297015	25	1467
2294405	25	5615	2294952	25	2185	2295806	25	3144	2296275	25	2317	2297016	25	1495
2294406	25	5615	2294962	4	7130	2295807	25	2317	2296276	25	2317	2297017	25	5063
2294407	25	5615	2294964	25	1305	2295808	25	2930	2296277	25	2305	2297020	25	0867
2294422	25	1760	2294965	4	7260	2295809	25	2930	2296278	25	2305	2297021	25	5663
2294423	25	5435	2294966	25	3225	2295809	25	3130	2296279	25	2305	2297024	25	2930
2294434	7	7345	2294968	17	3050	2295812	25	2937	2296280	25	2305	2297024	25	3130
2294450	8	5345	2294970	25	1620	2295815	25	3250	2296281	25	2305	2297025	25	4695
2294460	25	2165	2294971	25	1723	2295816	4	6440	2296282	25	2305	2297029	14	0160
2294461	25	2165	2294973	25	1735	2295821	11	0400	2296283	25	2305	2297031	26	6780
2294462	25	2165	2294978	25	5660	2295822	25	4250	2296284	25	2305	2297032	26	6905
2294463	25	2165	2294979	25	5660	2295823	11	0365	2296285	25	2920	2297033	26	6735
2294466	12	0010	2294982	19	0500	2295824	11	0365	2296285	25	3128	2297034	26	6890
2294473	12	0190	2294983	25	3225	2295827	16	0400	2296288	4	6410	2297036	26	6875
2294486	8	0140	2294984	25	3225	2295829	12	7450	2296300	25	5663	2297037	26	6875
2294487	6	2060	2294985	25	1255	2295830	12	7420	2296433	4	3555	2297038	26	6880
2294490	4	7320	2294993	25	1493	2295831	8	0140	2296435	4	3588	2297039	26	6880
2294492	19	0170	2295097	8	0125	2295832	25	7790	2296437	4	3625	2297040	26	6700
2294493	16	3130	2295142	7	8290	2295833	25	4305	2296439	4	3545	2297041	26	6690
2294495	6	0307	2295142	26	6075	2295836	25	3005	2296442	4	3545	2297042	26	6830
2294497	25	3200	2295202	25	1490	2295836	25	3146	2296443	4	3565	2297043	26	6805
2294498	25	3200	2295203	25	1535	2295837	25	3005	2296444	4	3560	2297044	26	6750
2294499	25	3200	2295204	25	1535	2295837	25	3146	2296445	4	3515	2297045	26	6760
2294500	25	3200	2295206	25	0165	2295838	26	2675	2296447	4	3585	2297046	26	6820
2294502	16	0010	2295207	25	7790	2295845	26	2765	2296450	4	3630	2297047	26	6740
2294505	25	2165	2295208	25	7790	2295847	26	2765	2296461	4	5010	2297049	25	3100
2294507	25	4867	2295209	16	0105	2295860	8	0140	2296461	14	0460	2297050	25	3124
2294508	25	2290	2295211	25	3830	2295862	8	0198	2296485	4	3230	2297053	25	3130
2294514	4	7435	2295219	25	4945	2295863	11	0365	2296494	8	5820	2297054	25	3124

NUMERICAL INDEX

2297060	12	0370	2297888	25	0075	2298091	25	0850	2298703	11	0480	2299437	1	0010
2297062	26	6720	2297889	25	4318	2298092	25	0080	2298704	26	9180	2299438	2	0010
2297063	26	6715	2297890	25	3267	2298095	25	3138	2298707	26	9315	2299459	4	0310
2297068	25	0075	2297891	25	3267	2298096	25	3140	2298708	26	9185	2299511	7	7347
2297072	25	2890	2297892	25	3140	2298098	25	3128	2298709	8	0110	2299512	7	6565
2297077	25	3124	2297893	25	2975	2298099	25	3128	2298710	25	3100	2299513	7	6565
2297077	25	2890	2297895	8	0250	2298251	1	0020	2298718	25	3152	2299523	25	2195
2297077	25	3124	2297896	8	0250	2298252	1	0030	2298719	25	3152	2299536	7	7343
2297077	25	2115	2297910	25	5533	2298253	1	0030	2298720	25	3152	2299554	4	5035
2297081	25	2160	2297911	25	5533	2298255	4	0310	2298721	25	3152	2299555	25	8925
2297091	25	2890	2297912	25	5477	2298256	4	0310	2298724	25	0230	2299556	26	6255
2297091	25	3124	2297913	25	5480	2298258	4	0700	2298726	25	7790	2299557	14	0790
2297097	25	5970	2297914	25	5480	2298259	4	0700	2298727	25	7790	2299566	7	1680
2297251	25	3530	2297915	25	4815	2298260	4	0920	2298728	25	7790	2299589	11	0495
2297252	25	3525	2297915	25	5590	2298261	4	0920	2298729	25	7790	2299596	16	1130
2297265	25	2105	2297916	25	4715	2298266	1	0320	2298730	25	0910	2299597	25	6035
2297266	25	2105	2297917	25	4623	2298267	1	0350	2298736	25	0840	2299598	25	8705
2297271	25	2200	2297918	25	5653	2298267	4	0970	2298785	8	5208	2299599	25	8705
2297271	25	3120	2297919	25	5620	2298268	1	0320	2298904	26	9250	2299660	14	0070
2297271	25	4670	2297921	25	5710	2298269	1	0320	2298920	25	2415	2299920	26	9545
2297272	25	4695	2297923	25	5665	2298270	4	0610	2298923	25	0580	2299921	26	2865
2297273	25	4695	2297924	25	5710	2298271	4	0610	2298930	25	0510	2299950	26	9330
2297274	25	2960	2297941	7	1120	2298272	4	0678	2298931	12	7470	2299957	25	8710
2297274	25	3138	2297942	7	1120	2298273	4	0190	2298933	25	4665	2299967	25	6215
2297283	25	5663	2297951	26	8230	2298274	4	1020	2298940	25	0540	2299970	7	1255
2297285	25	4025	2297953	26	9205	2298280	4	0005	2298942	25	0595	2299971	7	1255
2297288	25	0845	2297954	7	1260	2298283	2	0020	2298943	11	0400	2299976	25	6490
2297292	25	0235	2297955	7	1260	2298288	19	0740	2298950	25	5915	2300001	25	5820
2297303	25	0795	2297956	7	1310	2298297	4	0005	2299155	25	3523	2300002	4	6410
2297304	25	0795	2297957	7	1580	2298298	4	0010	2299157	7	5096	2300007	7	5095
2297309	25	0875	2297958	7	1580	2298299	4	0010	2299158	12	7560	2300010	25	3010
2297310	25	0875	2297962	8	4740	2298300	4	0030	2299161	26	2885	2300010	25	3148
2297312	25	0757	2297962	26	5265	2298301	19	0490	2299165	25	0030	2300011	25	8755
2297313	25	0757	2297962	26	7770	2298302	19	0490	2299166	12	7560	2300012	25	8755
2297314	25	0877	2297965	26	6895	2298304	2	0310	2299167	25	0565	2300015	25	6970
2297316	25	0793	2297966	4	3535	2298305	19	0830	2299169	25	0490	2300017	25	6970
2297317	25	0845	2297980	26	6015	2298306	19	0830	2299170	25	0490	2300018	25	6970
2297318	25	0867	2297983	25	7237	2298353	25	1320	2299171	25	2387	2300019	25	7225
2297319	25	0075	2297984	7	1750	2298357	26	9235	2299172	25	2387	2300020	25	4380
2297320	25	0877	2298001	25	3062	2298359	25	5185	2299173	25	2415	2300023	25	2435
2297323	8	0047	2298002	25	3134	2298363	25	1035	2299174	25	0183	2300024	25	6970
2297324	8	0047	2298003	25	3062	2298364	25	1080	2299175	25	2345	2300025	25	2435
2297325	25	3725	2298004	25	3134	2298367	25	0185	2299190	25	6060	2300026	25	8337
2297330	25	3795	2298005	25	4353	2298368	25	5255	2299200	25	8110	2300031	7	8350
2297331	25	3795	2298007	25	7750	2298371	25	7120	2299210	25	4945	2300035	4	6440
2297339	25	5910	2298026	25	2200	2298372	25	7120	2299211	26	6035	2300037	6	0260
2297341	25	6000	2298027	25	2200	2298378	25	1320	2299215	25	2930	2300039	25	5545
2297342	25	6000	2298027	25	4935	2298380	25	0185	2299223	25	3810	2300042	25	7255
2297347	25	2165	2298030	25	0185	2298381	25	0185	2299225	25	8035	2300043	25	7255
2297447	7	0990	2298032	26	6205	2298389	25	1320	2299226	25	8035	2300050	25	4323
2297495	4	0990	2298035	25	3118	2298391	25	1340	2299227	25	8035	2300052	25	7120
2297774	25	3795	2298037	26	6205	2298391	26	2645	2299232	11	0400	2300053	25	7250
2297802	8	0250	2298038	25	1350	2298391	26	9165	2299233	26	8250	2300056	25	2435
2297805	25	7750	2298038	25	4318	2298397	26	7740	2299235	26	8235	2300071	25	7250
2297806	25	7750	2298040	25	0080	2298398	26	4790	2299236	25	3152	2300072	25	2345
2297821	25	7145	2298041	25	0080	2298401	25	0183	2299243	26	9495	2300076	25	4665
2297827	25	2845	2298042	25	0230	2298404	25	5200	2299248	25	2380	2300078	7	8253
2297827	25	3100	2298043	25	0230	2298406	25	1035	2299250	25	6070	2300079	25	8475
2297834	25	4020	2298044	25	1390	2298406	25	1037	2299254	7	4766	2300087	25	8225
2297835	25	3795	2298050	25	1390	2298407	25	1080	2299258	25	2435	2300088	25	8225
2297836	25	3910	2298052	25	2165	2298421	25	5217	2299260	25	2817	2300089	25	8337
2297837	25	3910	2298053	25	2193	2298422	26	5240	2299260	25	3104	2300094	25	8210
2297838	25	3910	2298057	25	0125	2298423	25	5235	2299264	25	4665	2300095	25	8210
2297839	25	3910	2298058	25	2200	2298426	25	5200	2299267	25	0590	2300304	25	8210
2297839	25	4115	2298059	25	0125	2298427	11	0469	2299282	7	7330	2300306	25	8210
2297839	25	4395	2298060	25	0125	2298428	11	0567	2299287	25	2423	2300313	25	3200
2297840	25	4115	2298061	25	2200	2298429	11	0567	2299295	25	2387	2300314	25	3200
2297841	25	3910	2298062	25	2200	2298434	25	8505	2299298	25	8403	2300317	25	3200
2297845	25	3235	2298063	25	2200	2298441	25	2260	2299299	25	8403	2300324	25	4310
2297847	25	4007	2298064	25	2200	2298561	4	3270	2299300	25	8403	2300328	7	6545
2297849	25	0803	2298065	25	2700	2298567	4	3280	2299301	25	8403	2300329	7	6395
2297850	25	0803	2298067	25	3124	2298601	7	5088	2299305	25	2455	2300330	7	7370
2297857	25	2470	2298068	25	2165	2298602	7	5088	2299306	25	2385	2300331	25	8247
2297858	25	0183	2298069	25	2165	2298622	7	1620	2299309	25	8585	2300332	25	8247
2297869	25	0855	2298072	25	3160	2298623	16	0690	2299316	25	2430	2300333	25	8295
2297873	25	2530	2298073	25	3162	2298653	25	8350	2299317	25	2430	2300334	25	8295
2297874	25	2530	2298074	25	3130	2298655	25	8350	2299320	26	2885	2300338	25	6060
2297875	25	2560	2298075	25	3130	2298656	25	8350	2299326	6	1970	2300341	25	8225
2297876	25	2533	2298076	25	3124	2298657	25	8350	2299338	25	4365	2300342	25	8475
2297877	25	2550	2298077	25	3130	2298658	25	8350	2299341	25	4790	2300344	25	3200
2297878	25	2975	2298078	26	8265	2298659	25	8350	2299342	25	4790	2300345	25	3200
2297879	25	3140	2298080	26	8270	2298684	7	1210	2299343	25	4790	2300348	25	8475
2297880	25	2975	2298081	25	3635	2298685	7	1190	2299344	25	8005	2300349	25	8253
2297880	25	3140	2298083	25	3827	2298686	7	1223	2299345	25	8005	2300350	25	8253
2297882	25	0183	2298084	25	3162	2298688	7	1210	2299350	25	58			

2300372	25	7750	2301252	25	2704	2301852	7	7163	2303022	11	0467	2303782	11	0400
2300373	25	7750	2301256	25	2704	2301855	7	7077	2303023	11	0467	2303783	11	0400
2300376	25	0185	2301257	7	8160	2301857	25	3265	2303037	25	4973	2303786	26	9585
2300377	25	4813	2301257	7	8290	2301858	25	3265	2303050	25	7440	2303787	26	9570
2300378	25	4813	2301258	7	8290	2301861	26	6050	2303051	25	7440	2303788	6	1160
2300381	25	4665	2301261	25	0170	2301862	26	6045	2303053	25	8567	2303797	11	0400
2300386	25	8375	2301265	25	2680	2301863	4	6445	2303056	25	7485	2303798	11	0400
2300387	25	8375	2301266	26	7520	2301866	25	4670	2303057	25	7485	2303900	4	3555
2300390	7	5095	2301274	25	3863	2301868	25	8511	2303058	25	7355	2303901	4	3583
2300391	7	4945	2301279	25	6897	2301870	25	0710	2303062	25	6970	2303902	4	3650
2300392	25	0027	2301280	7	5075	2301871	25	5173	2303065	25	6970	2303904	25	5477
2300393	25	0027	2301281	7	8163	2301878	7	8160	2303066	25	6970	2303935	26	7435
2300396	25	0750	2301284	7	1195	2301884	25	3467	2303071	7	7225	2303935	26	9545
2300399	25	8403	2301285	7	1195	2301885	25	3503	2303072	7	6389	2303936	26	7270
2300400	25	8403	2301286	7	1195	2301886	25	5662	2303075	26	2765	2303937	26	7270
2300751	25	0720	2301287	25	2857	2301891	7	6820	2303076	16	0615	2303948	7	7480
2300752	25	0690	2301288	6	1735	2301892	7	6820	2303079	7	1195	2303949	7	7480
2300756	25	4657	2301292	14	0130	2301893	7	6935	2303080	7	1195	2303953	5	0940
2300758	25	4727	2301295	25	3725	2301896	26	6030	2303086	25	0083	2303953	17	3755
2300763	25	4745	2301297	25	5657	2301897	26	6110	2303087	25	0083	2303957	25	8120
2300769	25	0615	2301300	25	8590	2301901	25	2703	2303088	25	7945	2303959	25	7670
2300770	25	0750	2301477	7	1594	2301907	25	2703	2303089	25	8615	2303966	25	6920
2300771	25	0697	2301478	7	1594	2301915	25	2707	2303091	25	8565	2303967	25	6285
2300772	25	0675	2301479	25	8650	2301918	25	5515	2303092	25	7940	2303970	25	6830
2300772	25	0680	2301482	7	7485	2301923	25	9120	2303095	25	0665	2303971	25	6240
2300774	25	9117	2301483	7	7490	2301926	26	5235	2303096	25	6635	2303978	26	2780
2300775	25	9120	2301484	16	0290	2301935	26	7745	2303100	25	9117	2303983	25	7145
2300776	25	9090	2301486	16	0700	2301946	25	7330	2303304	26	6555	2303986	26	2905
2300779	25	4780	2301487	16	0465	2302072	4	0010	2303305	2	1540	2303996	25	7505
2300782	25	0640	2301489	16	0720	2302073	4	0010	2303351	1	0020	2304000	25	7310
2300798	25	2170	2301492	4	3714	2302113	1	0010	2303352	1	0030	2304006	26	2925
2300803	25	4323	2301494	4	3711	2302257	25	2485	2303353	1	0030	2304006	26	9320
2300804	25	4323	2301495	4	3717	2302258	25	0623	2303371	1	0120	2304008	25	7930
2300806	25	7255	2301496	4	3710M	2302268	26	7735	2303378	26	8220	2304009	25	7930
2300807	25	4323	2301497	4	3713B	2302269	25	0175	2303378	26	8223	2304012	25	3150
2300808	25	7255	2301498	4	3717	2302270	25	0175	2303379	26	8200	2304038	25	2165
2300809	25	7255	2301499	4	3713E	2302271	25	0170	2303381	26	8210	2304040	25	8285
2300810	26	6730	2301500	4	3713	2302272	25	2490	2303382	26	8200	2304041	25	8255
2300813	26	6865	2301520	18	0070	2302273	25	6970	2303383	26	8220	2304041	25	8337
2300814	26	6730	2301524	4	5480	2302274	25	6970	2303383	26	8225	2304048	26	2850
2300815	26	6825	2301525	4	5480	2302277	25	8519	2303602	25	7670	2304049	26	2825
2300817	25	2185	2301526	4	5480	2302278	7	8310	2303604	26	9200	2304050	25	3810
2300825	25	7790	2301527	4	5480	2302280	25	7210	2303606	25	2213	2304201	26	9390
2300826	25	7790	2301528	7	1130	2302290	25	6635	2303610	25	3114	2304203	8	5835
2300829	25	8519	2301529	7	1210	2302292	7	8169	2303613	25	3142	2304206	25	3745
2300831	26	7510	2301530	7	1190	2302298	25	8210	2303614	25	3158	2304212	26	2860
2300839	26	7680	2301531	7	1130	2302299	25	8210	2303616	25	3146	2304213	25	2890
2300844	26	7635	2301532	7	1210	2302333	25	2367	2303621	26	8273	2304216	25	6245
2300845	26	7670	2301533	7	1130	2302349	25	0090	2303624	26	8236	2304216	26	9385
2300846	26	7515	2301534	7	1210	2302616	26	7765	2303625	26	8236	2304221	26	2850
2300847	26	7535	2301535	7	1190	2302629	25	7790	2303626	26	8238	2304221	26	2855
2300848	26	7670	2301536	7	1130	2302630	25	7790	2303627	26	8244	2304222	26	2850
2300849	26	7670	2301537	7	1210	2302631	25	7790	2303633	26	8265	2304235	25	2283
2300850	4	6410	2301538	7	1722	2302632	25	7790	2303639	25	2117	2304240	26	2625
2300958	26	9345	2301539	7	1732	2302633	25	7790	2303640	25	2117	2304246	25	3745
2300959	26	8200	2301540	7	1729	2302634	25	7790	2303641	25	2117	2304247	26	9400
2300962	26	6850	2301541	7	1724	2302646	25	8110	2303642	26	8265	2304248	26	2735
2300967	26	7665	2301546	7	1150	2302647	25	8110	2303648	25	8120	2304250	26	9430
2300968	26	8190	2301547	7	1150	2302648	25	8110	2303649	25	8120	2304251	26	9420
2300985	7	1580	2301548	7	1150	2302649	25	8110	2303652	25	8120	2304253	25	7145
2300996	7	8168	2301549	7	1150	2302650	25	8110	2303653	25	8120	2304254	25	7145
2301205	26	7540	2301701	7	1199	2302651	25	7790	2303654	25	8120	2304264	26	2900
2301206	26	7540	2301702	7	1199	2302652	25	7790	2303655	25	8120	2304265	16	5220
2301207	26	7540	2301706	26	7780	2302653	25	7790	2303656	25	8120	2304266	26	7495
2301208	26	7540	2301720	14	0780	2302654	25	7790	2303657	25	8120	2304268	26	2915
2301209	25	5657	2301722	25	7045	2302655	25	7790	2303658	25	8120	2304268	26	9310
2301210	25	5657	2301731	25	7615	2302656	25	7790	2303659	25	8120	2304305	26	2810
2301211	26	7670	2301732	26	7450	2302657	25	7790	2303660	25	8120	2304306	25	7113
2301213	7	1905	2301734	25	0135	2302662	25	1260	2303661	25	8120	2304307	25	7113
2301214	25	3102	2301735	26	7715	2302663	25	1260	2303662	25	8120	2304311	26	4805
2301216	25	2673	2301736	25	8517	2302664	25	1160	2303663	25	8120	2304319	25	7110
2301216	25	3102	2301746	25	8930	2302665	25	7670	2303664	25	8120	2304323	25	7110
2301219	25	2673	2301747	25	8955	2302666	25	7670	2303665	25	8120	2304326	25	7345
2301219	25	3102	2301748	25	8935	2302681	25	2270	2303666	25	8120	2304327	25	7215
2301220	25	1478	2301749	25	8935	2302682	25	2270	2303667	25	8120	2304337	25	3130
2301220	25	3102	2301750	25	8935	2302683	25	2270	2303720	25	8120	2304338	26	2815
2301224	25	1557	2301766	25	7360	2302689	25	6970	2303722	25	3240	2304340	25	0190
2301224	25	2725	2301768	7	6565	2302690	26	9200	2303727	25	7090	2304345	25	7120
2301224	25	3156	2301785	7	7275	2302691	26	9200	2303728	25	7090	2304346	25	7120
2301225	25	2677	2301786	26	6055	2302693	25	7085	2303744	7	6418	2304350	25	7113
2301225	25	3106	2301788	4	5010	2302695	25	5757	2303747	25	6740	2304351	25	6700
2301226	25	3106	2301828	1	0320	2302697	25	3810	2303752	25	5970	2304357	25	9065
2301228	25	9027	2301841	16	0330	2302698	25	3810	2303758	25	8120	2304358	25	9065
2301229	25	9027	2301842	16	0350	2302699	25	6970	2303762	25	4945	2304373	25	4318
2301232	26	4820	2301843	16	0315	2303009	25	3815	2303772	7	8300			

2304388	16	3268	2305290	25	7560	2305900	16	4360	2308632	25	8120	2313045	4	4882
2304389	16	3262	2305292	26	9195	2305901	16	4340	2308633	25	8120	2313046	4	4940
2304391	16	3236	2305293	26	9195	2305902	16	4150	2308634	25	8120	2313047	4	4927
2304393	25	6185	2305295	25	7590	2305904	16	4070	2308820	26	7665	2313048	4	4908
2304395	25	6890	2305296	25	7590	2305905	16	4240	2308860	25	8120	2313049	4	4903E
2304543	14	0420	2305297	25	6440	2305940	25	8965	2308862	25	7120	2313050	4	4884
2304601	25	6660	2305298	26	9170	2305975	19	0160	2308863	25	7120	2313051	4	4883
2304604	25	6335	2305300	26	4795	2305977	19	0160	2308863	25	7120	2313052	4	4881
2304605	26	2850	2305311	25	7615	2305978	19	0460	2308944	25	6365	2313054	4	4903F
2304607	25	2203	2305331	25	8970	2305979	19	0460	2308947	26	9410	2313055	4	4902
2304608	25	2213	2305332	25	8970	2306351	25	6765	2309255	4	5367	2313059	26	9545
2304613	25	2433	2305334	25	8965	2306352	25	6580	2309273	16	4400	2313067	26	9545
2304615	25	2423	2305383	4	5360	2306353	25	6270	2309276	4	3615	2313068	26	9545
2304618	25	2677	2305384	4	5355	2306354	25	6590	2309473	2	0120	2313080	16	4040
2304619	14	0140	2305385	4	5365	2306355	25	6390	2309682	14	0408	2313081	16	4090
2304621	25	3015	2305386	4	5353	2306356	25	6325	2309860	4	4860	2313145	4	3719T
2304622	25	0575	2305504	8	0047	2306357	25	6365	2309923	25	7237	2313298	8	0255
2304623	25	0575	2305507	25	3200	2306358	25	6365	2310335	25	4335	2313299	8	0255
2304626	25	2695	2305508	25	3200	2306359	25	6395	2310413	25	8125	2313313	25	4705
2304628	25	7435	2305512	4	6380	2306360	25	6465	2310414	25	7120	2313314	25	4705
2304630	25	5660	2305515	26	7475	2306361	25	6435	2310448	25	3240	2313766	14	0372
2304631	25	5660	2305552	25	8535	2306363	25	6460	2310469	25	1734	2313791	25	1515
2304632	25	6845	2305559	7	8310	2306364	25	6345	2310470	25	1734	2313926	11	0590
2304638	25	7750	2305569	16	5170	2306365	25	6675	2310481	25	5297	2314062	26	5240
2304639	25	7750	2305570	7	8310	2306367	25	6360	2310484	25	5203	2314062	26	7225
2304641	16	3195	2305572	26	9170	2306368	25	6605	2310527	26	4840	2314062	26	7595
2304642	25	7750	2305573	26	9175	2306370	7	1255	2310529	26	4845	2314068	25	0725
2304643	25	7750	2305575	4	6440	2306371	4	3719Q	2310546	26	7150	2314117	16	1085
2304644	25	7750	2305580	25	8230	2306372	4	3719T	2310547	26	7320	2314167	26	6205
2304645	25	7750	2305584	25	7770	2306374	4	3719L	2310548	26	7145	2314168	25	0115
2304650	26	8237	2305712	5	0030	2306377	4	3719M	2310549	26	7335	2314172	26	6205
2304656	26	9445	2305715	8	0201	2306387	25	8725	2310572	25	8495	2314173	26	6190
2304657	26	9355	2305765	25	7115	2306389	25	8770	2310612	16	5175	2314266	25	7790
2304660	25	2203	2305772	25	0625	2306390	25	8770	2310814	25	5230	2314267	25	7790
2304665	14	0150	2305778	25	0690	2306410	16	0842	2310815	25	5230	2314700	25	3107
2304666	14	0150	2305782	7	8230	2306411	16	0815	2310823	25	1035	2314742	7	6401
2304668	25	6420	2305795	25	7750	2306412	16	0875	2311119	25	3265	2314759	14	0360
2304671	25	7790	2305796	25	7750	2306424	2	0010	2311120	25	3265	2315009	17	0460
2304672	25	7790	2305797	26	9460	2306427	19	0280	2311247	4	3329	2315010	17	1750
2304675	25	7790	2305798	26	6040	2306427	19	0380	2311251	1	0150	2315187	25	9031
2304676	25	7790	2305799	25	6880	2306434	5	0030	2311360	16	5150	2315188	25	9034
2304679	25	7115	2305800	7	1594	2306453	1	0010	2311366	12	0590	2315268	25	0090
2304681	25	5135	2305807	25	3146	2306490	4	0990	2311379	7	1155	2315403	26	5240
2304682	25	5305	2305818	25	8210	2306496	2	1070	2311380	7	1155	2315403	26	7225
2304694	26	4980	2305828	25	1607	2306617	25	7487	2311603	25	2450	2315419	4	3380
2305110	16	4500	2305832	16	0010	2306618	26	7270	2311603	25	4780	2315422	26	9395
2305132	16	5080	2305833	16	3130	2306653	4	6395	2311603	26	2905	2315436	25	9025
2305134	16	4800	2305835	16	0777	2306664	26	9160	2311697	16	5180	2315437	25	9025
2305142	1	0010	2305836	16	0777	2307216	25	6713	2311699	16	5180	2315442	6	2845
2305143	1	0010	2305838	25	4980	2307218	25	6260	2311747	25	8125	2315443	26	9340
2305144	16	5060	2305841	25	7277	2307219	25	6445	2311750	25	9032	2315444	26	9345
2305169	26	7565	2305846	25	4793	2307221	25	7110	2311759	25	5230	2315499	26	8290
2305170	26	7610	2305847	25	6430	2307224	25	7347	2311762	25	5230	2315533	16	0430
2305171	26	7695	2305850	25	7543	2307227	25	7113	2311766	25	5297	2315543	4	3330
2305172	26	7730	2305851	16	4500	2307228	25	7113	2311767	25	5203	2315544	4	3330
2305173	26	7570	2305852	16	4300	2307229	25	1605	2311768	25	5255	2315570	7	8200
2305174	26	7755	2305854	16	4000	2307232	25	4657	2311770	25	5217	2315573	4	6445
2305175	26	7645	2305856	16	4060	2307255	25	0005	2311771	25	5200	2315574	4	6410
2305176	19	0610	2305860	16	4220	2307286	16	5140	2311773	25	5173	2315583	4	6380
2305201	25	2165	2305861	16	4260	2307286	16	5155	2311774	25	5135	2315584	4	6375
2305205	25	2470	2305862	16	4050	2307300	25	2316	2311776	25	5235	2315883	4	3633
2305206	25	2530	2305866	16	4210	2307478	4	5300	2311780	25	5200	2315934	25	6550
2305207	25	2490	2305868	16	4320	2307884	25	0670	2311781	25	4665	2315935	25	6950
2305208	25	2550	2305870	16	4410	2307893	17	0410	2311786	25	4797	2315936	25	6372
2305209	25	6005	2305871	16	4180	2308201	4	0956	2311786	25	5283	2315937	25	6700
2305213	26	7415	2305872	16	4330	2308202	4	0956	2311793	25	5203	2315938	25	6830
2305214	25	6430	2305873	16	4370	2308326	16	1130	2311987	12	6800	2315939	25	6472
2305217	25	6630	2305875	16	4420	2308401	25	8120	2311989	12	6620	2315940	25	6847
2305222	16	5100	2305878	16	4460	2308402	25	8120	2311990	12	6580	2315941	25	6208
2305223	26	2825	2305879	16	4140	2308403	25	8120	2312060	25	5280	2315942	25	6208
2305232	26	2780	2305880	16	4400	2308404	25	8120	2312074	25	5150	2316021	14	0350
2305234	26	5270	2305881	16	4100	2308405	25	8120	2312118	25	4665	2316022	26	6205
2305235	26	5270	2305883	16	4200	2308406	25	8120	2312191	14	0340	2316669	25	5445
2305236	4	6195	2305884	16	4440	2308408	25	7120	2312192	14	0340	2316789	26	9545
2305236	26	7195	2305885	16	4380	2308409	25	7120	2312193	14	0340	2316960	26	4700
2305237	25	6415	2305887	16	4218	2308411	25	7120	2312313	4	3575	2316962	7	7450
2305255	26	7580	2305888	16	4030	2308412	25	7120	2312335	4	1020	2316967	16	5175
2305256	26	9475	2305890	16	4390	2308413	25	7120	2312886	25	8973	2316970	7	7475
2305257	14	0030	2305891	16	4280	2308414	25	7120	2312888	16	4785	2317068	26	6075
2305266	25	3265	2305893	16	4170	2308549	26	6916	2312891	16	4010	2317166	26	6825
2305267	25	3265	2305894	16	4190	2308601	11	0370	2312963	14	0368	2317314	26	6865
2305274	26	7425	2305895	16	4120	2308601	25	2316	2313035	4	4865	2317314	26	6870
2305277	26	7465	2305896	16	4230	2308611	25	7605	2313037	4	4930	2317321	26	6730
2305279	26	7480	2305896	16	4235	2308612	25	7430	2313038	4	4928	2317331	7	8310
2305282	25	5150	2305897	16	4290	2308624	25	7120	2313039	4				

2318030	16	5065	2320830	25	7467	2323703	26	6700	2323805	26	7255	2323905	26	5875
2318042	25	6562	2320832	25	7562	2323704	26	6835	2323806	26	7250	2323906	26	5860
2318048	25	6226	2320834	25	7467	2323705	26	5160	2323807	26	7320	2323907	26	5855
2318049	25	6765	2320835	25	7467	2323706	26	6920	2323808	26	7260	2323908	26	5900
2318050	25	6580	2320836	25	7538	2323707	26	6920	2323809	26	7260	2323909	26	5902
2318051	25	6270	2320836	25	7564	2323708	26	6900	2323810	26	7300	2323910	26	5840
2318052	26	9305	2320842	25	5710	2323709	26	6755	2323811	26	7350	2323911	26	5755
2318053	26	9280	2320844	25	5710	2323710	26	6225	2323812	26	7260	2323912	26	5790
2318054	26	9295	2320845	25	5710	2323711	26	7565	2323813	26	7120	2323913	26	5715
2318056	26	9230	2321035	25	5527	2323712	26	7760	2323814	26	6975	2323914	26	5812
2318057	26	9285	2321037	25	5472	2323713	26	7610	2323816	26	6665	2323917	26	5900
2318059	26	9270	2321038	25	5573	2323714	26	6235	2323818	26	7370	2323945	26	6580
2318060	26	9230	2321072	26	8525	2323715	26	4905	2323819	26	7370	2323946	26	6580
2318061	26	9210	2321090	12	0405	2323716	26	4920	2323820	26	7380	2323947	26	6580
2318062	26	9220	2321090	26	7775	2323717	26	6310	2323821	26	7385	2323948	26	6580
2318063	26	9220	2321091	16	5020	2323718	26	6310	2323822	26	7155	2323949	26	6580
2318064	26	9255	2321092	16	4710	2323719	26	6390	2323823	26	5090	2323950	26	6580
2318093	25	4650	2321122	22	0060	2323720	26	6385	2323824	26	4865	2324641	16	4800
2318094	25	5510	2321422	4	6665	2323721	26	6355	2323826	26	4960	2324642	16	4900
2318151	25	6992	2321506	12	0085	2323722	26	6315	2323827	26	5105	2324795	26	6580
2318211	16	4141	2321533	26	4730	2323723	26	6405	2323828	26	5130	2324796	26	6580
2318212	16	4228	2321539	25	1090	2323724	26	6337	2323829	26	5060	2324798	26	6605
2318214	16	4185	2321752	26	8345	2323725	26	6337	2323830	26	5050	2324824	25	6798
2318216	16	4227	2321911	16	5040	2323726	26	6350	2323831	26	4885	2324940	4	3719R
2318217	16	4237	2321912	16	5040	2323727	26	7245	2323832	26	5085	2324942	4	3719G
2318221	16	4380	2321957	17	2665	2323729	26	7095	2323833	26	5145	2324944	4	3642
2318222	16	4365	2321958	4	7087	2323730	26	7080	2323834	26	5005	2324945	4	3643
2318228	16	4235	2321975	17	2897	2323732	26	7055	2323835	26	4945	2324946	4	3634M
2318232	16	5085	2322129	26	9160	2323733	26	7010	2323836	26	4955	2324947	4	3575
2318233	16	4965	2322176	26	6655	2323734	26	7345	2323837	26	5080	2324948	4	3630
2318455	26	6205	2322341	14	0260	2323734	26	7400	2323838	26	4915	2325323	16	4218
2318538	26	8245	2322342	14	0260	2323735	26	6645	2323840	26	4985	2325626	4	3719N
2318547	26	6205	2322399	26	8000	2323736	26	6670	2323841	26	5015	2325911	26	6475
2318670	8	5410	2322610	2	0220	2323737	26	6650	2323843	26	7820	2325912	26	6475
2318790	25	6440	2322683	25	6353	2323738	26	6685	2323844	26	8020	2325913	26	6475
2318800	25	6440	2322758	26	9305	2323740	26	7400	2323845	26	7840	2325914	26	6475
2318868	26	8425	2322759	26	9205	2323741	26	7400	2323846	26	8005	2325915	26	6475
2318872	26	9495	2322760	26	9295	2323742	26	8275	2323847	26	7870	2325916	26	6475
2318873	26	6205	2322761	26	9270	2323743	26	8015	2323849	26	8025	2325917	26	6475
2318874	26	6205	2322762	26	9230	2323744	26	7850	2323851	26	7860	2325918	26	6475
2318875	26	5270	2322763	26	9300	2323745	26	5770	2323852	26	7860	2325919	26	6475
2318877	26	6180	2322764	26	9220	2323745	26	8090	2323853	26	7860	2325920	26	6475
2318878	26	8270	2322807	4	3719E	2323746	26	8090	2323856	26	7910	2325921	26	6475
2318879	26	5270	2323095	26	6850	2323747	26	8070	2323857	26	7875	2325922	26	6475
2318917	26	6190	2323189	26	9260	2323749	26	8115	2323858	26	7995	2325923	26	6475
2318935	26	5260	2323587	26	8265	2323749	26	8120	2323859	26	7880	2325924	26	6475
2319249	25	6440	2323633	4	3719B	2323750	26	8110	2323863	26	8105	2325925	26	6475
2319326	26	9545	2323645	4	6410	2323751	26	8130	2323864	26	8170	2325926	4	3545
2319327	26	9545	2323652	26	6575	2323752	26	8160	2323867	26	8140	2325927	4	3630
2319328	26	9545	2323653	26	6575	2323753	26	8170	2323868	26	8062	2325934	26	7380
2319329	26	9545	2323654	26	6740	2323754	26	8155	2323868	26	8085	2326309	16	4870
2319344	8	5345	2323655	26	6230	2323755	26	4875	2323869	26	8075	2326310	16	4930
2319451	26	9325	2323657	26	6325	2323756	26	4875	2323870	26	8180	2326311	16	5045
2319453	26	7420	2323658	26	7280	2323757	26	8175	2323871	26	8180	2326312	16	4870
2319541	26	5240	2323659	26	7140	2323758	26	5000	2323872	26	8065	2326397	25	4745
2319547	25	6740	2323660	26	7060	2323758	26	6595	2323873	26	8150	2326398	25	4745
2319548	26	5250	2323661	26	6640	2323759	26	4935	2323874	26	8165	2326399	25	4745
2319752	18	0438	2323663	26	7795	2323760	26	5140	2323875	26	8060	2326504	4	6405
2319757	7	7470	2323664	26	8050	2323761	26	5140	2323876	26	8140	2326548	16	4140
2319759	7	7455	2323665	26	8145	2323762	26	5040	2323877	26	8180	2326549	16	4020
2319760	7	7465	2323668	26	6465	2323763	26	5075	2323878	26	8095	2326550	16	4110
2319839	16	5175	2323669	26	6520	2323764	26	5155	2323879	26	5860	2326569	26	6605
2319893	16	3197	2323670	26	6565	2323765	26	4900	2323880	26	5810	2326570	26	6605
2319901	12	6560	2323671	26	6545	2323766	26	5025	2323881	26	5895	2326571	26	6605
2319958	26	6865	2323672	26	6545	2323767	26	4970	2323882	26	5745	2326572	26	6615
2319959	26	6885	2323673	26	6550	2323769	26	5300	2323883	26	5730	2326573	26	6615
2319960	26	6730	2323674	26	6480	2323770	26	5890	2323884	26	5750	2326574	26	6615
2319970	26	8250	2323675	26	6480	2323772	26	5990	2323885	26	5880	2326575	26	6615
2320109	25	6740	2323676	26	6485	2323773	26	6495	2323886	26	5720	2326596	4	6908
2320140	26	8265	2323678	26	6510	2323774	26	6495	2323887	26	5930	2327176	26	6915
2320168	26	8220	2323679	26	6540	2323775	26	6495	2323888	26	5800	2327247	16	4060
2320170	26	4820	2323680	26	6540	2323782	26	6490	2323889	26	5845	2327248	16	4160
2320191	26	5260	2323680	26	6855	2323783	26	6490	2323890	26	5885	2327250	16	4050
2320196	25	0187	2323681	26	6600	2323784	26	6560	2323891	26	5845	2327252	16	4110
2320204	26	7665	2323683	26	6620	2323787	26	6580	2323892	26	5897	2327253	16	4188
2320216	26	8230	2323691	26	6280	2323788	26	6590	2323892	26	5910	2327254	16	4200
2320223	26	7470	2323692	26	5850	2323789	26	6585	2323893	26	5915	2327256	16	4445
2320224	25	5655	2323693	26	5920	2323790	26	6580	2323894	26	5875	2327257	16	4236
2320225	25	5655	2323693	26	8180	2323791	26	6345	2323895	26	5760	2327258	16	4443
2320234	25	9165	2323694	26	5765	2323792	26	6380	2323896	26	5825	2327259	16	4195
2320245	26	5265	2323694	26	7245	2323792	26	6383	2323897	26	5905	2327260	16	4130
2320246	26	5265	2323695	26	6430	2323793	26	6360	2323898	26	5820	2327261	16	4115
2320263	16	5200	2323696	26	6445	2323799	26	7295	2323899	26	5795	2327262	16	4430
2320276	4	4930	2323697	26	6435	2323800	26	7180	2323900	26	5845	2327264	16	4310
2320277	4	4930	2323698	26	6435									

2327269	16	4000	2330289	25	7113	2335108	25	0237	2340302	12	6510	2345750	25	8678
2327270	16	4260	2330291	16	0777	2335108	25	0763	2340357	25	7425	2346876	26	8525
2327271	16	4440	2330293	16	0777	2335108	25	3907	2340364	12	6800	2346900	26	6277
2327317	26	8525	2330295	25	6970	2335109	25	2330	2340365	12	6800	2347397	26	6177
2327318	26	8525	2330296	25	6970	2335110	25	2710	2340372	8	0140	2350374	6	1760
2327319	26	8337	2330299	26	5283	2335110	25	2937	2340373	25	7790	2350377	25	7200
2327320	26	8323	2330300	26	5283	2335110	25	3132	2340374	25	7790	2350378	6	1760
2327321	26	8377	2330516	7	6240	2335112	25	3635	2340375	25	7790	2350391	6	1760
2327322	26	8483	2330516	7	6247	2335112	25	3867	2340376	25	7790	2350665	25	7552
2327326	26	8333	2330516	7	6335	2335113	25	1037	2340377	25	7790	2350666	25	7522
2327327	26	8515	2330516	7	6350	2335113	25	1473	2340378	25	7790	2350667	25	7384
2327328	26	8443	2330516	26	6025	2335143	25	6545	2340379	25	7790	2350668	25	7522
2327331	26	8515	2330518	7	6244	2335149	25	4780	2340380	25	7790	2350669	25	7621
2327332	26	8525	2330518	7	6244	2335476	26	7795	2340381	25	7790	2350670	25	7508
2327333	26	8335	2330525	7	6337	2335477	26	6275	2340382	25	7790	2350671	25	7384
2327334	26	8335	2330525	7	6345	2335478	26	7245	2340383	25	7790	2350672	25	7384M
2327335	26	8378	2330525	7	6350	2335480	26	5040	2340384	25	7790	2350673	25	7526
2327336	26	8375	2330561	26	9345	2335481	26	4860	2340385	25	7790	2350674	25	7427
2327337	26	8360	2330589	26	5320	2335482	26	8015	2340386	25	7790	2350675	25	7544
2327338	26	8446	2330594	25	5653	2335777	8	5750	2340387	25	7790	2350676	25	7472K
2327339	26	8457	2330783	26	6900	2335941	26	7980	2340388	25	7790	2350677	25	7463
2327340	26	8446	2331001	26	9363	2336122	5	0290	2340389	25	7790	2350678	25	7568
2327341	26	8295	2331010	26	6825	2336331	26	8073	2340417	26	8270	2350679	25	7567
2327342	26	8457	2331011	26	6825	2336332	26	8180	2340868	16	5175	2350680	25	7567
2327343	26	8320	2331054	26	5240	2336333	26	8160	2340869	16	5175	2350681	25	7592
2327344	26	8377	2331112	26	5265	2336334	26	8073	2341362	4	3717J	2350682	25	7567
2327345	26	8505	2331113	26	7270	2336743	4	0610	2341363	4	3713K	2350683	25	7536
2327346	26	8446	2331178	25	8765	2336744	4	0610	2341403	4	0890	2350684	25	7576
2327348	26	8395	2331188	26	9270	2336800	4	3189	2341583	25	7120	2350685	25	7556
2327349	26	8312	2331419	16	4610	2337387	16	4400	2341584	25	7120	2350686	25	7567
2327350	26	8320	2331420	16	1130	2337388	16	4400	2341587	25	7120	2350687	25	7622
2327379	26	9350	2331480	25	7577	2337389	16	4400	2341588	25	7120	2350688	25	7441
2327380	26	9360	2331482	25	7538	2337390	16	4020	2341801	25	8120	2350689	25	7441
2327381	26	9355	2331483	25	7457	2337391	16	4075	2341803	25	8120	2350691	25	7512
2327382	26	9370	2331484	25	7623	2337399	25	5661	2341805	25	8120	2350693	25	7384M
2327383	26	9365	2331485	25	7577	2337540	25	7503	2341807	25	8120	2350696	25	7512E
2327448	26	9225	2331499	16	0980	2337541	25	7502	2341809	25	8120	2350867	7	7275
2327449	26	9215	2331903	25	7537	2337542	25	7577	2341811	25	8120	2350908	14	0280
2327450	26	9240	2332391	4	1003	2337549	4	4904E	2341825	25	8120	2351132	2	0010
2327450	26	9265	2332399	25	7513	2337550	4	4904F	2341829	25	8120	2351512	7	7243
2328201	26	8446	2332457	26	9160	2337799	26	9205	2341831	25	8120	2351524	16	5180
2328202	26	8525	2332462	26	8703	2337802	26	7815	2341832	25	8120	2351526	16	5180
2328203	26	8315	2332500	26	6175	2337803	26	7870	2341835	25	8120	2351703	7	6240
2328204	26	8370	2333059	26	8310	2337963	25	8535	2341837	25	8120	2351703	7	6290
2328205	26	8446	2333060	26	8315	2338035	16	4310	2341839	25	8120	2351703	26	6020
2328206	26	8390	2333061	26	8370	2338102	4	3185	2341841	25	5970	2352141	4	5525
2328207	26	8540	2333063	26	8370	2338103	4	3185	2341843	25	7120	2352769	1	0010
2328208	26	8313	2333065	26	8461	2338107	18	0303	2341845	25	7120	2352770	1	0010
2328209	26	8438	2333066	26	8350	2338149	25	8693	2341847	25	7120	2353264	25	7200
2328210	26	8438	2333066	26	8355	2338169	4	4860	2341848	25	7120	2353265	6	1760
2328220	26	8437	2333067	26	8446	2338178	4	5587	2341851	25	7120	2353280	25	7200
2328223	26	8463	2333539	4	3708	2338180	4	5547	2341853	25	7120	2353318	19	0855
2328225	26	8397	2333575	26	8440	2338181	4	5303	2341855	25	7120	2353813	14	0115
2328226	26	8446	2333576	26	8315	2338185	4	5455	2341857	25	4945	2353901	14	0150
2328227	26	8525	2333577	26	8370	2338188	4	5390	2342046	16	5090	2353902	14	0150
2328229	26	8438	2333595	25	8770	2338189	4	5415	2342047	16	4750	2353921	25	7055
2328231	26	8525	2333614	14	0750	2338197	4	4882	2342047	16	4755	2354364	7	5860
2328232	26	8314	2333615	14	0745	2338304	4	5371	2342471	1	0010	2354365	7	5780
2328233	26	8490	2333624	14	0700	2338849	4	0985	2343174	26	9380	2354366	7	5945
2328234	26	8311	2333988	5	0270	2338853	4	0956	2343175	26	9140	2354549	14	0060
2328235	26	8505	2334207	11	0370	2338854	4	0956	2343222	25	4695	2355080	4	0993
2328816	16	5095	2334251	25	8005	2338891	26	7245	2343248	25	2685	2355084	4	3522
2328877	25	5305	2334252	25	8005	2339179	25	5435	2343248	25	2870	2355085	4	3581
2329088	12	0850	2334277	11	0380	2339428	4	3719V	2343248	25	3116	2355610	4	5292
2329202	16	5152	2334781	4	5205	2339429	4	3719K	2343289	4	5430	2355613	4	5562
2329203	16	5172	2334782	4	6410	2339533	4	3500	2343290	4	5430	2355640	25	7435
2329204	16	5094	2334801	14	0060	2339536	4	3645	2343291	4	5430	2355644	25	8120
2329205	16	5163	2334805	14	0080	2339675	25	3390	2343292	4	5430	2355645	25	8120
2329244	4	0940	2334809	14	0080	2339695	7	1616	2343337	25	6577	2355646	25	8120
2329245	4	0940	2334823	25	8645	2339695	7	6240	2343338	25	6387	2355647	25	8120
2330204	25	7255	2334824	25	8645	2339696	25	6167	2343339	25	6612	2355649	25	8120
2330227	26	6865	2334885	4	3719J	2339908	1	0030	2343340	25	6471	2355650	25	8120
2330228	26	6885	2334943	6	3050L	2339909	4	0310	2343341	25	6168	2355873	4	0625
2330240	8	6273	2335010	6	2030	2339910	19	0210	2343344	1	0010	2355896	4	0670
2330259	25	8110	2335010	17	0616	2339913	19	0440	2343493	26	9495	2356110	4	0020
2330260	25	8110	2335012	4	6410	2339914	7	5885	2343496	26	9363	2356111	4	0045
2330261	25	8110	2335012	6	2030	2339915	7	5945	2343634	26	9545	2356115	4	0045
2330262	25	8110	2335012	12	0185	2339916	7	5790	2343647	26	9545	2356126	26	8315
2330263	25	8035	2335012	26	7670	2339919	7	5750	2343648	26	9545	2356127	26	8370
2330267	25	7113	2335013	25	3460	2339920	7	5857	2343898	26	9155	2356198	4	3588
2330268	25	7113	2335017	25	5760	2339921	7	5830	2343902	26	9515	2356457	14	0408
2330269	25	7113	2335056	25	8375	2339922	7	5708	2343903	26	9515	2356518	16	4143
2330270	25	7120	2335066	25	5435	2340124	12	6620	2343956	4	7400	2356519	16	4265
2330271	25	7120	2335077	25	7200	2340128	12	6560	2344297	26	8525	2356521	16	4144
2330272	25	7120	2335077	26	5260	2340131	12	6580	2344327	26				

2356754	26	5710	2359447	25	0670	2364459	4	3588	2373078	6	2878	2383238	25	8120
2356830	8	0250	2359498	26	7775	2364475	4	5525	2373085	4	3556	2383239	25	8120
2356840	8	5278	2359844	25	7615	2366074	4	1000	2373114	25	3810	2383240	25	8120
2357018	25	8647	2359845	25	7571	2366076	4	1000	2373613	25	6894	2383241	25	8120
2357022	26	5797	2359846	25	7489	2366102	18	0030	2373614	25	6191	2383242	25	8120
2357023	26	5860	2359847	25	7489	2366104	18	0070	2373615	25	6530	2383243	25	8120
2357024	26	5810	2359848	25	7483	2366105	18	0400	2373616	25	6530	2383244	25	8120
2357025	26	5745	2359849	25	7489	2366106	18	0330	2373617	25	6305	2383245	25	5970
2357026	26	5750	2359850	25	7473	2366107	18	0270	2373618	25	6543	2383247	25	7120
2357027	26	5930	2359879	26	5125	2366108	18	0050	2373619	25	6323	2383248	25	7120
2357028	26	5800	2360000	6	1929M	2366632	4	6422	2373620	25	6235	2383249	25	7120
2357029	26	5757	2360226	25	5615	2366765	14	0117	2373627	25	6538	2383250	25	7120
2357030	26	5870	2360227	25	5615	2366954	4	3350	2373628	25	6538	2383262	16	4785
2357031	26	5887	2360249	25	1815	2367139	16	5195	2373634	16	0620	2383673	16	3190
2357032	26	5753	2360250	25	1815	2367172	25	3540	2373636	16	0680	2384333	16	3320
2357033	26	5888	2360269	25	0722	2367328	4	6405	2373638	4	3713B	2384382	25	8120
2357034	26	5882	2360279	25	1515	2368037	26	9447	2373661	26	7805	2384383	25	8120
2357035	26	5845	2360314	1	0010	2368038	26	9578	2373662	26	7935	2384384	25	8120
2357036	26	5875	2360315	1	0010	2368039	26	9578	2373690	1	0010	2384385	25	8120
2357037	26	5727	2360335	26	9382	2368040	26	9532	2374410	1	0010	2384386	25	8120
2357038	26	5895	2360346	1	0010	2368041	26	9568	2374466	4	0190	2384387	25	8120
2357039	26	5907	2360348	26	6250	2368351	25	6165	2374478	4	5255	2384388	25	7790
2357040	26	5728	2360349	26	4840	2368589	25	5615	2374490	4	5203M	2384389	25	7790
2357323	8	0140	2360350	26	6535	2368593	25	5615	2375155	14	0110	2384392	25	7790
2357613	25	7615	2360351	26	6785	2368631	5	0620	2375156	14	0110	2384393	25	7790
2357685	11	0495	2360353	26	7110	2368637	14	0064	2375753	16	4040	2384396	25	7790
2357902	25	7120	2360401	26	6825	2368647	14	0062	2375807	26	9253	2384398	25	7790
2357903	25	7120	2360402	26	6825	2368702	6	2946	2376291	25	7615	2384501	25	7790
2357904	25	7120	2360405	26	6865	2368703	6	2763	2376292	25	7470	2384502	25	7790
2357905	25	7120	2360406	26	6870	2368704	6	2946	2376293	25	7483	2384507	25	8567
2357906	25	7120	2360410	25	3910	2368705	6	2929	2376294	14	0124M	2384511	25	7790
2357908	25	7120	2360411	25	3822	2368706	6	3051P	2376295	14	0124M	2384512	25	7790
2357909	25	7120	2360413	11	0467	2368707	6	3060	2376600	12	0850	2384513	25	7790
2357910	25	7120	2360594	25	0690	2368708	6	3060	2377197	25	4905	2384514	25	7790
2357911	25	7120	2360633	16	4750	2368709	6	2878	2377712	4	0330	2384527	25	4657
2357912	25	7120	2360635	16	4938	2368710	6	2784	2377750	26	5817	2384528	25	4657
2357913	25	8120	2360651	25	5970	2368711	6	3202	2377774	4	3508	2384533	25	7790
2357914	25	8120	2360653	25	4305	2368712	6	3038	2378103	25	4905	2384534	25	7790
2357918	25	8120	2360696	25	0115	2368713	6	2767	2378564	25	7790	2385276	4	0370
2357920	25	8120	2360698	26	6730	2368970	16	3210	2378565	25	7790	2385277	4	0370
2357922	25	4657	2360716	25	6185	2369026	26	9183	2378566	25	7790	2385278	4	0370
2357923	25	4657	2360717	6	1600	2369513	16	4000	2378584	16	4870	2385280	4	0370
2357924	25	4945	2360736	25	1485L	2369541	25	6540	2378587	16	4750	2385288	4	0005
2357925	25	5080	2360737	11	0567	2369758	18	0140	2378589	16	4938	2385303	4	0005
2357925	25	4945	2360738	25	1485L	2370513	25	5615	2378613	12	0620	2385322	4	5225
2357934	25	4605	2360745	25	0710	2370586	4	5200	2378626	26	6465	2385323	4	5225
2357935	25	4695	2360859	4	5480	2370722	26	6340	2378672	4	6415	2385324	4	5225
2357936	25	4695	2360860	4	5480	2370728	16	3190	2378672	16	5190	2385325	4	5225
2357938	11	0512	2360861	4	5480	2370733	18	0050	2378672	26	9565	2385326	4	4942
2357942	12	7580	2360862	4	5480	2370761	25	6316	2378678	25	5040	2386091	14	0440
2357943	8	0190	2360864	4	5430	2370773	4	5365	2379192	14	0100	2386338	26	8373
2357947	25	2530	2360865	4	5430	2370775	4	5235	2379320	26	8100	2386339	26	8418
2357968	4	5514	2360866	4	5430	2370777	4	5322	2379322	25	6590	2386340	26	8540
2357969	4	5235	2360867	4	5430	2370779	4	5503	2379323	25	6894	2386341	26	8340
2357971	4	5315	2360875	1	0010	2371403	26	7428	2379324	25	6191	2386342	26	8318
2357971	4	5320	2360884	26	8540	2371404	26	7410	2379325	25	6530	2387074	6	0065
2357973	19	0380	2360889	4	0678	2371405	26	7433	2379326	25	6530	2387408	16	5092
2357978	1	0340	2360952	25	1465	2371406	26	7462	2379327	25	6235	2388107	25	3745
2358029	25	7490	2360955	25	0190	2371407	26	7463	2379486	26	8505	2388109	26	2703
2358071	8	0155	2360973	25	0640	2371408	26	7473	2379826	26	6185	2388506	26	9145
2358223	2	0020	2360997	6	1160	2371409	26	7433	2379827	26	6185	2388877	26	9240
2358228	4	0010	2360999	25	1035	2371410	26	7480	2379829	16	4525	2388878	26	9253
2358231	4	0010	2361583	4	0010	2371415	25	6561	2379853	4	7260	2388894	25	7470
2358232	4	0010	2361584	4	0010	2371418	25	6950	2379883	8	5835	2389443	25	9115
2358652	25	3225	2361868	25	7382	2371419	25	6390	2380119	25	7615	2389444	25	9121
2358659	12	7382	2361914	25	0615	2371420	25	6492	2380419	25	8547	2389821	4	5500
2358660	17	7382	2361919	25	0663	2371421	25	6421	2380522	17	0380	2389831	4	0890
2358663	25	3265	2361949	16	5180	2371422	25	6643	2381093	26	5150	2389983	12	0420
2358664	25	3265	2362368	16	4785	2371423	25	6574	2381152	25	7120	2390014	4	3500
2358665	25	3265	2362369	16	4810	2371424	25	6360	2381191	25	4125	2391384	16	3350
2358666	25	3265	2362370	16	5065	2371426	25	6802	2381192	25	4125	2391400	4	5275
2358669	25	8120	2362420	16	4330	2371427	25	6802	2381193	25	4125	2394057	4	0890
2358670	25	7120	2362421	16	4460	2371444	7	5867	2381251	18	0405	2394060	4	0985
2358672	25	8120	2362575	25	7255	2371499	4	0330	2381265	4	0170	2394606	25	3415
2358673	12	7661	2362576	25	7250	2371528	12	7560	2381346	26	9265	2397278	25	8535
2358674	12	7661	2362580	26	7665	2371575	16	4330	2381597	26	4842	2398307	26	8525
2358675	25	5970	2362598	26	8237	2371576	16	4400	2382490	4	0170	2398341	4	3719F
2358677	25	3025	2362599	26	8265	2371577	16	4400	2382493	4	0025	2399499	4	3643
2358677	25	3156	2362871	19	0160	2371578	16	4400	2382720	25	5511	2399678	4	6405
2358678	25	0640	2362872	19	0160	2371808	25	7180	2383208	25	1773	2400201	4	3545
2358680	25	0750	2363040	6	2140	2371911	19	0070	2383223	25	7135	2400202	4	3569
2358681	25	0690	2363044	16	4010	2371912	19	0070	2383231	25	7120	2400206	4	3598
2358815	4	3381	2363519	4	0190	2372305	25	6894	2383232	25	7120	2400300	6	2963
2358822	12	6147	2363543	26	7140	2372306	25	6191	2383233	25	7120	2400600	7	7240
2358823	12	6497	2363583	4	3545	2372307	25	6305	2383234	25	7120	2400721		

NUMERICAL INDEX

2401363	25	6635	4137121	25	1483	5126686	8	3950	5150757	6	1835	5154448	12	5400
2401698	4	3537	5023552	25	6885	5150013	8	0655	5150855	8	2800	5154452	8	4520
2401699	4	3630	5024654	6	1837	5150014	8	0510	5150856	8	2800	5154453	8	0660
2401700	4	3590	5024654	7	3410	5150020	8	0470	5150884	12	5570	5154462	8	3990
2401875	7	5200	5024654	7	4762	5150041	12	6470	5150889	12	5280	5154503	12	5520
2401876	17	3800	5040607	25	6622	5150051	8	0100	5150890	12	5340	5154538	8	4350
24C1932	16	4785	5055206	25	6640	5150052	8	0170	5150892	12	5590	5154640	8	2790
2401933	16	4787	5058316	25	6949	5150054	8	2030	5150894	12	5440	5155661	5	0220
2401934	16	4860	5058320	25	6304	5150057	16	4830	5150897	12	5720	5155710	8	3520
2401935	16	5090	5063988	25	6485	5150060	8	0500	5150898	12	5540	5155765	8	3840
2401936	16	4810	5063989	25	6530	5150081	8	1280	5150899	12	5190	5155816	7	5760
2401937	16	5065	5063991	25	6530	5150083	8	1400	5150900	8	3200	5155818	7	5870
2402037	8	4180	5064254	25	6354	5150084	8	1410	5150925	12	5630	5155819	7	5700
2402052	25	3390	5064255	25	6300	5150085	8	1370	5150941	12	5690	5155839	8	1925
2402201	4	3575	5076014	25	6640	5150086	8	1240	5150942	12	5420	5155996	5	0004
2402203	4	3643	5083192	25	6188	5150087	8	1330	5150943	12	5460	5156521	8	3570
2402734	14	0063	5087388	25	6304	5150087	8	2290	5150946	12	5670	5156528	8	3690
2403001	14	0227	5095420	25	6485	5150094	8	1870	5150994	12	6390	5156532	8	3690
2403002	14	0010	5095467	25	6585	5150095	8	1900	5151059	12	5580	5156683	8	3700
2403702	14	0780	5095557	25	6530	5150117	8	2930	5151121	12	0420	5156768	8	4440
2404043	16	4700	5110306	8	1540	5150130	8	0510	5151122	8	0510	5156769	8	4500
2405307	4	3198	5110317	8	0010	5150140	8	1890	5151272	8	1020	5156770	6	1910
2405332	4	37190	5110410	4	5338	5150147	8	3350	5151277	8	1360	5156782	8	4470
2405340	4	3555	5111335	12	6180	5150154	8	4420	5151344	8	1520	5156815	8	3840
2405341	4	3598	5111364	8	0010	5150155	8	4430	5151370	8	3660	5156816	8	3750
2405341	4	3650	5111368	8	4880	5150174	8	1680	5151370	8	4690	5156819	8	3880
2405574	6	0175	5111369	8	4880	5150181	8	1550	5151392	8	1670	5156955	8	3600
2405687	25	6950	5111422	8	1220	5150182	6	2390	5151430	8	3390	5157192	8	0670
2405945	19	0630	5111423	8	1290	5150188	6	2180	5151444	8	2310	5157194	8	0605
2406144	16	5097	5111424	8	1430	5150191	6	1920	5151487	12	5690	5157232	8	2740
2406161	16	5153	5111715	8	2640	5150193	6	2180	5151576	8	2080	5157274	8	1880
2406301	16	5095	5111798	6	1870	5150193	12	1690	5151601	8	0990	5157992	12	0530
2406302	16	5180	5111881	8	2745	5150199	12	1680	5152149	8	1780	5158673	8	1390
2406478	1	0010	5112373	8	3050	5150220	8	2770	5152381	8	4490	5158674	8	1790
2406924	4	5555	5112899	8	5110	5150233	8	2580	5152613	8	3750	5158819	12	5610
2407311	25	4318	5112908	12	6425	5150234	8	2610	5152804	8	2670	5158901	8	2890
2407322	25	3745	5113061	7	5760	5150238	8	2860	5152878	8	0500	5158903	12	5350
2407324	25	3745	5114011	6	2140	5150246	8	2600	5152904	8	4480	5158917	8	1430
2407333	25	4305	5114031	8	1440	5150246	12	5320	5152929	12	5660	5159080	12	5700
2407715	25	7385	5114208	8	3290	5150250	12	6500	5152944	12	5290	5159353	8	1830
2407733	16	5163	5114411	8	0010	5150251	12	6440	5152987	12	5550	5159383	8	3760
2407734	16	5152	5114442	8	2580	5150260	12	6260	5153046	8	4250	5159387	8	4770
2407735	16	5172	5114523	8	1550	5150263	12	6250	5153060	12	5510	5159423	8	4040
2407736	16	5094	5114528	8	2680	5150265	12	5430	5153117	8	0450	5160037	12	6340
2407939	25	7270	5114603	8	1530	5150265	12	6274	5153139	8	0430	5160302	8	1500
2407957	25	7310	5114904	8	3110	5150268	12	5250	5153144	8	1520	5160380	8	1730
2407958	25	7113	5115087	8	0930	5150269	12	5300	5153147	8	3550	5160408	16	4930
2408264	4	3218	5115097	8	0450	5150269	12	5330	5153154	8	3550	5160542	8	1830
2408845	6	2767	5115247	8	4408	5150269	12	6224	5153154	8	3560	5161003	12	1705
2408965	25	7120	5115321	12	6260	5150271	8	2170	5153247	8	3880	5163760	6	1650
2408966	25	7130	5115567	4	6410	5150279	8	2650	5153260	8	3680	5163760	8	4430
2410205	18	0030	5115572	8	1380	5150281	8	2870	5153284	8	3770	5165221	12	5310
2410268	19	0010	5115578	8	0450	5150285	8	2480	5153286	8	3780	5165244	16	5110
2410502	4	4908	5115656	8	2620	5150286	8	2590	5153309	8	3800	5166265	12	5265
2410534	4	0915	5115922	12	6390	5150289	8	0820	5153310	8	3810	5166540	8	4380
2411008	25	7472	5116357	8	0470	5150291	8	0740	5153311	8	3590	5166664	8	2050
2411053	4	4941	5117141	8	2360	5150292	8	0800	5153313	8	3650	5167380	8	4690
2411294	16	0440	5117369	12	0510	5150298	8	0960	5153313	8	4690	5167714	8	2367
2411802	16	5205	5118219	6	2120	5150299	8	1070	5153347	8	0440	5167727	8	2730
2415501	12	7440	5118219	8	2510	5150300	8	1110	5153356	8	1970	5168131	8	2790
2416005	26	8015	5118219	12	1630	5150302	8	1110	5153592	8	1960	5168555	7	5740
2416017	7	7390	5118219	12	5170	5150303	8	1050	5153617	8	3680	5169193	8	3470
2416451	4	0315	5118302	8	3610	5150304	8	0850	5153623	8	1480	5169195	8	3870
2416805	7	8290	5118353	8	2855	5150305	8	0850	5153627	8	4690	5169197	8	3890
2419398	26	6375	5119802	12	6295	5150310	8	0900	5153902	6	1670	5169460	8	2900
2961671	26	6085	5119974	8	0515	5150311	8	0900	5153902	8	4410	5170896	8	0510
2961758	26	5960	5120223	8	4960	5150312	8	1190	5153902	26	4750	5171922	16	4870
2961759	26	5960	5120224	8	4960	5150314	8	1000	5153911	8	2980	5172052	8	2910
2961760	26	5960	5120231	8	1300	5150318	8	0900	5153914	8	2260	5172347	8	2380
2961761	26	5960	5120602	8	4243	5150319	8	0860	5153938	8	2800	5172734	8	2330
2963962	7	8200	5120687	12	6160	5150322	8	1120	5153952	8	1290	5172865	8	2750
2964069	26	6070	5120726	8	2580	5150324	8	0890	5153986	8	2950	5172869	8	2570
2966170	7	8177	5120740	8	4330	5150325	8	0880	5153992	8	3430	5172871	8	2840
2969389	7	8200	5120930	8	0750	5150329	8	0630	5154082	8	0510	5172874	6	1830
3114169	7	8305	5120996	8	2390	5150333	8	0690	5154199	8	3630	5172875	6	1830
3125764	7	3353	5121182	8	0660	5150344	8	2560	5154204	8	4470	5173022	6	1967
3680760	18	0350	5121540	12	5550	5150345	8	2850	5154205	8	4225	5173048	6	1865
3686580	2	0430	5121588	8	2060	5150346	8	2780	5154215	8	4410	5173135	8	3530
3687550	8	6284	5121753	8	1310	5150348	8	2540	5154251	8	3590	5173329	8	2130
3688468	25	0135	5122279	12	0780	5150349	8	2710	5154319	8	0510	5173362	8	2530
3711896	7	6993	5123250	8	1110	5150361	6	1710	5154332	8	1840	5173363	8	2530
3711896	7	8166	5123383	8	1270	5150362	6	1960	5154360	8	1910	5173364	8	2810
3714775	2	0110	5123635	8	4380	5150372	8	2800	5154398	8	2880	5173365	8	2700
3715434	25	1584	5123700	8	0910	5150394	12	5380	5154398	12	1810	5173482	8	3170
3716109	7	0110	5123994	8	0010	5150542	8	2680	5154400	8	2880	5173671	6	2060
3718300	7	0145	5125108	12	0800	5150561	12	0610	5154401	12	1660	5173695	8	2550
3722121	7	0110</												

5173772	6	1660	5183649	12	5380	5188073	12	5230	5194826	8	1430	5298557	7	8150
5173870	8	3920	5183653	12	5660	5188097	8	4407	5194827	8	1430	5298558	7	8200
5173914	6	2060	5183654	12	5525	5188227	12	0510	5194858	8	1220	5298559	7	8200
5174167	6	1710	5183655	12	5440	5188235	8	0010	5194859	8	1220	5298560	7	8200
5174425	12	5620	5183656	12	5645	5188236	8	0010	5195142	8	2690	5298561	7	8200
5174429	12	5523	5183657	12	5620	5188273	8	5150	5195220	8	1080	5298562	7	8200
5174531	8	2630	5183661	12	5230	5188405	8	1960	5195520	12	6460	5298563	7	8200
5174895	8	3930	5183683	12	5523	5188406	8	1930	5195739	8	0020	5298564	7	8200
5174896	8	3960	5183684	12	5190	5188558	7	5860	5195742	8	0580	5298565	7	8200
5174962	12	1655	5183685	12	5490	5188611	12	5178	5196022	8	1205	5298566	7	8200
5174971	12	1725	5183686	12	5540	5188681	12	5410	5196023	8	1205	5298567	7	8200
5174973	12	1790	5183687	12	5490	5188868	8	0530	5196024	8	1205	5298568	7	8200
5174975	12	1715	5183688	12	5415	5189041	6	2350	5196025	8	1205	5298569	7	8200
5175641	8	1630	5183690	12	5540	5189054	8	1920	5196146	8	0400	5298570	7	8200
5175944	8	3890	5183692	12	5235	5189055	8	1920	5196310	8	0570	5298572	7	8200
5175983	8	3440	5183693	12	5280	5189056	8	1920	5196314	8	2830	5298573	7	8200
5176035	8	3720	5183694	12	5415	5189057	8	1920	5226186	12	6220	5298574	7	8200
5176066	8	3010	5183699	12	5660	5189121	8	4228	5226393	12	6285	5298575	7	8177
5176119	8	3825	5183700	12	5660	5189122	8	4000	5226394	12	6210	5298576	7	8177
5176228	12	6350	5183701	12	5160	5189143	8	0450	5226397	12	6280	5298577	7	8230
5176458	8	2120	5183701	12	5165	5189454	8	2790	5226400	12	6230	5298578	7	8176
5176475	4	5256	5183702	12	5410	5189852	6	1800	5226411	12	6480	5298579	7	8177
5176557	12	5730	5183704	12	5660	5189852	6	1803	5226413	12	6170	5298580	7	8177
5176832	8	0240	5183707	12	5660	5189853	6	1800	5226414	12	6173	5298582	7	8177
5176837	12	5260	5183709	12	5555	5190853	8	1290	5226415	12	6400	5298583	7	8177
5176996	8	2250	5183710	12	5228	5192108	8	3450	5226563	12	6270	5298584	7	8177
5176998	8	2350	5184014	8	3380	5192111	8	1830	5226564	12	6330	5298585	7	8200
5176999	8	2280	5184332	12	5180	5192226	8	0520	5226565	12	6190	5298587	7	8230
5177033	8	1980	5184336	12	5210	5192231	8	1430	5226567	12	6320	5298588	26	6070
5177082	12	5660	5184456	8	4450	5192232	8	1430	5226570	12	6380	5298909	7	8200
5177083	12	5550	5184457	6	1600	5192234	8	2410	5226719	12	6310	5298910	7	8200
5177146	8	0230	5184459	8	0450	5192438	8	2770	5227210	12	6420	5298911	7	8150
5177528	8	1600	5184484	8	0485	5192439	8	2820	5227317	12	6450	5299046	7	8230
5177650	8	0510	5184530	12	1770	5192496	8	1665	5227318	12	6430	5299050	26	6085
5177752	12	5265	5184531	12	1610	5192496	8	1700	5227319	12	6490	5299608	7	8177
5177763	8	1540	5184577	8	1530	5192717	8	0750	5227325	12	6140	5299609	7	8177
5177769	8	1425	5184663	12	6610	5192751	8	2430	5227931	12	6150	5301384	25	6565
5177772	8	4465	5184929	12	5585	5192754	8	2440	5228013	12	6200	5302349	14	0273
5177777	8	4500	5184963	12	5180	5192795	8	2460	5228101	12	6300	5303122	14	0175
5177778	8	4490	5184964	12	5180	5192796	8	2450	5228102	12	6270	5303123	14	0123
5177798	8	0460	5184972	26	5310	5192864	8	1940	5228104	12	6210	5303124	14	0230
5177911	6	1960	5185325	8	1940	5192865	8	1940	5228106	12	6360	5303126	14	0239
5178383	8	0620	5185326	8	0790	5192866	8	1940	5228109	12	6190	5303127	14	0157
5178700	12	1757	5185347	8	3530	5192879	8	1760	5228110	12	6120	5303128	14	0232
5178946	7	5900	5185349	8	4770	5192880	8	1760	5228253	12	6135	5303130	14	0185
5178989	8	1670	5185605	12	5270	5192881	8	1850	5228292	12	6410	5303131	14	0185
5178997	8	0473	5185767	8	4530	5192882	8	1850	5228294	12	6167	5303132	14	0154
5178998	8	0510	5185783	8	2110	5192883	8	1760	5228296	12	6450	5303134	14	0240
5179017	8	2720	5185790	7	3574	5192884	8	1760	5228304	12	6300	5303135	14	0225
5179049	8	2740	5185791	7	3345	5192885	8	1850	5228305	12	6120	5303136	14	0185
5179068	8	1450	5185792	8	2330	5192886	8	1850	5228306	12	6300	5303137	14	0175
5179197	8	4243	5185793	7	3100	5192887	8	1760	5228308	12	6490	5303138	14	0122
5179605	6	2140	5185794	7	3720	5192888	8	1760	5228310	12	6120	5303139	14	0230
5179630	8	1760	5185795	7	3585	5192889	8	1850	5228312	12	6140	5303140	14	0155
5179631	8	1760	5185810	7	3330	5192890	8	1850	5228313	12	6135	5303141	14	0127
5179632	8	1850	5185810	7	3335	5192891	8	1760	5228319	12	6380	5303142	14	0124
5179633	8	1850	5186050	8	1580	5192892	8	1760	5228333	12	6125	5303144	14	0215
5179836	8	1940	5186064	12	5400	5192893	8	1850	5228512	12	6290	5303145	14	0220
5179954	8	0840	5186224	12	5470	5192894	8	1850	5228554	12	6450	5303146	14	0125M
5179962	8	1200	5186363	8	0010	5193076	8	1280	5230007	12	1750	5303147	14	0220
5181747	12	1753	5186383	6	2020	5193197	8	0700	5270059	7	8415	5303148	14	0210
5182208	8	3530	5186493	6	2100	5193214	12	5740	5286946	26	6125	5303149	14	0155
5182512	16	5155	5186569	6	2220	5193215	8	0790	5288039	7	1090	5303150	14	0152
5182513	16	5155	5186571	6	2330	5193221	12	6130	5289554	7	8176	5303152	14	0126
5182555	12	5490	5186572	6	2295	5193280	8	2140	5290793	7	7290E	5303153	14	0235
5182556	12	5540	5186573	6	2110	5193316	8	0485	5291294	7	7240K	5303154	14	0230
5182557	12	5500	5186575	6	2080	5193477	8	1950	5291640	7	8305	5303155	14	0205
5182559	12	5240	5186577	8	0515	5193481	8	1940	5291641	7	8305M	5303156	14	0190
5182560	12	5660	5186579	8	0515	5193482	8	1940	5292678	26	5995	5303157	14	0155
5182581	8	0510	5186677	12	5415	5193483	8	1940	5295945	7	7353M	5303158	14	0170
5183268	12	5200	5186689	8	4880	5193605	6	2090	5297514	7	8326	5303160	14	0190
5183286	12	5360	5186744	6	1717	5193606	6	2090	5297515	7	8328K	5303260	14	0155
5183305	8	0473	5186858	8	1130	5193648	8	1950	5297516	7	8328K	5303273	14	0238
5183313	12	5350	5186868	12	5595	5193649	8	1950	5297517	7	8328K	5303274	14	0180
5183329	8	0680	5186869	12	5540	5193650	8	1950	5297521	7	8326	5310015	25	6947
5183330	8	0457	5187117	8	0010	5193666	8	0700	5297531	7	1746	5316173	25	6778
5183609	12	5120	5187308	8	4320	5193719	8	2690	5297561	7	8280	5316173	25	6785
5183612	12	5360	5187309	8	4247	5194073	8	0485	5297562	7	8280	5316793	14	0250
5183614	17	5230	5187310	8	4275	5194074	8	0485	5297563	7	8280	5316984	14	0250
5183615	12	5120	5187313	8	3950	5194163	8	0485	5297566	7	8326	5319079	25	6458
5183621	12	5350	5187314	8	3960	5194164	8	0485	5297567	7	8326	5323845	14	0155
5183626	12	5210	5187315	8	3920	5194448	8	0530	5297587	7	8254J	5323846	14	0155
5183630	12	5210	5187316	8	3930	5194449	8	0530	5297588	7	8254J	5325507	14	0195
5183632	12	5480	5187794	8	0010	5194450	8	0530	5297668	7	1235	5326888	14	0322
5183639	12	5350	5187831	8	0010	5194451	8	0530	5298553	7	8200	5327153	25	6795
5183641	12	5610	5187855	8	0010	5194496	8	0410	5298554	7	8200	5337931	14	0

5352873	14	0120	5544474	14	0151P	5573246	26	7175	5680505	16	4730	5947766	7	6476
5352874	14	0120	5544881	14	0120	5573742	12	1050	5680711	16	4226	5948479	7	0900
5363504	14	0238N	5544882	14	0120	5573960	8	4150	5680711	16	4229	5951333	7	0790
5382098	25	6500	5544883	14	0120	5574130	8	4150	5680711	16	4960	5951514	7	0690
5383646	14	0312L	5549013	14	0129	5574130	12	0940	5680865	16	5000	5951515	7	0690
5383649	14	0312L	5549023	14	0194	5575086	8	3930	5681137	16	4940	5956013	7	0250
5391257	25	6573	5549026	14	0200	5575087	8	3960	5681681	16	5030	7450004	2	1150
5394360	14	0313E	5549027	14	0205	5575088	8	3920	5930408	7	1478	7450049	7	3090
5397081	25	6590	5549030	14	0213	5576067	8	4030	5930409	7	1498	7450205	8	2150
5513126	14	0314E	5549280	14	0170	5612080	26	5985	5930413	7	1472	7450849	7	3090
5513930	14	0170	5549511	14	0151P	5660351	16	3090	5930594	7	0090	7450892	17	0475
5513931	14	0170	5549512	14	0151P	5662179	7	6910	5930594	7	1478	7450925	17	1680
5515724	14	0311	5549513	14	0220	5664569	16	4820	5931215	7	1485	7450935	7	3090
5516594	14	0314G	5549514	14	0220	5664570	16	4840	5931216	7	1497	7450936	7	3090
5516595	14	0302	5549515	14	0230	5664575	16	4820	5931749	7	1505	7450948	17	0465
5516596	14	0275	5549516	14	0230	5664577	16	4860	5932423	7	0805	7451054	8	2490
5516654	14	0283	5549517	14	0166	5664578	16	5010	5933340	25	4693	8514600	8	4370
5517140	14	0213	5549518	14	0194	5664585	16	4980	5935509	7	0852	9023238	4	5430
5518488	14	0120	5549522	14	0200	5664610	16	4740	5935755	7	1416	9023433	4	5430
5518490	14	0128	5549524	14	0189	5664930	16	4840	5935777	7	1419	9023434	4	5430
5518492	25	6898	5549525	14	0140	5665571	16	4840	5935793	7	1405	9023435	4	5430
5518495	25	6898	5549530	14	0124R	5665572	16	5210	5935797	7	1417	9024226	4	3215
5518498	25	6898	5549532	14	0214	5665574	16	5200	5935847	7	1440	9025432	4	5203M
5518499	25	6898	5549533	14	0155	5665575	16	4950	5936796	7	0870	9025984	4	5381
5518500	25	6558	5549534	14	0214	5665576	16	5050	5936909	7	0400	9026270	6	2963
5518501	25	6720	5549535	14	0124R	5665577	16	4850	5936914	7	1520	9028045	4	4940
5518502	25	6947	5549536	14	0151T	5665578	16	4990	5937232	7	0900	9028717	4	3719F
5518503	25	6370	5549537	14	0200	5665579	16	4720	5938088	7	1700	9040419	1	0560
5518504	25	6370	5549538	14	0213	5665580	16	4960	5938088	7	1903	9040419	16	4600
5518505	25	6310	5549539	14	0213	5665581	16	4910	5939210	7	1845	9040420	1	0420
5518506	25	6830	5549540	14	0213	5665582	16	5040	5939211	7	0790	9040420	16	4512
5518507	25	6480	5549541	14	0213	5665583	16	5040	5939212	7	0790	9040420	20	0650
5518508	25	6885	5549542	14	0164	5665584	7	6240	5939769	7	0144	9402660	20	0650
5518509	25	6290	5549543	14	0164	5665585	7	6585	5939769	7	1487	9402709	16	5130
5518510	25	6500	5549544	14	0214R	5665586	7	6585	5939791	7	0330	9403190	16	5210
5518511	25	6190	5549545	14	0124M	5665587	7	6240	5939791	7	1505	9409028	8	2010
5518512	14	0200	5549546	12	0810	5665588	7	6505	5940206	7	0755	9409028	8	2180
5518513	14	0155	5549547	26	7325	5665589	7	6545	5940206	7	1835	9409079	20	0050
5518514	14	0175	5549548	26	7330	5665590	7	6478	5940254	7	1425	9409089	20	0050
5518515	14	0213	5549549	12	0990	5665591	7	6479	5941070	7	0855	9409218	20	0050
5518516	14	0151R	5549550	26	7333	5665592	7	6435	5941070	7	1852	9409927	8	4660
5518517	14	0151R	5549551	12	0860	5665593	7	6585	5941415	7	1870	9410925	8	2000
5518518	14	0151N	5549552	8	4110	5665594	7	6545	5941484	7	1858	9410938	19	0550
5518519	14	0213R	5549553	12	0810	5665595	7	6577	5942835	7	0690	9410944	19	0230
5518520	14	0154M	5549554	12	1010	5665596	7	6625	5942835	7	1825	9410947	19	0230
5518521	14	0151R	5549555	8	4180	5665597	7	6435	5944278	7	0330	9411542	4	3596
5518522	14	0120	5549556	26	7310	5665598	7	6545	5944649	7	1800	9411783	16	4135
5518523	14	0120	5549557	26	7218	5665599	7	6585	5944657	7	0080	9411839	14	0214
5518524	14	0166	5549558	8	4130	5665600	7	6585	5944657	7	1475	9411839	7	4762
5518525	14	0129	5549559	8	4325	5665601	16	0620	5944684	7	0990	9412179	14	0209
5518526	14	0232	5549560	12	0880	5665602	16	0680	5944957	7	1720	9413438	26	6840
5518527	14	0151P	5549561	26	7220	5665603	16	4890	5944974	7	1908	9413996	16	4135
									5944974	7	0870	9413996	16	4144M
									5945721	7	0870	9414004	14	0063

ALPHABETICAL INDEX

Description	Group No.	Description	Group No.
A		B	
ABSORBER - shock (Air Suspension)	14. 0250	BASE:	
ADAPTER:		Horn	7. 6810
Air compressor air inlet	4. 5205	Trans. remote control tower	17. 2655
Fuel injector air cylinder	12. 6143	BATTERY	7. 7700
Grab rail bolt	25. 8547	BATTERY COMPARTMENT	25. 2665
Heater pipe	25. 6975	BEAM - air suspension	14. 0020
Relay valve	4. 3515	BEARING KIT - main, engine crankshaft	26. 6475
Windshield wiper arm	25. 8640	BEARING SET:	
Tachometer drive	7. 5700	Camshaft	8. 1205
ADJUSTER:		Engine connecting rod	8. 1860
Differential bearing	2. 0750	Main, engine crankshaft	8. 1770
Slack, wheel brake	4. 0700	BEARING:	
AIR CLEANER	12. 7200	Accelerator control lever	8. 5174
AIR COMPRESSOR	4. 5200	Air comp. connecting rod	4. 5225
AIR CONDITIONING COMPARTMENT	26. 2615	Air comp. crankshaft	4. 5230
ALARMOSTAT:		Blower drive support	8. 2480
Engine over heat	7. 4887	Blower rotor	8. 2490
Engine (Air conditioning)	26. 6150	Camshaft	8. 1210
AMMETER	7. 4900	Camshaft & bearing shaft-end	8. 1220
ANGLE:		Center, steering prop. shaft	16. 3200
Air suspension air beam	14. 0010	Clutch lever or bracket	5. 0410
Blkheads	12. 4310	Compressor	26. 8295
Motor support	8. 0047	Compressor inlet	26. 8295
ANTI-SQUEAK - fuel tank	12. 0030	Engine connecting rod	26. 6580
ARM:		Door control handle knob	25. 5127
Breaker, magneto	26. 5720	Door operating rod	25. 5130
Outside rear view mirror	25. 8970	Door operating handle bracket	25. 5133
Rocker, fuel injector	8. 0840	Engine crankshaft	26. 6470
Rocker, radiator shutter air cylinder	6. 2755	Engine idler gear	8. 2150
Rocker, valve	8. 0850	Front door hinge	25. 4607
Steering	1. 0320	Engine fan drive	26. 6705
Steering gear pitman	16. 0690	Engine idler pulley	26. 6710
Windshield wiper	25. 8645	Engine water pump	26. 4845
ARMATURE:		Generator	7. 3090
Current regulator	7. 4650	Governor	26. 4855
Generator	7. 3060	Governor lever shaft	26. 4850
Horn	7. 6805	Governor operating shaft	12. 5130
Starting motor	7. 2020	Governor weight shaft	12. 5150
Voltage and current relay	7. 4660	Governor throttle shaft	12. 5140
Voltage regulator	7. 4670	Main, engine crankshaft	8. 1760
AXLE:		Mainshaft center	17. 0465
Carburetor float	26. 7810	Magneto rotor	26. 5725
Front	1. 0010	Needle, mainshaft gear	17. 0705
Rear	2. 0010	Needle, strg. gear pitman shaft	16. 0720
AXLE SHAFT	2. 0170	Parking brake idler lever	4. 6906
B		Pilot, clutch	5. 0200
BAFFLE - clutch pilot brg. oil wick	5. 0220	Pilot, mainshaft	17. 0475
BAGGAGE COMPARTMENT	25. 2745	Pinion shaft	2. 1150
BAGGAGE RACK - inside	25. 8210	Release, clutch	5. 0210
BALL:		Speedometer	7. 5151
Steel	20. 0010	Steering gear pinion shaft	16. 3020
Blower drive gear hub	8. 2470	Steering gear bevel pinion	16. 3010
Engine cradle	8. 0048	Steering prop. shaft universal joint	16. 3210
Fuel injector rocker arm	8. 0860	Steering shaft	16. 0430
Fuel pump	12. 1615	Steering drag link ball stud	16. 0960
Poppet, transmission gear shift	17. 2653	Steering shaft universal joint	16. 0440
Safety valve	4. 3665	Thrust, steering knuckle	1. 0060
Transmission shift fork	17. 2090	Transmission bevel gear	17. 3810
BAND:		Trans. control bell crank lever	17. 2657
Generator cover	7. 3080	Trans. countershaft	17. 1330
Starting motor cover	7. 2030	Trans. main drive gear	17. 1110
Windshield defroster fan	25. 6200	Trans. reverse idler	17. 1680
BAR:		Universal joint bearing	18. 0070
Bumper support	11. 0365	Water pump	6. 2100
Buss	7. 7225	Wheel brake camshaft	4. 0615
Face, bumper	11. 0360	BELLOWS:	
		Air suspension	14. 0050
		Parking brake control rod	4. 6908

ALPHABETICAL INDEX

Description	Group No.	Description	Group No.
B		B	
BELLOWS (CONT'D.):		BRACKET (CONT'D.):	
Trans. remote control rod	17. 2665	Baggage rack support	25. 8253
BELT:		Brake chamber	4. 0920
Heating & evaporator blower	25. 6215	Bumper	11. 0400
Water pump	26. 4860	Clutch shaft	5. 0500
BLADE:		Door operating	25. 5145
Fan	6. 2440	Door operating handle	25. 5150
Windshield wiper	25. 8650	Driver's window sash pivot	25. 5480
BLOWER - heating & air cond. evaporator	25. 6225	Driver's window swing sash reg.	25. 5485
BLOCK:		Engine cradle	8. 0095
Air compressor cylinder	4. 5235	Engine lifter	8. 0100
Clutch cover plate	5. 0004	Engine support	8. 0110
Engine cylinder	8. 0400	Engine oil filter	8. 4000
Junction	7. 7240	Fuel filter	12. 0850
BLOWER - engine	8. 2390	Fuel injector racket control tube	12. 6160
BODY - water pump	6. 2110	Fuel line junction	12. 0450
BODY INSULATION	25. 8525	Fuel line	12. 0440
BOLT:		Fuel tank valve	12. 0085
Hex. hd.	20. 0050	Gear shift remote control tower	17. 2695
Hex. hd. cross recess	20. 0060	Grab rail	25. 8567
Flat hd. tapping	20. 0040	Heating gradustat	25. 7425
Fillister hd.	20. 0020	Horn	7. 6820
Flat hd. machine	20. 0030	Inside rear view mirror	25. 8930
Oval hd. machine	20. 0070	Locating, parking brake	4. 6530
Pan hd. machine	20. 0080	Muffler support	12. 6570
Pan hd. tapping	20. 0090	Muffler	12. 6560
Round hd. carriage	20. 0100	Passenger signal buzzer cord	7. 7370
Round hd. tapping	20. 0110	Radiator shutter air cylinder	6. 2784
Socket hd.	20. 0115	Radiator support	6. 0260
Step	20. 0120	Radius rod	14. 0340
Air comp. connecting rod	4. 5255	Shock absorber axle	14. 0260
Air compressor drive disc	4. 5256	Solenoid	7. 5980
Air suspension bellows	14. 0060	Tail pipe support	12. 6580
Brake shoe lining	4. 0020	Valve rocker arm shaft	8. 0890
Diff. brg. adjuster lock	2. 0790	Voltage and current regulator	7. 4690
Differential case	2. 0800	Water control valve	25. 7440
Drive gear	2. 1170	Wheel brake camshaft	4. 0625
Engine connecting rod cap	8. 1870	BRAKE DRUM - front	19. 0170
Engine crankshaft bearing cap	8. 1780	BRAKE DRUM - parking	4. 6570
Engine cylinder head	8. 0600	BRAKE DRUM - rear	19. 0500
Engine cylinder block cover	8. 0430	BREAKER - circuit	7. 7275
Engine support	8. 0070	BREATHER:	
Flywheel	8. 2000	Axle housing	2. 0030
Parking brake drum	4. 6503	Engine crankcase	8. 3050
Parking brake lining	4. 6505	Engine crankcase	26. 6935
Parking brake lever	4. 6924	Steering gear bevel gear hsg.	16. 3030
Radiator cushion	6. 0207	Steering gear housing	16. 0317
Radiator support	6. 0210	Transmission	17. 0360
Universal joint flange	18. 0410	BRUSH:	
BOOT:		Generator	7. 3150
Air application valve body	4. 3265	Starting motor	7. 2110
Parking brake hand lever	4. 6940	Starting motor	26. 5340
Solenoid plunger	7. 5970	Underfloor heater blower motor	25. 6310
BOX:		BULB	20. 0130
Destination sign	25. 3390	BULKHEAD	25. 4305
Heating gradustat	25. 7410	BULKHEAD:	
Ticket	25. 7905	Air conditioning compartment	26. 2675
BRACE:		BUMPER	11. 0350
Air suspension control valve	14. 0130	BUMPER - axle	11. 0590
Driver's guard rail stanchion	25. 8560	BUSHING:	
W/S ledge support channel	25. 0083	Pipe reducing	20. 0140
BRACKET:		Air comp. piston pin	4. 5275
Air application valve	4. 3270	Brake shoe	4. 0025
Air governor adj. screw	4. 4880	Clutch release brg. support	5. 0240
Air line	4. 6375	Clutch release fork shaft	5. 0535
Air suspension control valve	14. 0140	Differential pinion	2. 0810
Air suspension control valve link	14. 0150	Distributor	26. 5545
Air tank support	4. 5025	Dowel, diff. brg. cap	2. 0400
Anchor, parking brake	4. 6520		

ALPHABETICAL INDEX

Description	Group No.	Description	Group No.
B		C	
BUSHING (CONT'D.):		CASE:	
Engine connecting rod	8. 1880	Differential - less gears	2. 0840
Engine camshaft	26. 6435	Transmission	17. 0330
Engine connecting rod	26. 6590	CATCH:	
Engine flywheel	26. 6655	Baggage compt. door lock	25. 2817
Engine piston pin	8. 1925	Battery compt. door	25. 2677
Radius rod	14. 0360	Compartment door lock	25. 3104
Rocker arm	8. 0900	Compt. door prop.	25. 3106
Slack adjuster	4. 0720	CENTER - front axle	1. 0020
Starting motor	26. 5355	CHAIN:	
Starting motor center bearing	7. 2130	Baggage compt. door	25. 2817
Starting motor C. E.	7. 2140	Front compartment door	25. 0623
Starting motor D. E.	7. 2150	CHAMBER - brake	4. 0890
Steering knuckle	1. 0070	CHANNEL:	
Steering knuckle king pin	1. 0080	Engine support	8. 0140
Wheel brake camshaft	4. 0630	Windshield glass	25. 5435
Parking brake shoe	4. 6550	W/S ledge support	25. 0090
Underfloor heater blower motor	25. 6320	CLAMP:	
BUTTON:		Hose	20. 0150
Clutch release brg. collar	5. 0250	Air cleaner	12. 7320
Thrust, clutch release lever	5. 0026	Engine manifold	8. 4940
BUZZER:		Fuel injector	12. 6180
Alarm	7. 7280	Muffler	12. 6610
Passenger signal	7. 7375	Parking brake rod bellows	4. 7057
C		Inside rear view mirror	25. 8935
CABLE - battery to starting motor	7. 8150	Spare tire	25. 0815
Horn	7. 6860	Radiator hose	6. 1470
Front heater	25. 6325	Tail pipe	12. 6620
Miscellaneous	7. 8177	Wiring harness	7. 8280
Spark plug	26. 5960	CLEANER:	
Speedometer	7. 5170	Air	12. 7200
Starting motor connector	7. 2180	Air box drain	8. 0440
CAGE:		Air, air compressor	4. 5290
Air application valve spring	4. 3295	Air, engine	26. 8190
Pinion shaft bearing	2. 1210	Air, generator	7. 3205
CAM - governor	12. 5180	CLIP:	
CAMSHAFT:		Closed	20. 0160
Engine	8. 1200	Open	20. 0170
Engine (Air Cond.)	26. 6430	Air line	4. 6380
Parking brake	4. 6557	Air line	25. 7450
Wheel brake	4. 0610	Engine oil level indicator tube	8. 3400
CAP:		Engine water inlet pipe	6. 1495
Air application valve	4. 3300	Fuel line	12. 0480
Air suspension check valve	14. 0640	Lower side post	25. 2120
Axle housing breather	2. 0040	Wiring	7. 8290
Dust, steering prop. shaft UJ	16. 3230	CLUSTER - instrument	7. 4980
Dust, universal joint slip yoke	18. 0415	CLUTCH - trans. 3rd & 4th speed mainshaft	17. 0750
Engine crankshaft bearing	8. 1790	COCK:	
Front hub	19. 0210	Drain	20. 0180
Fuel tank	12. 0110	Air tank drain	4. 5035
Horn button	7. 6870	Drain, air suspension air tank	14. 0480
Mainshaft rear bearing	17. 0490	Drain, air compressor muffler	4. 5635
Radiator surge tank	6. 1460	Drain, fuel filter	12. 0855
Steering knuckle	1. 0090	Drain, water pump	6. 2130
Trans. main drive gear bearing	17. 1130	Heater pipe drain	25. 7060
Trans. output shaft bearing	17. 3820	Radiator drain	6. 1520
Universal joint bearing	18. 0140	Radiator shutter air filter	6. 2845
Valve spring	8. 0740	Radiator thermostat housing	6. 1525
CAPPING:		COIL:	
Front corner post	25. 0027	Generator field	7. 3240
Side post	25. 2117	Horn	7. 6887
CARBURETOR - engine fuel	26. 7795	Ignition	26. 5970
CARRIER:		Magneto	26. 5745
Differential, less diff.	2. 0350	Solenoid	7. 6030
Differential complete	2. 0340	Starting motor	26. 5365
Tool	25. 2367	Starting motor field	7. 2210
CARTRIDGE - air cond. dehydrator	26. 9345	Underfloor heater blower motor	25. 6370
		Voltage & current regulator	7. 4705
		COLLAR - clutch, trans. reverse	17. 1695

ALPHABETICAL INDEX

Description	Group No.	Description	Group No.
C		C	
COLLAR (CONT'D.):		COVER (CONT'D.):	
Clutch, transmission countershaft	17. 1355	Voltage & current regulator	7. 4730
Clutch, transmission mainshaft gear	17. 0764	Water pump	6. 2150
Thrust, trans, mainshaft gear	17. 0766	COVERING - floor	25. 3745
Wheel brake camshaft	4. 0635	CRANKCASE:	
COMPARTMENT:		Air compressor	4. 5315
Baggage	25. 2745	Engine	8. 0360
Battery	25. 2665	Engine (Air Cond.)	26. 6220
Front	25. 0610	CRANKSHAFT:	
Spare tire	25. 0755	Air compressor	4. 5320
COMPRESSOR - air	4. 5200	Compressor (Air Cond.)	26. 8323
COMPRESSOR (Air Cond.)	26. 8290	Engine	8. 1450
COMMUTATOR - underfloor heater blower motor armature	25. 6380	Engine (Air Cond.)	26. 6465
CONDENSER:		CROSSMEMBER	25. 4250
Air conditioning	26. 9140	CUP:	
Distributor	26. 5570	Grease	20. 0250
Horn	7. 6890	Bearing, strg. shaft worm	16. 0500
CONDUIT:		Clutch cover plate	5. 0035
Battery cable	7. 8163	Differential bearing	2. 0860
Wiring	7. 8300	Front wheel bearing	19. 0240
CONE:		Generator	7. 3273
Differential bearing	2. 0850	Grease, clutch release brg.	5. 0270
Engine crankshaft damper	8. 1520	Mainshaft bearing rear	17. 0497
Front wheel brg.	19. 0230	pinion shaft bearing	2. 1230
Mainshaft bearing rear	17. 0494	Radiator shutter air cylinder piston	6. 2878
Pinion shaft bearing	2. 1220	Rear wheel brg.	19. 0560
Rear wheel bearing	19. 0550	Retaining, water pump seal	6. 2160
Trans. output shaft bearing	17. 3830	Tie rod end ball stud spring	1. 0440
CONNECTOR:-		Oil, starting motor	26. 5370
Ball sleeve	20. 0190	CUSHION - radiator support	6. 0300
Threaded sleeve	20. 0230	CYLINDER:	
Flared tube	20. 0210	Air, injector control	12. 6187
Inverted flared tube	20. 0220	Radiator shutter air	6. 2896
Air line	25. 7460		
Air brake line	4. 6385	D	
Air suspension air line	14. 0780	DAMPER:	
Fuel lines	12. 0512	Driver's air outlet	25. 6430
Horn cable	7. 6910	Fresh air duct	25. 7110
Heater pipe	25. 7065	Front heater	25. 6435
Passenger signal cord	7. 7385	Vibration, engine crankshaft	8. 1540
Radiator	6. 1545	DEHYDRATOR - air conditioning	26. 9340
Radiator air line	6. 2860	DEFLECTOR:	
Windshield wiper air line	25. 8670	Air	25. 6445
Wiring	7. 8305	Defroster	25. 6440
CONTACT - horn button	7. 6920	DIAPHRAGM:	
CONTROL - heating	25. 7100	Air application valve	4. 3310
CORD - baggage rack	25. 8285	Air pressure regulating valve	4. 3713
CORD - passenger signal buzzer	7. 7390	Heating control air regulator valve	25. 7470
CORE:		Horn	7. 6950
Heater	25. 6390	Relay valve	4. 3555
Radiator	6. 0010	DISC:	
COUNTERSHAFT - transmission	17. 1320	Air compressor drive	4. 5327
COUPLING - pipe	20. 0240	Driven, clutch	5. 0040
Air compressor drive	4. 5292	Fuel pump coupling	12. 1660
Flexible, blower drive	8. 2560	DISTRIBUTOR	25. 5525
Heater pipe	25. 7085	DOOR:	
Impulse, magneto	26. 5753	Fog lamp	7. 1475
Water pump	6. 2140	Front	25. 4605
COVER:		Front compartment	25. 0640
Air beam	25. 3725	Fuel filler	25. 2470
Axle housing	2. 0050	Head lamp	7. 0080
Door operating rod	25. 5173	Inspection	25. 2345
Dust, tie rod end	1. 0435	Radiator filler	25. 2530
Dust, strg. drag link end	16. 0975	Rear end closure	25. 1620
Engine cylinder head	8. 0620	Rear side closure	25. 1465
Front body post	25. 0030	Safety	25. 4825
Transmission case	17. 0380	Tail lamp	7. 0690
Lower side post	25. 2125	DOWEL - brake shoe anchor pin	4. 0108

ALPHABETICAL INDEX

Description	Group No.	Description	Group No.
D		F	
DOWEL (CONT'D.):		FILTER (CONT'D.):	
Clutch drive plate to cover plate	5.0045	Air heating & cooling	25.6490
Differential brg. cap	2.0430	Fuel	12.0810
Dowel fuel pump	12.1670	Fuel	26.7590
Locating, fuel injector	12.6195	Oil engine	26.7220
DRIP MOULDING	25.3265	Radiator shutter air	6.2914
DRIVE:		FINGER - shift transmission	17.2140
Speedometer	7.5196	FIRE AXE	25.9085
Starting motor	26.5375	FIRE EXTINGUISHER	25.9115
DRUM:		FITTING - lubrication	20.0335
Front brake	19.0170	FLAG - safety	25.9160
Parking brake	4.6570	FLANGE:	
Rear brake	19.0500	Companion, universal joint	18.0390
DUCT - air	25.7120	Stanchion	25.8580
E		FLAP - fender	25.2320
ELBOW:		FLASHER - directional switch	7.6476
Ball sleeve	20.0260	FLOOR	25.3600
45 degree inv. flared tube	20.0290	FLOOR - baggage compartment	25.2857
90 degree inv. flared tube	20.0300	FLYWHEEL	8.1980
90 degree flared tube	20.0270	FLYWHEEL - engine (Air cond.)	26.6640
90 degree street	20.0320	FOLLOWER:	
90 degree int. pipe thd.	20.0280	Air compressor diaphragm	4.5335
45 degree street	20.0310	Fuel injector	12.6210
Threaded sleeve	20.0330	Valve & injector push rod cam	8.0930
Air line	25.7480	FORK - clutch release	5.0600
Air brake line	4.6395	Fuel pump coupling	12.1680
Air compressor discharge	4.5330	Shift, transmission clutch collar	17.1995
Air compressor water line	6.1570	Shift, transmission reverse	17.2000
Air suspension air line	14.0790	FRONT:	
Fuel line	12.0520	Body panels	25.0075
Heater pipe	25.7125	Body posts	25.0010
Oil filter oil line	8.4665	Compartment	25.0610
Radiator	6.1600	Destination sign	25.3385
Stanchion	25.8575	Door	25.4605
ELECTRICAL COMPARTMENT	25.3060	Door operating mechanism	25.5125
ELEMENT:		End	25.0005
Engine oil filter	8.4030	License Mounting	25.0470
Filter, fuel injector	12.6200	Stepwell	25.3890
Fuel filter	12.0880	FRAME:	
END:		Generator	7.3290
Front-complete	25.0005	Starting motor	7.2290
Steering drag link	16.0980	FRONT AXLE	1.0010
Tie rod	1.0450	FUSE	20.0340
ENGINE	8.0010	G	
ENGINE - air conditioning	26.6175	GASKET - copper asbestos	20.0350
ENGINE SHIELDS	25.1320	GASKET SET:	
EXHAUST PIPE	12.6780	Carburetor	12.1830
EVAPORATOR - air conditioning	26.9380	Engine cylinder head overhaul	8.0580
EXTENSION - wheelhouse	25.2245	Engine overhaul	8.0020
EXTINGUISHER - fire	25.9115	Oil, engine cylinder head	8.0590
EYE - engine stabilizer tube	8.0165	Transmission	17.0020
F		GASKET:	
FACING - clutch driven disc	5.0050	Air comp. cylinder head	4.5365
FAN:		Axle housing plug	2.0110
Heater motor	25.6480	Axle shaft	2.0220
Windshield defroster	25.6485	Differential carrier	2.0460
FAN BLADE	6.2440	Engine cylinder head cover	8.0630
FILLER:		Engine cylinder head to block	8.0640
Destination sign glass retainer	25.3430	Engine manifold	8.4960
Front door glass retainer	25.4645	Engine oil pan	8.2930
Rear quarter window glass retainer	25.5735	Fuel filter element	12.0930
Rear window glass	25.5760	Fuel filter cover	12.0910
Windshield glass retainer	25.5440	Fuel pump	12.1690
FILTER:		Fuel tank filler cap	12.0150
Air, air suspension	14.0700	Radiator filler cap	6.0080
		Radiator surge tank cap	6.1740
		Water control valve fitting	25.7490

ALPHABETICAL INDEX

Description	Group No.	Description	Group No.
G			
GASKET - water pump	6. 2180	GUIDE (CONT'D.):	
GAUGE:		Fuel injector follower	12. 6240
Air	7. 5020	Safety door lock rod	25. 4890
Oil	7. 5040	Starting motor drive pinion	7. 2310
Temperature	7. 5050	Valve	8. 0750
GEAR SET - blower rotor	8. 2410	Valve & injector cam roller	8. 0960
GEAR:		GUSSET - bulkhead	25. 4335
Bevel drive W/pinion	2. 1090	H	
Bevel, engine fan drive	26. 6690	HANDLE:	
Distributor	26. 5590	Baggage compt. door lock	25. 2867
Bevel W/pinion (Mech. trans.)	17. 3800	Front door operating	25. 5185
Drive, blower	7. 2630	Grab, entrance door	25. 8585
Drive, generator	7. 3345	Grab, modesty panel	25. 8590
Drive, governor	12. 4820	Lifting jack	22. 0060
Drive, speedometer	7. 5200	Parking brake hand lever	4. 7104
Driven, transmission oil pump	17. 1820	Rear side closure door lock	25. 1497
Driven, speedometer	7. 5210	Rear end closure door lock	25. 1735
Driving, transmission oil pump	17. 1830	Wheel nut wrench	22. 0070
Engine balance shaft	8. 2110	HANGER:	
Engine camshaft	8. 2120	Air suspension control valve	14. 0160
Engine camshaft (Air cond.)	26. 6695	Radiator	6. 0307
Engine crankshaft	8. 2130	HARNES:	
Engine crankshaft (Air cond.)	26. 6700	Destination sign wiring	25. 3440
Engine idler	8. 2140	Wiring (Air cond.)	26. 6085
Engine oil pump	26. 7260	Wiring, miscellaneous	7. 8200
Engine oil pump driver	8. 3680	HEAD:	
Engine oil pump drive idler	8. 3700	Air compressor cylinder	4. 5390
Fuel injector rack	12. 6230	Compressor	26. 8377
Fuel pump	12. 1715	Engine cylinder	8. 0570
Magneto magnetic rotor	26. 5795	Engine cylinder (Air cond.)	26. 6275
Ring, engine flywheel	26. 6665	Speedometer	7. 5150
Safety door lock rod	25. 4880	HEADER:	
Side, differential	2. 0870	Driver's window	25. 3525
Slack adjuster worm	4. 0740	Front door	25. 3530
Steering	16. 0010	Rear window	25. 3535
Steering gear bevel pinion	16. 3000	Roof	25. 3525
Trans. countershaft 1st	17. 1395	Side window	25. 3537
Trans. countershaft 3rd	17. 1420	Windshield	25. 3540
Trans. countershaft reverse	17. 1450	HEATER - front	25. 6165
Trans. mainshaft 2nd speed	17. 0650	HEATING	25. 6165
Trans. mainshaft 1st speed	17. 0619	HEATING CONTROL	25. 7400
Trans. mainshaft 3rd speed	17. 0670	HINGE:	
Trans. main drive	17. 1100	Front door	25. 4665
Trans. mainshaft reverse	17. 0675	Safety door	25. 4910
GENERATOR	7. 3000	HOLDER:	
GLASS:		Generator brush	7. 3350
Rear quarter window	25. 5740	Starting motor brush	7. 2320
Windshield	25. 5445	HORN	7. 6800
GOVERNOR:		HOSE:	
Air	4. 4860	Air brake	4. 6405
Engine (Air cond.)	26. 8050	Air cleaner	12. 7450
Diesel engine	12. 5120	Air compressor water	6. 1750
GRAB HANDLE	25. 8545	Air drain box	8. 0482
GROMMET:		Clutch release brg. lubrication	5. 0290
Rubber	20. 0360	Defroster	25. 6545
Air brake line	4. 6400	Fuel line	12. 0590
Air suspension check valve	14. 0670	Generator	7. 3353
Battery cable	7. 8166	Heater pipe	25. 7200
Fuel line	12. 0550	Radiator	6. 1760
Trans. remote control rod	17. 2955	Radiator (Air cond.)	26. 5260
Wiring	7. 8310	Radiator shutter air line	6. 2953
GUARD:		Refrigerant	26. 9545
Bumper	11. 0480	Vent	26. 5265
Dust, air compressor diaphragm	4. 5385	Windshield wiper control valve to motor	25. 8685
Finger front door	25. 4657	HOUSING:	
Heater pipe	25. 7170	Blower	8. 2640
GUIDE:		Blower	25. 6550
Door lock release rod	25. 5180		
Engine valve	8. 0750		

ALPHABETICAL INDEX

Description	Group No.	Description	Group No.
H		K	
HOUSING (CONT'D.):		KIT:	
Clutch	5.0970	Blower rotor gear hub	8.2430
Engine thermostat	6.1800	First aid	25.9170
Flywheel	8.2060	Carburetor	26.7800
Magneto	26.5800	Conversion, injector	12.6125
Rear axle	2.0020	Distributor housing cover (Air cond.)	26.5535
Starting motor (Air cond.)	26.5395	Engine radiator filler cup (Air cond.)	26.4710
Starting motor drive	7.2330	Injector overhaul	12.6130
Steering gear bevel gear	16.3070	Installation, blower	8.2440
Steering gear	16.0290	Repair, blower	8.2450
HUB:		Repair, carburetor (Air cond.)	26.7805
Air compressor drive	4.5392	Repair, steering knuckle king pin	1.0050
Blower drive gear	8.2650	Repair, fuel injector valve	12.6135
Driven disc	5.0056	Repair, fuel injector spray tip & valve	12.6140
Engine crankshaft vibration damper	8.1580	Repair, water pump	6.2090
Engine idler gear	8.2250	Surge tank cap bail	6.1804
Fan	6.2530	Universal joint	18.0050
Front wheel	19.0160	KNOB:	
Rear wheel	19.0490	Door operating handle	25.5193
I		Door lock release rod	25.5195
IMPELLER:		Gear shift lever	17.3010
Water pump (Air cond.)	26.4960	KNUCKLE - steering	1.0030
Water pump	6.2220	L	
INDICATOR - engine oil level	8.3380	LAMP:	
INJECTOR - fuel	12.6120	Baggage compartment	7.1620
INSERT - engine cylinder liner	8.0485	Directional	7.1800
INSIDE REAR VIEW MIRROR	25.8925	Dome	7.1260
INSPECTION DOORS	25.2345	Drivers	7.1693
INSTRUMENT PANEL	7.5088	Emergency door	7.1750
INSULATION - body	25.8525	Fare box	7.1900
INSULATOR - horn button	7.7000	Fog	7.1450
INTAKE - air	25.7210	Head	7.0010
INTERLOCK - transmission shift fork	17.2170	Marker	7.1120
J		Reading	7.1580
JACKET - steering column		Spot	7.1680
JACK - lifting	22.0080	Stepwell	7.1400
JET - carburetor	26.7860	Stop and tail	7.0620
JOINT - ball	20.0370	LATCH:	
Slip, steering propeller shaft	16.3250	Front compartment door	25.0670
Universal, steering gear	16.0525	Radiator filler door	25.2555
Universal, propeller shaft	18.0045	Safety door	25.4920
JOURNAL:		Side window safety lock	25.5653
Steering propeller shaft	16.3260	LEAD:	
Universal joint	18.0200	Generator terminal stud	7.3403
JUNCTION PANEL	7.7330	Horn contact to terminal	7.7005
K		Starting motor	26.5405
KEY:		Voltage & current regulator	7.4760
Woodruff	20.0380	LEDGE - windshield	25.0115
Air compressor crankshaft	4.5395	LENS:	
Engine camshaft & balance shaft gear	8.2260	Directional lamp	7.1845
Engine camshaft gear	8.2265	Dome lamp	7.1310
Engine crankshaft pulley	8.1590	Fog lamp	7.1485
Engine crankshaft gear	8.2270	Marker lamp	7.1210
Fan pulley	6.2540	Stepwell lamp	7.1417
Speedometer adapter	7.5365	Tail lamp door	7.0790
Speedometer drive	7.5231	Target & license plate lamp	7.1732
Steering arm	1.0340	LEVER:	
Steering gear pinion shaft	16.3080	Clutch pressure plate	5.0060
Steering wheel	16.0900	Door control handle	25.5200
Trans. countershaft gear	17.1470	Finger, parking brake hand lever	4.7120
Trans. shift finger	17.2175	Hand, parking brake	4.7125
Trans. bevel gear	17.3860	Parking brake slack adjuster	4.6592
Water pump pulley	6.2230	LINE:	
		Air	25.7525
		Air, air suspension	14.0800
		Air brake	4.6410
		Air, windshield wiper	25.8695

ALPHABETICAL INDEX

Description	Group No.	Description	Group No.
L		N	
LINE (CONT'D.):		NECK - filler, fuel tank	12. 0190
Fuel	12. 0420	NIPPLE:	
Oil, oil filter	8. 4520	Heater pipe	25. 7225
Oil, oil gauge	8. 4530	Pipe	20. 0390
Water (Air Cond.)	26. 5270	Rubber	20. 0395
LINING:		Air brake line	4. 6417
Brake shoe	4. 0010	Clutch cross shaft lubrication	5. 0658
Parking brake	4. 6595	Clutch release brg. lubrication line	5. 0300
LINK:		Drive, speedometer	7. 5240
Automatic choke control solenoid	26. 7440	NOZZLE:	
Clutch pedal	5. 0640	Engine connecting rod spray	8. 1890
LOCATOR - clutch pressure spring	5. 0066	Engine cylinder head water	6. 1830
LOCK:		NUT:	
Baggage compartment door	25. 2875	Flared tube	20. 0420
Battery compartment door	25. 2695	Inverted flared tube	20. 0450
Brake shoe anchor pin	4. 0130	Light thick hex.	20. 0480
Brake shoe roller pin	4. 0027	Wing	20. 0540
Diff. brg. adjuster	2. 0890	Barrel	20. 0410
Engine idler gear retainer bolt	8. 2280	ND brg. lock	20. 0490
Front wheel brg. adj. nut	19. 0320	Ball sleeve tube	20. 0400
Parking brake shoe nut	4. 6611	Crimp	20. 0415
Pinion shaft brg. adj. nut	2. 1370	Light hex. jam	20. 0470
Rear end closure door	25. 1760	Stamped	20. 0530
Rear side closure door	25. 1515	Light hex.	20. 0460
Safety door	25. 4930	Adj., front wheel bearing	19. 0330
Slack adjuster worm	4. 0765	Adj., rear wheel bearing	19. 0630
Steering knuckle expansion plug	1. 0130	Adj., parking brake shoe	4. 6613
Side window sash	25. 5655	Engine camshaft & balance shaft gear	8. 2290
LOOM:		Engine connecting rod cap bolt	8. 1900
Air brake line	4. 6415	Engine cylinder head to block stud	8. 0655
Air suspension air line	14. 0810	Engine support bolt	8. 0185
Fuel line	12. 0600	Front wheel stud	19. 0335
Water line & hose	6. 1818	Fuel injector	12. 6270
Wiring harness	7. 8327	Fuel manifold connector	12. 0620
LONGITUDINAL MEMBERS	25. 4130	Generator shaft	7. 3430
LOWER SIDE POSTS	25. 2105	Governor high speed adjustment	12. 5415
M		Governor spring adjusting screw	12. 4880
MAGNETO - engine (Air cond.)	26. 5710	Head lamp adjusting screw	7. 0144
MAINSHAFT - transmission	17. 0460	Hex-slotted light	20. 0510
MANIFOLD:		Hex-slotted light thick	20. 0520
Blower air inlet	12. 4060	Hex-lock	20. 0430
Engine (Air cond.)	26. 7370	Hex-machine screw	20. 0440
Engine water outlet	6. 1820	Lock, blower drive gear hub	8. 2670
Exhaust	8. 4880	Lock, drag link end	16. 0997
Fuel	12. 0610	Lock, trans. mainshaft rear bearing	17. 0515
MECHANISM - door operating	25. 5125	Lock, trans. mainshaft gear	17. 0818
MIRROR:		Lock, trans. main drive gear brg.	17. 1190
Inside rear view	25. 8925	Parking brake drum	4. 6614
Outside rear view	25. 8965	Pinion shaft	2. 1430
MODESTY PANEL	25. 8505	Rear wheel stud	19. 0660
MOTOR:		Retaining, main drive gear bearing	17. 1200
Defroster blower	25. 6585	Retaining, trans. countershaft rear brg.	17. 1475
Heater	25. 6590	Steering arm	1. 0350
Air, throttle control	26. 7450	Steering gear bevel gear	16. 3090
Starting	7. 2000	Steering gear pitman arm ball stud	16. 0750
Starting (Air cond.)	26. 5330	Steering gear pitman shaft	16. 0775
Windshield wiper	25. 8705	Steering gear pitman shaft arm	16. 0760
MOULDING:		Steering knuckle king pin	1. 0150
Drip	25. 3265	Steering shaft worm ball	16. 0530
Front end	25. 0125	Steering wheel	16. 0910
Side trim	25. 2200	Steering worm shaft	16. 0535
Wheelhouse	25. 2260	Tie rod end ball stud	1. 0460
MUFFLER:		Transmission mainshaft	17. 0520
Air comp. discharge	4. 5620	Transmission output shaft	17. 3870
Exhaust	12. 6510	Transmission countershaft front brg.	17. 1477
Exhaust (Air Cond.)	26. 8230	Universal joint flange	18. 0430
		Valve & injector push rod lock	8. 0990
		Water pump shaft	6. 2240

ALPHABETICAL INDEX

Description	Group No.	Description	Group No.
N		P	
NUT (CONT'D.):		PIN (CONT'D.):	
Wheel lock	19.0040	Anchor, parking brake shoe	4.6637
Windshield wiper arm	25.8710	Brake shoe anchor	4.0170
O		Brake shoe roller	4.0030
OILER - starting motor	7.2430	Brake shoe return spring	4.0190
ORIFICE - engine connecting rod	8.1910	Brake treadle	4.5870
OUTLET - W/S defroster	25.6635	Clutch release brg. guide	5.0310
P		Door operating handle knob	25.5215
PAN - oil, engine	8.2900	Rear end closure door hinge	25.1775
PAN - battery compartment	25.2703	Dowel, brake camshaft bushing	4.0647
PANEL:		Dowel, rear axle locating	14.0380
Air cleaner duct & silencer	12.7560	Dowel, tie rod end	1.0465
Air duct	25.7250	Dowel, transmission case	17.0425
Air duct insulation retainer	25.7255	Dowel, flywheel housing	8.2080
Baggage compartment door	25.2890	Dowel, front wheel brg. adj. nut	19.0338
Baggage rack closure	25.8350	Dowel, rear wheel brg. adj. nut	19.0675
Blower compartment	26.2810	Dowel, slack adjuster worm lock	4.0775
Dash	25.0235	Drive	20.0565
Driver's partition	25.7940	Engine oil pump gear	8.3730
Driver's trim	25.7930	Engine piston	8.1930
Driver's window	25.5525	Fuel injector follower	12.6280
Front body	25.0075	Fuel injector plunger	12.6285
Front compartment	25.0690	Gear shift lever	17.3140
Front door	25.4695	Generator cover band	7.3445
Inspection door	25.2415	Governor fulcrum lever	12.5450
Instrument	7.5088	Injector follower stop	12.6290
Junction	7.7330	King, steering knuckle	1.0040
Modesty	25.8505	Lock, steering knuckle king pin	1.0180
Reading lamp	25.7770	Parking brake shoe roller	4.6646
Rear end closure door	25.1770	Parking brake shoe	4.6645
Rear side closure door	25.1535	Radiator shutter block bearing	6.3008
Rear seat back	25.5970	Rear axle radius rod	14.0390
Rear target sign	25.1773	Shock absorber	14.0310
Rear window	25.5770	Starting motor shift lever	7.2470
Roof (Top)	25.3220	Thrust, governor	12.4910
Roof crown	25.3225	Transmission mainshaft bushing	17.0825
Safety door	25.4945	PIPE - air cleaner	12.7570
Side	25.2165	Exhaust	12.6780
Side trim	25.8120	Generator air cleaner	7.3453
Side window	25.5660	Radiator	6.1860
Stepwell	25.4020	Heater	25.6970
Stepwell support	25.4025	Tail	12.6800
Tire compartment	25.0845	PISTON:	
Tire compartment door	25.0850	Air compressor	4.5430
Trim, roof	25.7790	Clutch control cylinder	5.1160
Windshield	25.0165	Engine	8.1920
PAWL:		Engine (Air cond.)	26.6590
Parking brake hand lever	4.7180	Injector control cylinder	12.6295
Destination sign door fastener lock	25.3453	Shock absorber	14.0311
Safety door lock	25.4950	PLATE:	
PEDAL - clutch	5.0690	Anchor, radius rod	14.0400
PIN:		Blower housing end	8.2690
Escutcheon	20.0570	Clutch	5.0091
Cotter	20.0550	Cover, engine timing gear	8.2320
Straight	20.0590	Drive, clutch	5.0093
Dowel	20.0560	Engine cylinder block end	8.0500
Groove	20.0580	Misc. switches	7.6545
Taper	20.0600	Non-pressure, brake chamber	4.0985
Yoke	20.0610	Ornamental, front end	25.0175
PINION - differential	2.0950	Pressure, brake chamber	4.0990
Speedometer	7.5257	Pressure, clutch	5.0100
Starting motor drive	7.2490	Scuff, safety door	25.4980
PIN:		Scuff, side trim panel	25.8125
Air application valve roller	4.3350	Starting motor brush	7.2520
Air comp. piston	4.5425	Striker, front license plate cover lock	25.0580
		Striker, baggage compartment door	25.2920
		Striker, compt. door lock	25.3128
		Striker, destination sign header	25.3560
		Striker, safety door lock	25.4985

ALPHABETICAL INDEX

Description	Group No.	Description	Group No.
P		R	
PLATE (CONT'D.):		REGULATOR:	
Thrust, camshaft	8. 1350	Front door sash	25. 4715
Tread, wheelhouse	25. 2270	Driver's window sash	25. 5533
PLUG:		Side window sash	25. 5665
Button	20. 0615	Voltage and current	7. 4630
Expansion	20. 0620	RELAY:	7. 7340
Pipe	20. 0630	Fuel pump & ignition	26. 6135
Air compressor cyl. block	4. 5440	Magneto to cutout	26. 6140
Air compressor crankcase	4. 5435	Voltage and current regulator	7. 4769
Axle housing	2. 0120	RESISTOR	7. 7345
Camshaft	8. 1360	REST - heel, accelerator	8. 5580
Diff. carrier	2. 0540	RETAINER:	
Drain, engine oil pan	8. 2970	Air compressor brg.	4. 5452
Engine crankshaft	8. 1640	Air compressor piston pin	4. 5455
Engine cylinder block	8. 0510	Blower compartment	26. 2850
Engine cylinder head	8. 0660	Blower rotor bearing	8. 2720
Expansion, steering knuckle	1. 0190	Blower drive coupling	8. 2710
Fuel tank	12. 0255	Clutch pilot bearing	5. 0352
Spark (Air cond.)	26. 5985	Countershaft rear bearing	17. 1505
Steering gear bevel gear housing	16. 3140	Countershaft front bearing	17. 1503
Steering gear housing	16. 0370	Destination sign glass	25. 3460
Steering drag link end	16. 1020	Engine piston pin	8. 1960
Tie rod end	1. 0470	Engine idler gear bearing	8. 2350
Transmission case	17. 0440	Engine camshaft or balance gear nut	8. 2330
Transmission mainshaft	17. 0522	Engine camshaft gear	8. 2330
Valve rocker arm shaft	8. 1020	Main drive gear bearing	17. 1215
PLUNGER:		Parking brake hand lever boot	4. 7235
Air application valve	4. 3360	Pinion shaft brg.	2. 1520
Engine stop magnet valve	7. 6675	Pinion shaft brg. oil seal	2. 1530
Fuel injector	12. 6300	Rear wheel brg. oil seal	19. 0700
Governor	12. 5490	Strg. prop. shaft journal gasket	16. 3280
Solenoid	7. 6130	Strg. gear bevel gear brg. seal	16. 3110
Transmission shift fork	17. 2370	Trans. output shaft	17. 3890
POST:		Trans. mainshaft bearing	17. 0525
Front body	25. 0010	Trans. bevel gear bearing	17. 3880
Lower side	25. 2105	Universal joint journal brg. gasket	18. 0250
Roof upper	25. 3200	RIM - reading lamp	7. 1610
PULLEY:		RING SET:	
Engine fan drive	26. 6820	Air compressor piston	4. 5480
Fan drive (On crankshaft)	26. 5040	Engine piston	8. 1950
PUMP:		Engine piston (Air cond.)	25. 6615
Engine oil	8. 3440	RING:	
Engine water (Air cond.)	26. 4840	Air application valve diaphragm	4. 3365
Engine oil (Air cond.)	26. 7140	Air cleaner manifold	12. 7630
Engine water	6. 2080	Air comp. crankshaft	4. 5465
Fuel (Air cond.)	26. 7715	Bead, air suspension bellows	14. 0080
Fuel - diesel	12. 1610	Clamping, brake chamber	4. 0993
R		Engine piston	8. 1940
RACK - fuel injector	12. 6310	Engine piston (Air cond.)	26. 6610
RADIATOR	6. 0005	Engine support	8. 0201
Engine (Air cond.)	26. 4700	Fog lamp	7. 1498
Voltage and current regulator	7. 4768	Generator drive gear	7. 3574
RAIL:		Girdle, air suspension bellows	14. 0090
Baggage rack	25. 8375	Horn contact	7. 7085
Driver's guard	25. 8615	Injector control cylinder	12. 6325
Rub	25. 2290	Lock, camshaft intermediate brg.	8. 1380
Seat	25. 5997	Lock, engine piston pin	8. 1970
Shift gear shift lever	17. 3220	Lock, front wheel brg. adj. nut	19. 0380
REAR AXLE	2. 0010	Lock, pinion shaft brg.	2. 1540
REAR END	25. 0975	Lock, tie rod end plug	1. 0490
REAR LICENSE MOUNTING	25. 1160	Lock, slack adjuster	4. 0825
REAR WINDOW	25. 5755	Lock, strg. drag link end plug	16. 1030
RECTIFIER - tell-tale buzzer	7. 7343	Mounting, head lamp	7. 0170
REFLECTOR	25. 9045	Retaining, head lamp	7. 0180
Directional lamp	7. 1852	Seal, engine cylinder block	8. 0515
Fog lamp	7. 1497	Seal, fuel injector body	12. 6330
Stop lamp	7. 0855	Seal, fuel injector hole tube	12. 6340
		Seat, engine exhaust valve	8. 0790
		Snap, trans. mainshaft bearing	17. 0545

ALPHABETICAL INDEX

Description	Group No.	Description	Group No.
R		S	
RING (CONT'D.):		SCREEN (CONT'D.):	
Snap, trans. countershaft gear	17.1530	Oil, trans. case oil reservoir cover	17.0447
Snap, trans. bevel gear bearing	17.3900	Radiator shutter air filter	6.3065
Water pump body	6.2295	SCREW:	
Wheel rim side	19.0090	Adj., brake treadle	4.5900
RISER - governor	12.5520	Adj., injector rack control lever	12.6350
RIVET:		Adj., head lamp	7.0200
ctsk. hd. tubular	20.0640	Adj., crankcase ventilation valve	8.3310
Oval hd. tubular	20.0660	Adj., clutch release lever	5.0124
Flat hd. solid	20.0645	Adj., steering gear pitman shaft	16.0797
Mushroom hd.	20.0650	Adj., air application valve lever	4.3380
Rd. hd. pointed solid	20.0670	Adj., air compressor unloading	4.5510
Rd. hd. solid	20.0680	Adj., air governor	4.4925
Clutch facing	5.0120	Adj., air pressure reg. valve spring	4.3714
ROD:		Adj., parking brake shoe	4.6664
Accelerator control	8.5600	Brake pedal stop	4.5905
Battery hold down	7.8010	Governor low speed spring	12.5530
Brake control	4.5895	Head lamp door	7.0210
Clutch control	5.0750	Set - square hd.	20.0710
Clutch housing	8.0203	Set - headless slotted	20.0690
Connecting, air compressor	4.5500	Set - hex. socket	20.0700
Connecting, engine	26.6575	Set - governor weight	12.5580
Door operating	25.5230	Set, wheel brake camshaft	4.0665
Engine oil level gauge	26.7060	SEALED BEAM - headlamp	7.0250
Injector control	12.6345	SEAL:	
Parking brake control	4.7260	Air cleaner air intake	12.7680
Parking brake hand lever pawl	4.7265	Baggage compartment door	25.2975
Push, brake chamber	4.1000	Brake chamber push rod	4.1003
Push, injector control cylinder piston	12.6347	Front door	25.4780
Push, valve	8.1060	Engine stop magnet valve	7.6676
Push, valve & injector	8.1070	Oil, blower rotor shaft	8.2770
Radiator shutter control	6.3058	Oil, engine crankshaft	8.1670
Radiator shutter air cylinder piston	6.3054	Oil, front wheel bearing	19.0410
Radius	14.0330	Oil, fuel pump	12.1750
Shift, transmission 1 st & 2nd	17.2020	Oil, generator drive	7.3600
Shift, transmission 3rd & 4th	17.2040	Oil, injector control cylinder	12.6355
Shift, transmission reverse	17.2060	Oil, pinion shaft brg.	2.1610
Solenoid	7.6140	Oil, rear wheel brg.	19.0740
Tie, steering-less ends	1.0400	Oil, strg. gear bevel gear brg.	16.3120
Transmission oil level	17.0446	Oil, strg. gear pitman shaft	16.0810
Transmission remote control	17.3340	Oil, trans. drive gear bearing cap	17.1250
ROLLER:		Oil, trans. output shaft	17.3910
Air application valve	4.3370	Oil, trans. top control	17.3395
Brake shoe	4.0045	Radiator	6.0390
Brake treadle	4.5898	Radiator shutter	6.3064
Clutch release lever	5.0123	Safety door	25.5040
Directional lamp switch	7.6577	Strg. column toe panel	16.0200
Governor differential lever cam	12.5525	Strg. shaft	16.0600
Parking brake shoe	4.6662	Water pump	6.2330
Valve & injector cam follower	8.1080	Wheel brake camshaft brg.	4.0670
ROTOR SET - blower	8.2460	SEATS	25.5820
ROTOR:		SEAT:	
Blower	8.2740	Air compressor valve	4.5525
Compressor	26.8465	Air pressure regulating valve	4.3715
Distributor housing	26.5630	Blower drive coupling spring	8.2780
Magneto	26.5860	Exhaust valve spring	8.0800
RUB RAILS	25.2290	Governor fuel modulating spring	12.5595
		Relay valve diaphragm spring	4.3610
		Safety valve spring	4.3695
		Strg. drag link ball	16.1050
		Strg. drag link end spring	16.1070
		Strg. shaft upper brg. spring	16.0610
		Tie rod end ball stud	1.0520
		Valve & injector push rod follower	8.1110
SAFETY DOOR	25.4825	SECTOR - parking brake	4.7315
SAFETY EQUIPMENT	25.9155	SEPARATOR - oil, air cond.	26.9590
SASH:		SHAFT:	
Driver's window	25.5465	Axle	2.0170
Front door window	25.4770	Balance	8.1390
Side window	25.5615		
SCREEN:			
Air conditioning compartment	26.2885		
Engine blower	8.2745		

ALPHABETICAL INDEX

Description	Group No.	Description	Group No.
S		S	
SHAFT (CONT'D.):		SHROUD:	
Blower drive	8. 2790	Air cond. condenser fan	26. 9305
Clutch lever	5. 0780	Radiator	6. 1320
Clutch release fork	5. 0800	SHUTTER - radiator	6. 2750
Cross, parking brake	4. 7320	SIDEMEMBER - radiator	6. 0175
Distributor (Air cond.)	26. 5880	SLEEVE - threaded	20. 0730
Door operating handle	25. 5255	SLEEVE KIT - engine cylinder	8. 0410
Drive, fuel pump	12. 1757	SLEEVE:	
Drive, tachometer	7. 5860	Axle housing	2. 0150
Driven, fuel pump	12. 1753	Ball	20. 0720
Engine idler pulley	26. 6865	Cam, governor fuel modulating	12. 5645
Engine idler pulley bracket	26. 6870	Clutch release	5. 0140
Engine oil pump	8. 3800	Engine cylinder	8. 0530
Engine oil pump (Air cond.)	26. 7320	Starting motor shift	7. 2660
Engine water pump	26. 5105	Stop, transmission shift rod	17. 2505
Governor lever	26. 5110	Trans. drive gear brg. cap seal	17. 1265
Governor operating	12. 5610	Trans. oil level rod	17. 0455
Governor throttle	12. 5620	SLINGER:	
Governor weight	12. 5630	Dust, output shaft	17. 3935
Pitman, steering gear	16. 0700	Generator external gear	7. 3615
Propeller, steering	16. 3190	Oil, engine crankshaft	8. 1680
Rear axle	2. 0170	Oil, water pump drive	6. 2360
Rock, gear shift lever	17. 3450	Oil, water pump bearing	6. 2350
Rocker arm	8. 1120	Universal joint flange	18. 0450
Shift, trans. top control	17. 3455	SOCKET:	
Slack adjuster worm	4. 0830	Directional lamp	7. 1858
Speedometer	7. 5290	Marker lamp	7. 1235
Starting motor drive	26. 5465	Stepwell lamp	7. 1425
Steering	16. 0400	Tail lamp	7. 0900
Steering gear pinion	16. 3130	Wheel nut wrench	22. 0120
Stub, steering propeller shaft	16. 3310	Wiring	7. 8367
Trans. oil pump drive gear	17. 1900	SOLENOID	7. 5960
Trans. oil pump driven gear	17. 1890	SOLENOID - automatic choke control	26. 7470
Trans. reverse idler gear	17. 1750	SPACER - front wheel brg.	19. 0440
Water pump (Air cond.)	26. 5115	Pinion shaft brg.	2. 1670
SHELL:		Rear whed brg. oil seal	19. 0810
Air cleaner	12. 7690	Trans. bevel pinion	17. 3940
Engine oil filter	8. 4270	SPIDER:	
Fuel filter	12. 1010	Brake	4. 0310
SHIELD:		Differential	2. 1030
Drip, fuel pump	12. 1758	Steering shaft universal joint yoke	16. 0620
Dust, engine	25. 1320	SPRING:	
Oil, front wheel brake drum	19. 0420	Accelerator return	8. 5720
Oil, rear wheel brake drum	19. 0760	Air application valve diaphragm return	4. 3405
Parking brake	4. 6680	Air application valve plunger	4. 3410
SHIM:		Air compressor unloading valve	4. 5555
Air compressor diaphragm follower	4. 5527	Air compressor discharge valve	4. 5545
Air governor	4. 4930	Air governor	4. 4940
Blower motor gear	8. 2800	Air suspension check valve	14. 0680
Engine cylinder sleeve	8. 0520	Blower drive coupling	8. 2830
Governor high speed spring	12. 5640	Brake chamber push rod	4. 1010
Main drive gear bearing cap	17. 1255	Brake shoe return	4. 0330
Pinion shaft brg. cage	2. 1630	Clutch pedal	5. 0840
Strg. gear bevel gear housing	16. 3150	Clutch pressure plate	5. 0150
Steering knuckle	1. 0240	Clutch release brg. pull back	5. 0370
Steering gear housing	16. 0390	Crankcase ventilation valve	8. 3340
Trans. output shaft brg. retainer	17. 3930	Engine oil filter	8. 4310
Trans. output shaft brg. cone	17. 3920	Engine oil pressure relief valve	8. 3960
Trans. mainshaft rear brg. cap	17. 0585	Engine stop magnet valve plunger	7. 6678
SIDE	25. 2105	Exhaust valve	8. 0820
SIDE PANELS	25. 2165	Front balance weight	8. 1410
SIDE WINDOW	25. 5615	Fuel filler door	25. 2525
SIGN - front destination	25. 3385	Fuel filter	12. 1050
SHOCK ABSORBER (Air suspension)	14. 0250	Fuel injector control tube	12. 6390
SHOE:		Fuel injector filter element	12. 6400
Brake	4. 0005	Fuel injector spray tip valve	12. 6420
Parking brake	4. 6685	Fuel pump rotor vane	12. 1760
Pole, generator	7. 3620	Fuel pump valve	12. 1770
Pole, starting motor	7. 2650	Gear shift lever ball	17. 3570

ALPHABETICAL INDEX

Description	Group No.	Description	Group No.
S		S	
SPRING (CONT'D):		STUD (CONT'D.)	
Gear shift lever support	17.3640	Axle shaft	2.0310
Generator brush	7.3650	Ball, inside rear view mirror	25.8955
Governor - diesel	12.5660	Ball, tie rod end	1.0560
Head lamp door	7.0330	Ball, steering drag link	16.1120
Horn button	7.7150	Battery hold down	7.8090
Injector control cylinder	12.6425	Brake chamber	4.1020
Parking brake hand lever	4.7400	Brake spider	400357
Parking brake shoe	4.6735	Clutch housing	5.1030
Parking brake slack adjuster	4.6738	Diff. brg. cap	2.0570
Radiator shutter air cylinder	6.3106	Diff. carrier	2.0580
Relay valve diaphragm	4.3625	Engine cylinder head cover	8.0670
Relay valve supply valve	4.3630	Engine cylinder head to block	8.0680
Release, parking brake band	4.6745	Engine manifold	8.5110
Solenoid	7.6170	Engine oil filter	8.4330
Starting motor brush holder	7.2670	Engine water outlet manifold	6.1960
Starting motor shift lever return	7.2690	Front wheel hub and drum	19.0460
Stop lamp lens	7.0957	Fuel injector clamp	12.6440
Steering drag link end	16.1110	Generator to flywheel housing	7.3686
Steering drag link brg. adjuster	16.1105	Parking brake bracket	4.6776
Steering shaft upper brg.	16.0630	Pinion shaft bearing cage	2.1700
Tail lamp socket	7.0955	Radius rod bracket	14.0420
Tension, clutch release lever	5.0154	Rear wheel and hub	19.0830
Tie rod end cover	1.0550	Starting motor	7.2710
Tie rod end ball stud adjusting	1.0540	Steering gear bevel gear housing	16.3160
Trans. oil pump relief ball	17.1910	Transmission mounting	17.0315
Trans. shift fork shift rod poppet ball	17.2540	Transmission rear bearing cap	17.0610
Trans. shift fork reverse latch plunger	17.2560	Transmission output shaft brg. cap	17.3970
Valve	8.0820	Transmission oil pump	17.1924
Valve & injector push rod follower	8.1130	Transmission case	17.0457
Valve rocker arm shaft	8.1140	Wheel brake camshaft bracket	4.0680
Voltage & current regulator	7.4850		
Wiring connector	7.8370	SUPPORT:	
STANCHION	25.8545	Air suspension	14.0110
STARTING MOTOR	7.2000	Air tank	4.5050
STEERING ARM	1.0320	Battery	7.8100
STEERING GEAR	6.0010	Blower drive	8.2840
STEERING KNUCKLE	1.0030	Engine	8.0250
STEPWELL - front	25.3890	Fuel tank	12.0370
STOP:		Head lamp	7.0370
Accelerator control rod lever	8.5745	Radiator	6.0450
Air compressor unloading valve	4.5565	Surge tank	6.1970
Battery tray	7.8055	SUN VISOR	25.9025
Brake pedal	4.5990	SWITCH:	
Bumper	11.0565	Defroster	7.6244
Clutch release fork	5.0890	Door	7.6246
Front entrance switch operating rod	7.6637	Drivers fan	7.6247
Fuel injector valve	12.6430	Head lamp dimmer	7.6280
Solenoid contact plate	7.6175	Head lamp	7.6270
Spare wheel carrier clamp	19.1055	Heater	7.6290
Transmission shift fork	17.2575	Low air pressure buzzer indicator	7.6320
STRAINER - air governor	4.4945	Low oil pressure	7.6325
Air line	4.6437	Low oil pressure (Air cond.)	26.6010
Air suspension check valve filter	14.0690	Misc. lamp	7.6240
Air suspension air filter	14.0750	Passenger signal	7.6335
Compressor	26.8515	Pressure cut-out	26.6015
Roof	25.3215	Reverse solenoid	7.6337
Windshield wiper air line	25.8750	Starting motor	7.6350
STRAP:		Starting motor (Air cond.)	26.6020
Air tank support	4.5045	Stop & diesel control	7.6345
Battery ground	7.8170	Stop lamp	7.6360
Brake shoe anchor pin	4.0345	Test	26.6025
Fuel tank	12.0360		
Lock, universal joint bearing	18.0330	T	
Miscellaneous ground	7.8176	TAIL PIPE	12.6800
STRIKER (See Plate)		TANK:	
STUD:		Air	4.5010
Air cleaner mounting	12.7740	Air, air suspension	14.0460
Air comp. cyl. block	4.5573	Fuel	12.0010

ALPHABETICAL INDEX

Description	Group No.	Description	Group No.
T		V	
TANK (CONT'D.)		VALVE (CONT'D.):	
Fuel (Air cond.)	26. 7510	Air compressor unloading	4. 5590
Radiator	6. 0165	Air compressor discharge	4. 5585
Surge, radiator	6. 1980	Air governor	4. 4950
Surge, engine radiator (Air cond.)	26. 4820	Brake supply	4. 3505
TEE:		Brake relay	4. 3500
Inv. flared tube	20. 0740	Check, air suspension air tank	14. 0615
Air line	25. 7600	Check, air suspension height control	14. 0620
Air beam crossmember support	25. 4260	Check, fuel injector spray tip	12. 6480
Air brake line	4. 6445	Check, fuel tank	12. 0405
Air compressor oil line	8. 4835	Compressor	26. 8525
Air horn	7. 7185	Engine	26. 6310
Fuel line junction	12. 0770	Exhaust, air application valve	4. 3425
Heater pipe	25. 7360	Fuel	26. 7775
Radiator shutter air line to governor	6. 3185	Fuel, carburetor	26. 8020
Stanchion	25. 8630	Fuel injector spray tip	12. 6490
Windshield wiper air line	25. 8760	Fuel line	12. 0780
TERMINAL - wiring	7. 8390	Fuel pump	12. 1790
THERMOSTAT:		Heater control	25. 7615
Engine	6. 2020	Horn operating	7. 7190
Engine radiator	26. 4820	Intake, air application valve	4. 3430
Radiator shutter	6. 3190	Leveling, air suspension height control	14. 0120
TIP - spray, fuel injector	12. 6450	Magnet, engine stop	7. 6674
TOP - gear shift lever control tower	17. 3720	Pressure, radiator surge tank	6. 2065
TOWER - gear shift remote control lever	17. 3735	Pressure, surge tank filler cap (Air cond.)	26. 4830
TRANSMISSION - mechanical	17. 0010	Regulating, air pressure	4. 3708
TREAD - stepwell	25. 4125	Relay valve supply	4. 3645
TREADLE - brake	4. 5995	Relief engine oil pressure	26. 7095
TUBE:		Relief, universal joint journal	18. 0350
Air cleaner	12. 7780	Safety, brake	4. 3660
Air comp. water	6. 2030	Shock absorber	14. 0314E
Drain, air box	8. 0560	Ventilating, engine crankcase	26. 7100
Drain, trans. brg. cap	17. 0616	VENTALARM - fuel tank	12. 0415
Engine oil level indicator	8. 3430	VENTALARM - fuel tank (Air cond.)	26. 7780
Engine support	8. 0255	VISOR - sun	25. 9025
Fuel injector hole	12. 6470		
Fuel injector rack control	12. 6460	W	
Oil, governor weight housing	12. 5667	WASHER - crankshaft fan hub bolt	6. 2737
Oil pressure	7. 5127	Engine cylinder head bolt	8. 0690
Propeller shaft	18. 0030	Flat	20. 0795
Radiator	6. 2060	Front wheel brg. oil seal	19. 0480
Shift, transmission top control	17. 3745	Front wheel stud nut	19. 0485
Steering drag link	16. 1130	Lock - internal tooth	20. 0815
Steering propeller shaft	16. 3320	Lock - external tooth	20. 0810
TURNBUCKLE:		Lock - countersunk tooth	20. 0800
door operating rod	25. 5297	Lock - spring	20. 0820
Parking brake rod	4. 7455	Pinion shaft nut	2. 1760
U		Rear wheel and hub stud nut	19. 0835
U-BOLT - air suspension air tank	14. 0520	Rear wheel brg. adj. nut	19. 0840
Air suspension brace to axle	14. 0230	Rear wheel brg. oil seal	19. 0850
Air tank support	4. 5055	Steering arm nut	1. 0395
Muffler	12. 6960	Steering knuckle spacing	1. 0270
Rear axle	14. 0240	Steering knuckle bearing	1. 0275
Steering column	16. 0270	Thrust, camshaft & balance shaft	8. 1430
Tail pipe	12. 6970	Thrust, diff. side gear	2. 1070
UNION:-		Thrust, diff. pinion	2. 1080
Ball sleeve tube	20. 0770	Thrust, engine crankshaft bearing	8. 1830
Inv. flared tube	20. 0790	Thrust, underfloor heater blower	25. 6945
Flared tube	20. 0780	Tie rod end dust cover	1. 0580
Fuel line	12. 0775	Tie rod end oil retaining	1. 0590
Air brake line	4. 6450	Universal joint slip yoke dust cap	18. 0495
Windshield wiper hose	25. 8763	WEATHERSTRIP:	
V		Driver's window sash	25. 5590
VALVE:		Front door sash	25. 4815
Air brake application	4. 3230	Side window sash	25. 5710
		WEDGE:	
		Dowel, axle shaft flange	2. 0330
		Engine insulator locating dowel	8. 0265

ALPHABETICAL INDEX

Description	Group No.	Description	Group No.
W		W	
WEIGHT:		WIRE:	
Balance, camshaft and balance shaft	8. 1440	Directional lamp	7. 1870
Distributor (Air cond.)	26. 5695	Driver's lamp	7. 1720
Engine camshaft or balance shaft gear	8. 2380	Marker lamp	7. 1255
Governor (Air cond.)	26. 5170	Miscellaneous	7. 8240
WEIGHT SET - governor	12. 5740	Stepwell door lamp	7. 1440
WHEEL:		WIRING:	
Blower	25. 6950	Fog lamp	7. 1520
Less locking ring	19. 0010	Head lamp	7. 0400
Steering	16. 0890	WORM - slack adjuster	4. 0880
WHEELHOUSE	25. 2225	WRENCH - wheel nut	22. 0170
WHISTLE - fuel tank	12. 0417		
WHISTLE - ventalarm (Air cond.)	26. 7785	Y	
WICK:		YOKE:	
Oil, starting motor	7. 2830	End, universal joint	18. 0395
Radiator shutter air filter	6. 3236	Engine support	8. 0267
WINDOWS	25. 5435	Flange, universal joint	18. 0400
WINDSHIELD	25. 5435	Slip, universal joint	18. 0405
WINDSHIELD WIPER	25. 8640	Steering propeller shaft	16. 3350
WIPER:		Steering shaft universal joint	16. 0680
Rear wheel brg. oil seal	19. 0855		
Universal joint flange oil seal	18. 0497		